

[54] **HAND SAW CARRYING CASE**  
[76] **Inventor: Carl Olsen, 889 Salem Rd.,  
Yorkstown Heights, N.Y. 10598**  
[\*\*] **Term: 14 Years**  
[21] **Appl. No.: 762,316**  
[22] **Filed: Aug. 5, 1985**  
[52] **U.S. Cl. .... D3/73; D3/30.1**  
[58] **Field of Search .... D3/30.1, 33, 35, 44,  
D3/66, 73, 50; 206/349; 224/234, 907**

2,560,383 7/1951 Carr ..... 206/349

**FOREIGN PATENT DOCUMENTS**

150741 12/1952 Sweden ..... 206/341

*Primary Examiner—Carmen H. Vales*  
*Attorney, Agent, or Firm—Berman, Aisenberg & Platt*

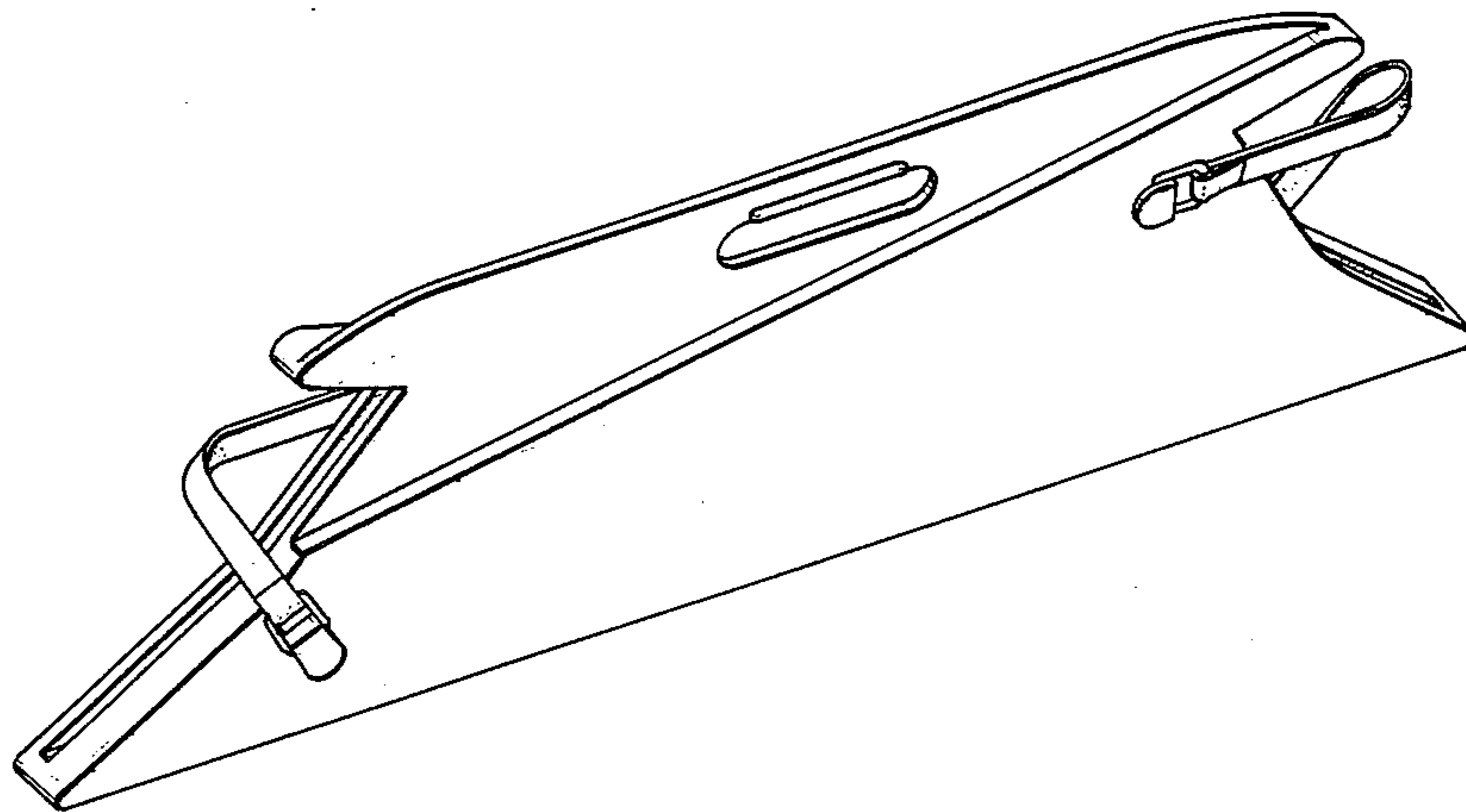
[57] **CLAIM**

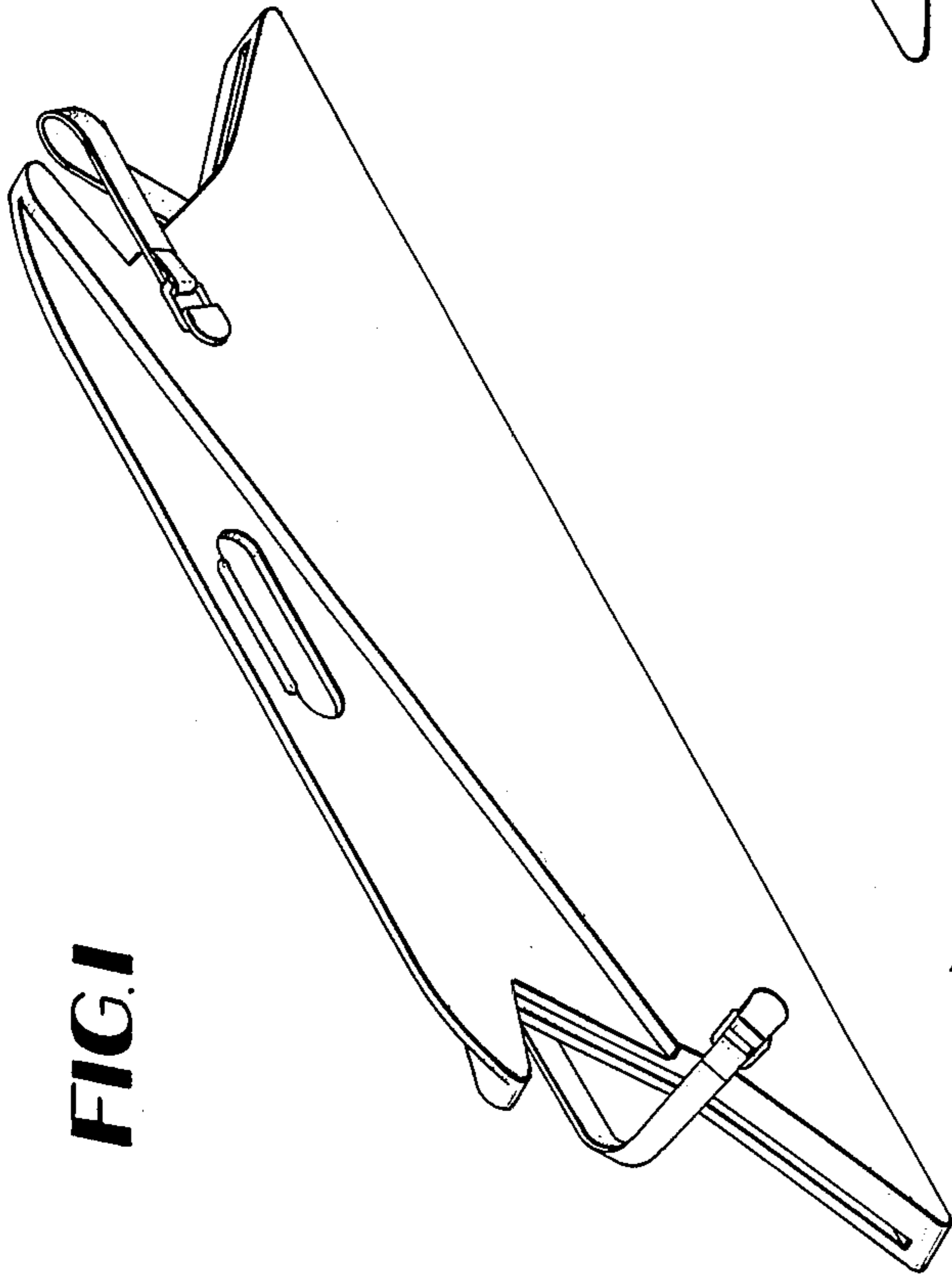
The ornamental design for a hand saw carrying case, as shown and described.

**DESCRIPTION**

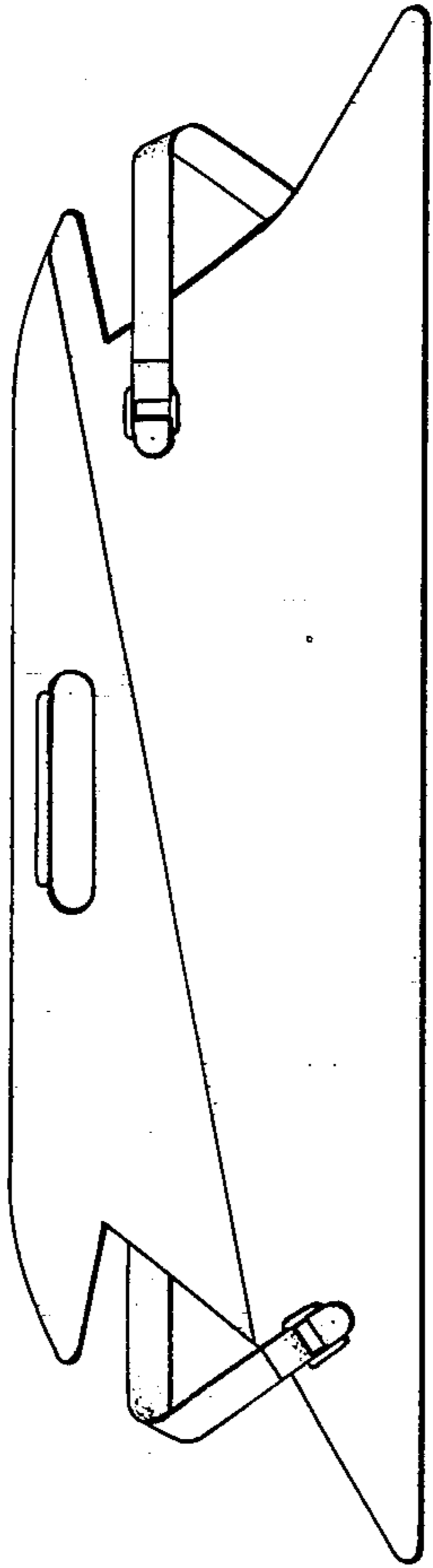
FIG. 1 is a perspective view of a hand saw carrying case, showing my new design;  
FIG. 2 is a front elevational view, the rear being identical thereto;  
FIG. 3 is a side elevational view, the opposite side being identical thereto;  
FIG. 4 is a top plan view thereof; and,  
FIG. 5 is a bottom plan view thereof.

[56] **References Cited**  
**U.S. PATENT DOCUMENTS**  
D. 230,529 2/1974 Bailey ..... D3/30.1  
D. 255,730 7/1980 McLean ..... D3/30.1  
D. 271,918 12/1983 Ramirez ..... D3/30.1 X  
292,369 1/1884 Schluchtner ..... 206/349 X  
2,524,110 10/1950 Kuemmerling ..... 206/349





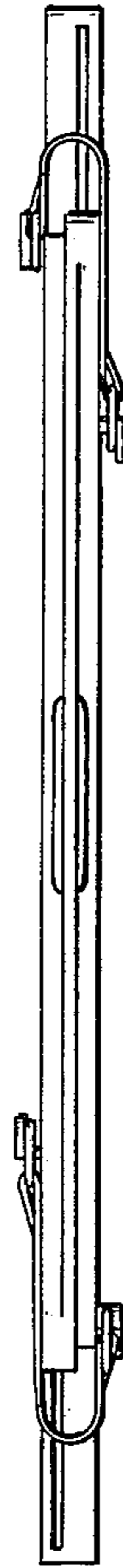
**FIG. 1**



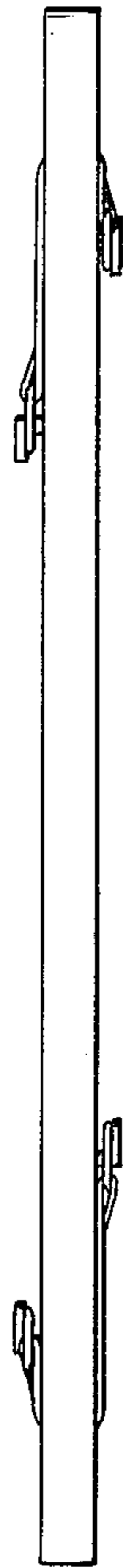
**FIG. 2**



**FIG. 3**



**FIG. 4**



**FIG. 5**