

[54] **BUTTONER**

[76] **Inventor:** Judy Mayer, No. 6 Northridge La., Sandy, Utah 84092

[\*\*] **Term:** 14 Years

[21] **Appl. No.:** 771,724

[22] **Filed:** Sep. 3, 1985

[52] **U.S. Cl.** ..... D2/643; D3/28

[58] **Field of Search** ..... D2/641, 642, 643, 699; D3/28; D7/106; 223/103, 104; 139/380

[56] **References Cited**

**U.S. PATENT DOCUMENTS**

D. 67,905 7/1925 Schnefel ..... D2/643  
D. 259,523 6/1981 Hopper ..... D3/28  
3,470,834 10/1969 Bone ..... 223/104 X

**FOREIGN PATENT DOCUMENTS**

23790 of 1911 United Kingdom ..... 139/380

**OTHER PUBLICATIONS**

*Housewares*, May 1, 1972, p. 8; Ice Pick on top left of page.

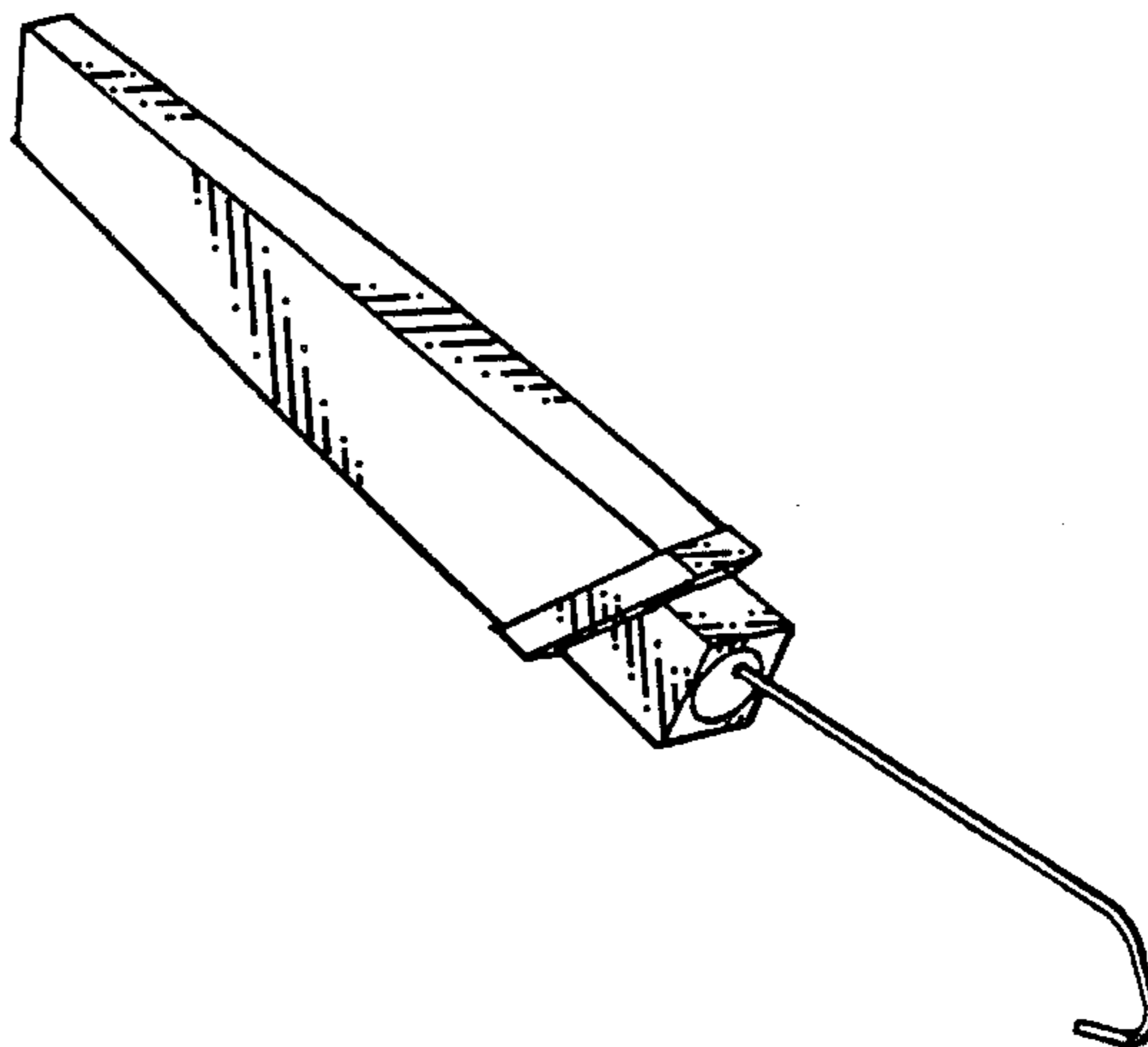
*Primary Examiner*—Carmen H. Vales  
*Attorney, Agent, or Firm*—M. Reid Russell

[57] **CLAIM**

The ornamental design for a buttoner, as shown and described.

**DESCRIPTION**

FIG. 1, is a front perspective view of the buttoner showing our new design;  
FIG. 2, is a front elevational view thereof;  
FIG. 3 is a bottom plan view thereof;  
FIG. 4 is a left side elevational view in reversed position;  
FIG. 5 is a rear elevational view thereof;  
FIG. 6 is a right side elevational view thereof; and  
FIG. 7 is a top plan view of FIG. 2.



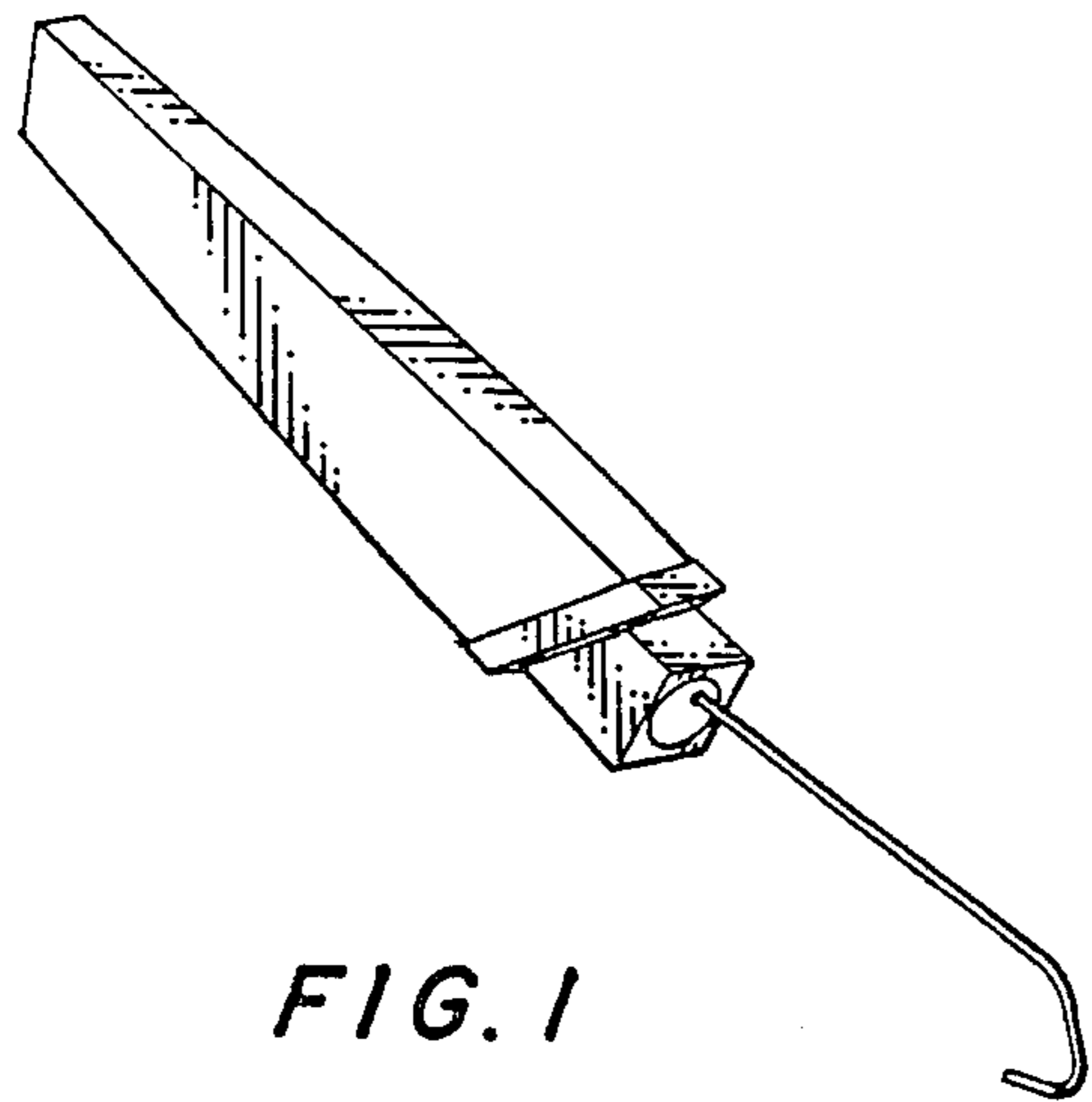


FIG. 1

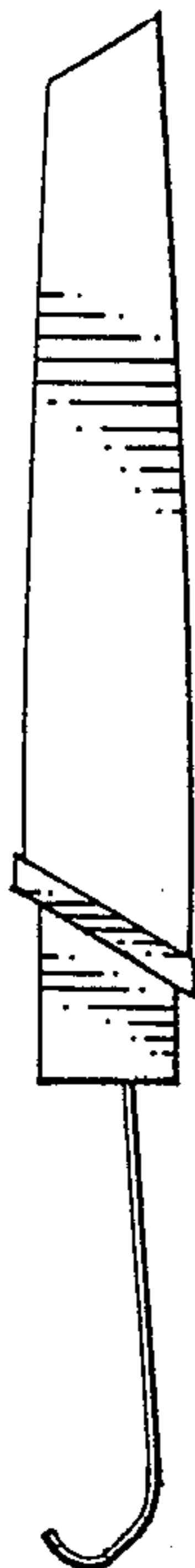


FIG. 2

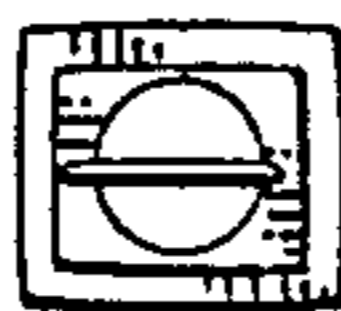


FIG. 3



FIG. 4



FIG. 5



FIG. 6



FIG. 7