

[54] **FLORAL DISPLAY STAND**

[76] **Inventor: Duane N. Baldwin, 3515 SW. 104th St., Seattle, Wash. 98146**

[**] **Term: 14 Years**

[21] **Appl. No.: 844,285**

[22] **Filed: Mar. 13, 1986**

[52] **U.S. Cl. D34/18; D34/23; D6/464; D6/465; D6/463**

[58] **Field of Search D34/12, 17, 18, 20, D34/21, 22, 23; D6/474, 464, 465, 463, 410; 211/13, 74, 60.1; 248/302, 303; 280/79.1**

[56] **References Cited**

U.S. PATENT DOCUMENTS

D. 206,737	1/1967	Brown	D6/464
D. 233,290	10/1974	Smith	D6/464
D. 244,571	6/1977	Cowan, Jr.	D6/474
2,591,362	4/1952	Koch	211/74
2,713,470	7/1955	Bodnar	248/302
4,204,602	5/1980	Dunchock	211/13
4,679,695	7/1987	Leff	211/74

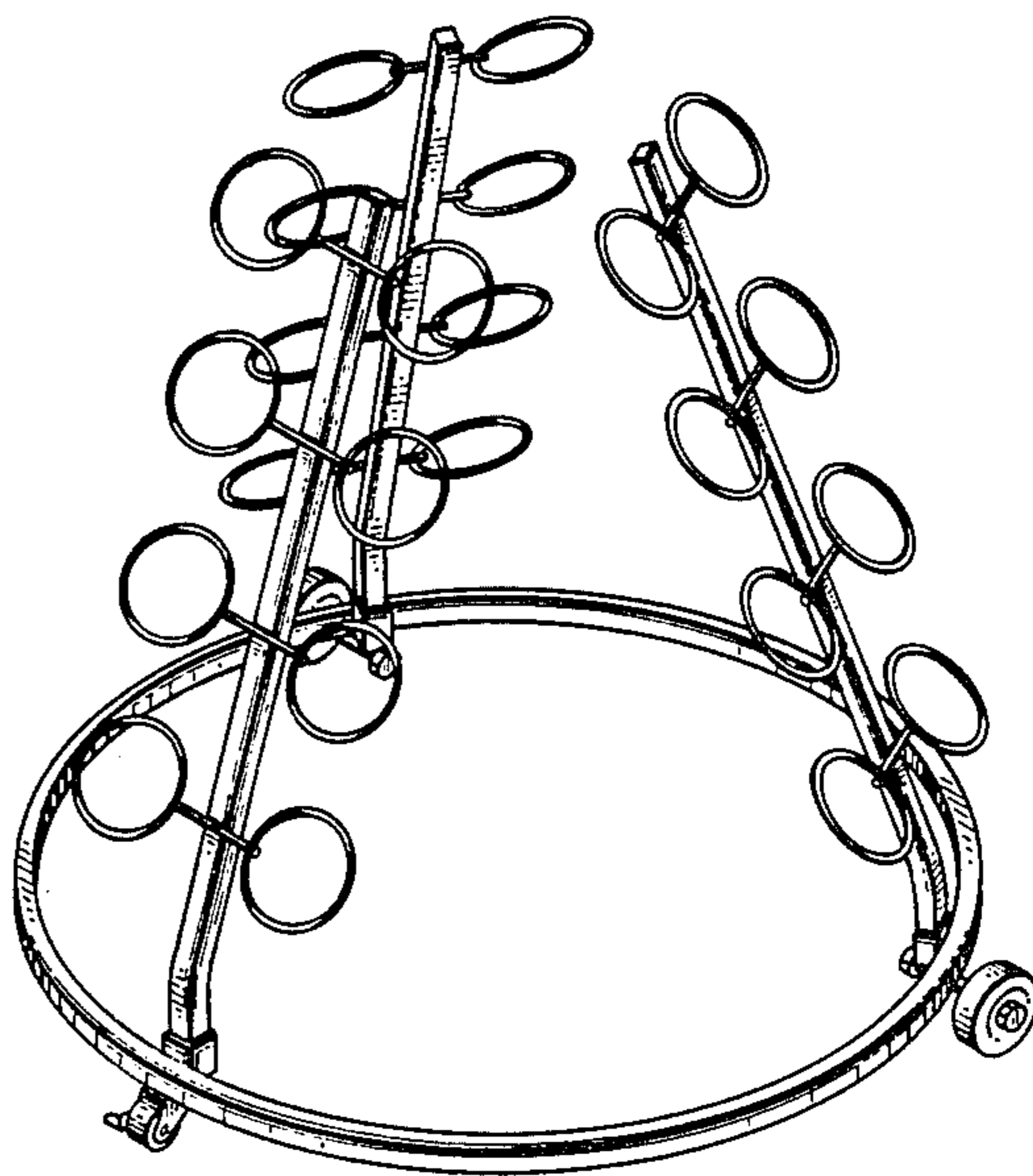
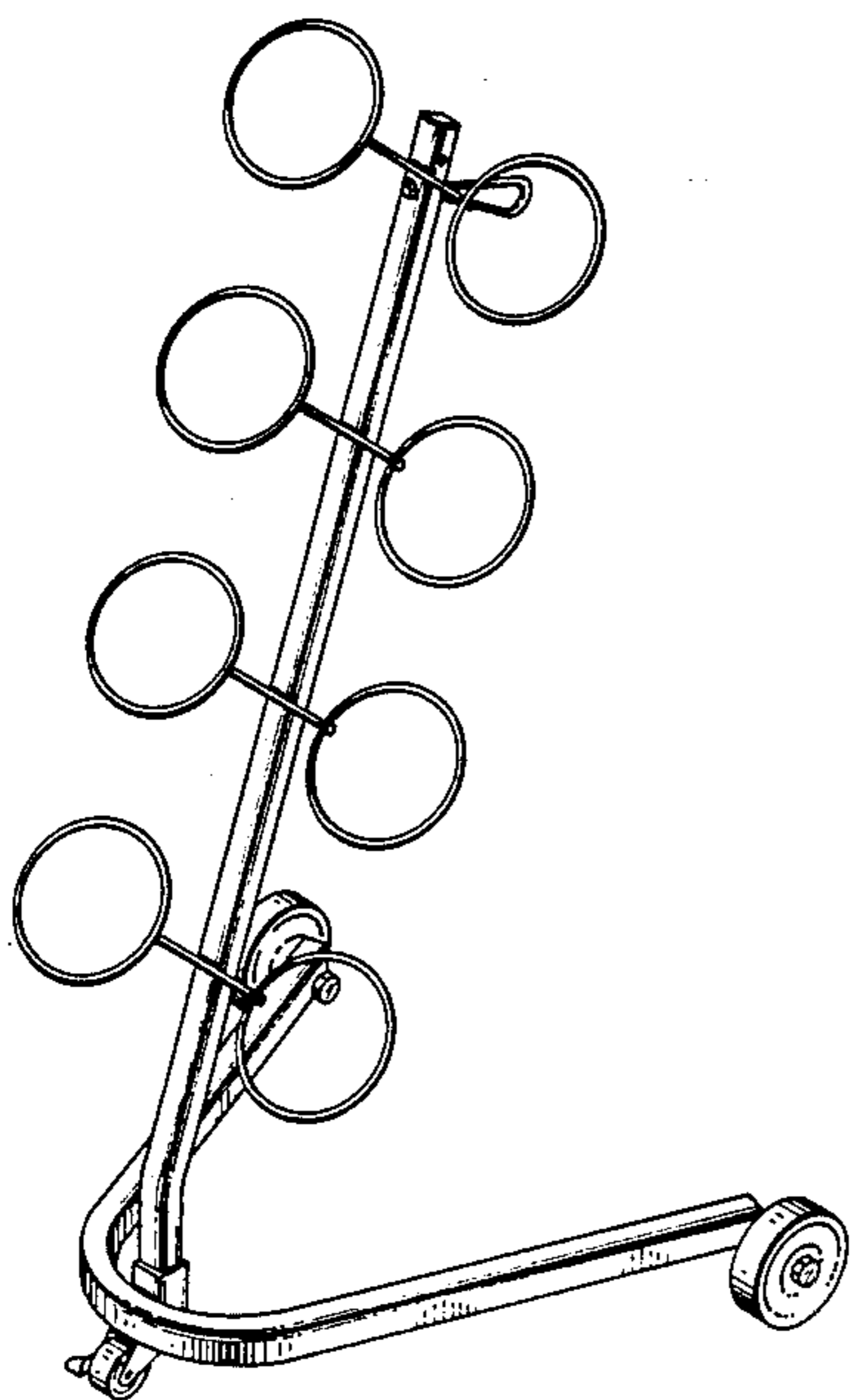
Primary Examiner—Wallace R. Burke
Assistant Examiner—Kay H. Chin
Attorney, Agent, or Firm—Graybeal, Jensen & Puntigam

[57] **CLAIM**

The ornamental design for a floral display stand, as shown and described.

DESCRIPTION

FIG. 1 is a perspective view of a floral display stand, showing my new design;
 FIG. 2 is a side elevational view thereof, the opposite side elevational view being a mirror image of that shown;
 FIG. 3 is a top plan view thereof;
 FIG. 4 is a bottom plan view thereof;
 FIG. 5 is a perspective view of a floral display stand showing a second embodiment;
 FIG. 6 is a side elevational view of FIG. 5, the opposite side elevational view being a mirror image of that shown;
 FIG. 7 is a top plan view of FIG. 5;
 FIG. 8 is a bottom plan view of FIG. 5;
 FIG. 9 is a perspective view of a floral display stand showing a third embodiment;
 FIG. 10 is a side elevational view of FIG. 5, the opposite side elevational view being a mirror image of that shown;
 FIG. 11 is a top plan view of FIG. 9;
 FIG. 12 is a bottom plan view of FIG. 9;
 FIG. 13 is a perspective view of a floral display stand showing a fourth embodiment;
 FIG. 14 is a side elevational view of FIG. 13, the opposite side elevational view being a mirror image of that shown;
 FIG. 15 is a top plan view of FIG. 13;
 FIG. 16 is a bottom plan view of FIG. 13.



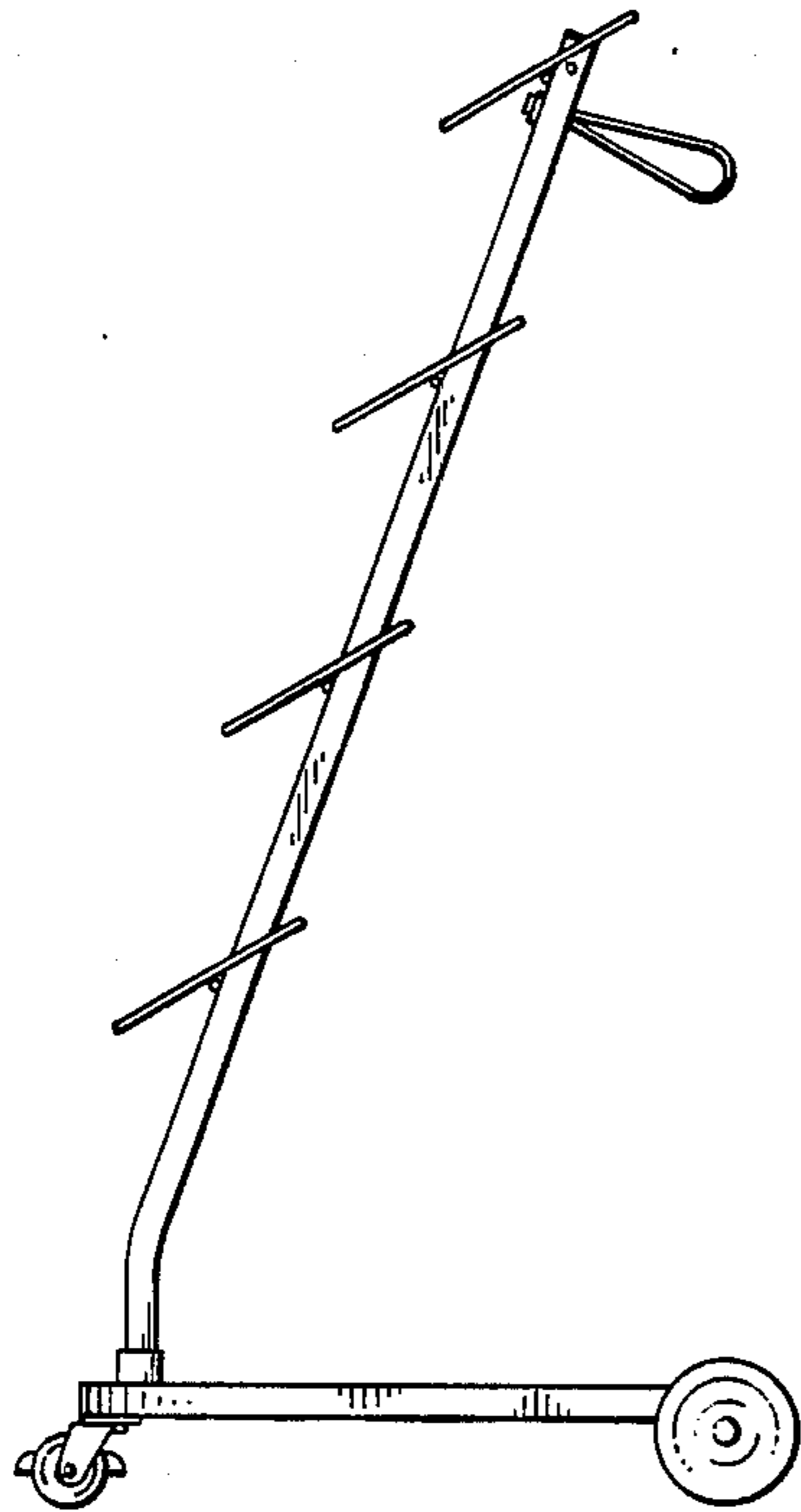


FIG. 2

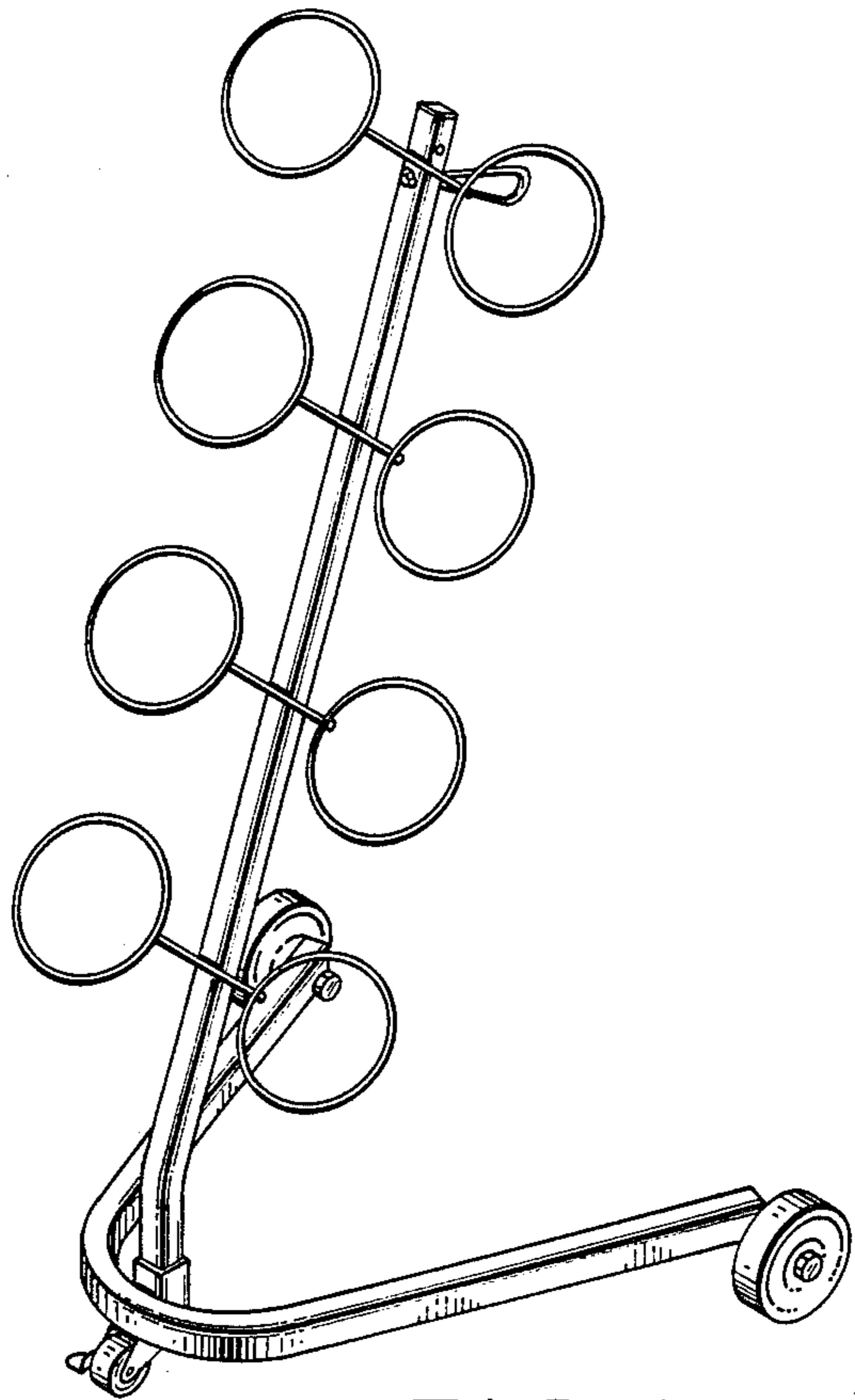


FIG. 1

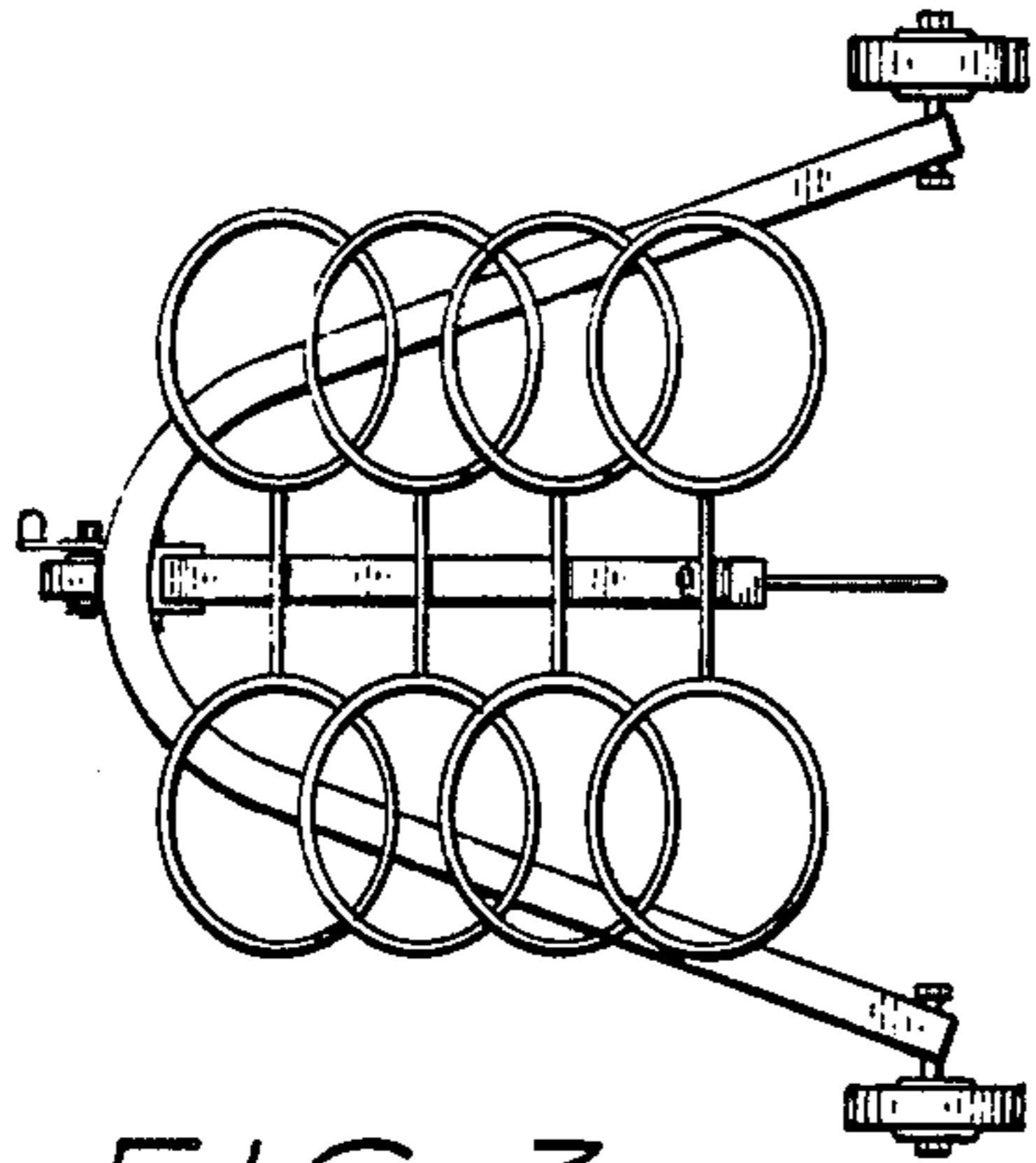


FIG. 3

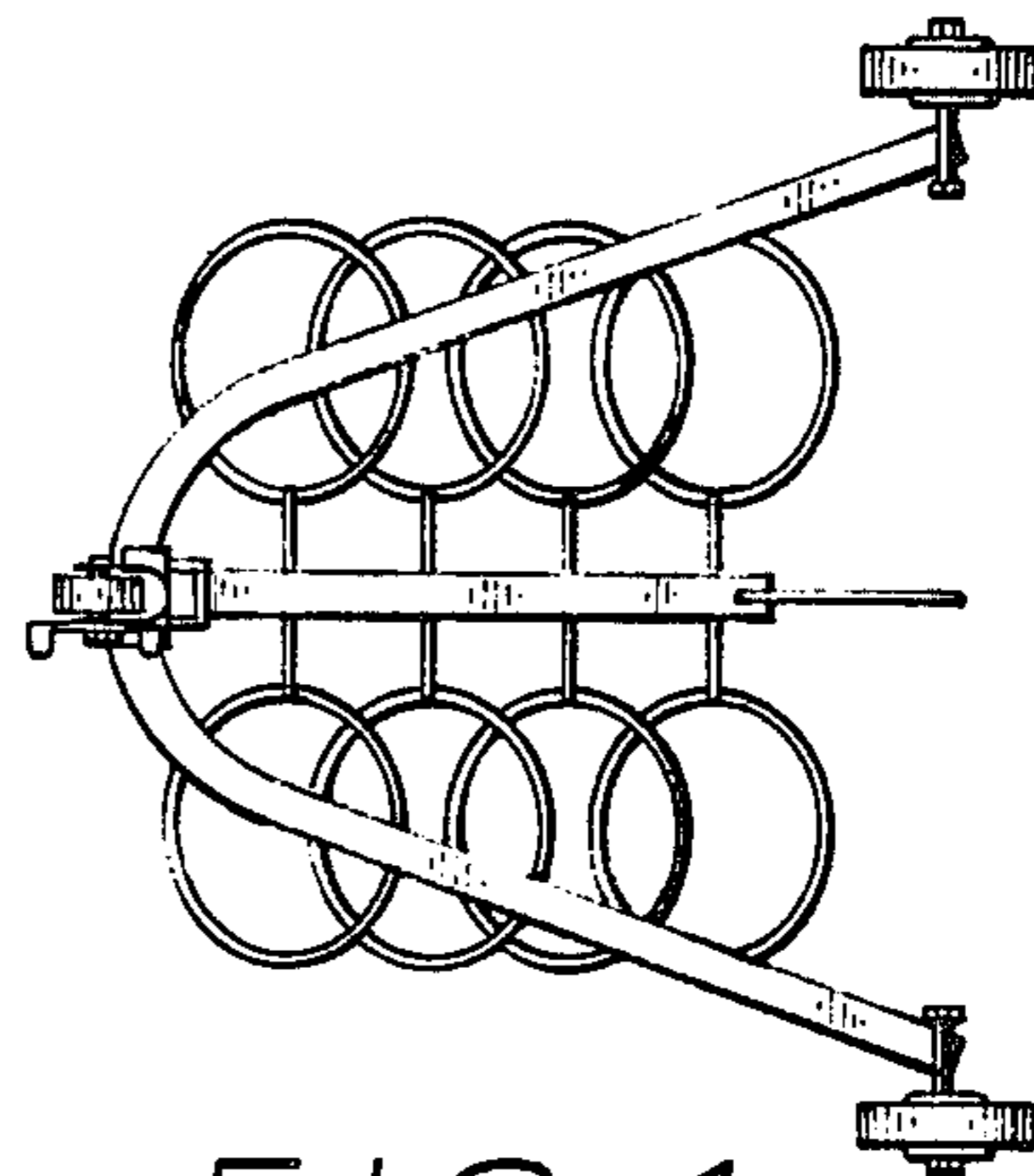


FIG. 4

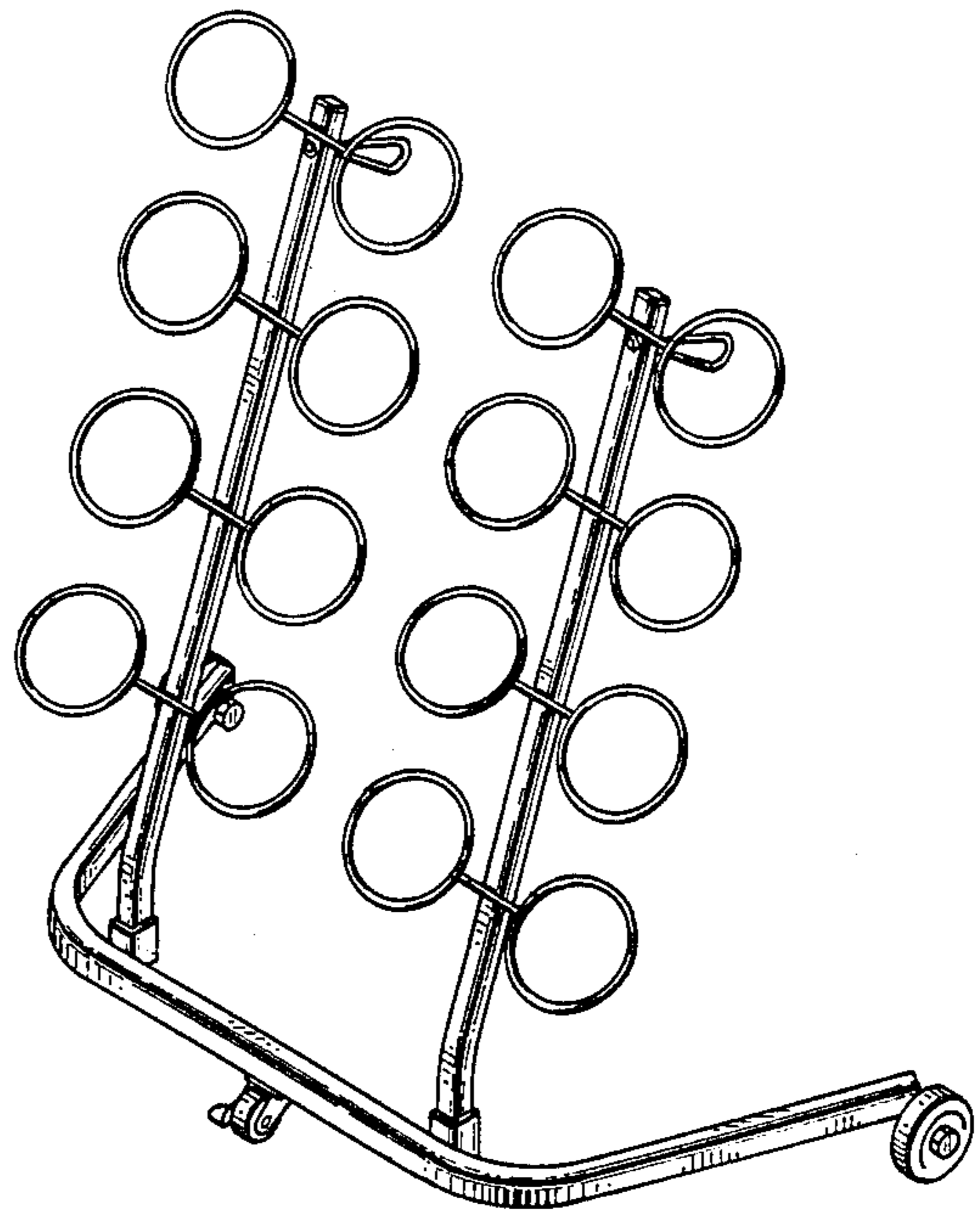


FIG. 5

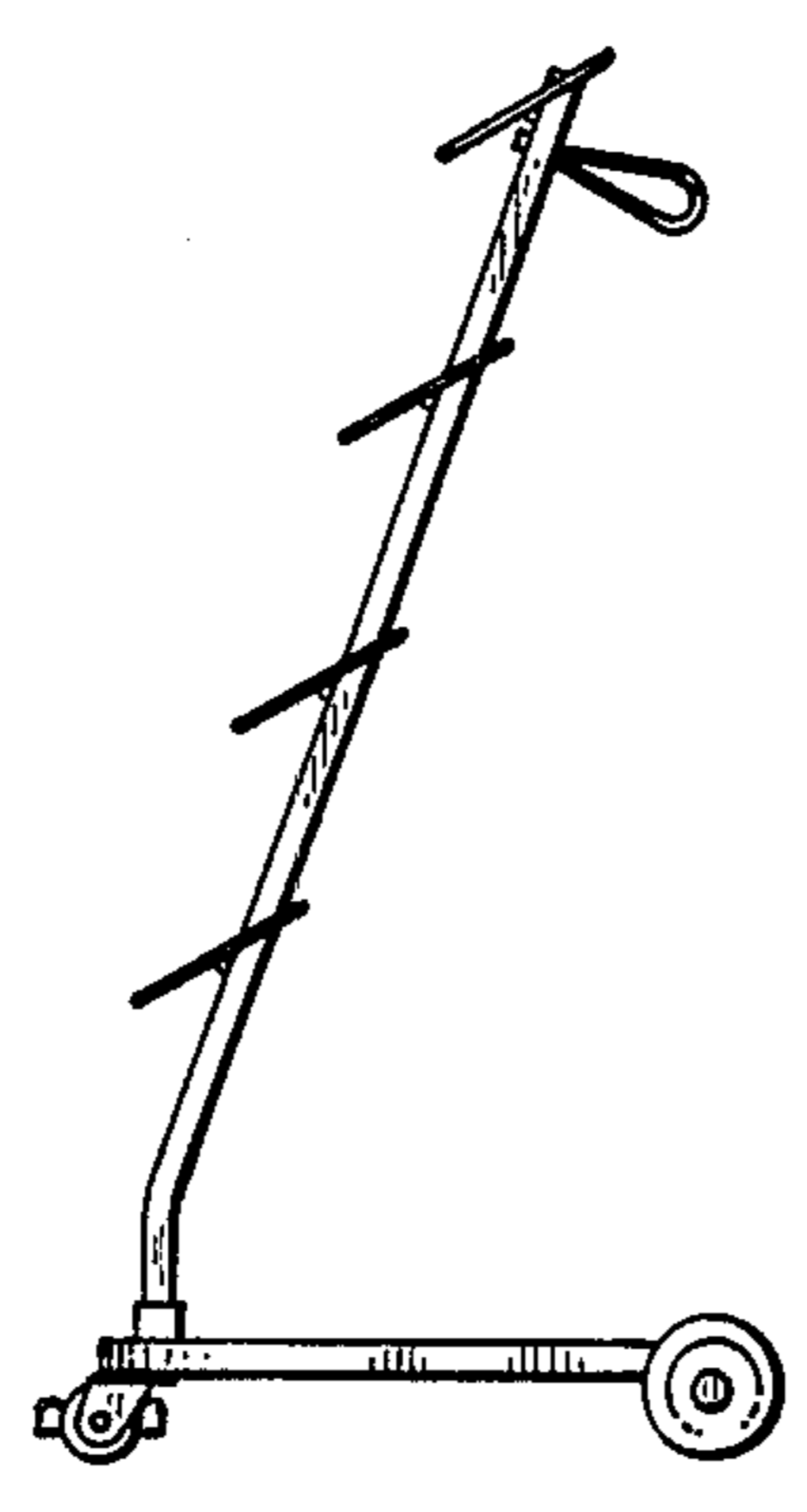


FIG. 6

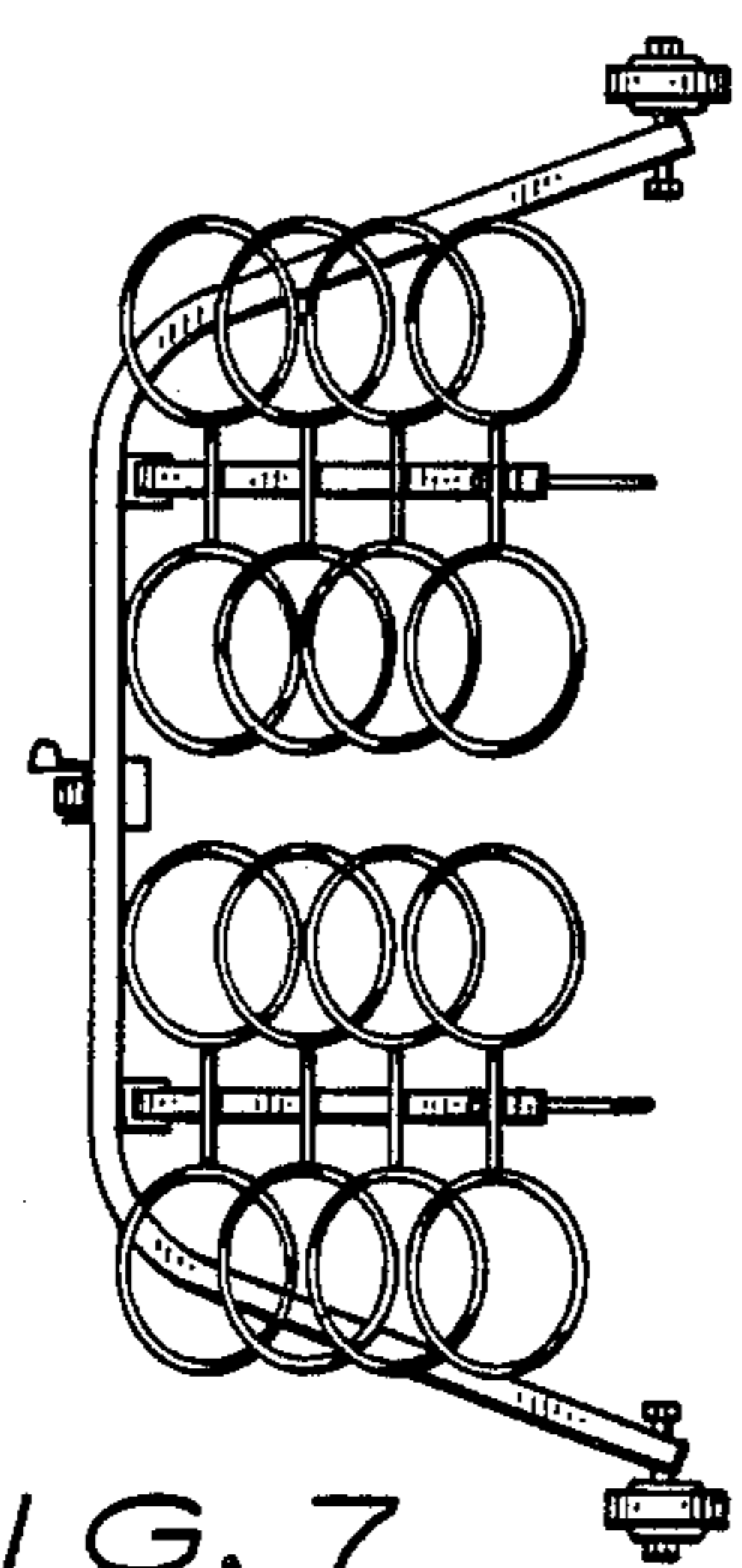


FIG. 7

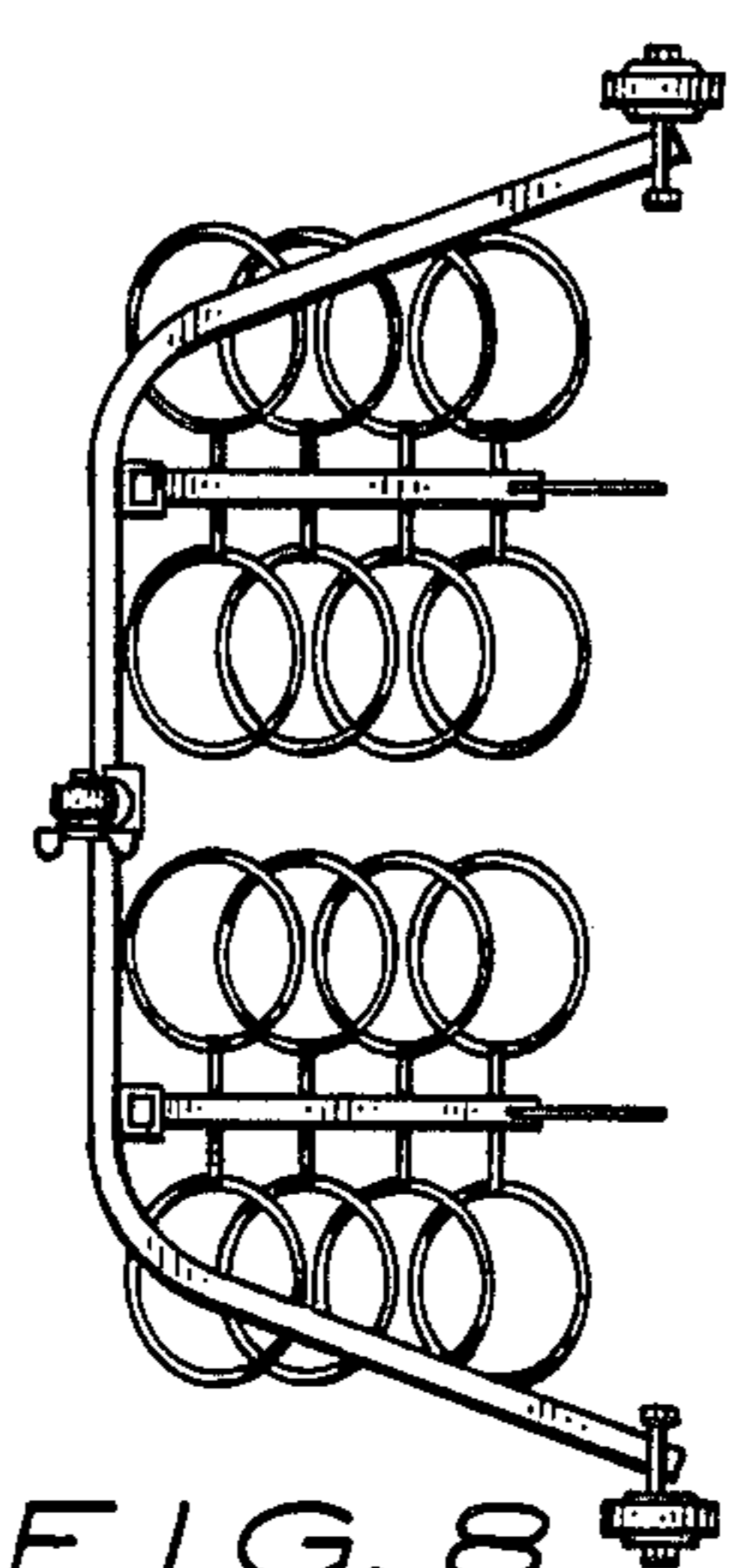


FIG. 8

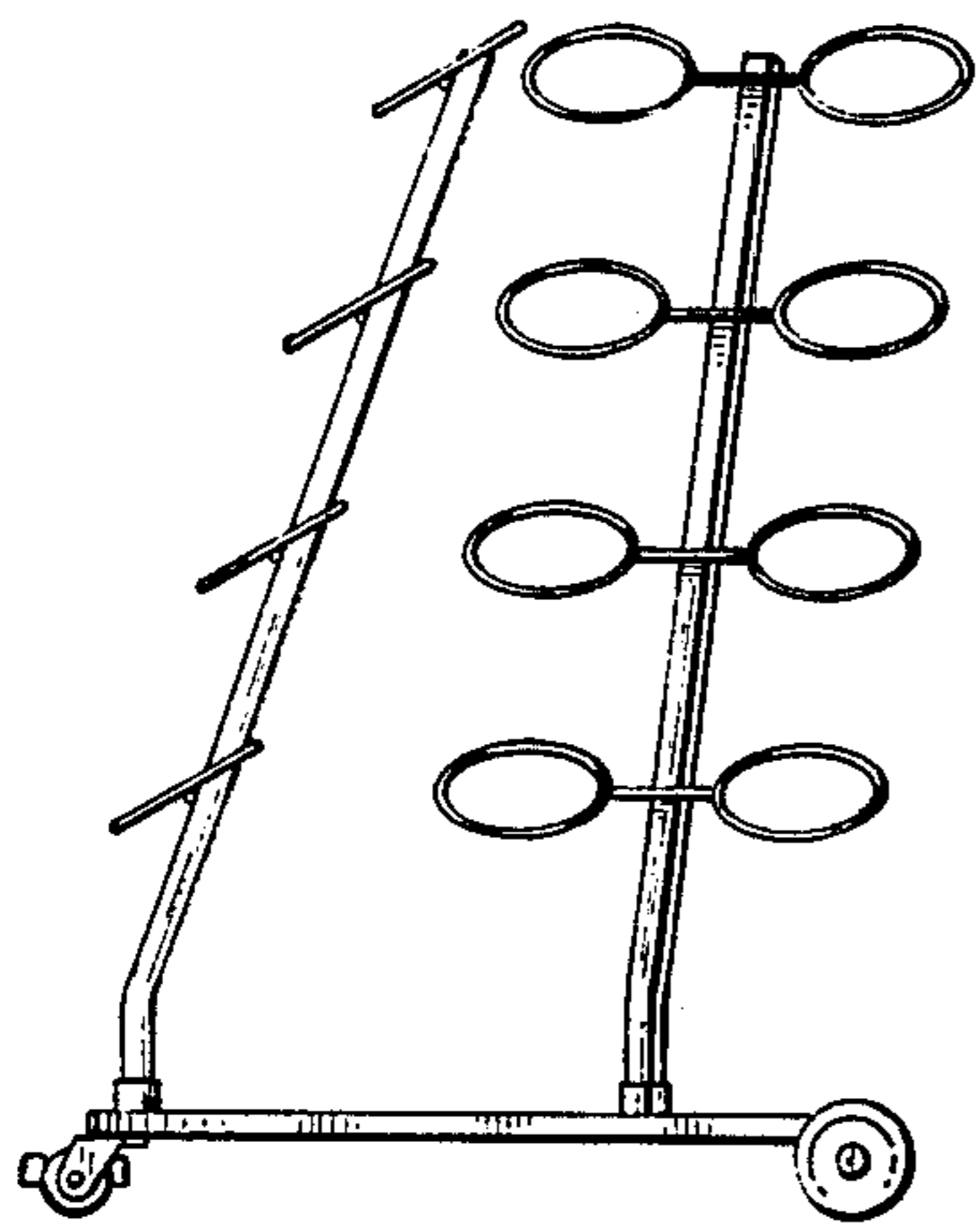


FIG. 10

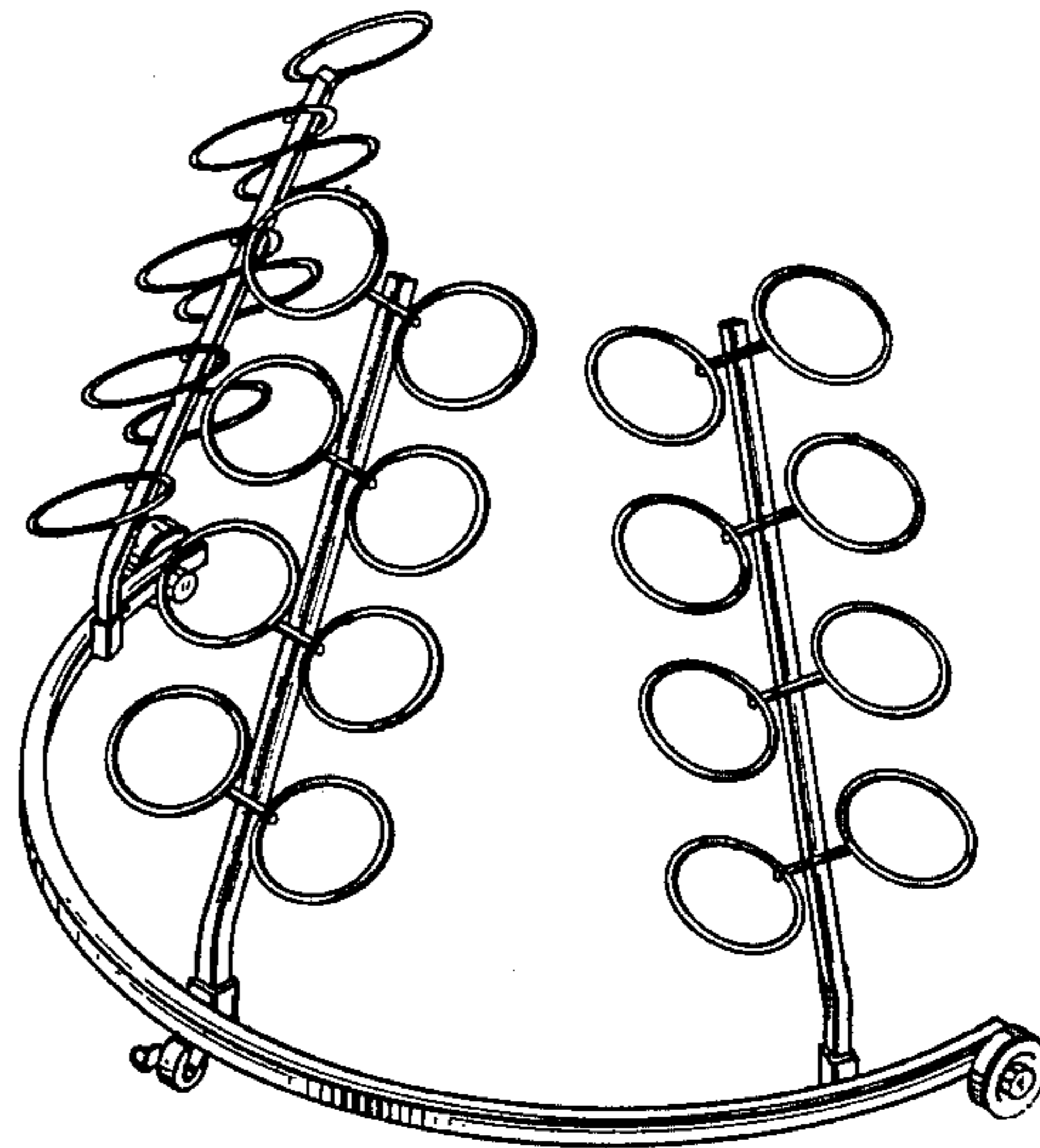


FIG. 9

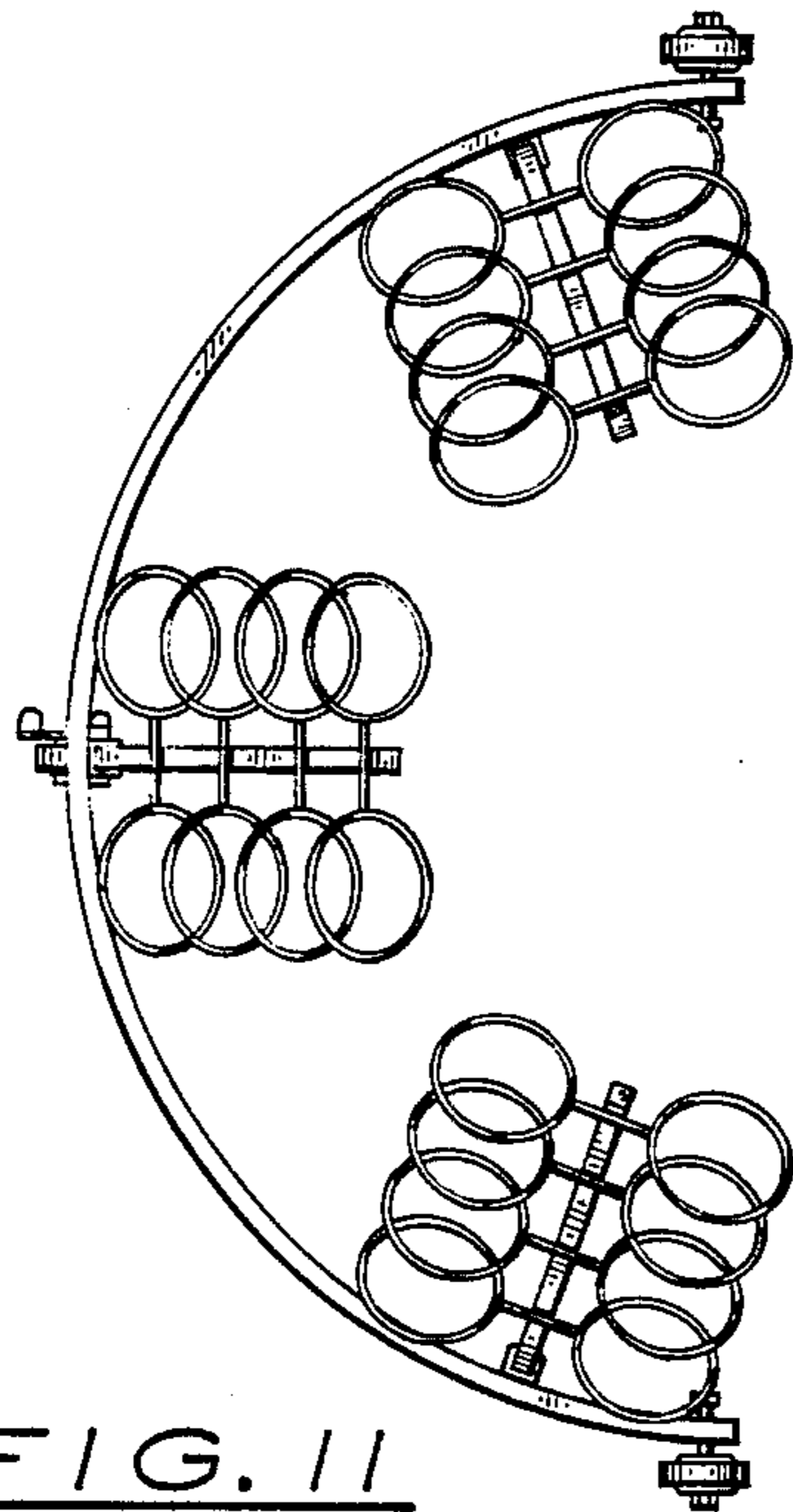


FIG. 11

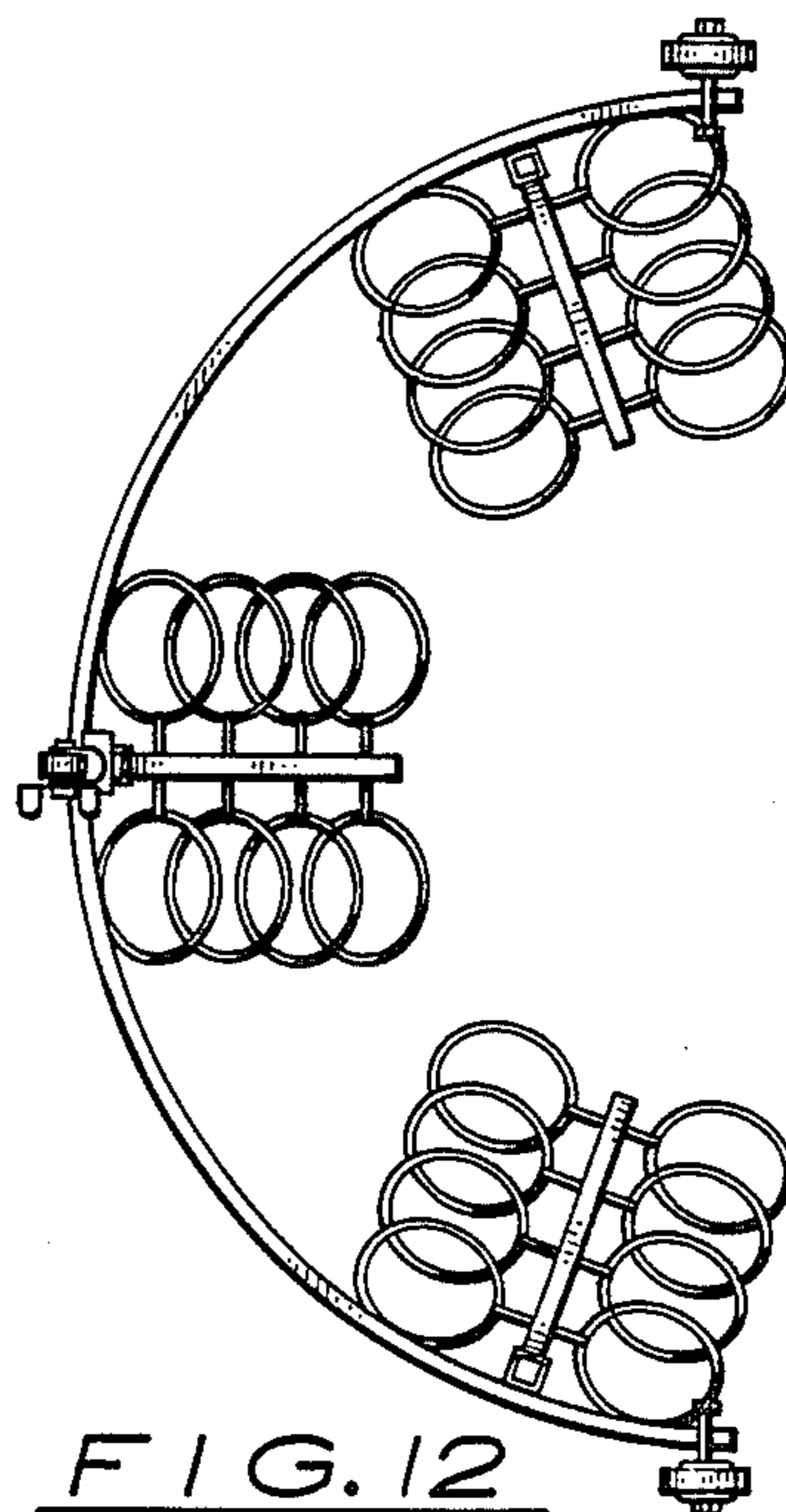


FIG. 12

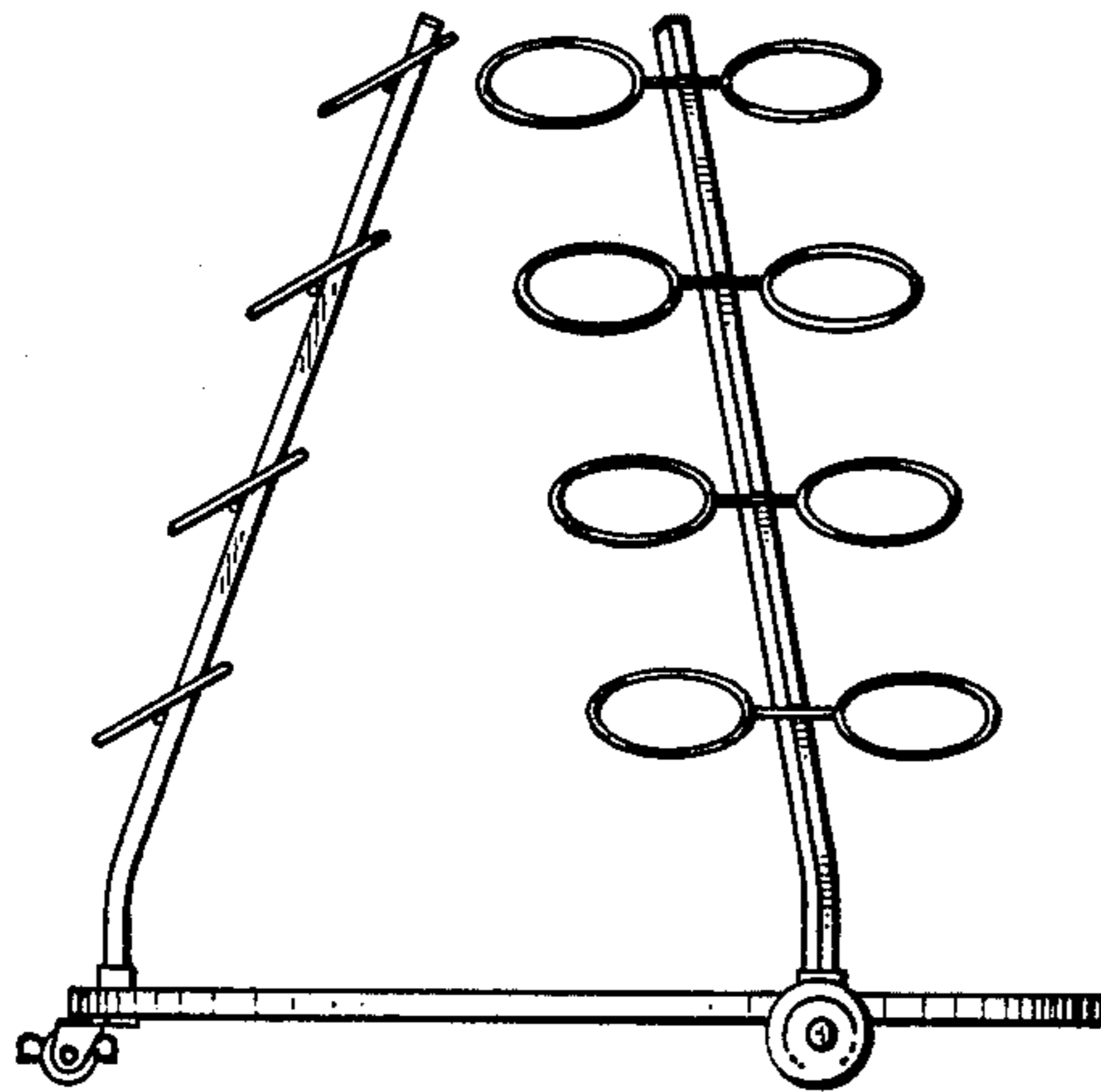


FIG. 14

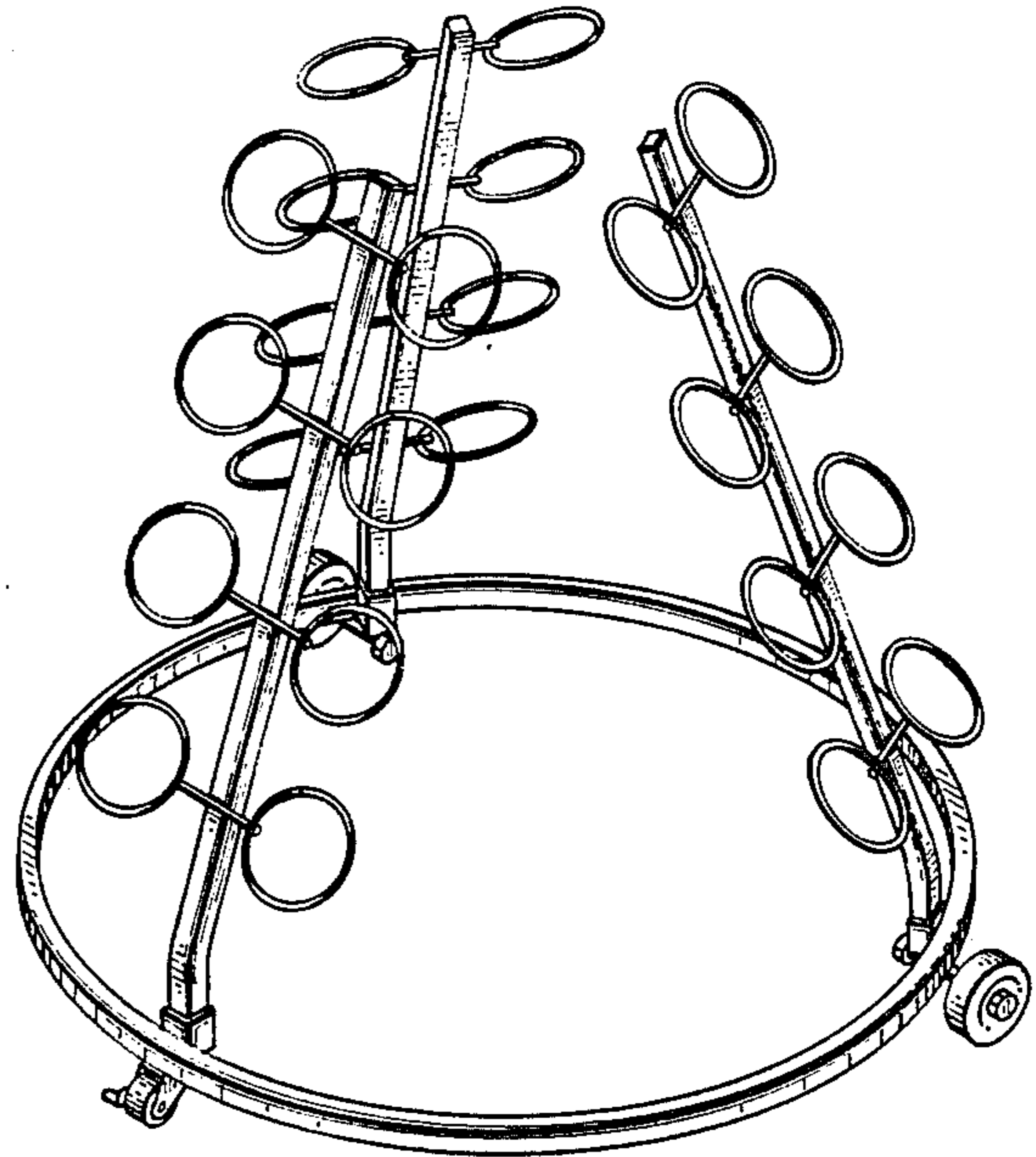


FIG. 13

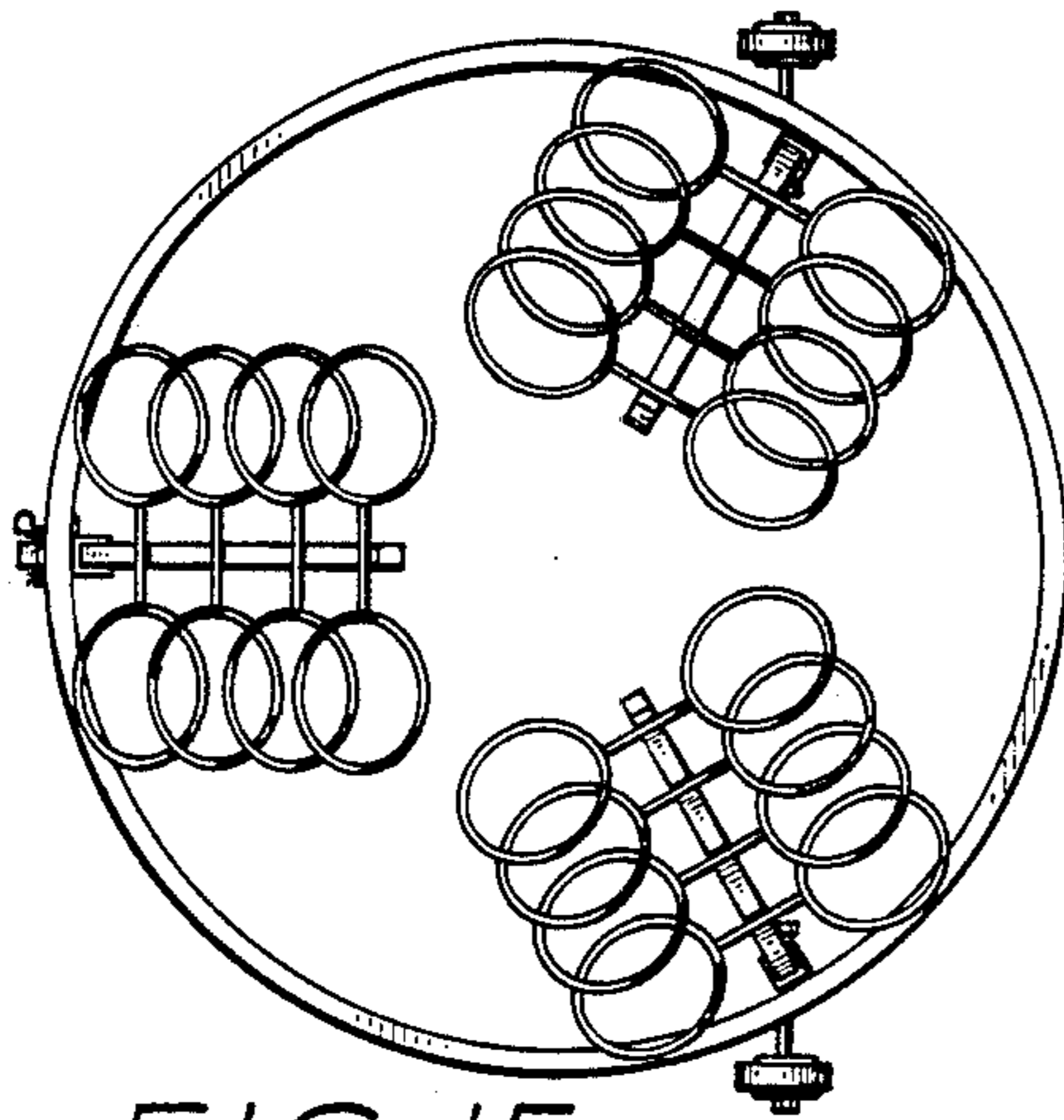


FIG. 15

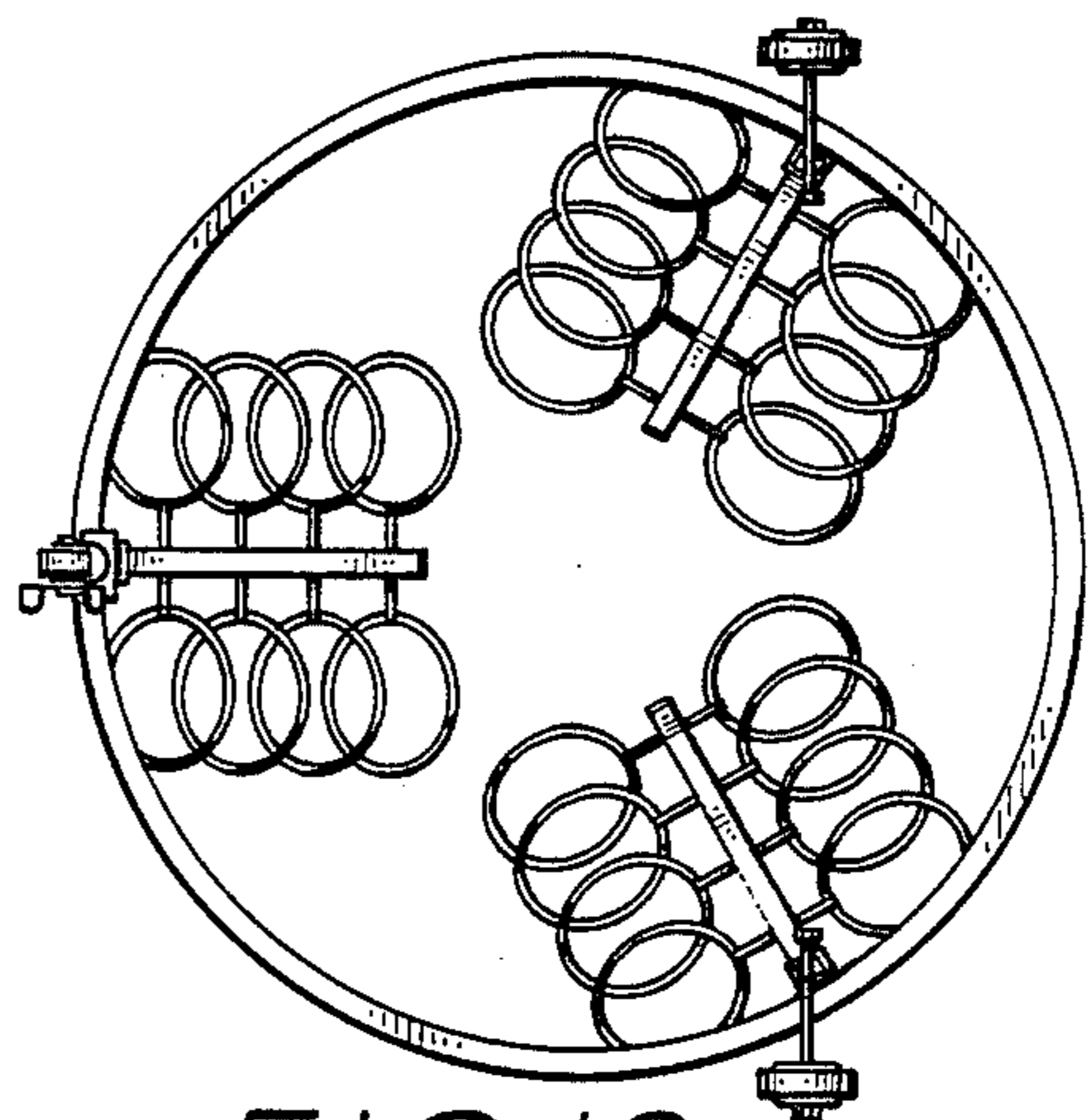


FIG. 16