

[54] **CLOTHES DRIER**

[75] **Inventors: Jun Matsumoto, Tokyo; Mikio Kamegi, Kawasaki, both of Japan**

[73] **Assignee: Kabushiki Kaisha Toshiba, Kawasaki, Japan**

[**] **Term: 14 Years**

[21] **Appl. No.: 781,682**

[22] **Filed: Sep. 30, 1985**

[30] **Foreign Application Priority Data**

Apr. 1, 1985 [JP] Japan 60-12807
[52] **U.S. Cl. D32/8**
[58] **Field of Search D32/1, 5-6, D32/8, 10, 28; 34/53, 58, 88, 108, 133, 139, 155, 201-202**

[56] **References Cited**

U.S. PATENT DOCUMENTS

D. 182,005 1/1958 Sundberg D32/5
D. 285,013 8/1986 Nakamura et al. D32/8
2,814,130 11/1957 Cayot 34/88
3,508,340 4/1970 Kombol 34/53
4,395,831 8/1983 Nielsen 34/133

FOREIGN PATENT DOCUMENTS

385476 11/1949 Japan .
630175 7/1984 Japan .

OTHER PUBLICATIONS

National Dry Day advertisement, Japan.

Primary Examiner—Wallace R. Burke
Assistant Examiner—Ruth Takemoto
Attorney, Agent, or Firm—Banner, Birch, McKie & Beckett

[57] **CLAIM**

The ornamental design for a clothes drier, as shown and described.

DESCRIPTION

FIG. 1 is a top, front and right side perspective view of a clothes drier in a slightly open position, showing our new design;
FIG. 2 is a front elevational view thereof, in a closed position;
FIG. 3 is a right side elevational view thereof;
FIG. 4 is a left side elevational view thereof;
FIG. 5 is a rear elevational view thereof;
FIG. 6 is a top plan view thereof; and
FIG. 7 is a bottom plan view thereof.

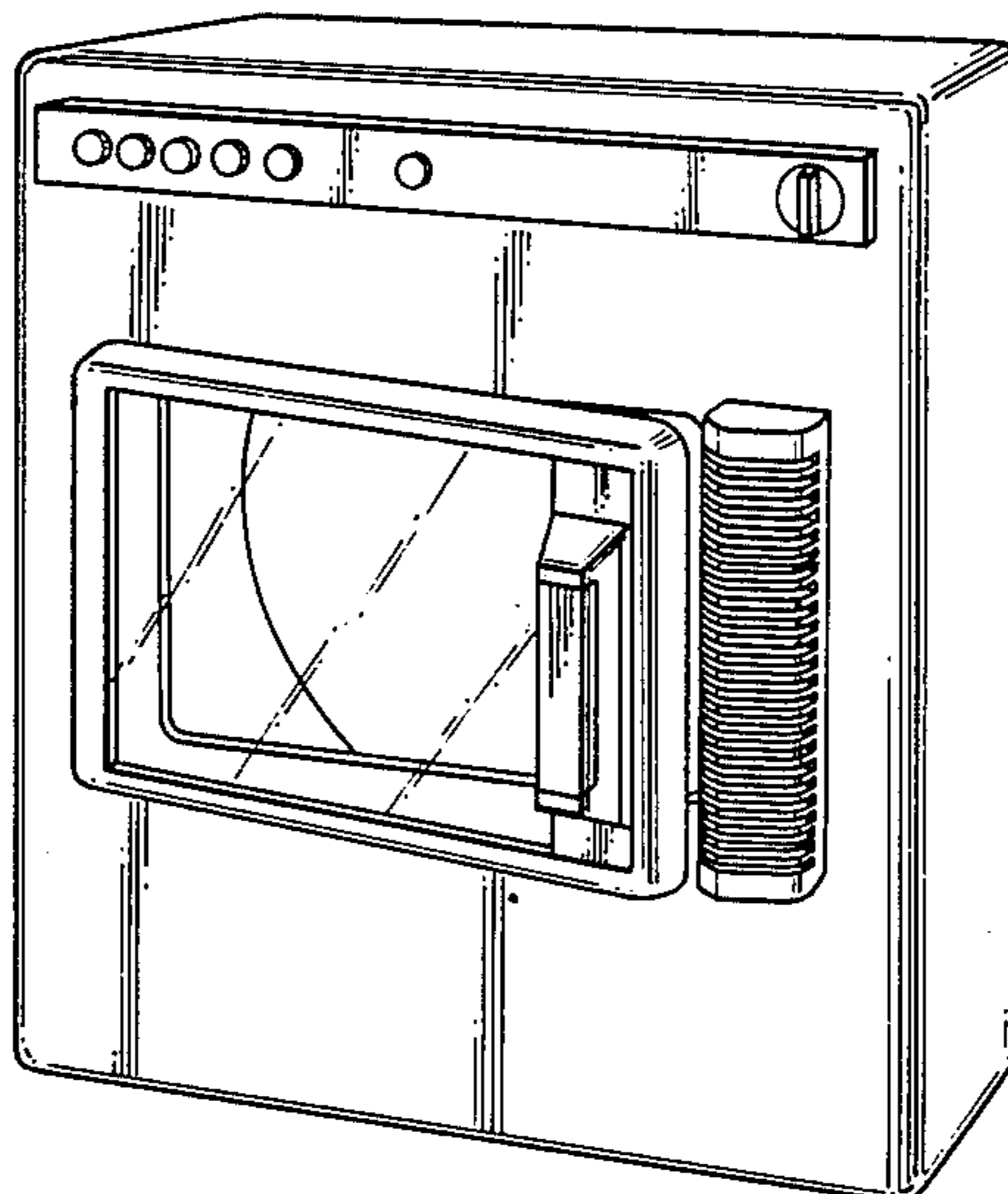


FIG. 1

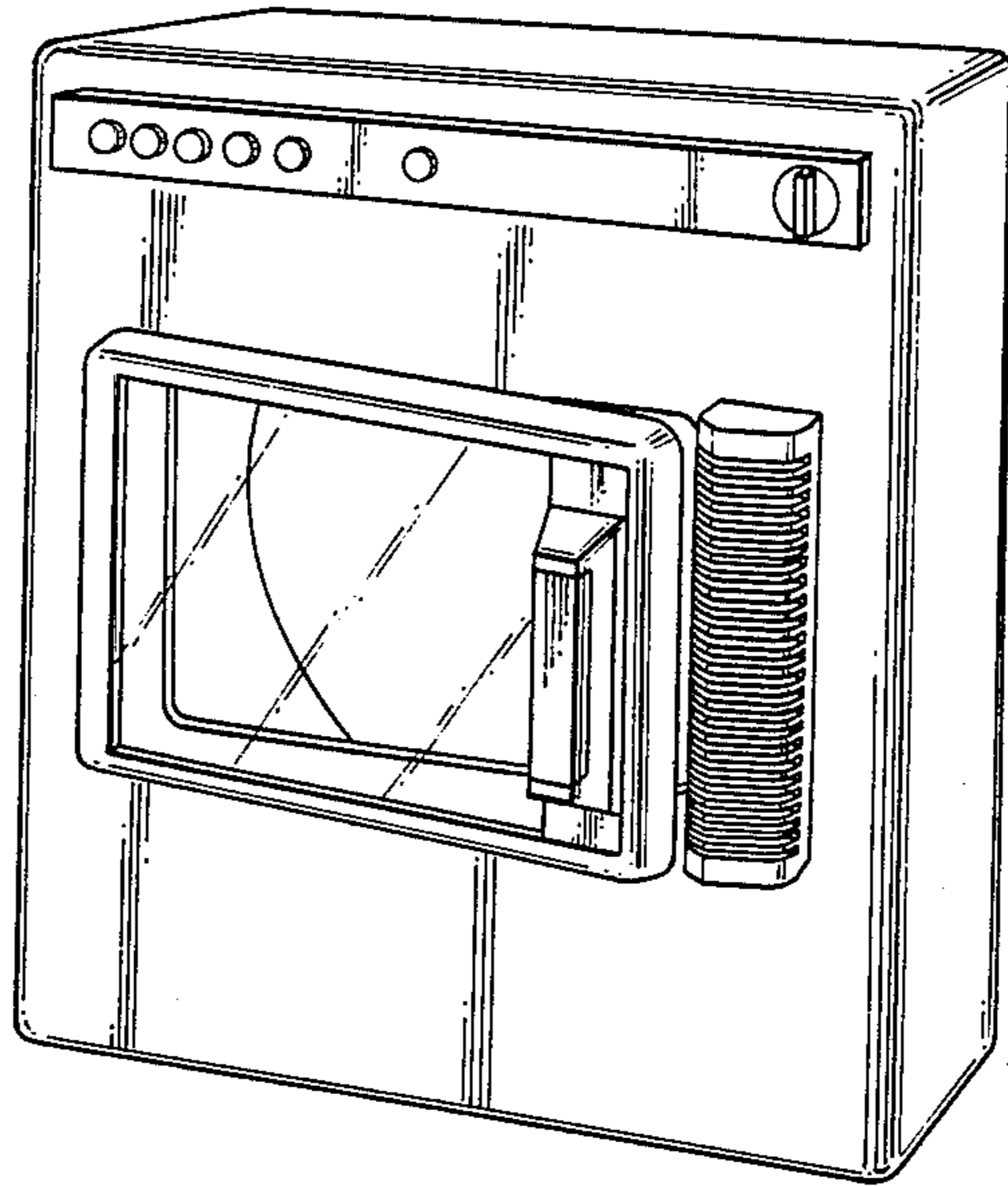


FIG. 2

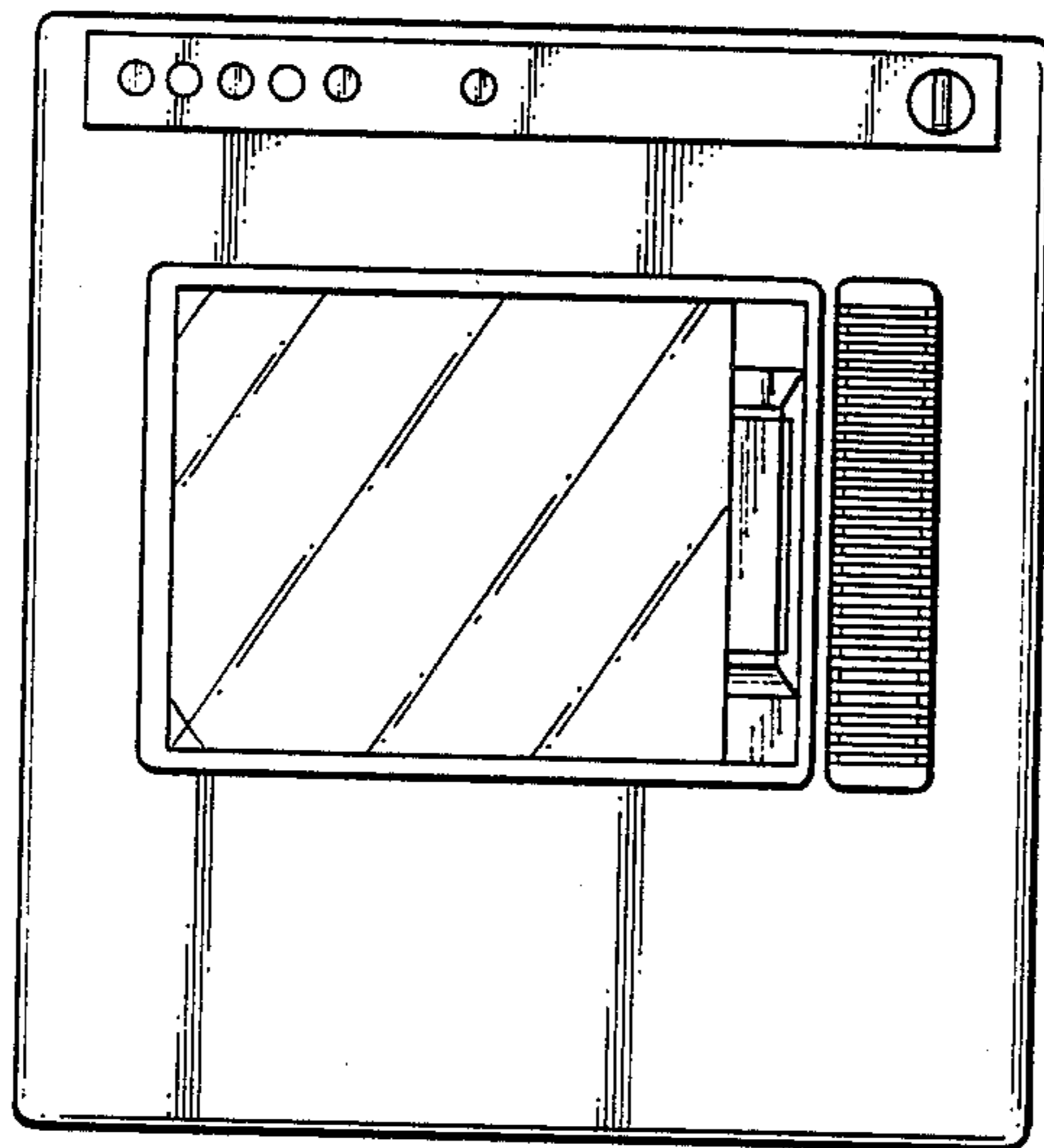


FIG. 3

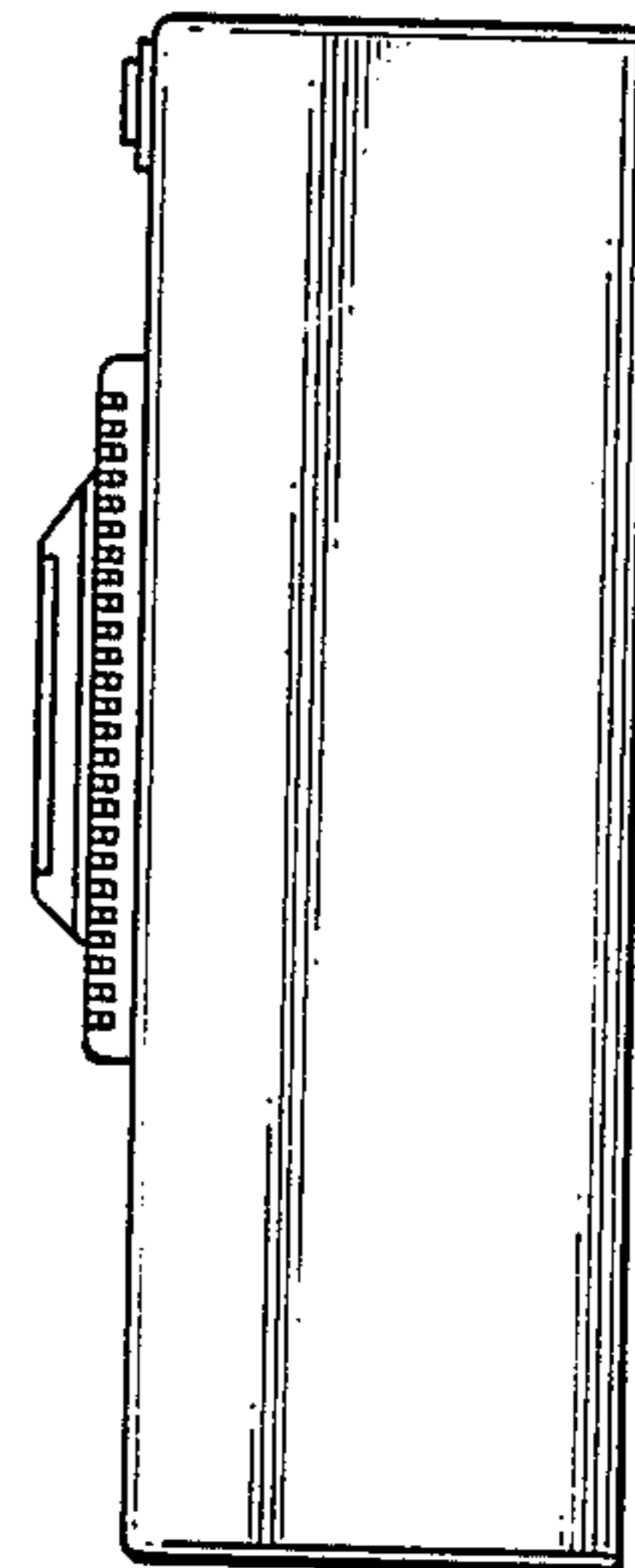


FIG. 4

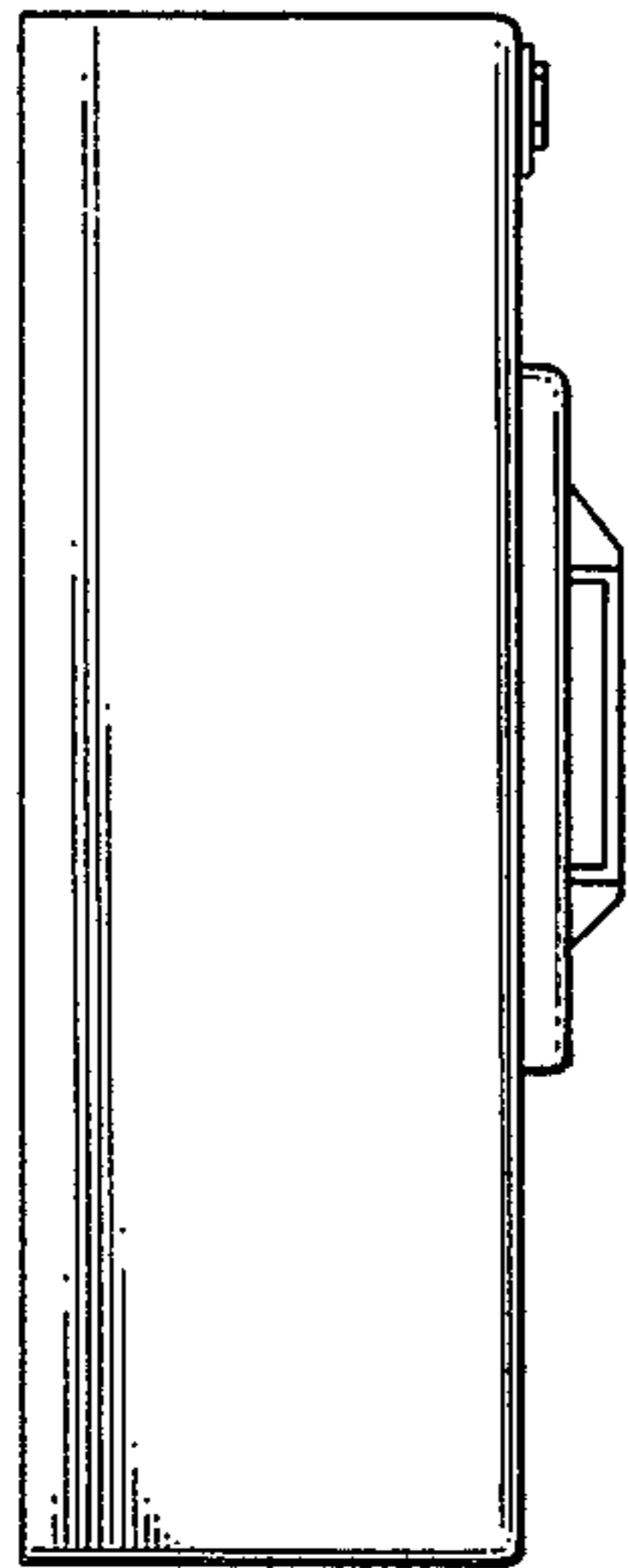


FIG. 5

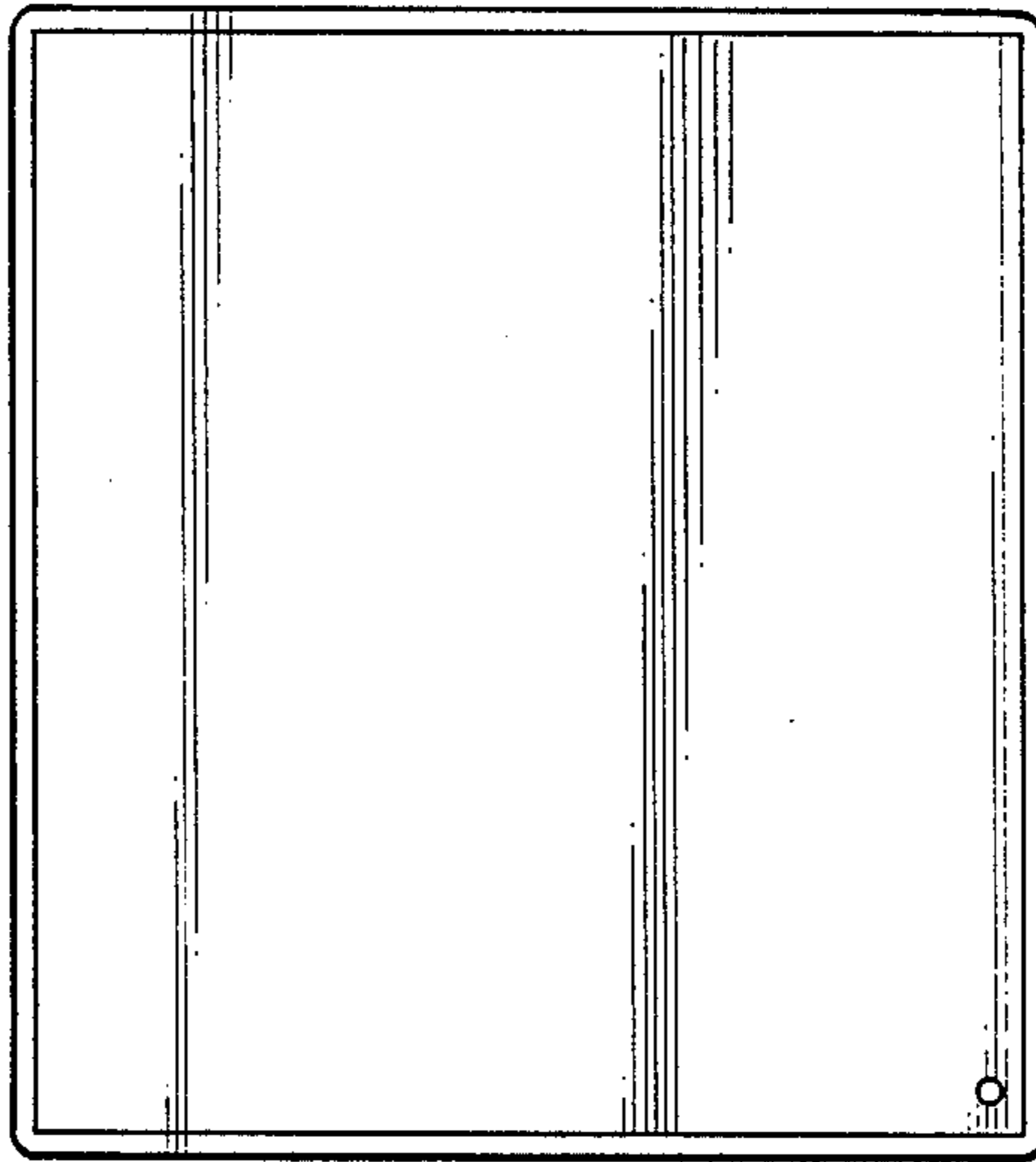


FIG. 6

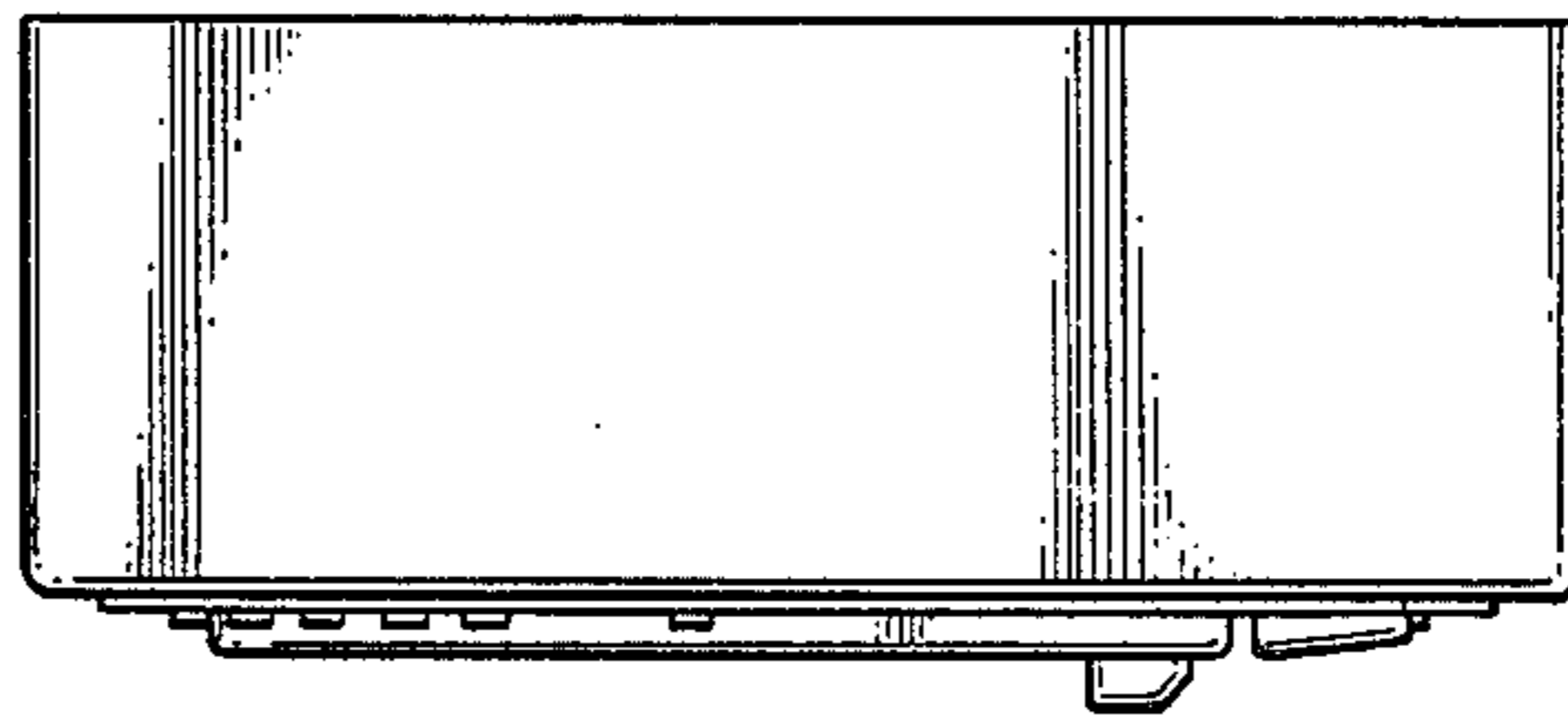


FIG. 7

