

United States Patent [19] Gardner

[11] Patent Number: **Des. 297,058**

[45] Date of Patent: **** Aug. 2, 1988**

[54] **EAR TAG**

[75] Inventor: **Michael S. Gardner, Auckland, New Zealand**

[73] Assignee: **Tagland (NZ) Limited, Auckland, New Zealand**

[*] Notice: The portion of the term of this patent subsequent to Jul. 26, 2002 has been disclaimed.

[**] Term: **14 Years**

[21] Appl. No.: **834,435**

[22] Filed: **Feb. 19, 1986**

[30] **Foreign Application Priority Data**

Jan. 15, 1986 [NZ] New Zealand 20280

[52] U.S. Cl. **D30/155**

[58] Field of Search D30/43, 155; 119/156; 40/300, 301, 303

[56] **References Cited**

U.S. PATENT DOCUMENTS

D. 227,271 6/1973 Nichols, Jr. D30/43
D. 243,704 3/1977 Cavazos D30/43

3,360,877 1/1968 Estep 40/300
3,552,051 1/1971 Ritchey 40/301
3,934,368 1/1976 Fearing 40/301
3,955,580 5/1976 Thompson 40/301 X
4,428,327 1/1984 Steckel 119/156
4,581,834 4/1986 Zatkos et al. 40/300 X
4,646,455 3/1987 Gardner 40/301

FOREIGN PATENT DOCUMENTS

2222940 11/1974 France 40/300

Primary Examiner—James R. Largen
Attorney, Agent, or Firm—Ladas & Parry

[57] **CLAIM**

The ornamental design for an ear tag, as shown and described.

DESCRIPTION

FIG. 1 is a front elevational view of an ear tag showing my new design;

FIG. 2 is a rear elevational view thereof;

FIG. 3 is a top plan view thereof;

FIG. 4 is a bottom plan view thereof;

FIG. 5 is a right side elevational view thereof;

FIG. 6 is a side elevational view thereof;

FIG. 7 is a front perspective view thereof.

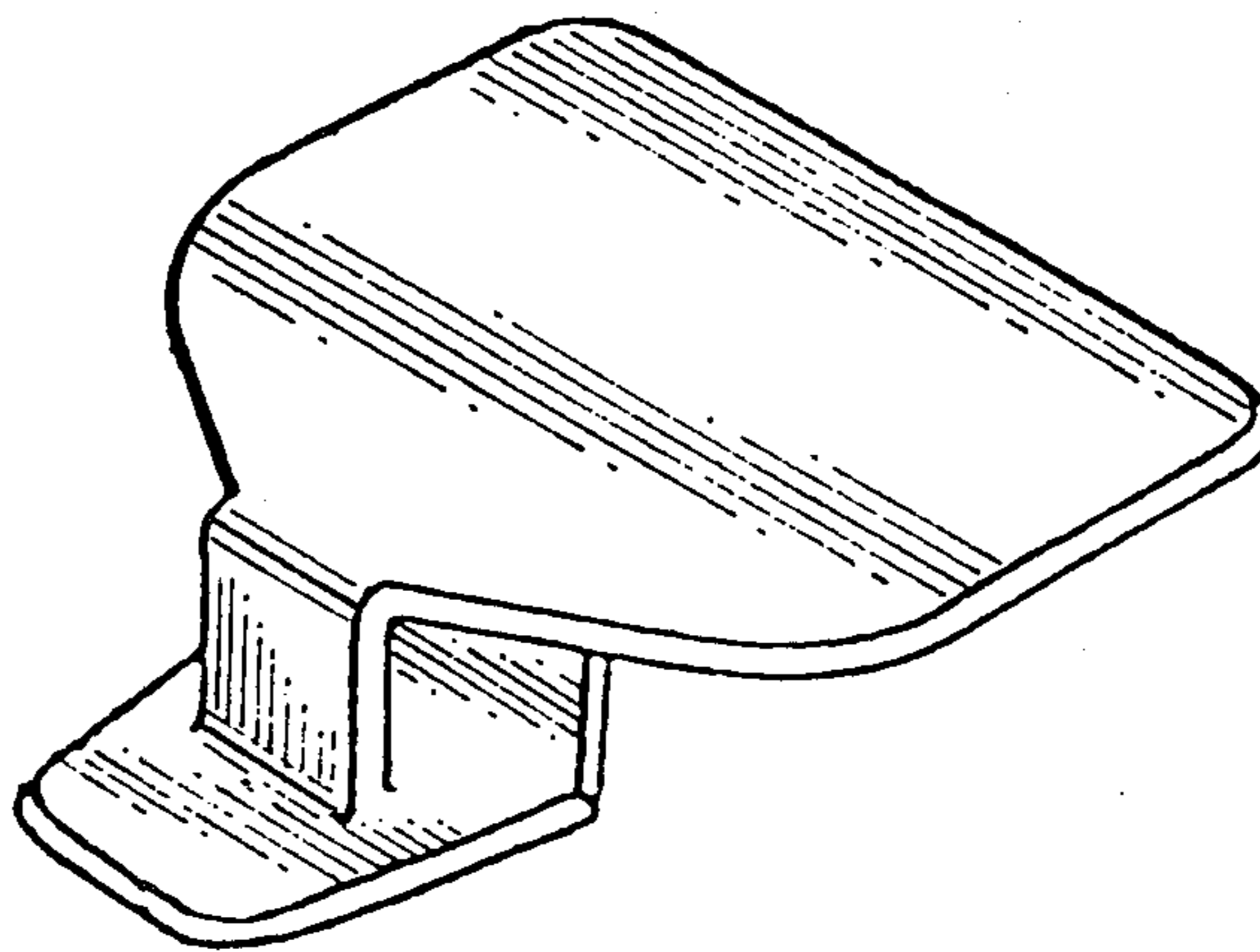




FIG. 1.



FIG. 5.

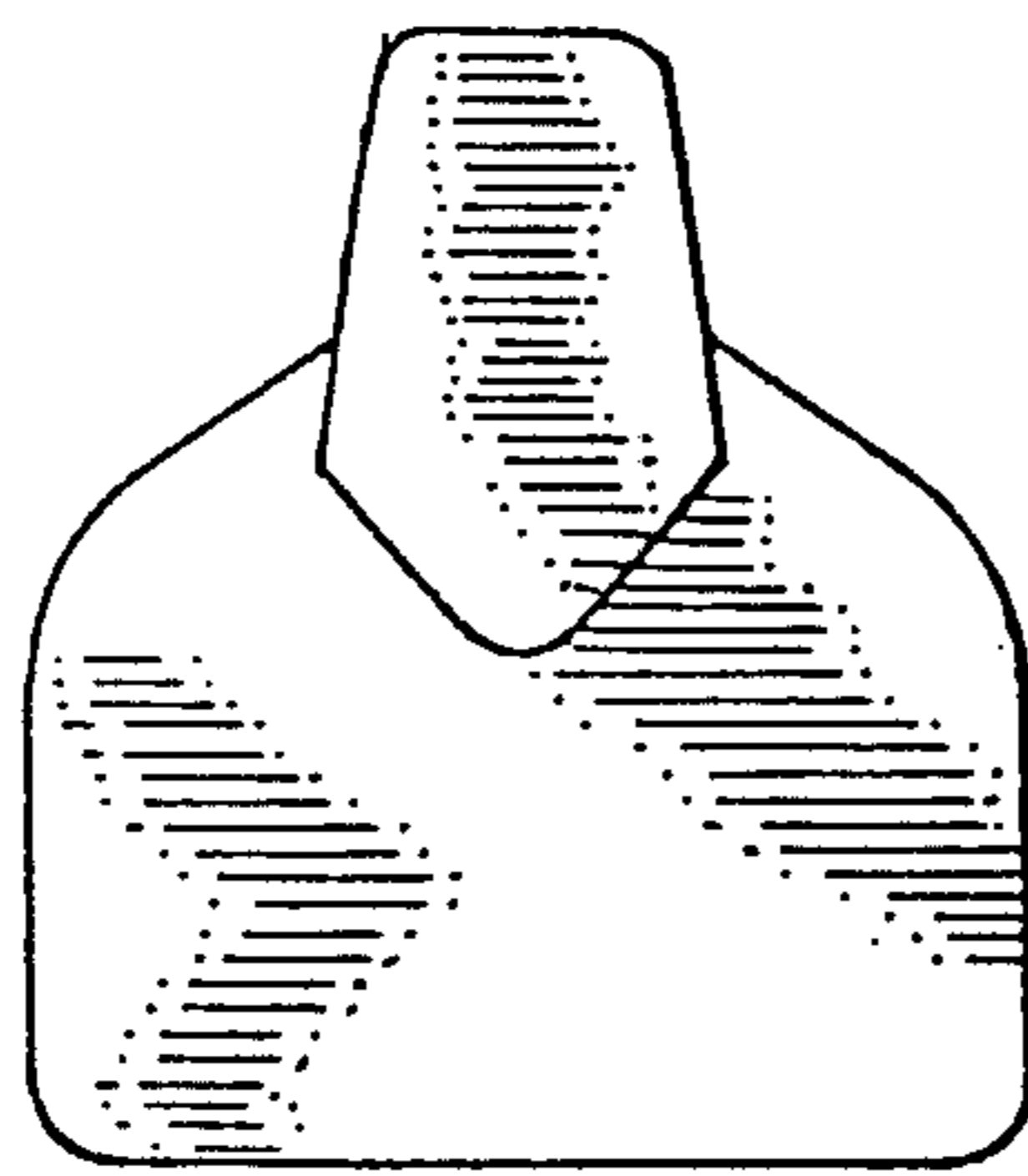


FIG. 2.

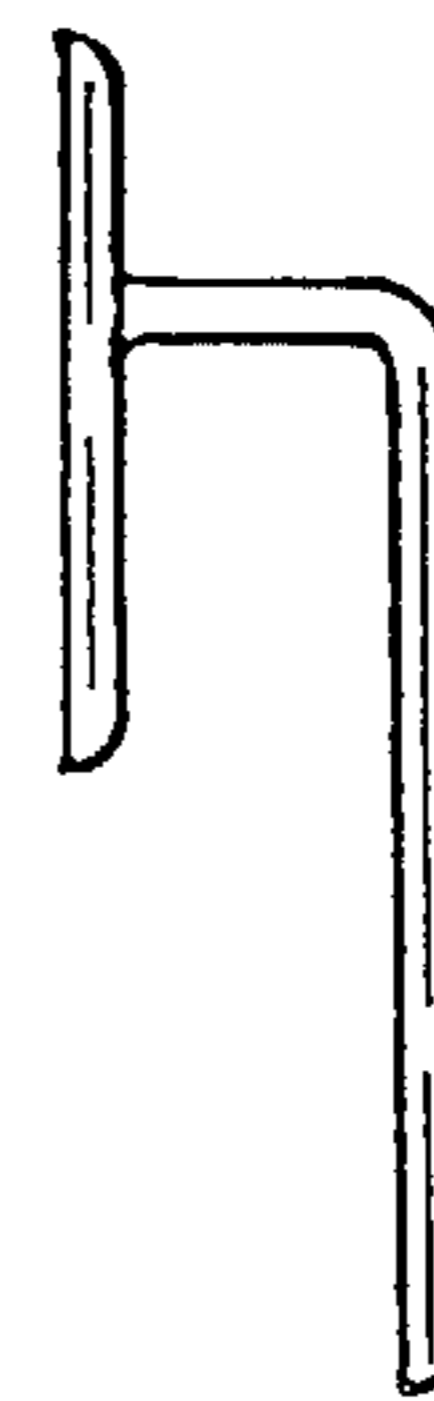


FIG. 6.



FIG. 3.

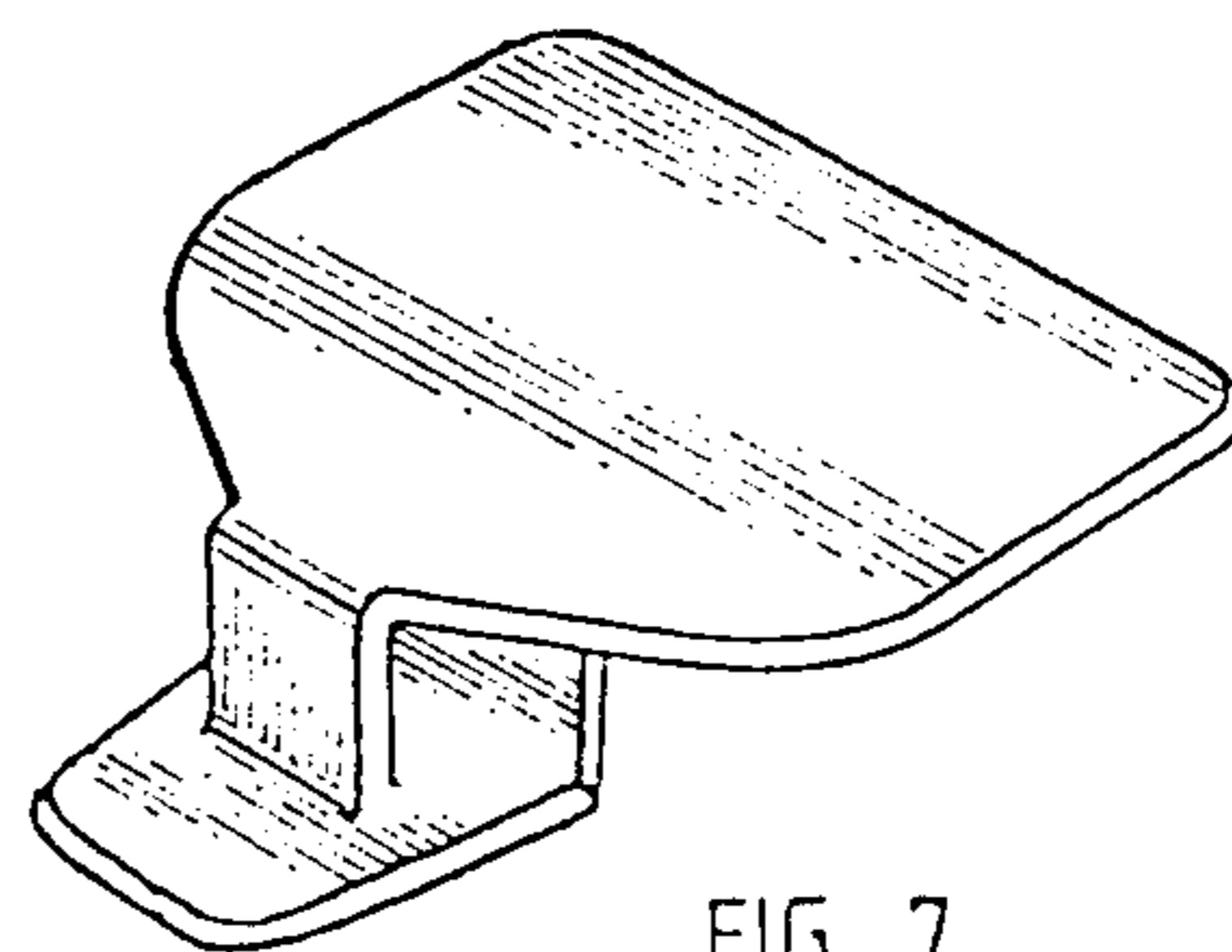


FIG. 7.

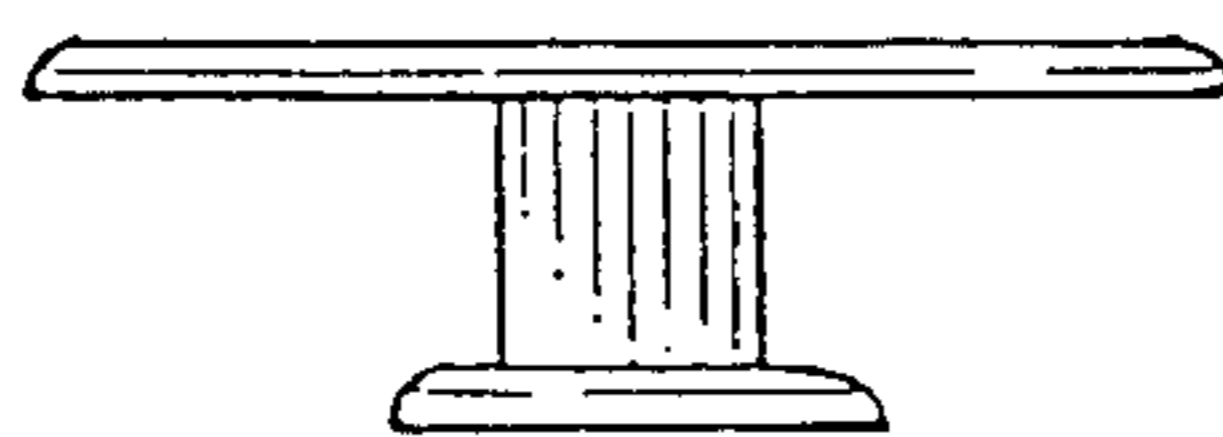


FIG. 4.