

[54] **EAR TAG**
[75] **Inventor: Michael S. Gardner, Auckland, New Zealand**
[73] **Assignee: Tagland (NZ) Limited, Auckland, New Zealand**
[*] **Notice: The portion of the term of this patent subsequent to Jul. 26, 2002 has been disclaimed.**
[**] **Term: 14 Years**
[21] **Appl. No.: 834,062**
[22] **Filed: Feb. 19, 1986**
[30] **Foreign Application Priority Data**
Jan. 15, 1986 [NZ] New Zealand 20281
[52] **U.S. Cl. D30/155**
[58] **Field of Search D30/43, 155; 119/156; 40/300, 301, 303**

[56] **References Cited**
U.S. PATENT DOCUMENTS
D. 227,271 6/1973 Nichols, Jr. D30/43
D. 243,704 3/1977 Cavazos D30/43

3,360,877	1/1968	Estep	40/300
3,552,051	1/1971	Ritchey	40/301
3,934,368	1/1976	Fearing	40/301
3,955,580	5/1976	Thompson	40/301 X
4,428,327	1/1984	Steckel	119/156
4,581,834	4/1986	Zatkos et al.	40/300 X
4,646,455	3/1987	Gardner	40/301

FOREIGN PATENT DOCUMENTS

2222940 11/1974 France 40/300

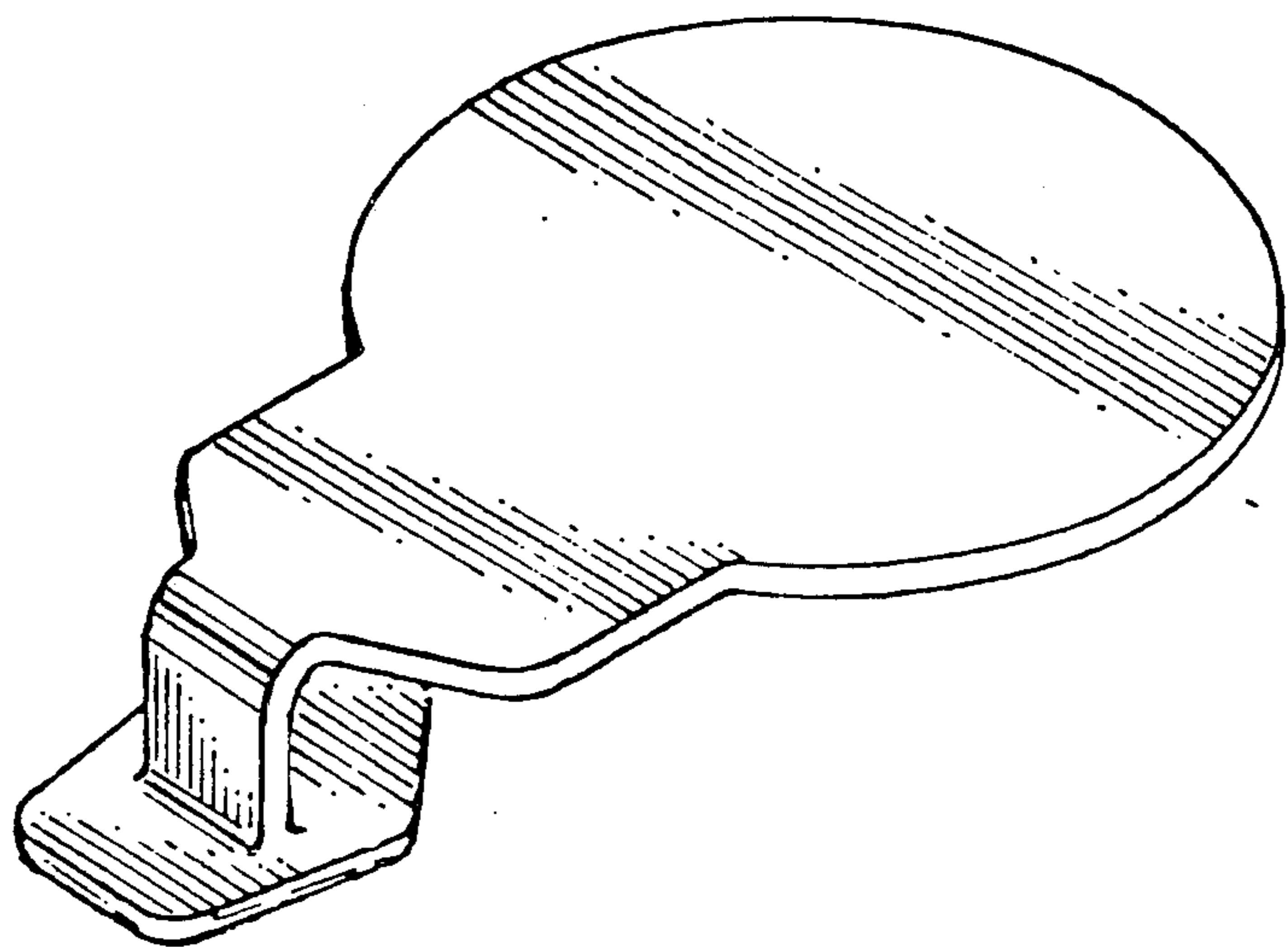
Primary Examiner—James R. Largen
Attorney, Agent, or Firm—Ladas & Parry

[57] **CLAIM**

The ornamental design for an ear tag, as shown and described.

DESCRIPTION

FIG. 1 is a front elevational view of an ear tag showing my new design;
FIG. 2 is a left side elevational view thereof;
FIG. 3 is a rear elevational view thereof;
FIG. 4 is a right side view thereof;
FIG. 5 is a top perspective view thereof;
FIG. 6 is a top plan view thereof; and
FIG. 7 is a bottom plan view thereof.



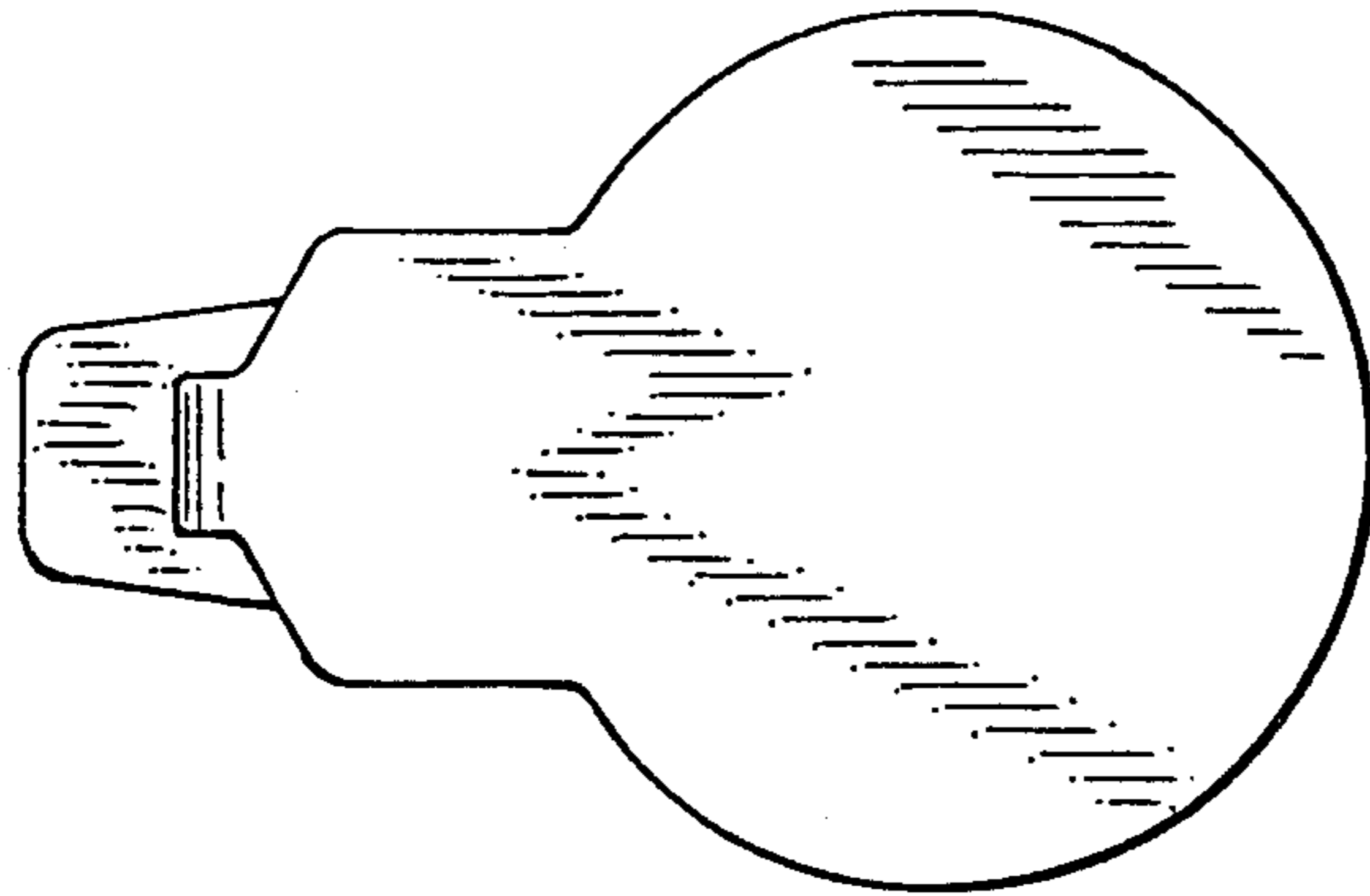


FIG. 1.

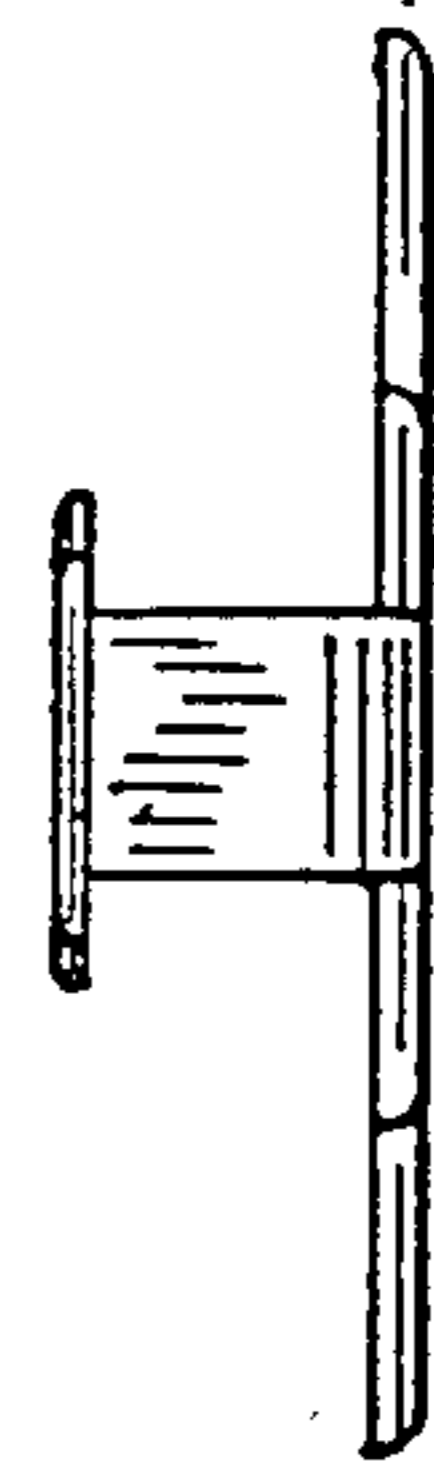


FIG. 6.



FIG. 2.

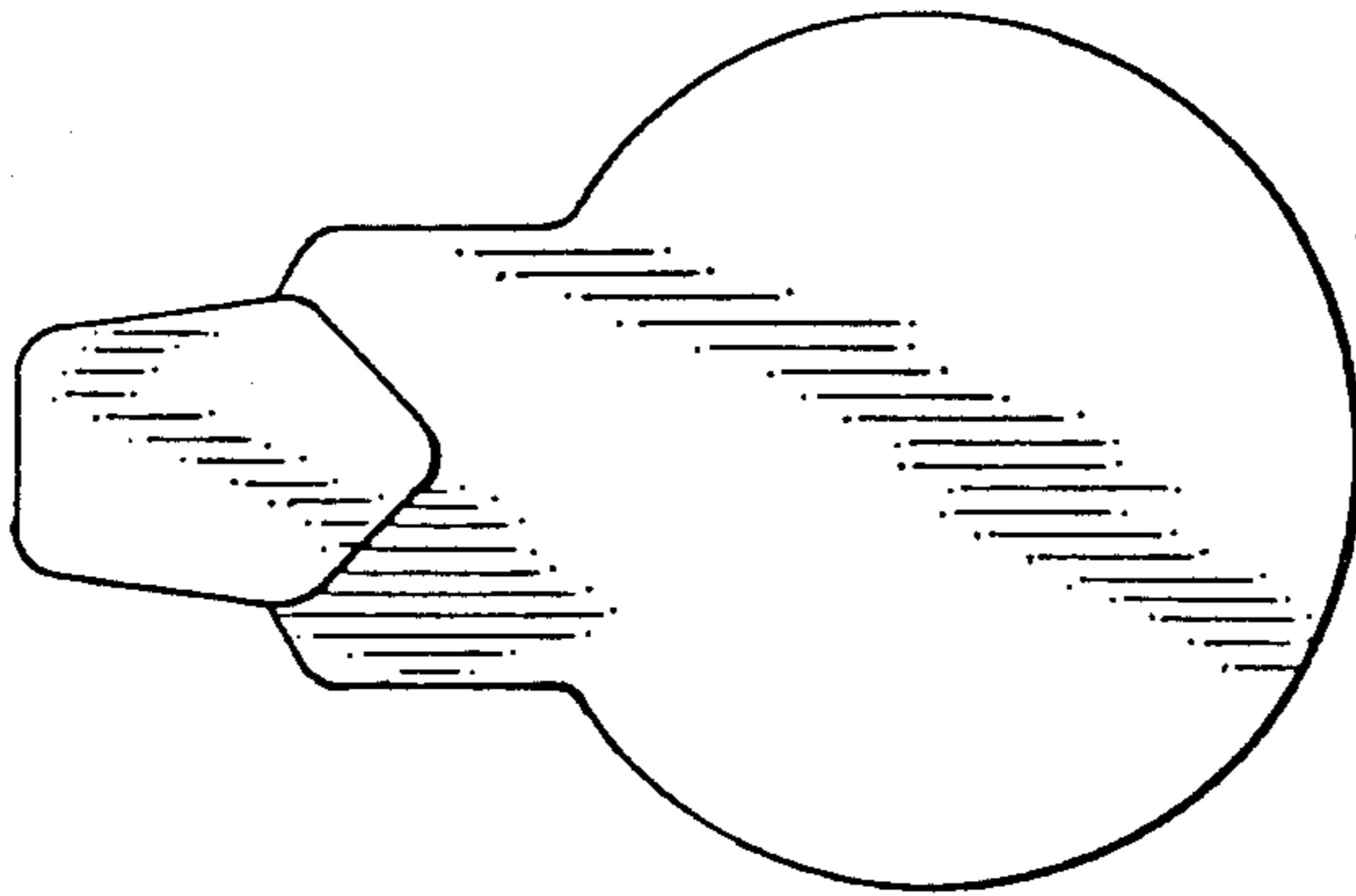


FIG. 3.

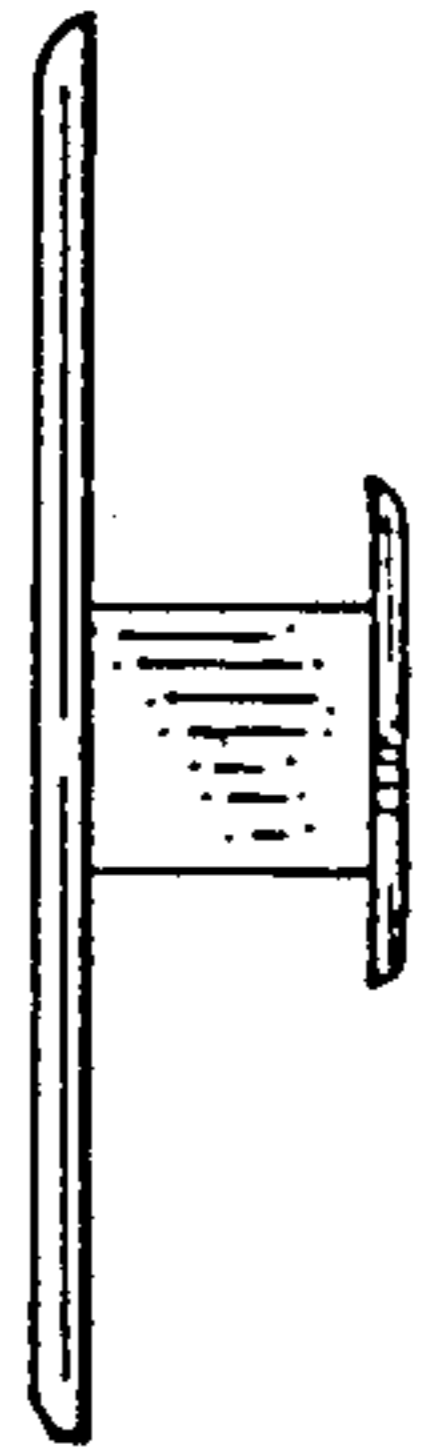


FIG. 7.



FIG. 4.

FIG. 5.

