

[54] **SURGICAL LIGHT**
[75] **Inventor: Joseph T. Sestak, Erie, Pa.**
[73] **Assignee: American Sterilizer Company, Erie, Pa.**
[**] **Term: 14 Years**
[21] **Appl. No.: 783,308**
[22] **Filed: Oct. 2, 1985**
[52] **U.S. Cl. D26/65**
[58] **Field of Search D26/61, 63, 65; 362/269, 275, 362, 307, 418, 804, 33; 128/23**

3,609,335 9/1971 Kelly 362/33

FOREIGN PATENT DOCUMENTS

1355826 6/1974 United Kingdom 362/33

Primary Examiner—Susan J. Lucas
Attorney, Agent, or Firm—Kirkpatrick & Lockhart

[57] **CLAIM**

The ornamental design for a surgical light, substantially as shown and described.

DESCRIPTION

FIG. 1 is a top plan view of a surgical light embodying my new design;
FIG. 2 is a side elevational view thereof, the opposite side being a mirror image;
FIG. 3 is a bottom plan view thereof;
FIG. 4 is a front elevational view thereof; and
FIG. 5 is a rear elevational view thereof.

[56] **References Cited**
U.S. PATENT DOCUMENTS
D. 254,632 4/1980 Brendgord D26/65
2,896,066 7/1959 Quetin D26/65 X

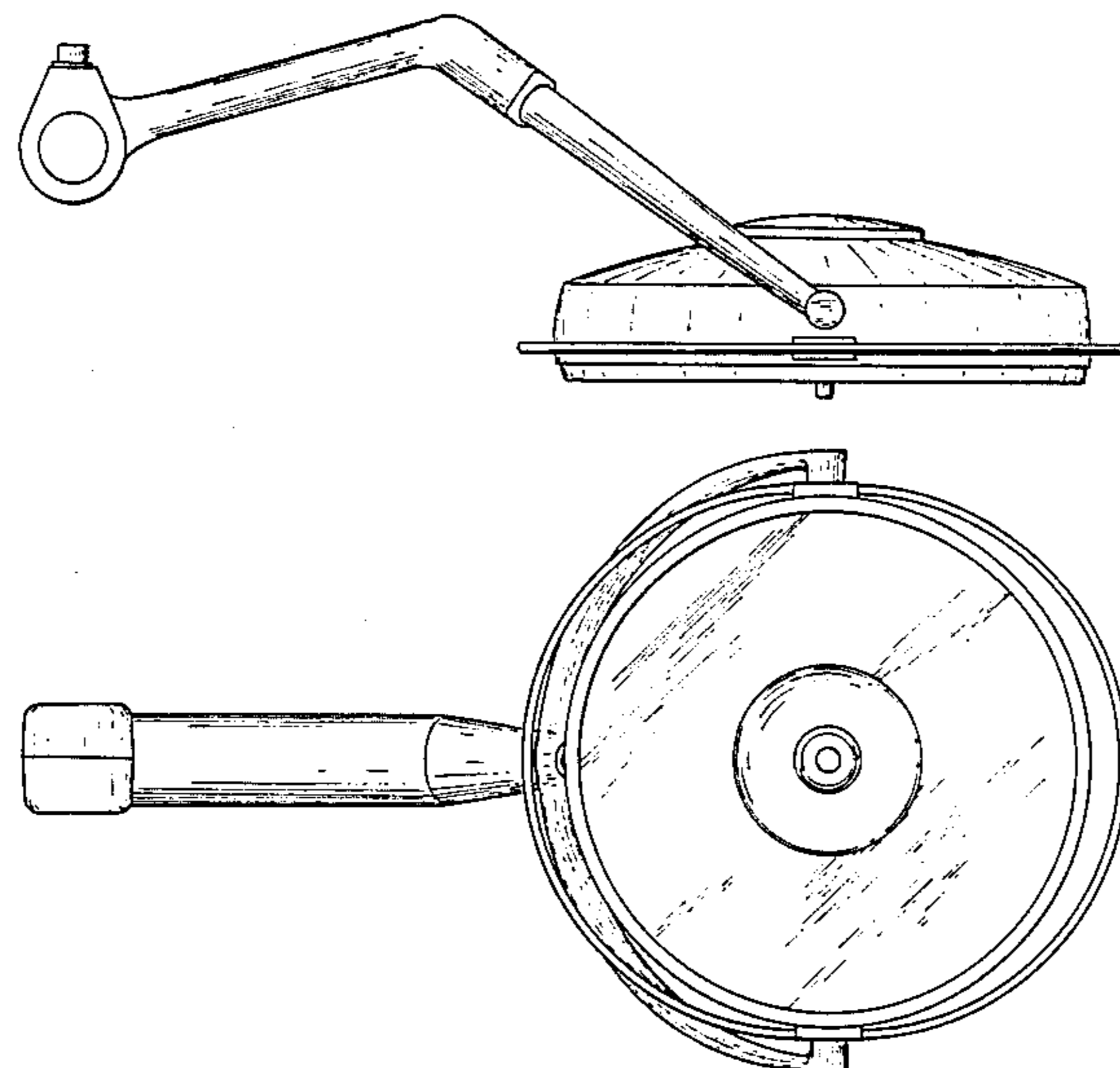


Fig. 1.

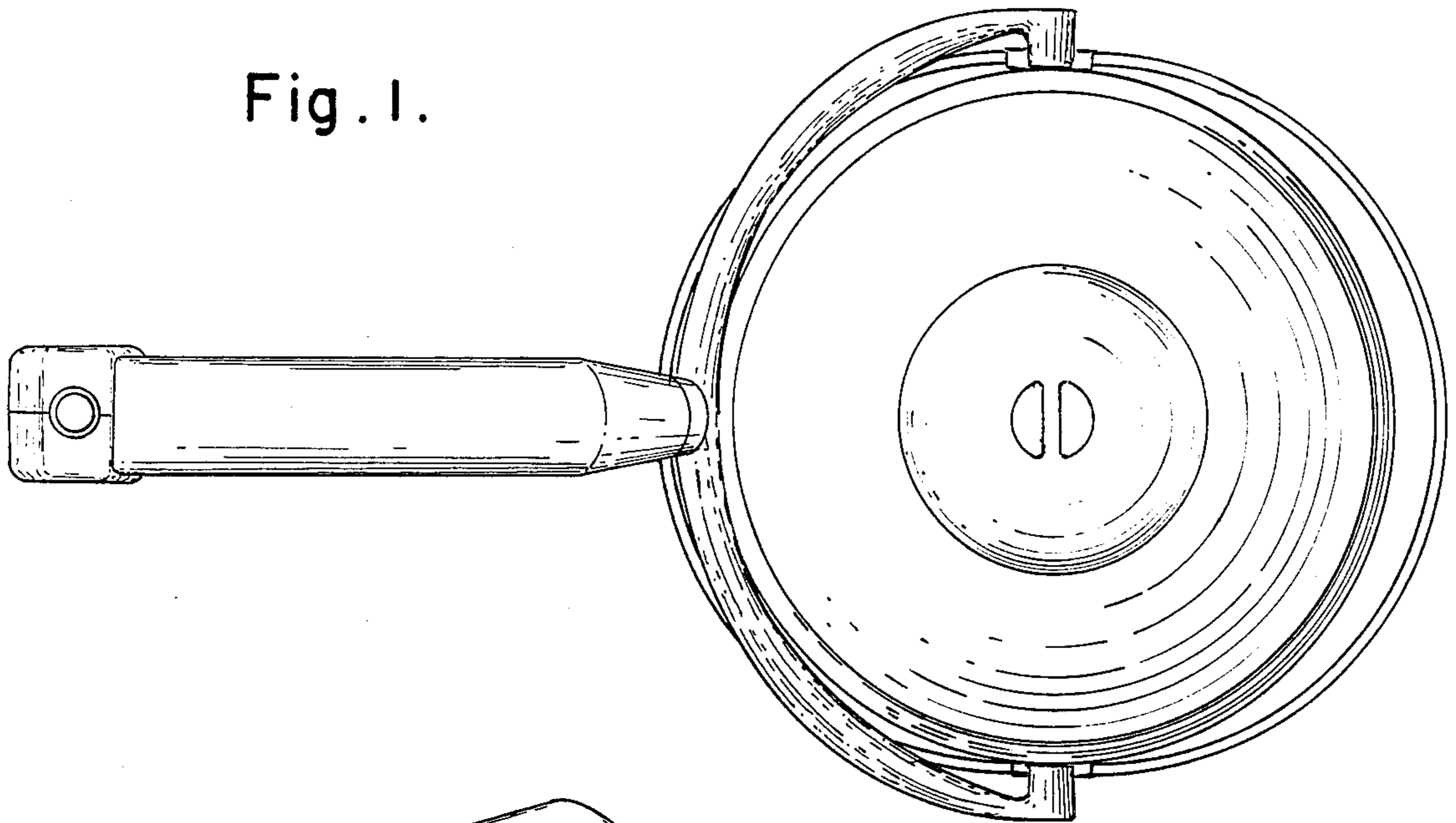


Fig. 2.

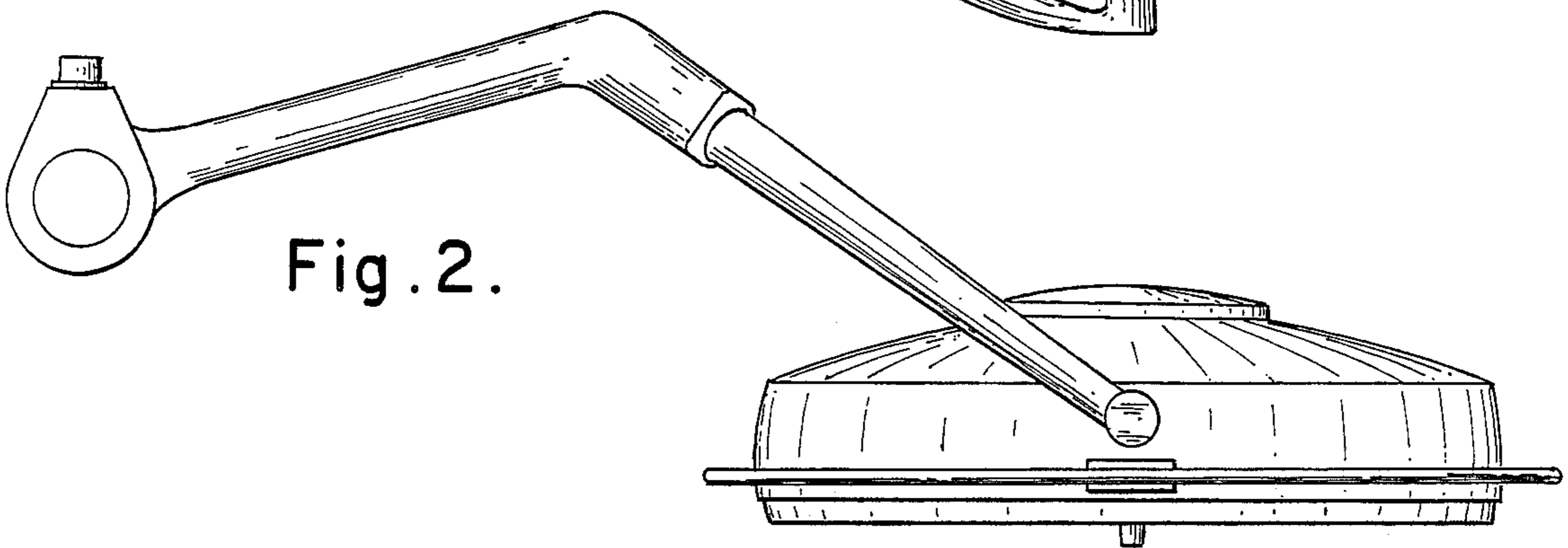


Fig. 3.

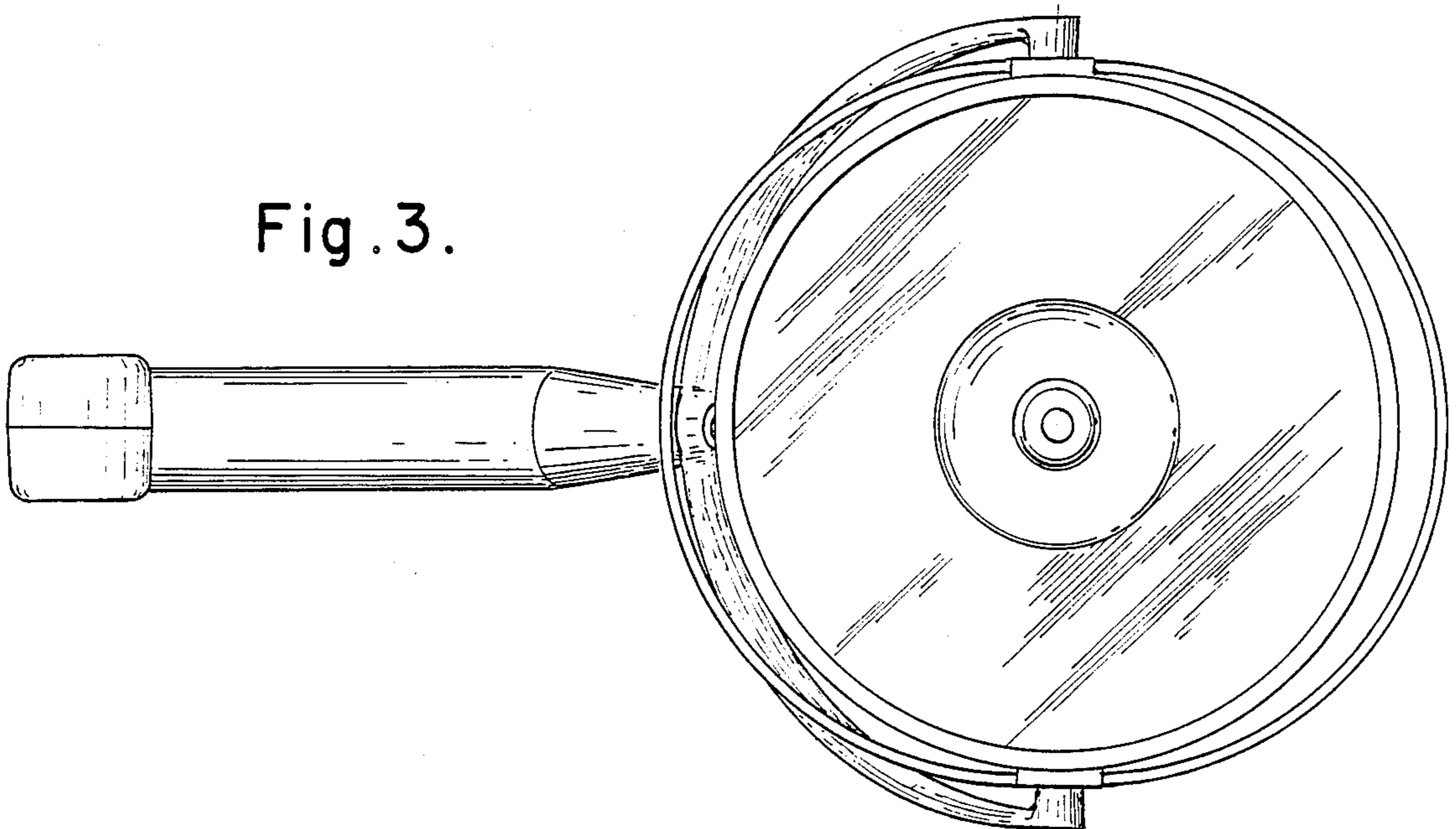


Fig. 4.

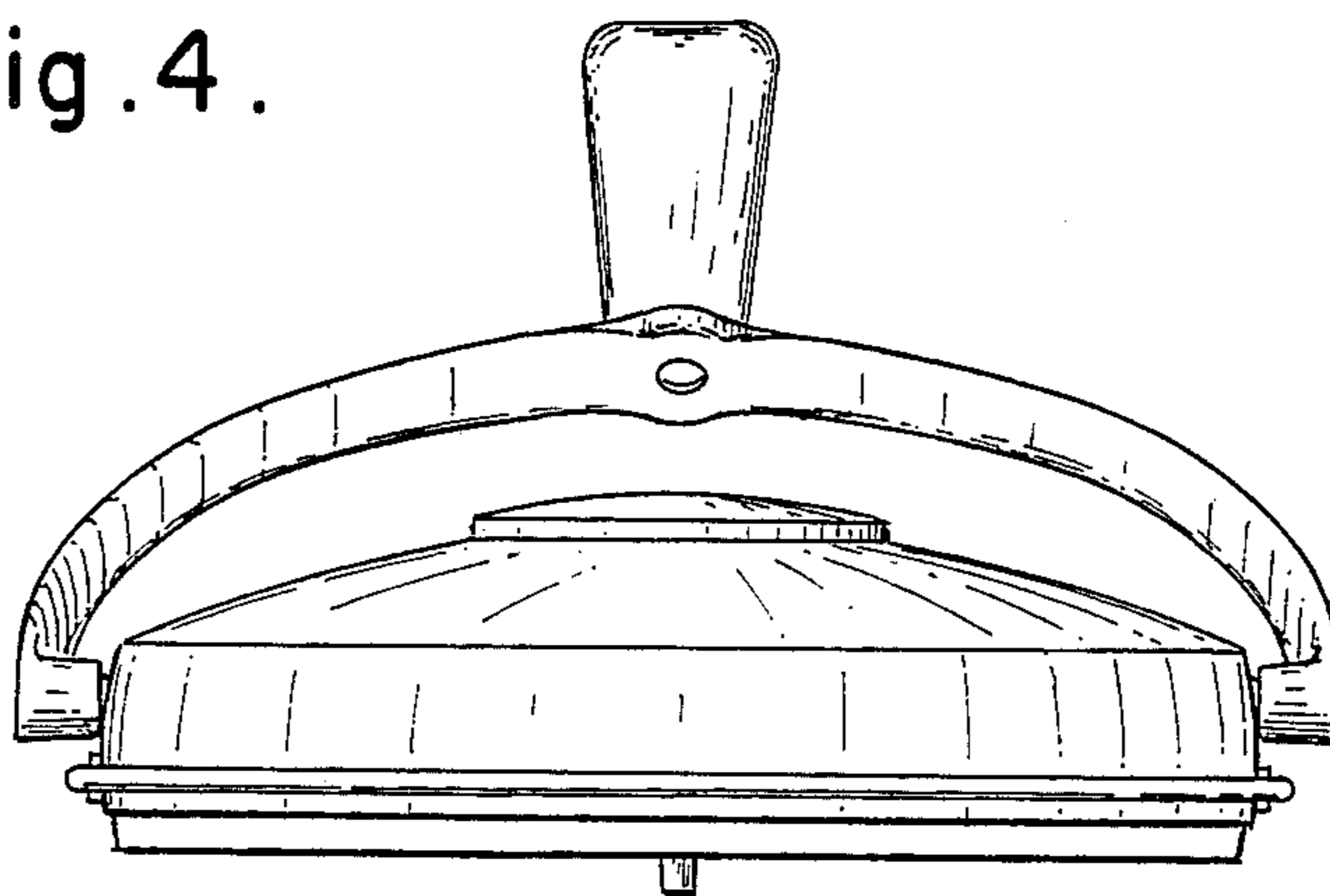


Fig. 5.

