

[54] **HOLDER FOR BOTTLE AND SYRINGE**

[76] **Inventor: Mark A. Janzen, R.F.D. 3, Newton, Kans. 67114**

[\*\*] **Term: 14 Years**

[21] **Appl. No.: 812,770**

[22] **Filed: Dec. 23, 1985**

[52] **U.S. Cl. .... D24/29; D8/373; D8/380**

[58] **Field of Search .... D24/34, 25, 29, 31; 248/309.1, 311.2, 311.3, 312, 313; 604/407, 414; D8/373, 354, 380**

[56] **References Cited**

**U.S. PATENT DOCUMENTS**

1,647,039	10/1927	Fischer	.....	248/309.1
2,627,857	2/1953	Marcelli	.....	604/407
2,677,372	5/1954	Barnish, Jr.	.....	604/414
3,840,011	10/1974	Wright	.....	604/407

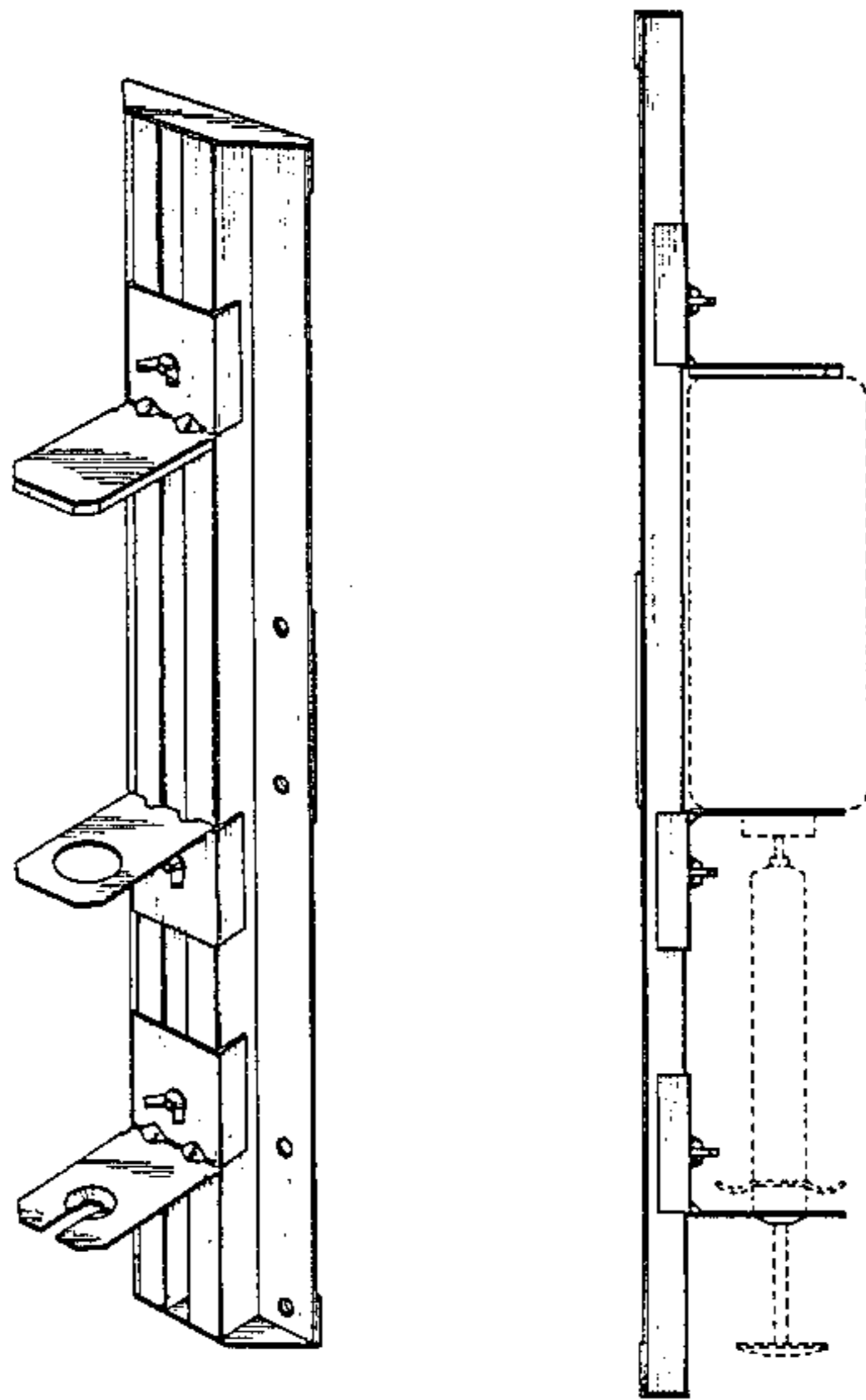
*Primary Examiner—A. Hugo Word*  
*Assistant Examiner—Stella M. Reid*  
*Attorney, Agent, or Firm—Kokjer, Kircher, Bradley, Wharton, Bowman & Johnson*

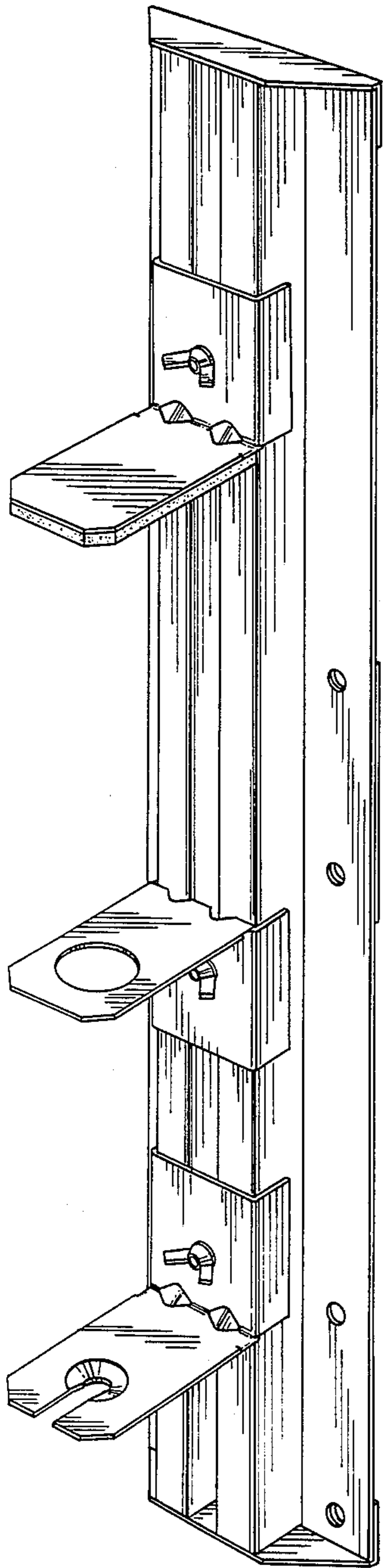
[57] **CLAIM**

The ornamental design for a holder for bottle and syringe, as shown and described.

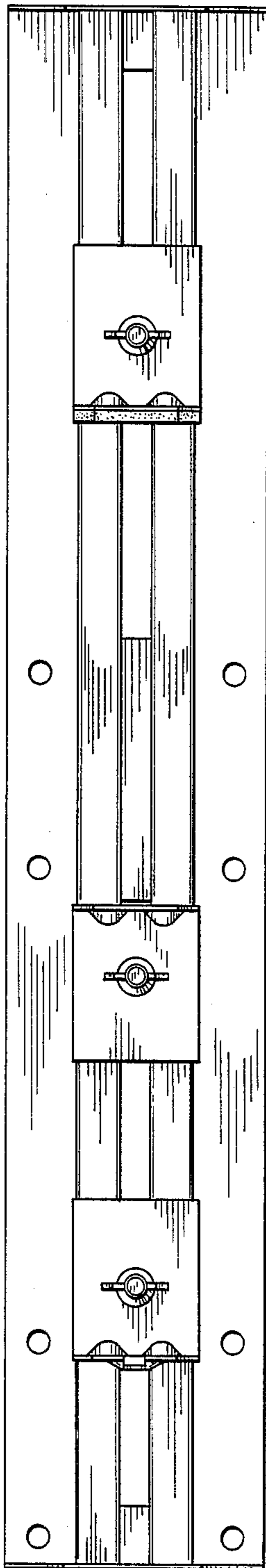
**DESCRIPTION**

FIG. 1 is a perspective view of a holder for bottle and syringe showing my new design;  
FIG. 2 is a front elevational view thereof;  
FIG. 3 is a side elevational view thereof, the opposite side being a mirror image;  
FIG. 4 is a rear elevational view thereof;  
FIG. 5 is a top plan view thereof; and  
FIG. 6 is a bottom plan view thereof.  
The broken line showing of the bottle and syringe in FIG. 3 is for illustrative purposes only and forms no part of the claimed design.

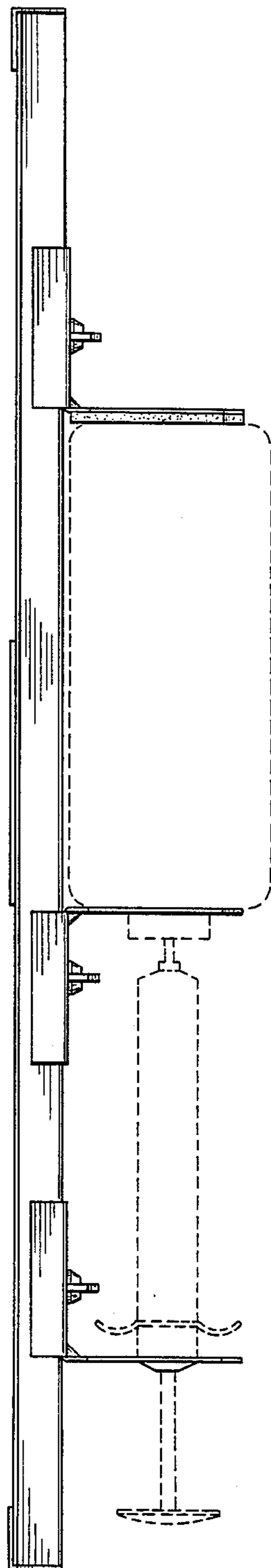




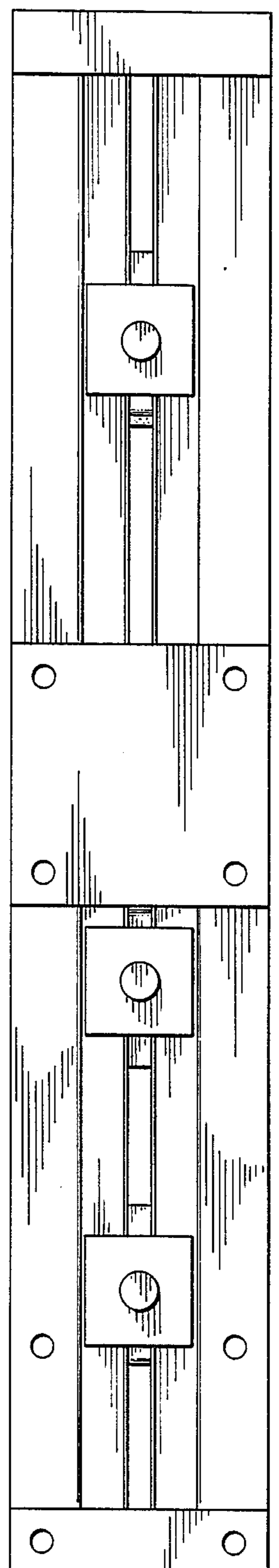
*Fig. 1.*



*Fig. 2.*

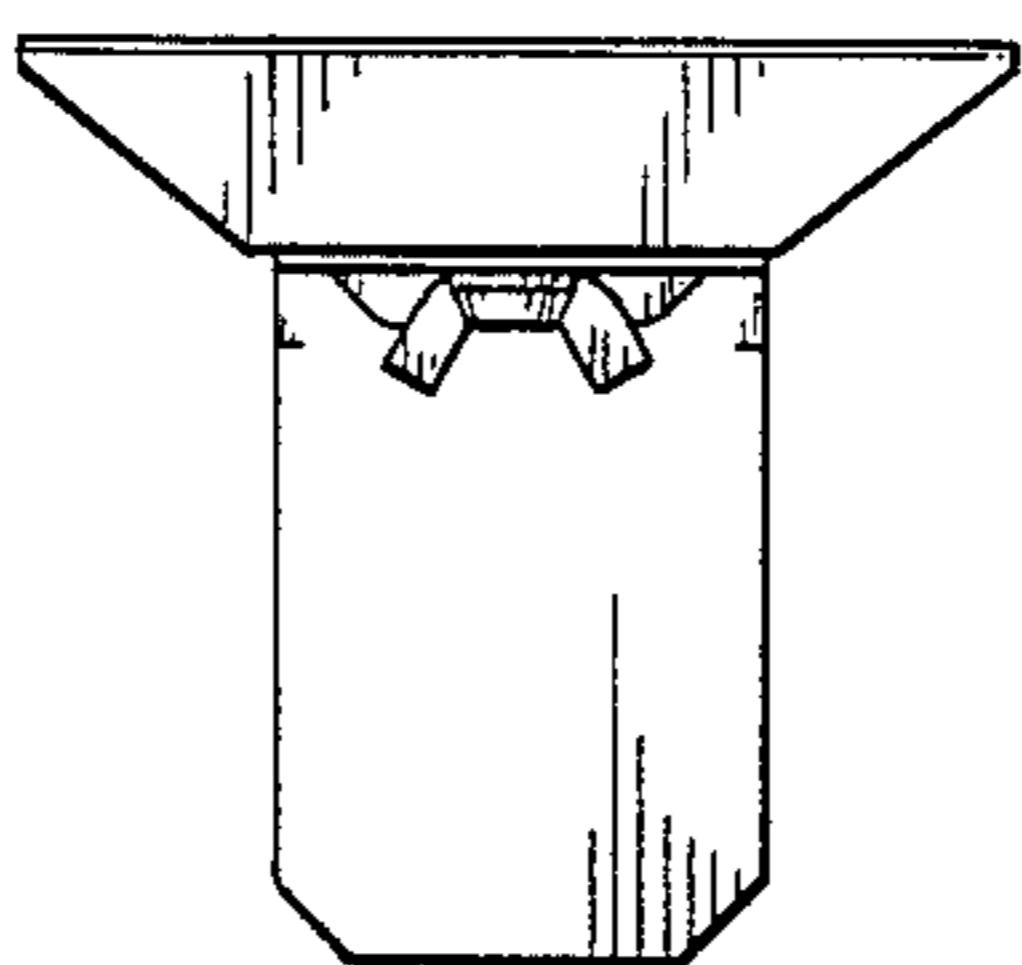


*Fig. 3.*



*Fig. 4.*

*Fig. 5.*



*Fig. 6.*

