

[54] **SKIN MICROPUNCTURE IMPLEMENT**
[75] **Inventor: Michel Galy, Saint Loup, France**
[73] **Assignee: Institut Merieux, Lyons, France**
[**] **Term: 14 Years**
[21] **Appl. No.: 28,019**
[22] **Filed: Mar. 17, 1987**

Related U.S. Application Data

[63] Continuation of Ser. No. 470,395, Feb. 28, 1983, abandoned.

[30] **Foreign Application Priority Data**

Aug. 26, 1982 [FR] France 82 2926
[52] **U.S. Cl. D24/24**
[58] **Field of Search D24/23, 24, 25, 28,
D24/29; 604/22, 46, 47**

[56] **References Cited**

U.S. PATENT DOCUMENTS

3,688,764 9/1972 Reed 604/46 X
4,109,655 8/1978 Chacornac 604/47

FOREIGN PATENT DOCUMENTS

974614 11/1964 United Kingdom 604/46

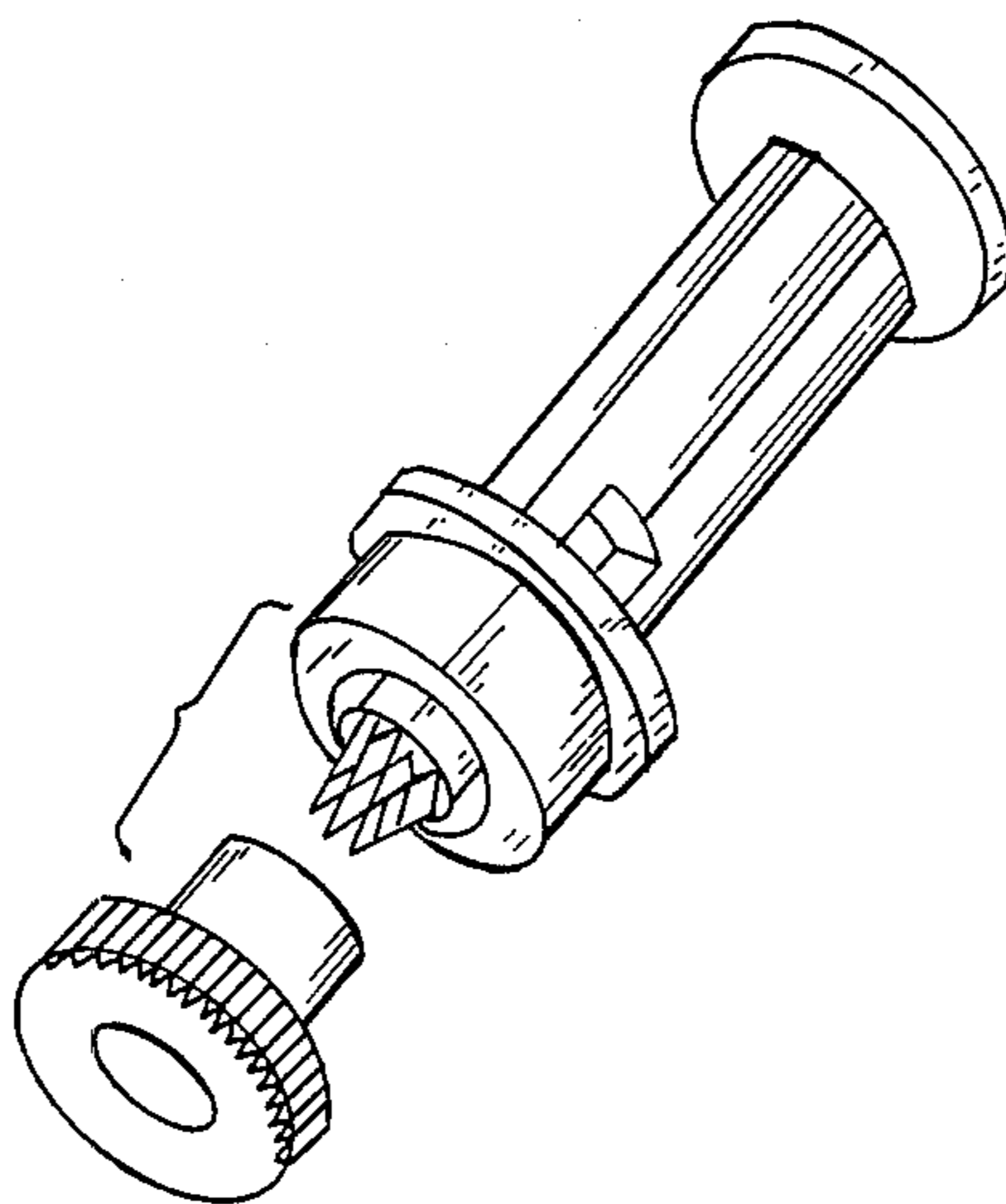
Primary Examiner—A. Hugo Word
Assistant Examiner—Stella M. Reid
Attorney, Agent, or Firm—Brisebois & Kruger

[57] **CLAIM**

The ornamental design for a skin micropuncture implement, as shown and described.

DESCRIPTION

FIG. 1 is an exploded perspective view of a skin micropuncture implement showing my new design;
FIG. 2 is a top plan view thereof;
FIG. 3 is a bottom plan view of the implement with the cover removed;
FIG. 4 is a front elevational view thereof with the cover removed;
FIG. 5 is a side elevational view thereof with the cover removed;
FIG. 6 is a perspective view of the skin micropuncture implement;
FIG. 7 is a front elevational view thereof;
FIG. 8 is a side elevational view thereof;
FIG. 9 is a top plan view thereof;
FIG. 10 is a bottom plan view thereof;
FIG. 11 is a side view of the cover;
FIG. 12 is a top plan view of the cover; and
FIG. 13 is a bottom plan view of the cover.



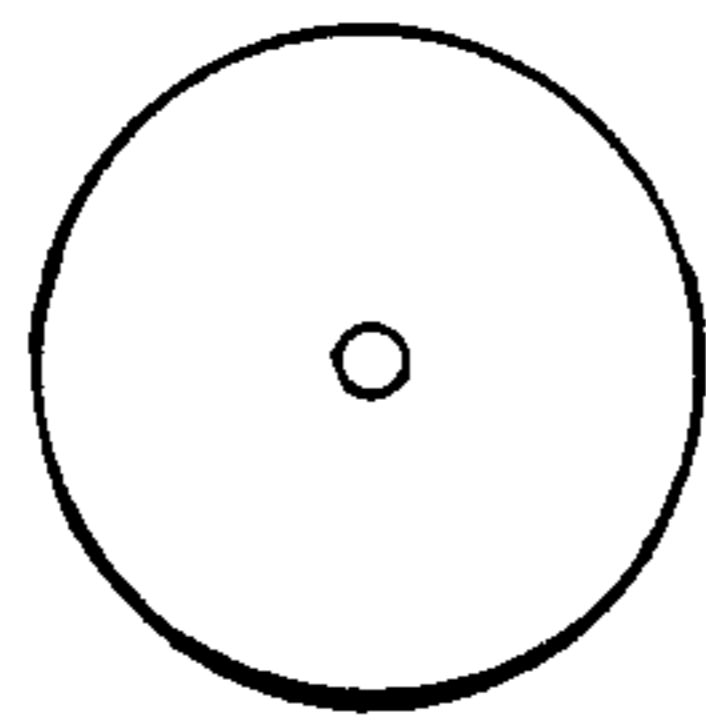


FIG. 2.

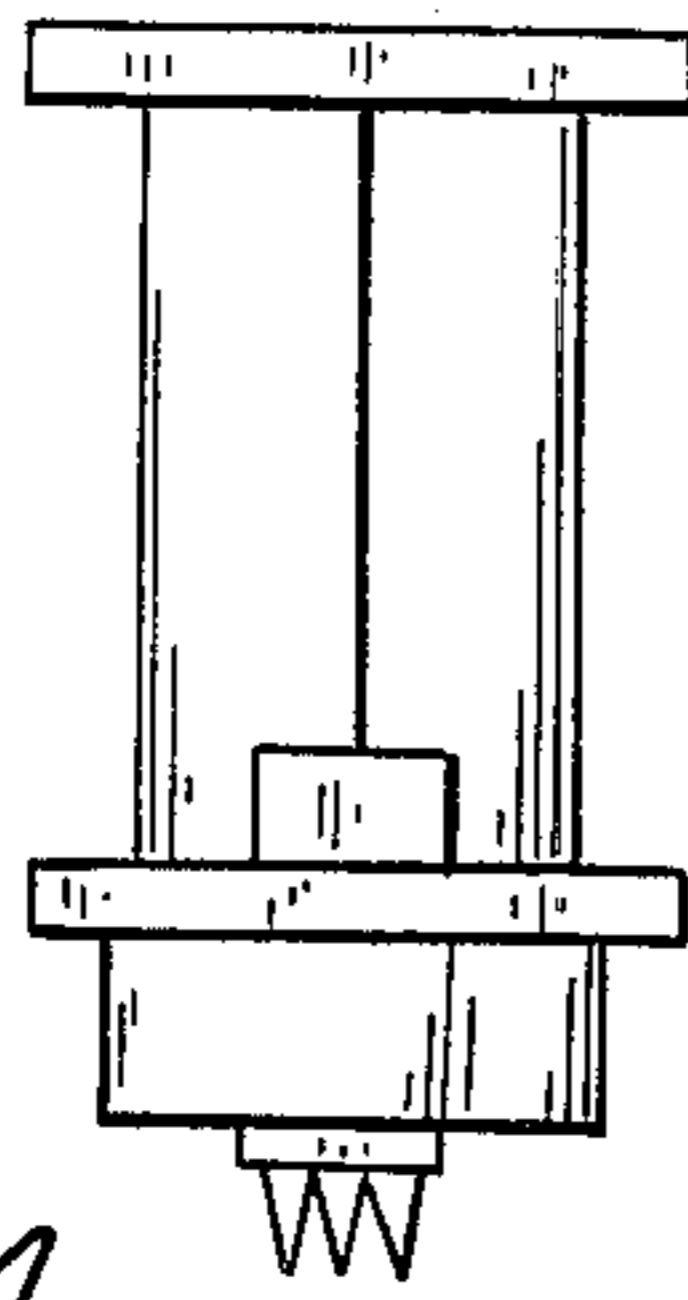


FIG. 4.

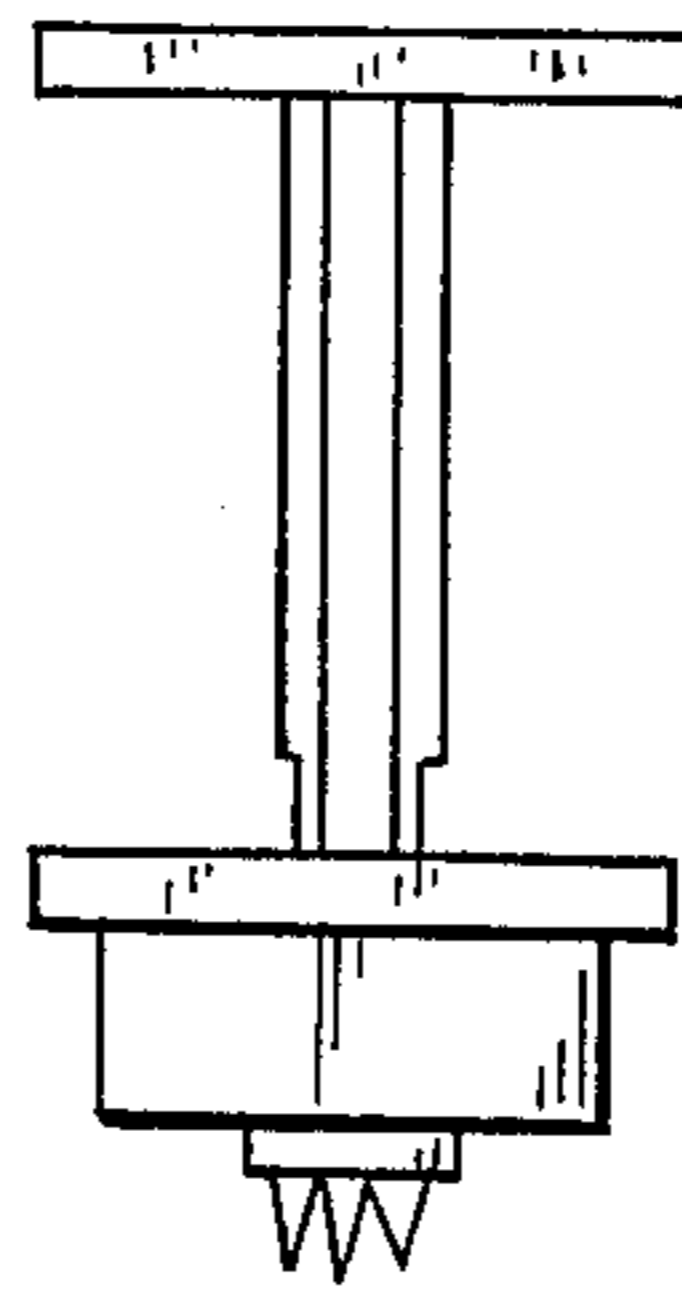


FIG. 5.

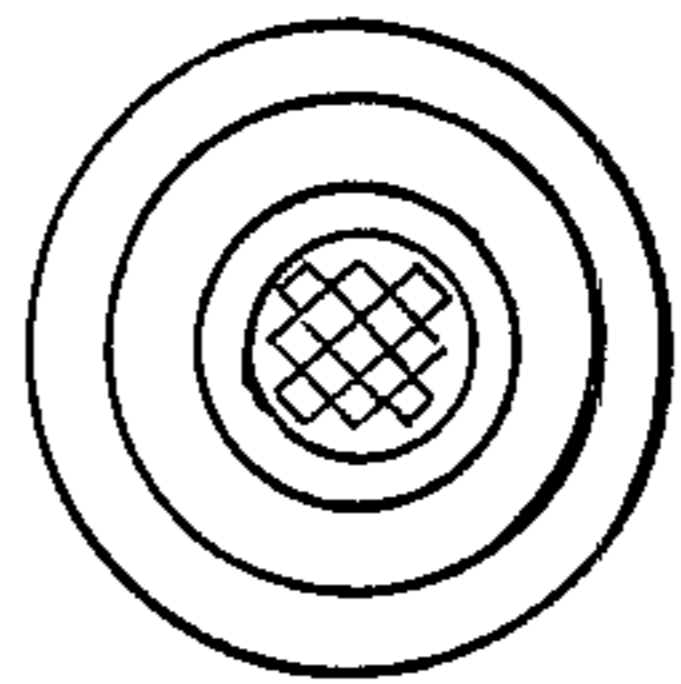


FIG. 3.

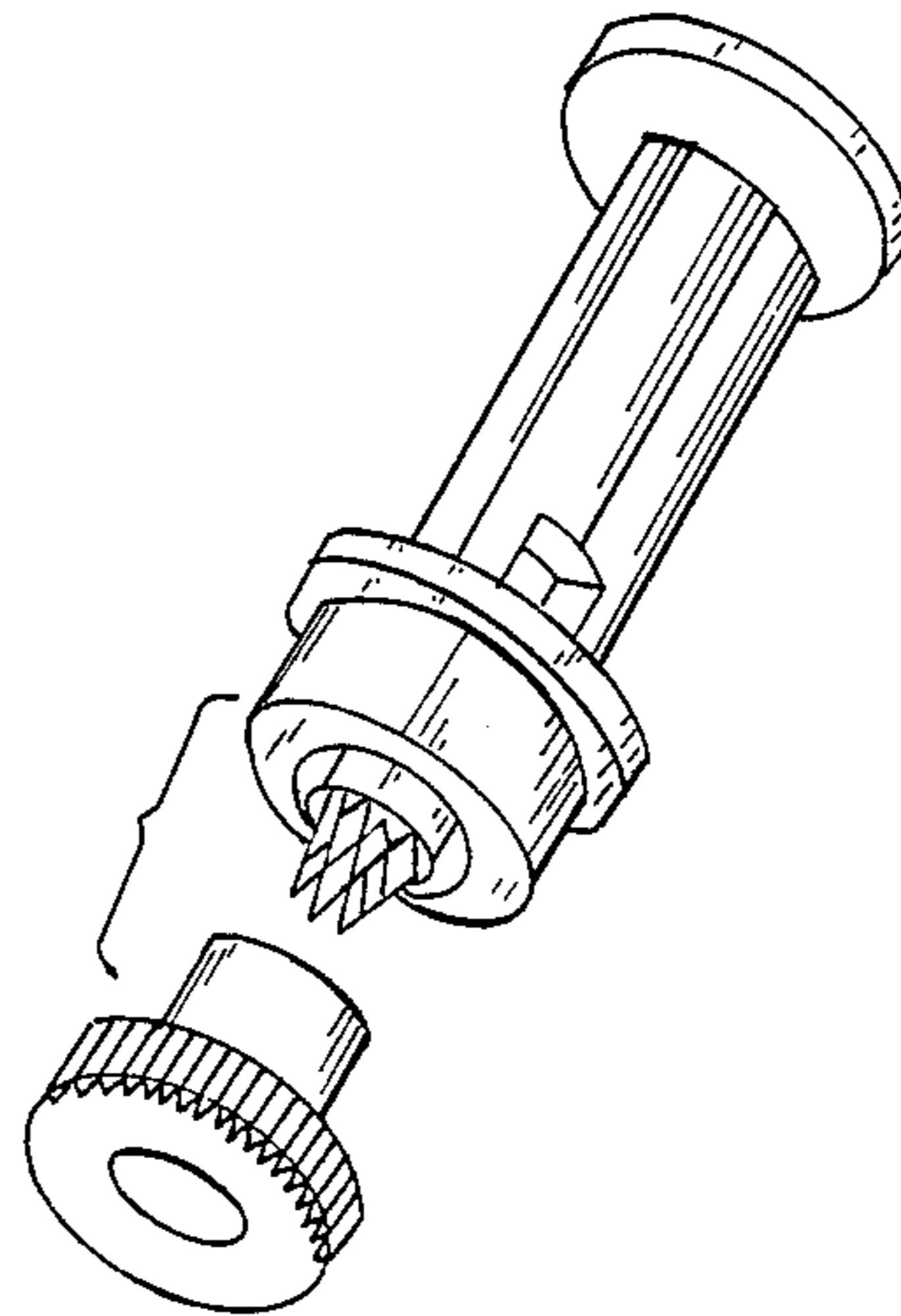


FIG. 1.

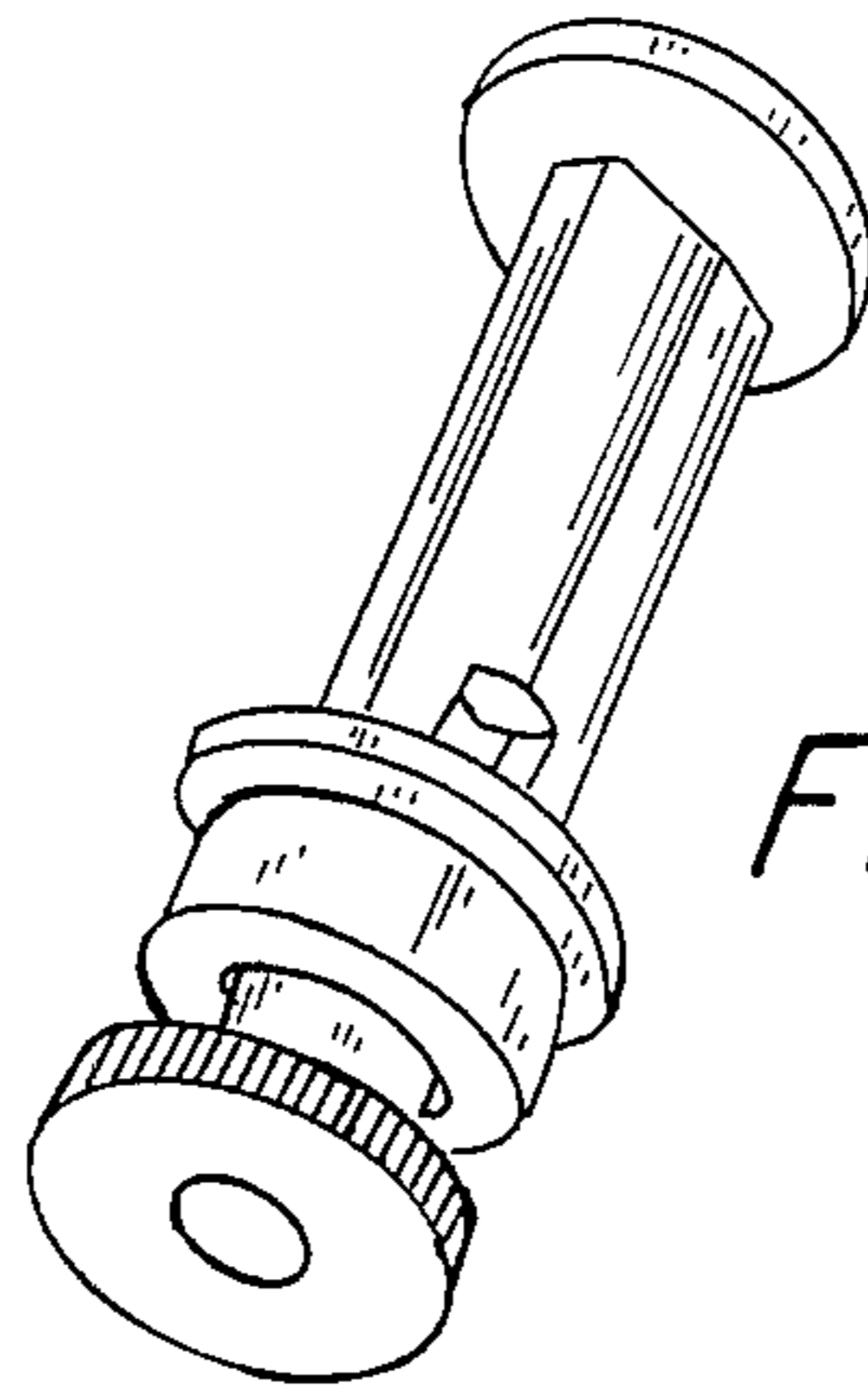


FIG. 6.

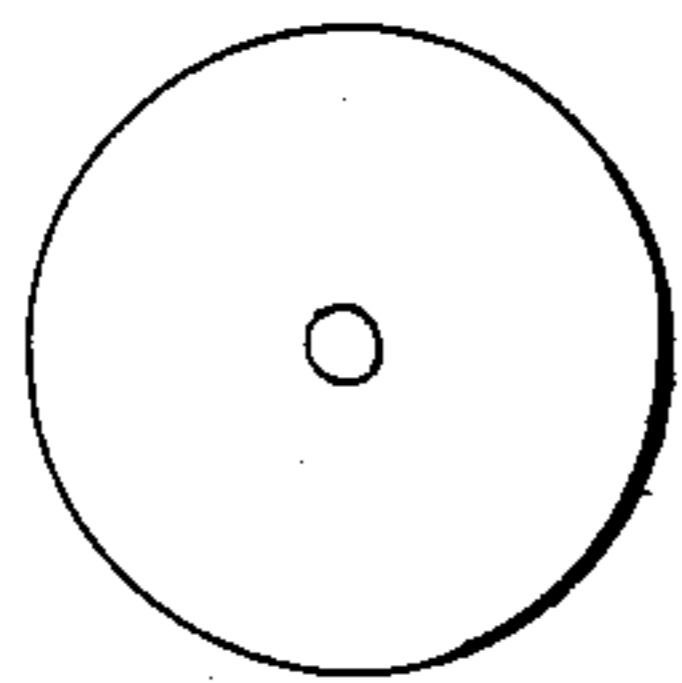


FIG. 9.

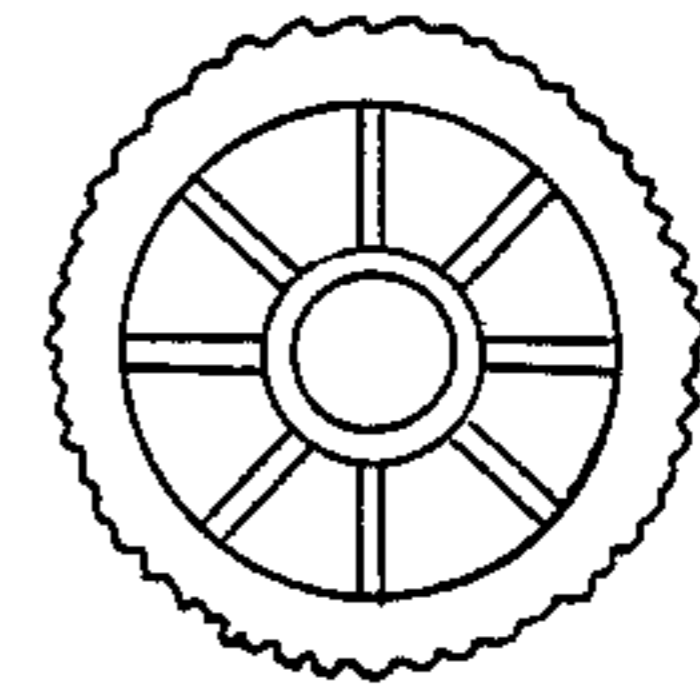


FIG. 12.

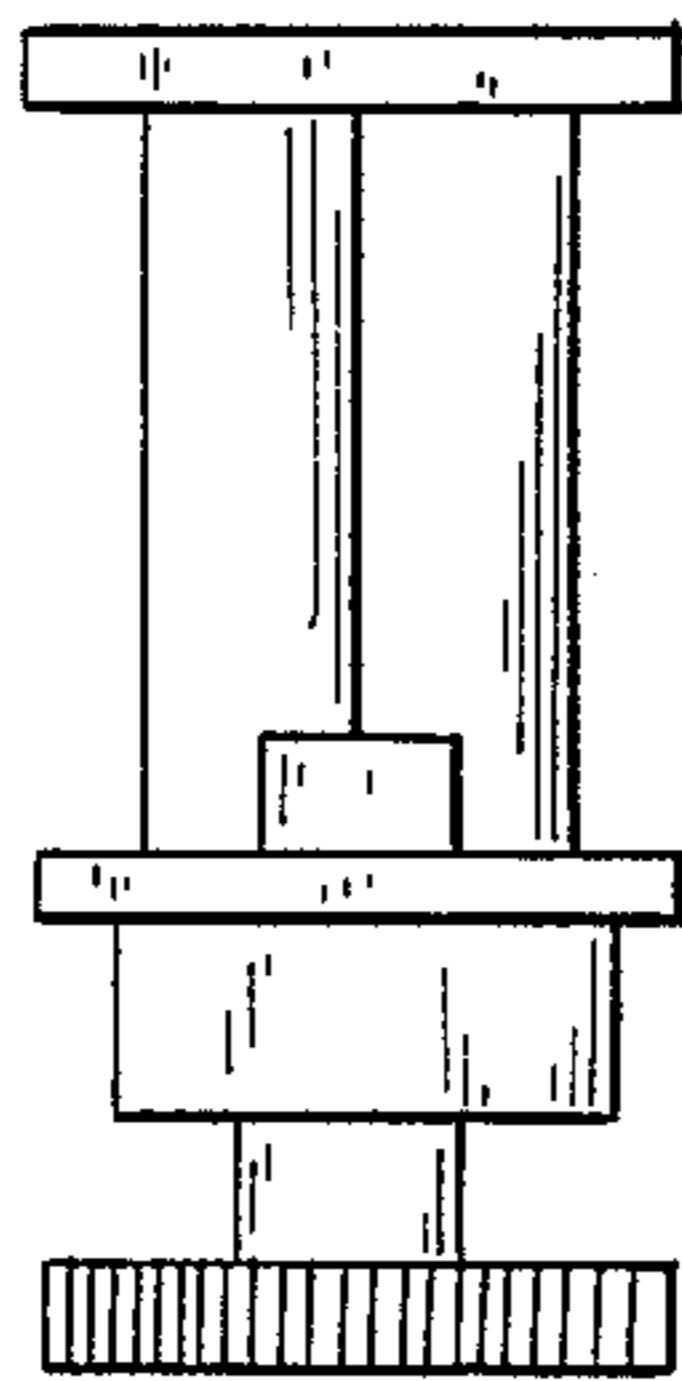


FIG. 7.

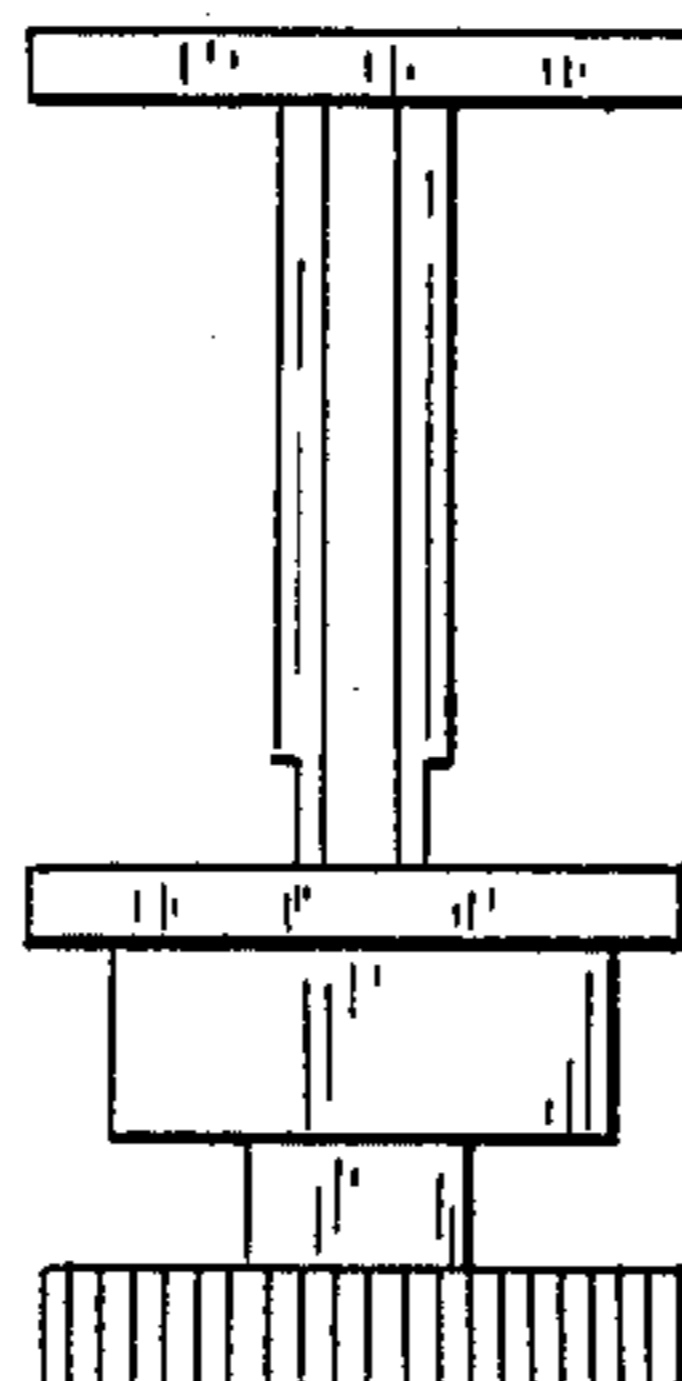


FIG. 8.

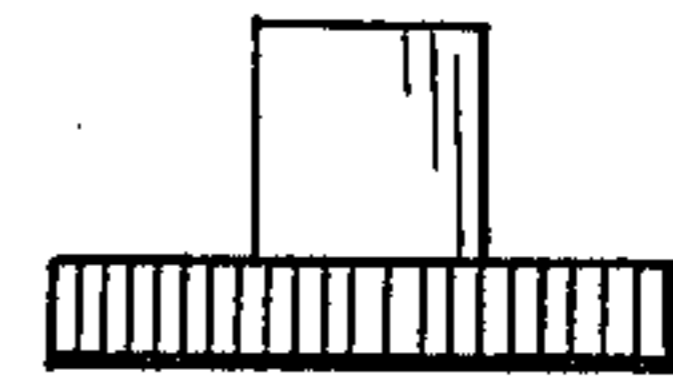


FIG. 11.

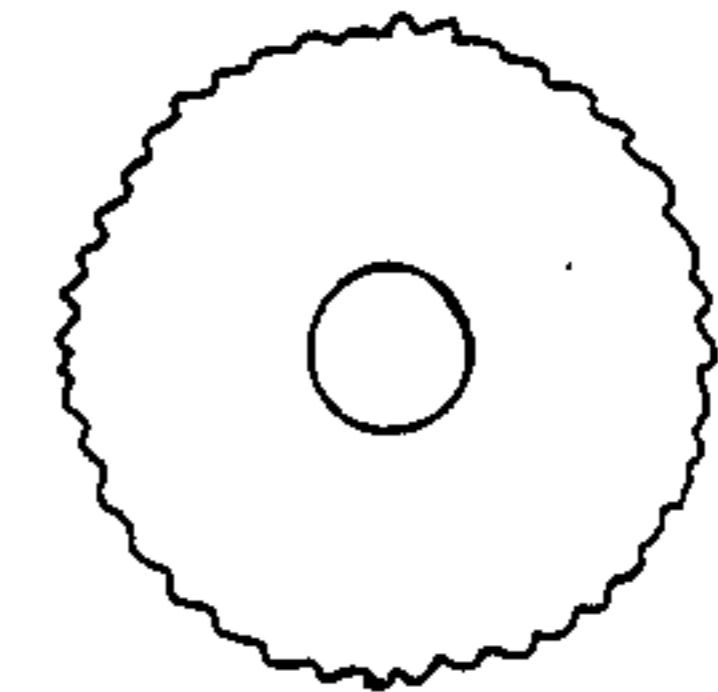


FIG. 13.

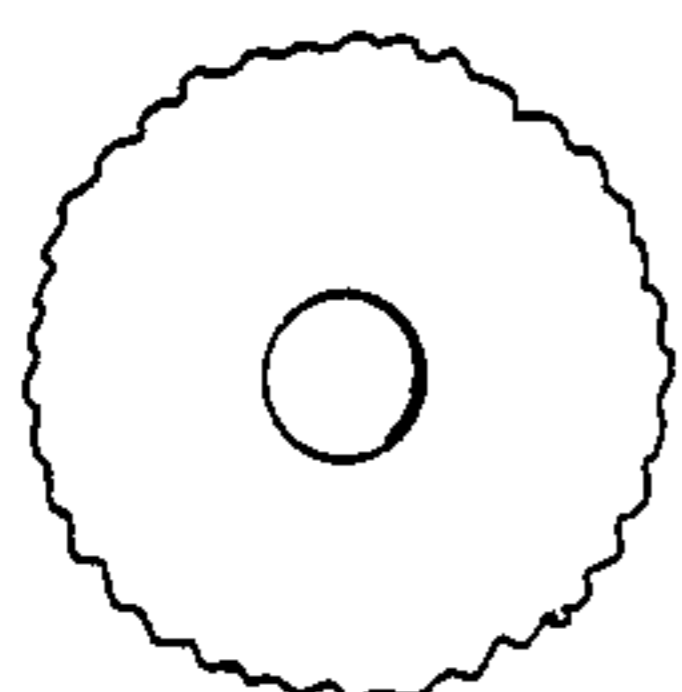


FIG. 10.