

[54] **SENSOR SUPPORT PLATE FOR USE WITH AN EXTERNAL MEDICAL MONITOR DEVICE**

[76] Inventors: **Edward H. Hon; Edward D. Hon**, both of 11 Bradbury Hills Rd., Bradbury, Calif. 91010; **Robert W. Hon**, 483 Panchita Way, Los Altos, Calif. 94022

[\*\*] Term: **14 Years**

[21] Appl. No.: **936,334**

[22] Filed: **Dec. 1, 1986**

[52] U.S. Cl. .... **D24/17; D24/8**

[58] Field of Search ..... **D24/8, 17, 29; 128/672, 128/687, 639-640, 802-803, 782, 774-775, 778, 780, 715, 798**

[56] **References Cited**

**U.S. PATENT DOCUMENTS**

3,299,882	1/1967	Masino .....	128/687 X
3,420,223	1/1969	Day et al. ....	128/639
3,520,294	7/1970	Fuzzell et al. ....	128/775
3,913,563	10/1975	Ball .....	128/775
3,945,373	3/1976	Tweed et al. ....	128/782
4,583,551	4/1986	Pike .....	128/640

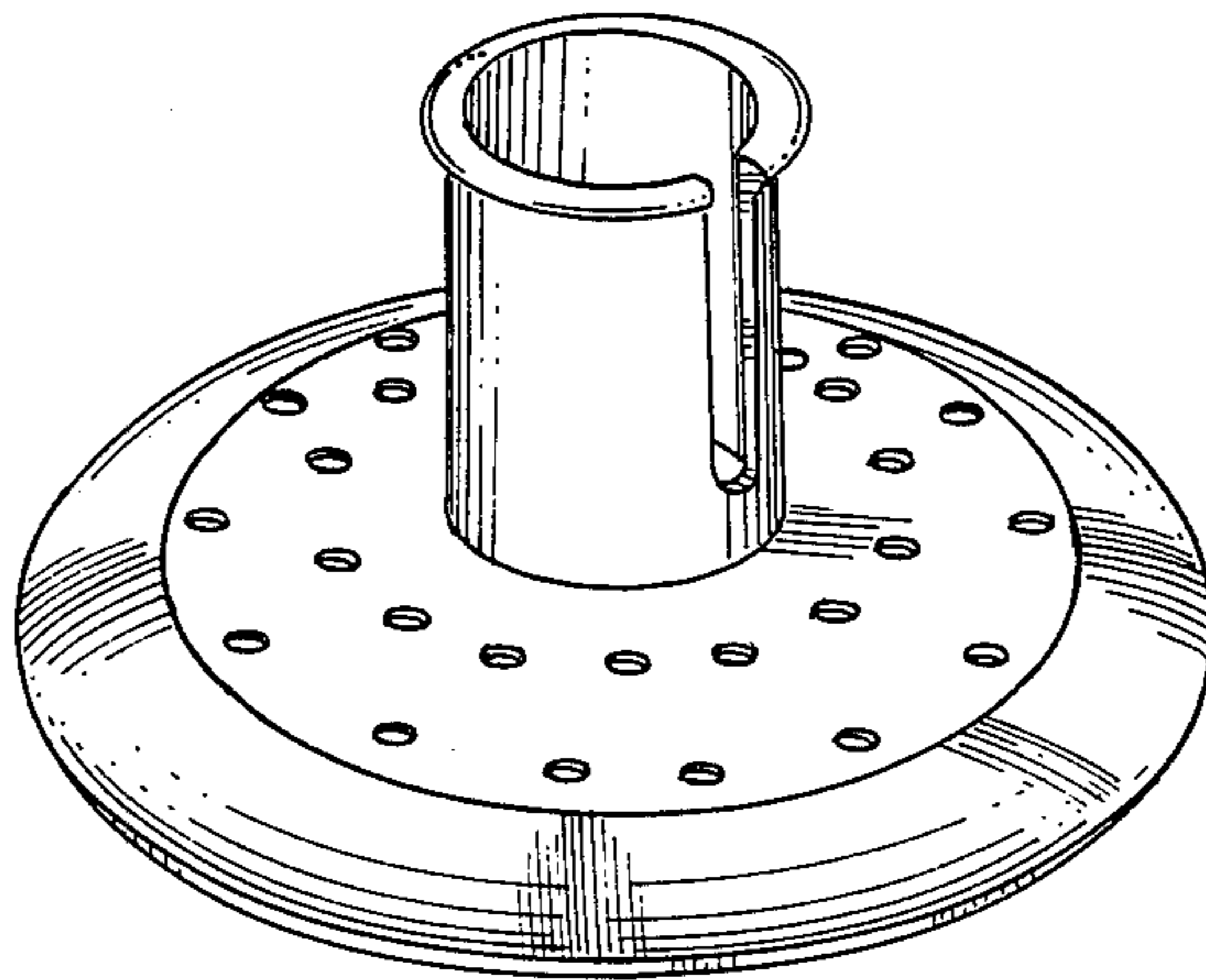
*Primary Examiner*—A. Hugo Word  
*Assistant Examiner*—Stella M. Reid  
*Attorney, Agent, or Firm*—Lewis Anten

[57] **CLAIM**

The ornamental design for a sensor support plate for use with an external medical monitor device, as shown and described.

**DESCRIPTION**

FIG. 1 is a right perspective view of a sensor support plate for use with an external medical monitor device showing our new design;  
 FIG. 2 is a front elevational view thereof;  
 FIG. 3 is a rear elevational view thereof;  
 FIG. 4 is a top plan view thereof;  
 FIG. 5 is a bottom plan view thereof;  
 FIG. 6 is a right perspective view of an alternate embodiment of FIG. 1;  
 FIG. 7 is a right elevational view thereof;  
 FIG. 8 is a top plan view thereof;  
 FIG. 9 is a bottom plan view thereof;  
 FIG. 10 is a right perspective view of a second alternate embodiment of FIG. 1;  
 FIG. 11 is a side elevational view thereof;  
 FIG. 12 is a top plan view thereof; and  
 FIG. 13 is a bottom plan view thereof.



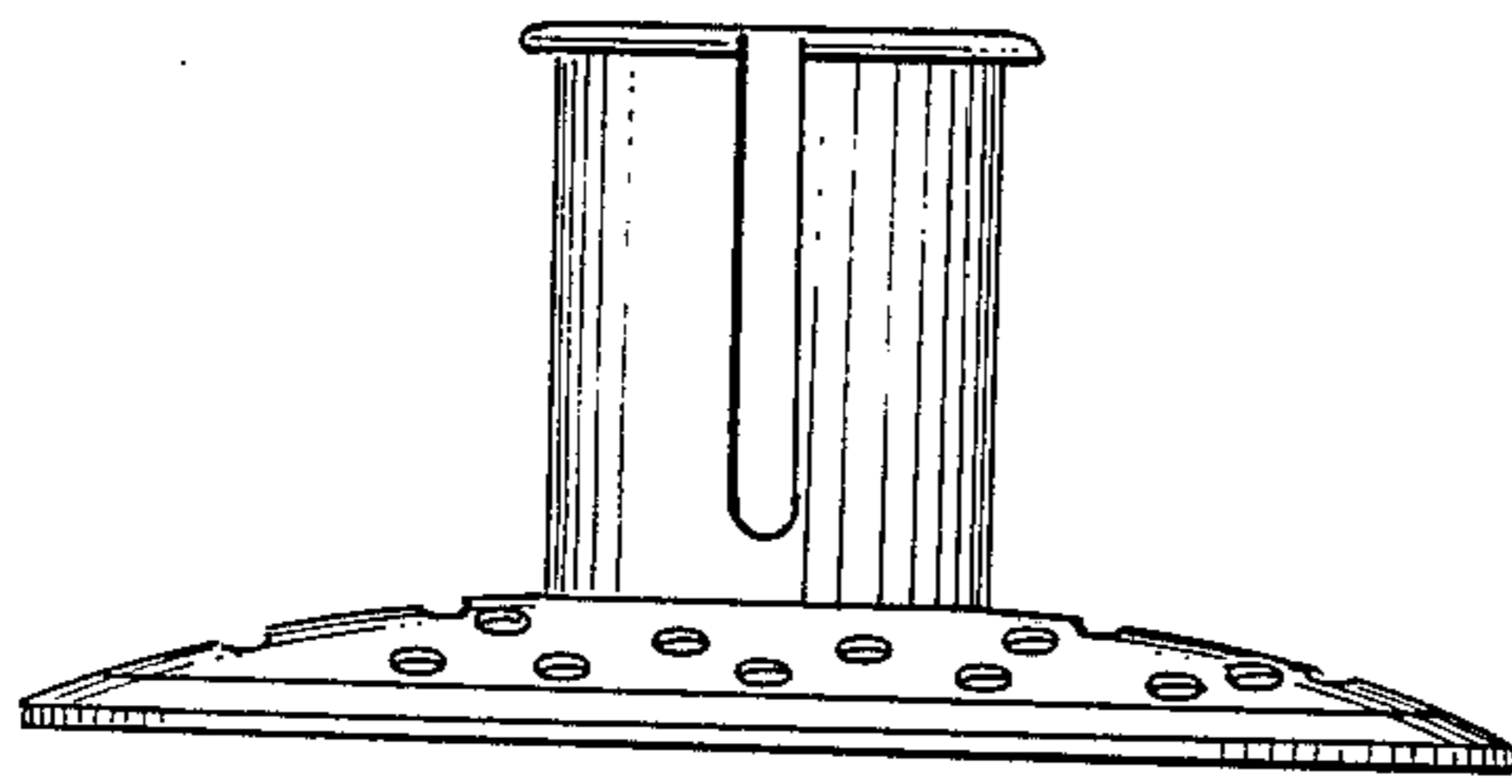
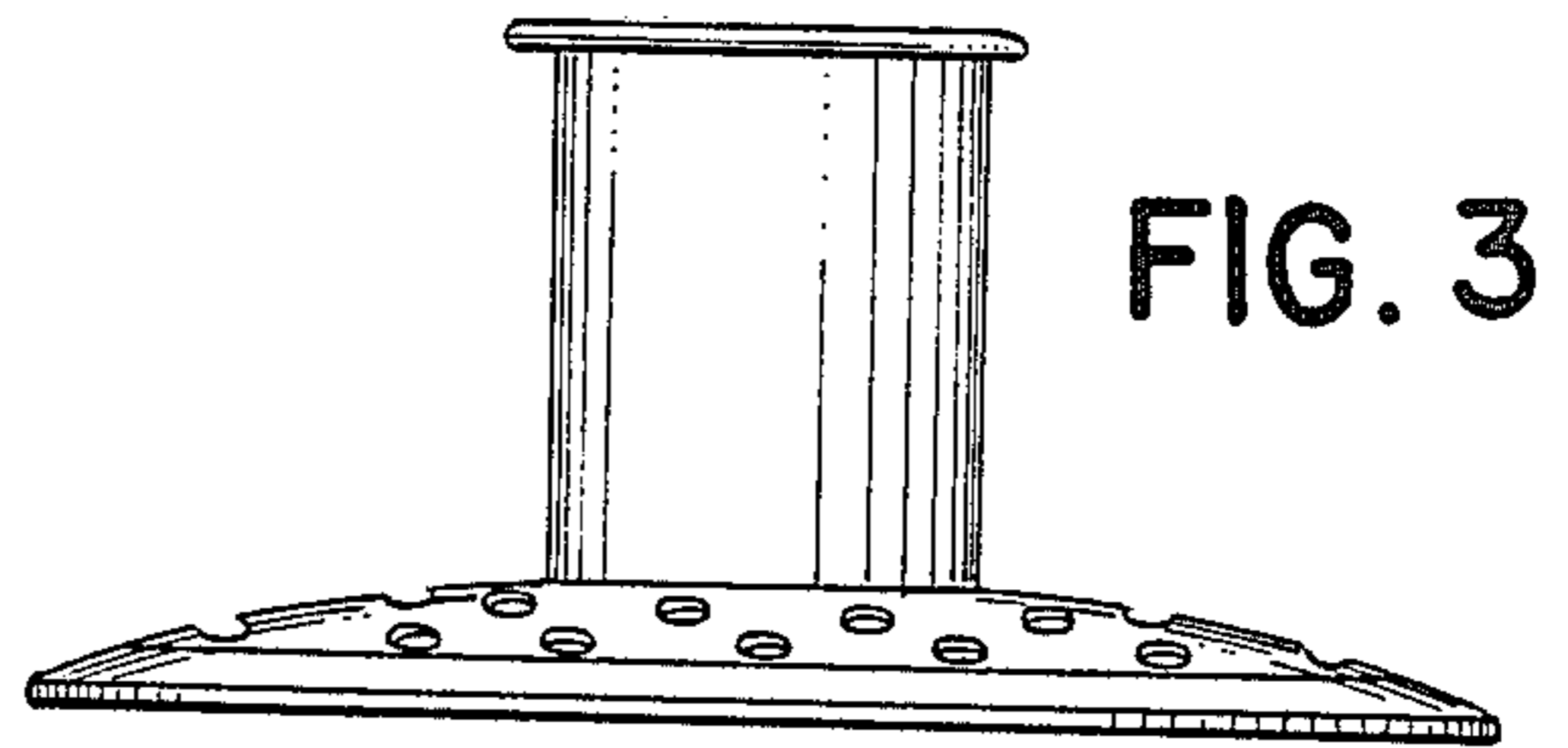
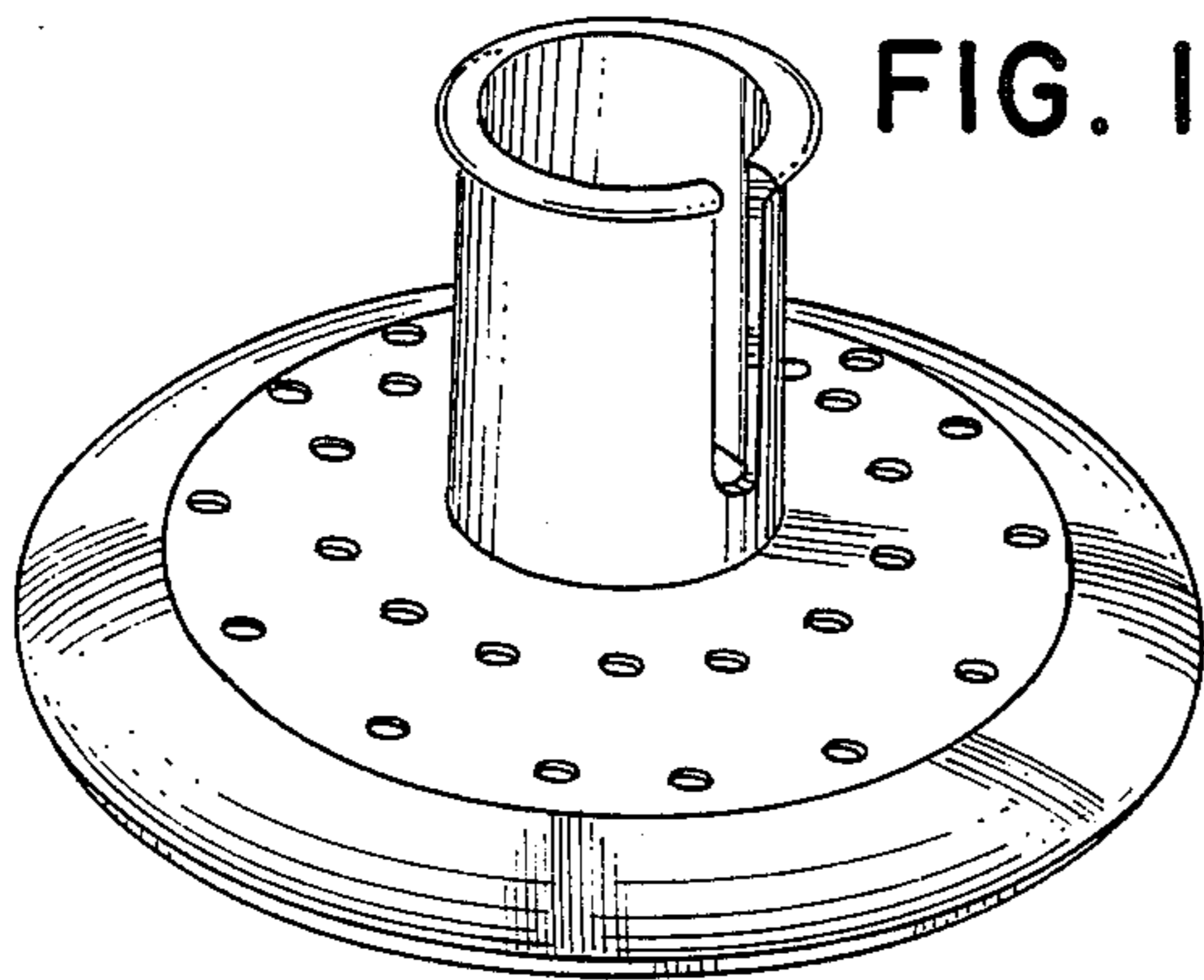


FIG. 2

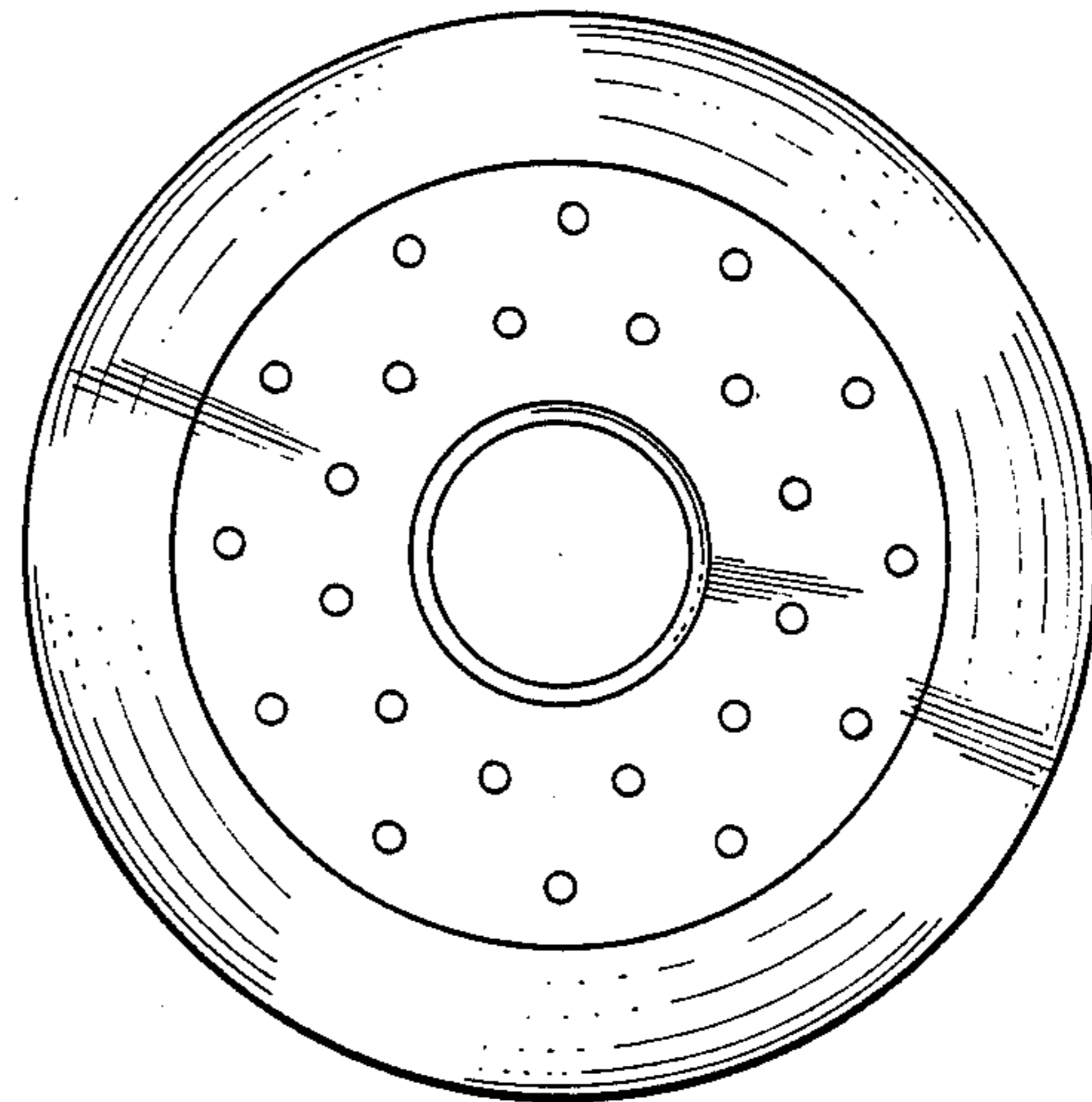


FIG. 5

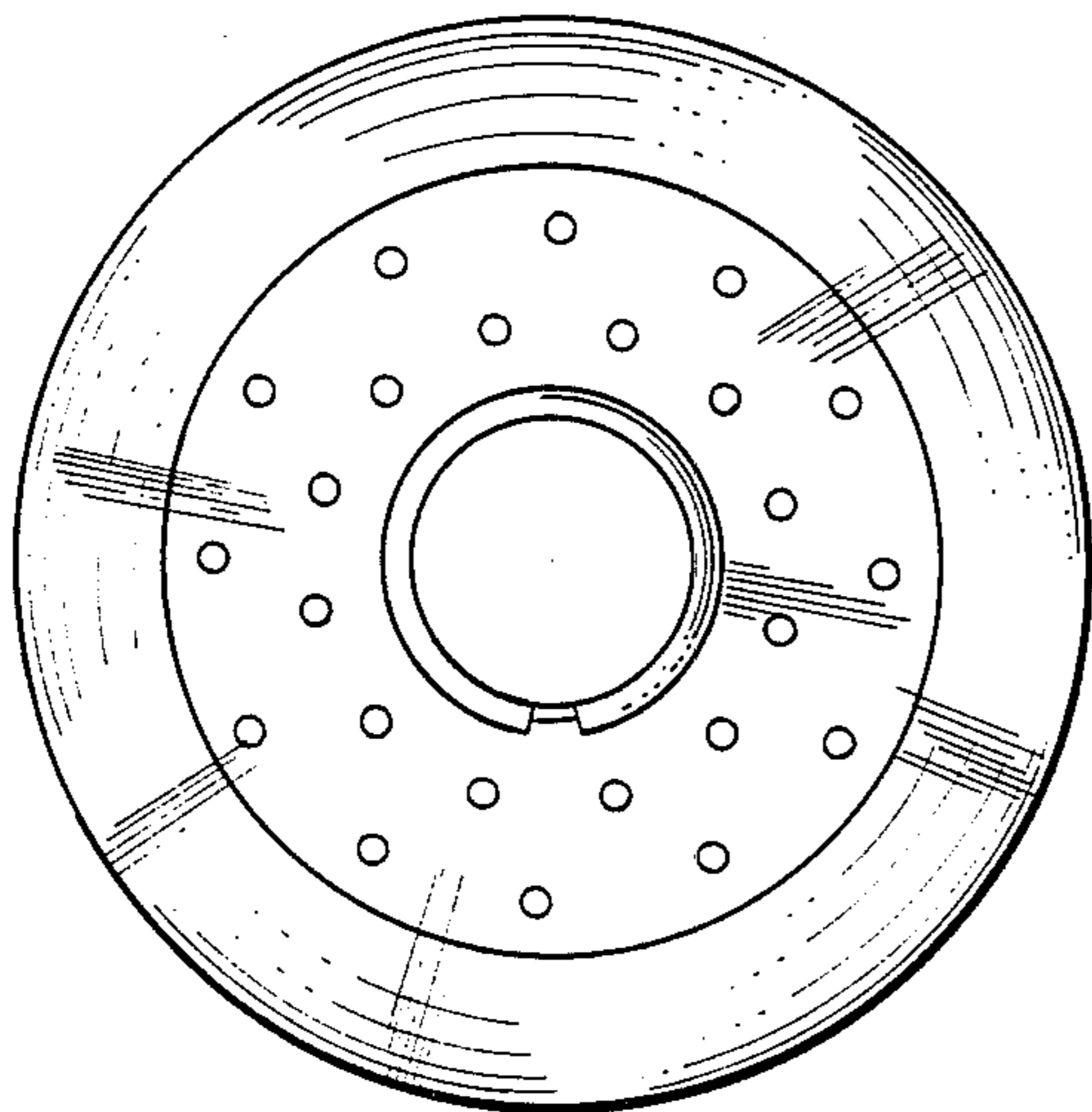


FIG. 4

FIG. 6

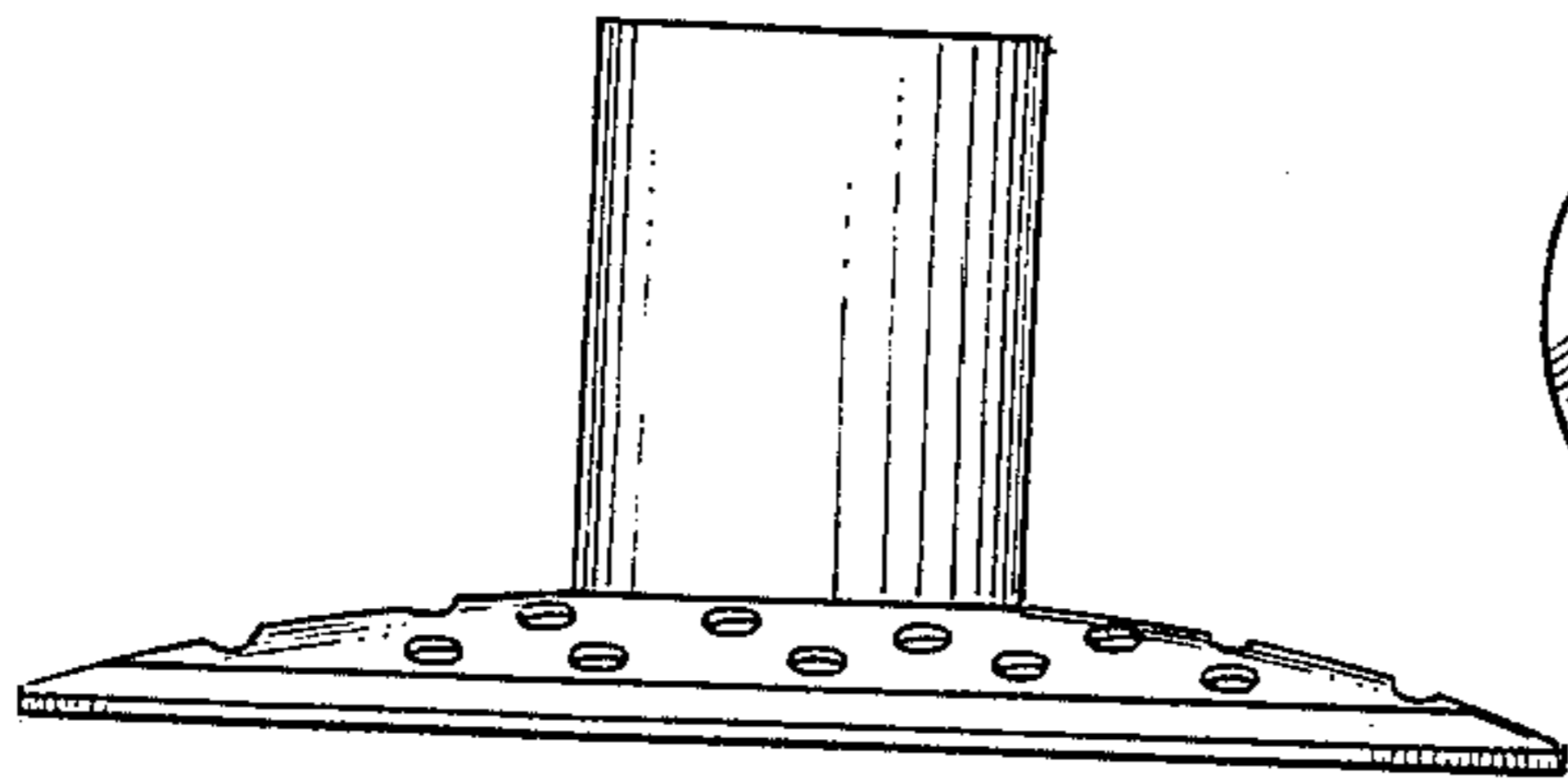
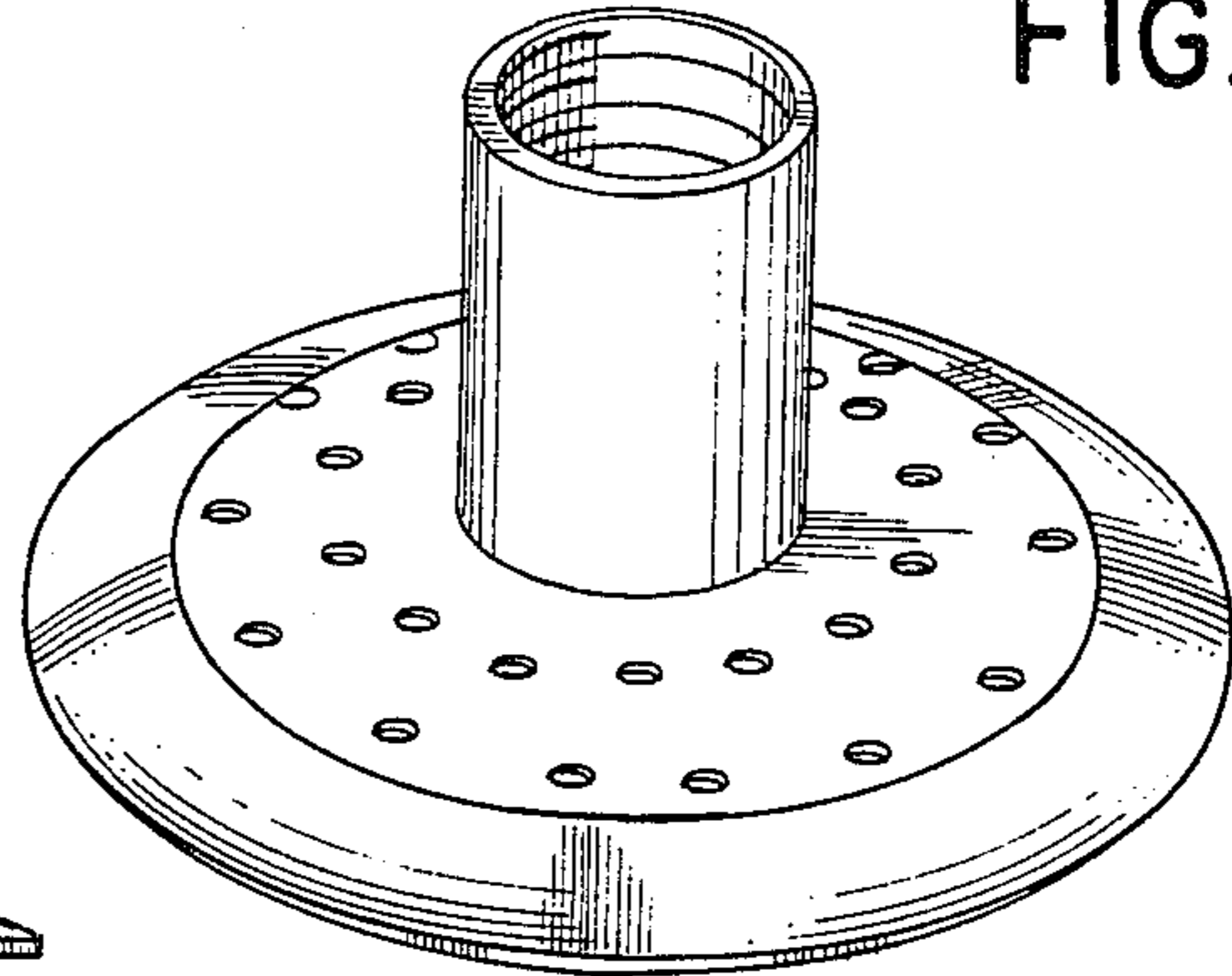


FIG. 7

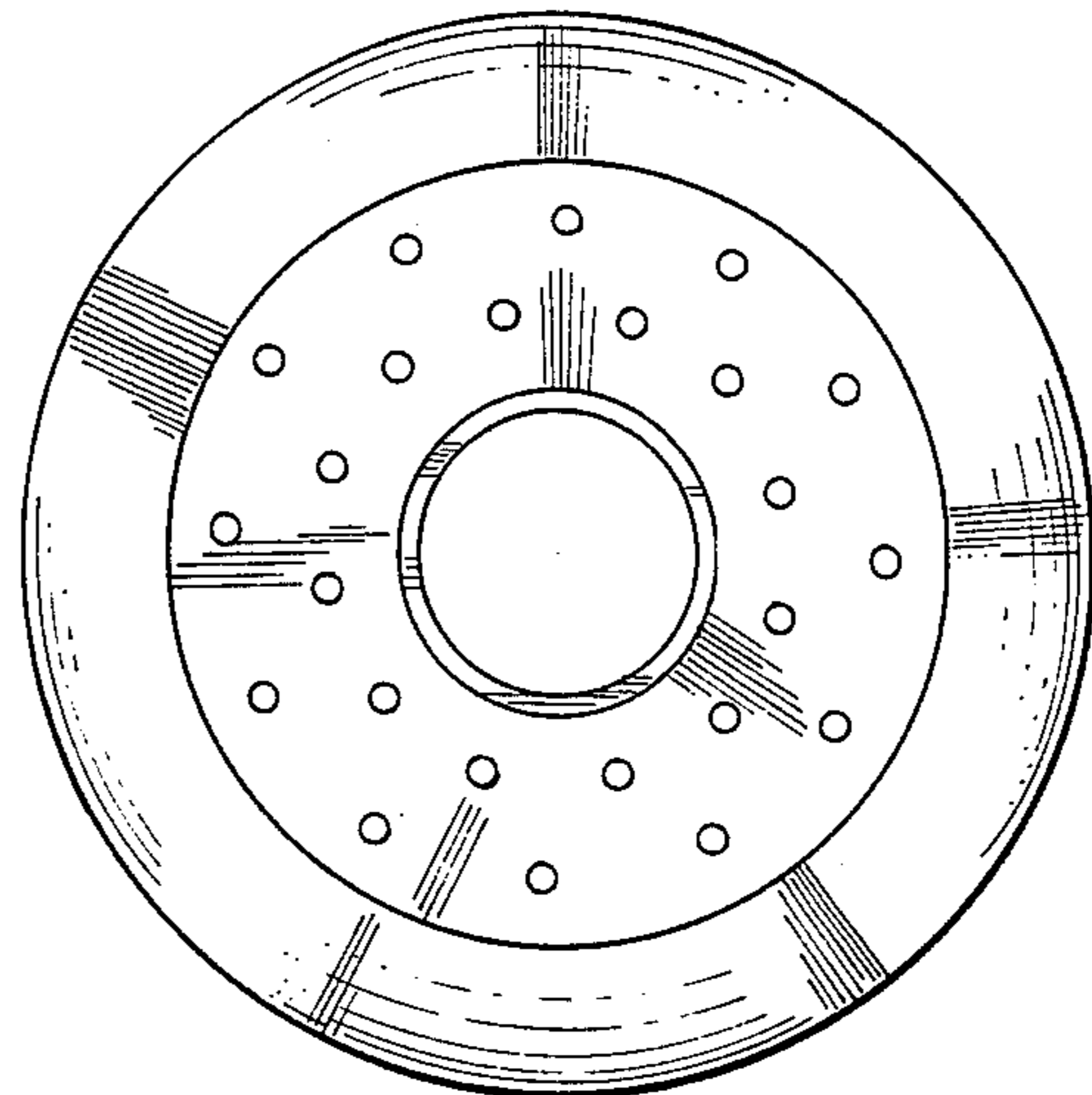


FIG. 8

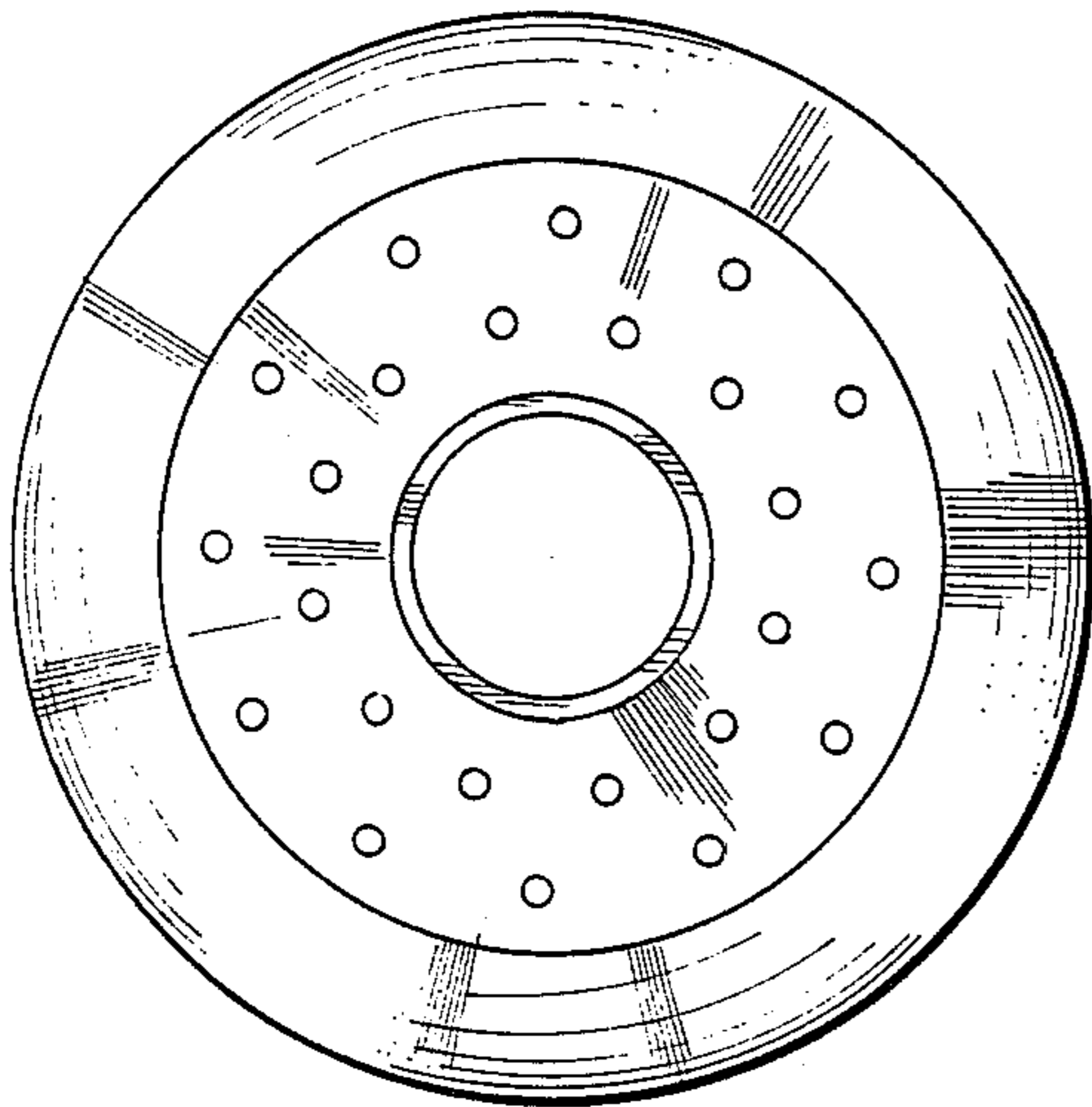


FIG. 9

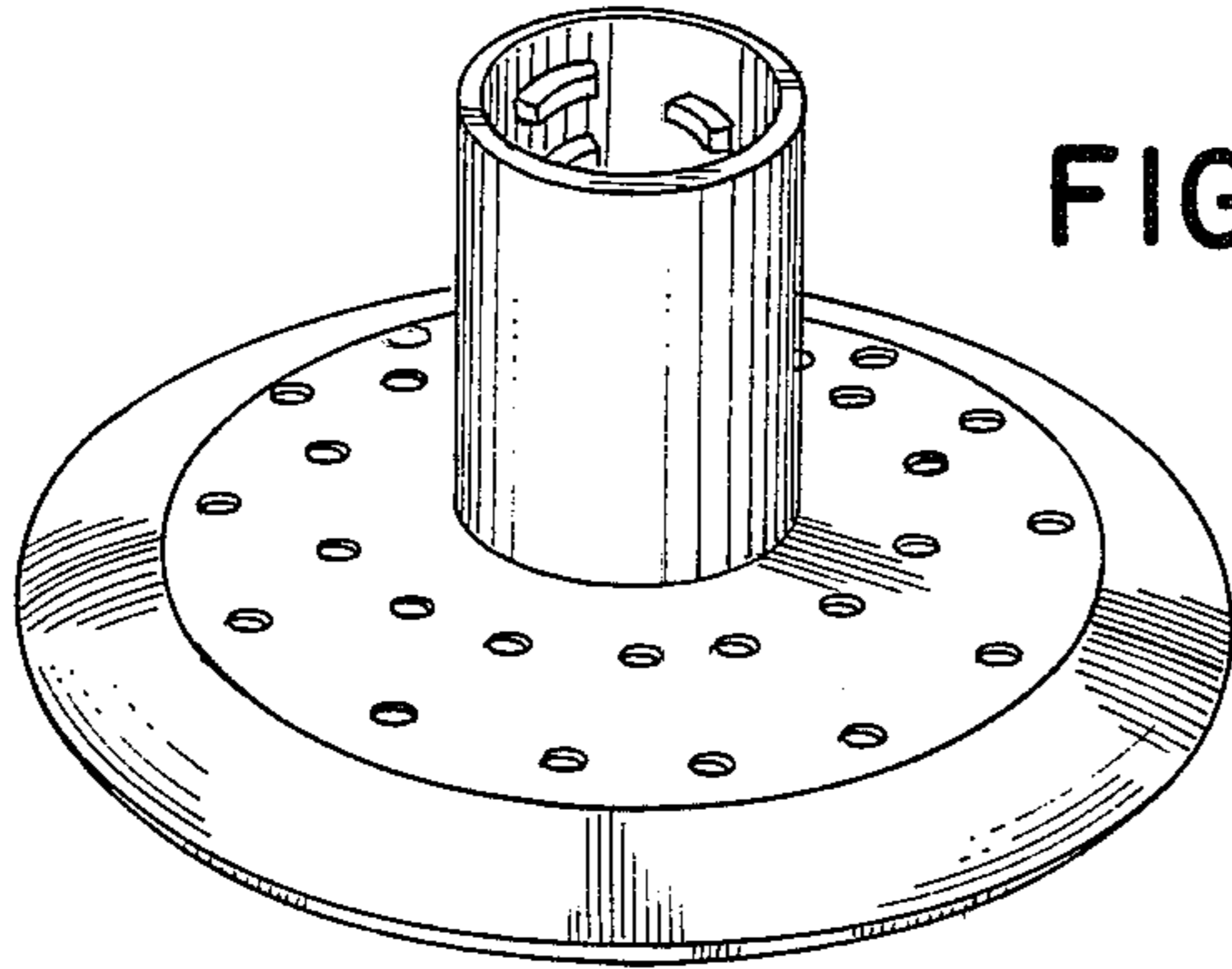


FIG. 10

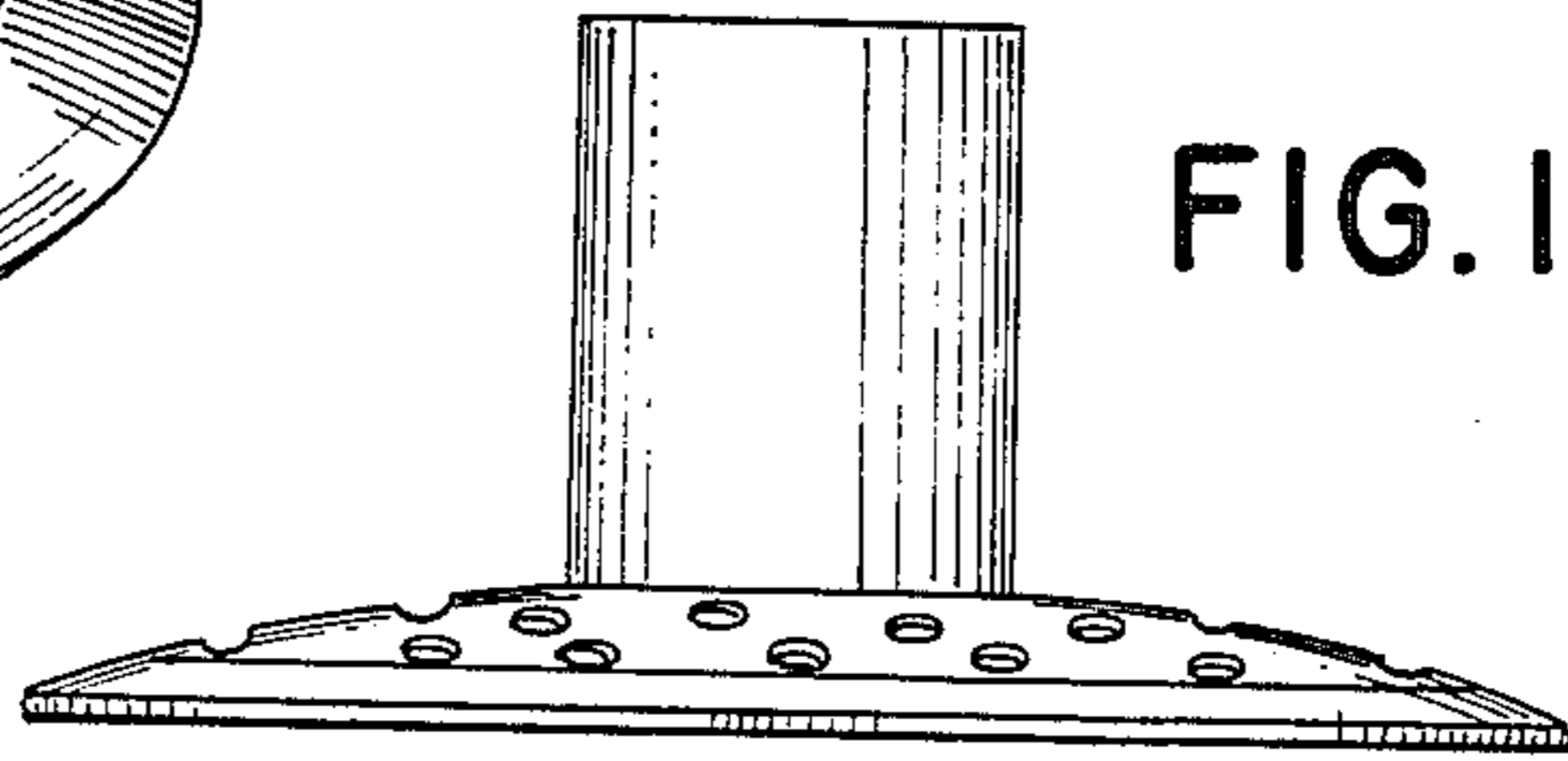


FIG. 11

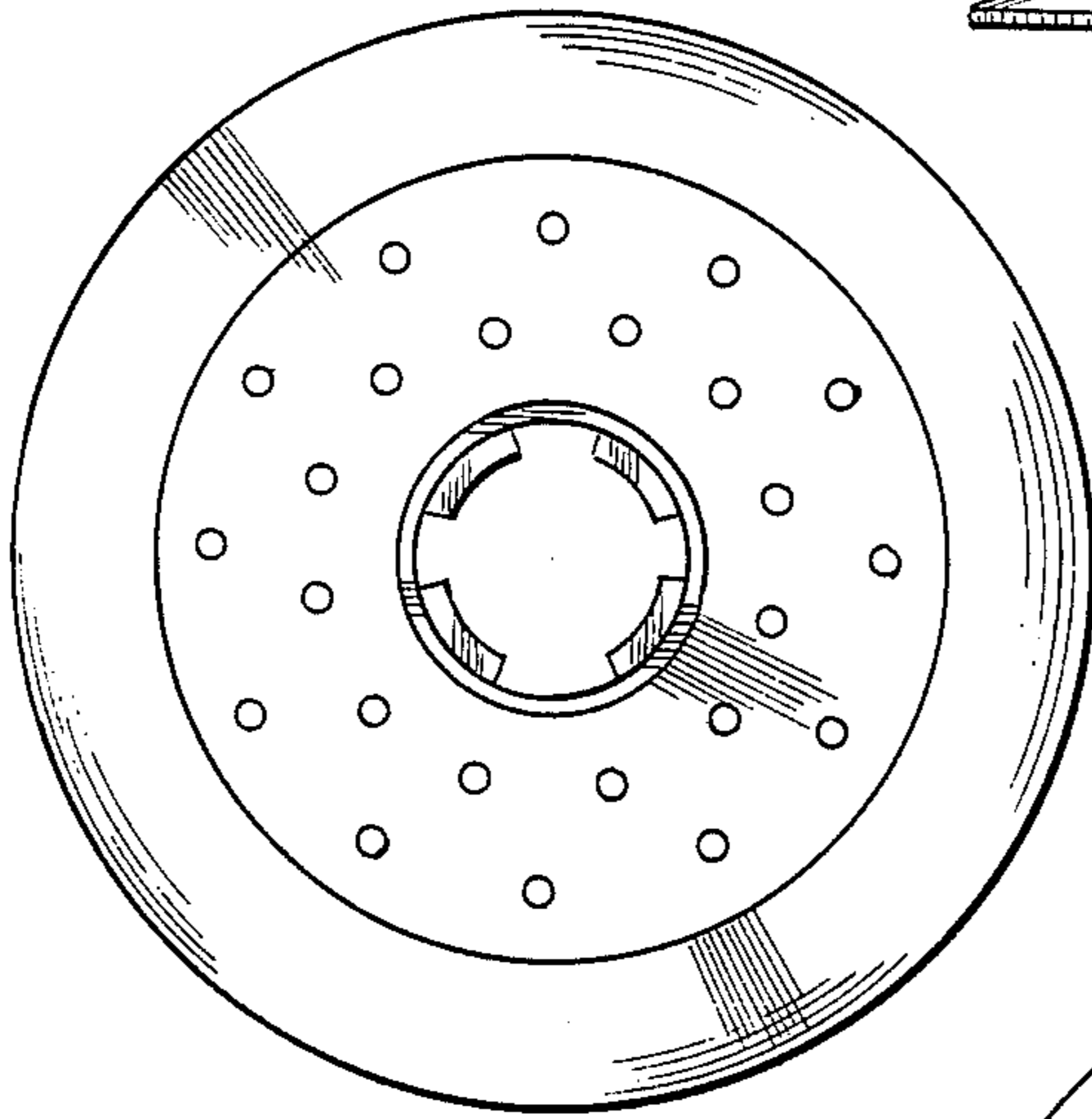


FIG. 12

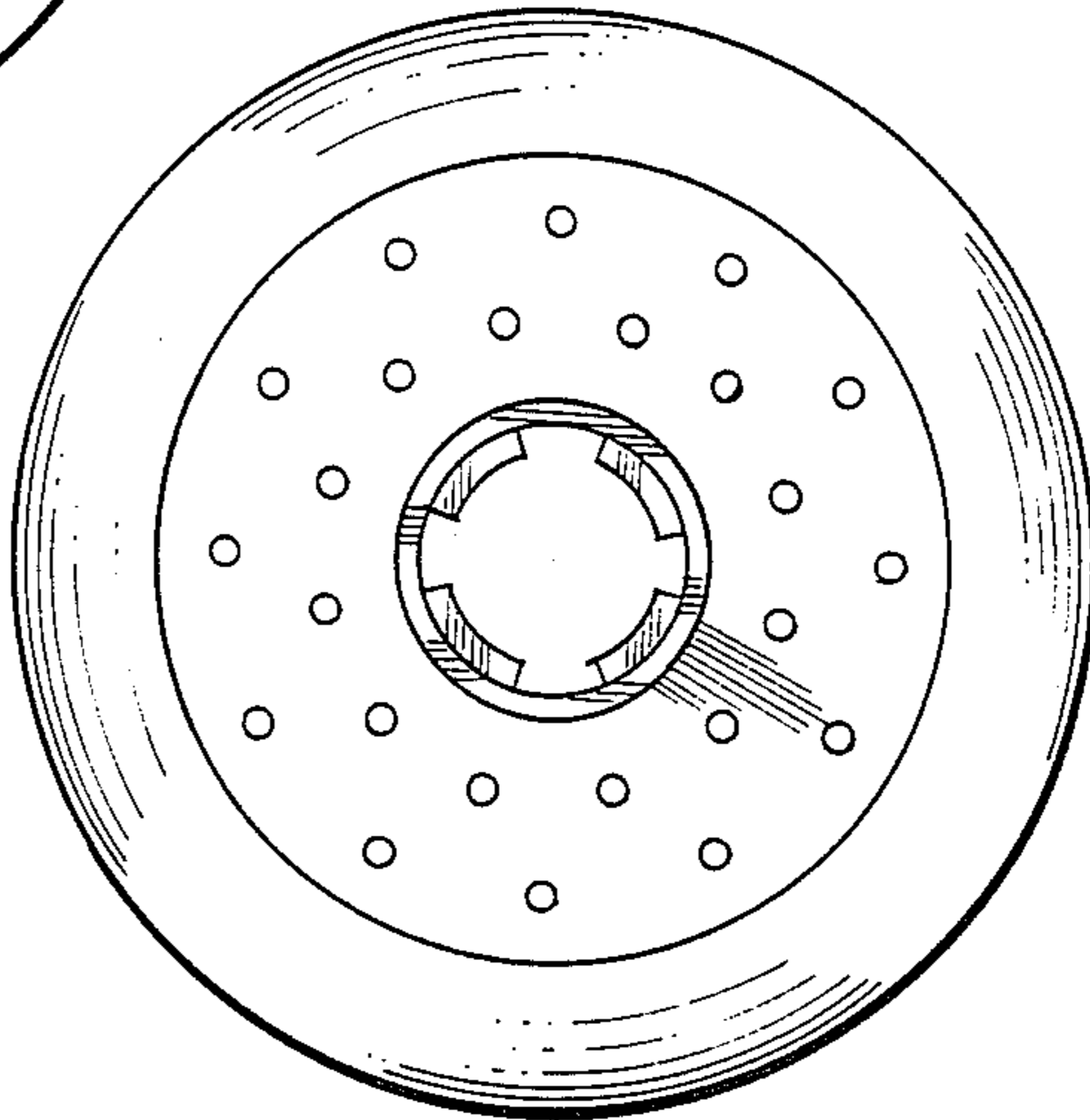


FIG. 13