

United States Patent [19]

Dignam, deceased

[11] Patent Number: **Des. 297,046**

[45] Date of Patent: **** Aug. 2, 1988**

[54] **INFUSION CANNULA FOR OPHTHALMIC SURGERY**

[76] Inventor: **Bernard J. Dignam**, of 250 Bay View Ave., Belvedere, Calif. 94920, by **Bonnie M. Dignam**, executrix

[**] Term: **14 Years**

[21] Appl. No.: **836,613**

[22] Filed: **Feb. 24, 1986**

[52] U.S. Cl. **D24/8; D24/53**

[58] Field of Search **D24/8, 29, 53; 604/51, 604/117, 272, 280, 264, 294, 180, 174, 175, 178, 93, 8; 128/348.1, 912**

[56] **References Cited**

U.S. PATENT DOCUMENTS

3,721,229 3/1973 Panzer 604/174 X
3,726,284 4/1973 Parker 604/8

4,368,738 1/1983 Tersteegen et al. 604/180
4,400,169 8/1983 Stephen 604/280 X
4,533,349 8/1985 Bark 604/180 X

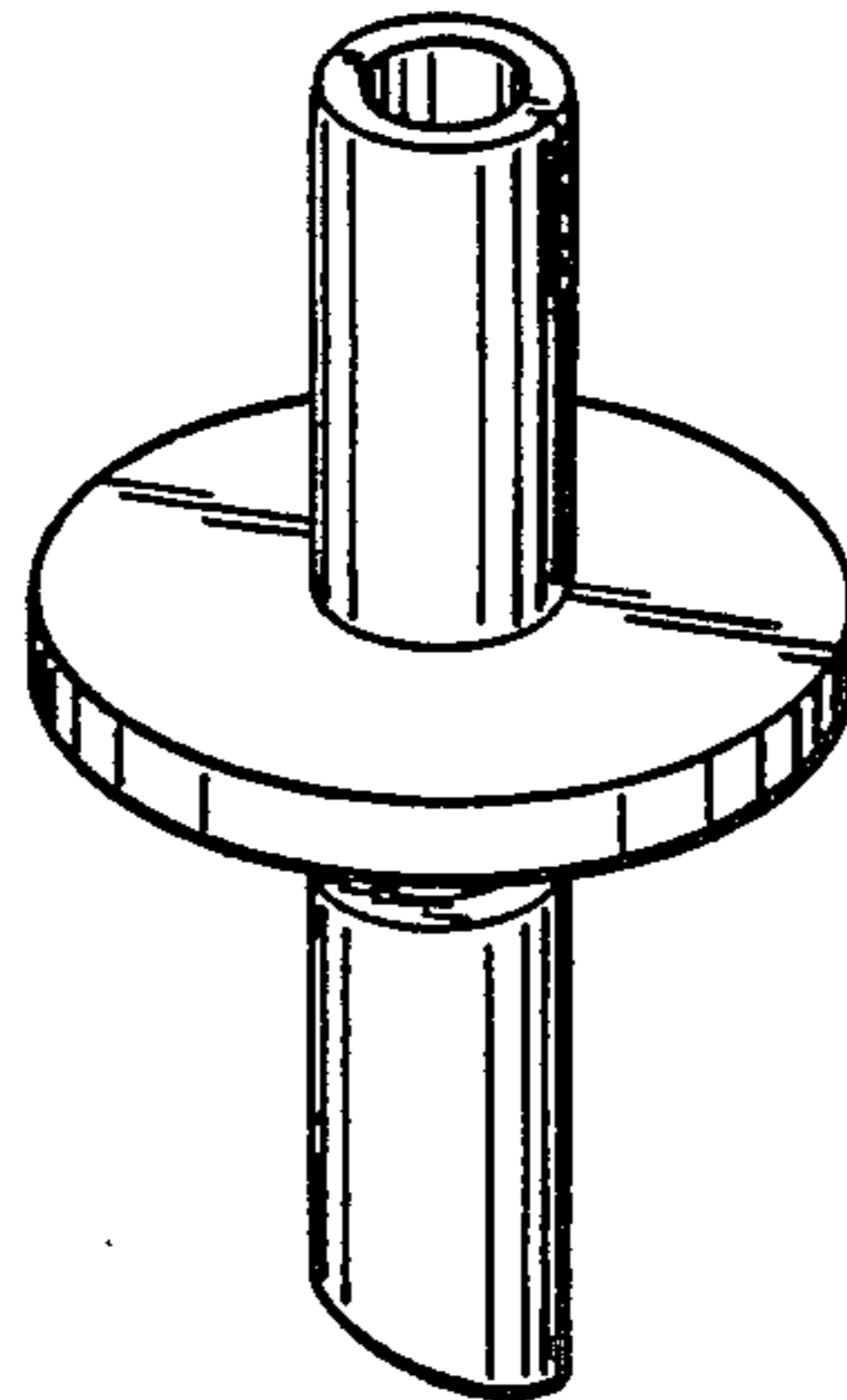
Primary Examiner—Wallace R. Burke
Assistant Examiner—Stella M. Reid
Attorney, Agent, or Firm—Townsend and Townsend

[57] **CLAIM**

The ornamental design for an infusion cannula for ophthalmic surgery, as shown and described.

DESCRIPTION

FIG. 1 is a perspective view of an infusion cannula for ophthalmic surgery showing my new design; FIG. 2 is a top plan view thereof; FIG. 3 is a front elevational view thereof; FIG. 4 is a right side elevational view thereof; FIG. 5 is a left side elevational view thereof; FIG. 6 is a rear elevational view thereof; and FIG. 7 is a bottom plan view thereof.



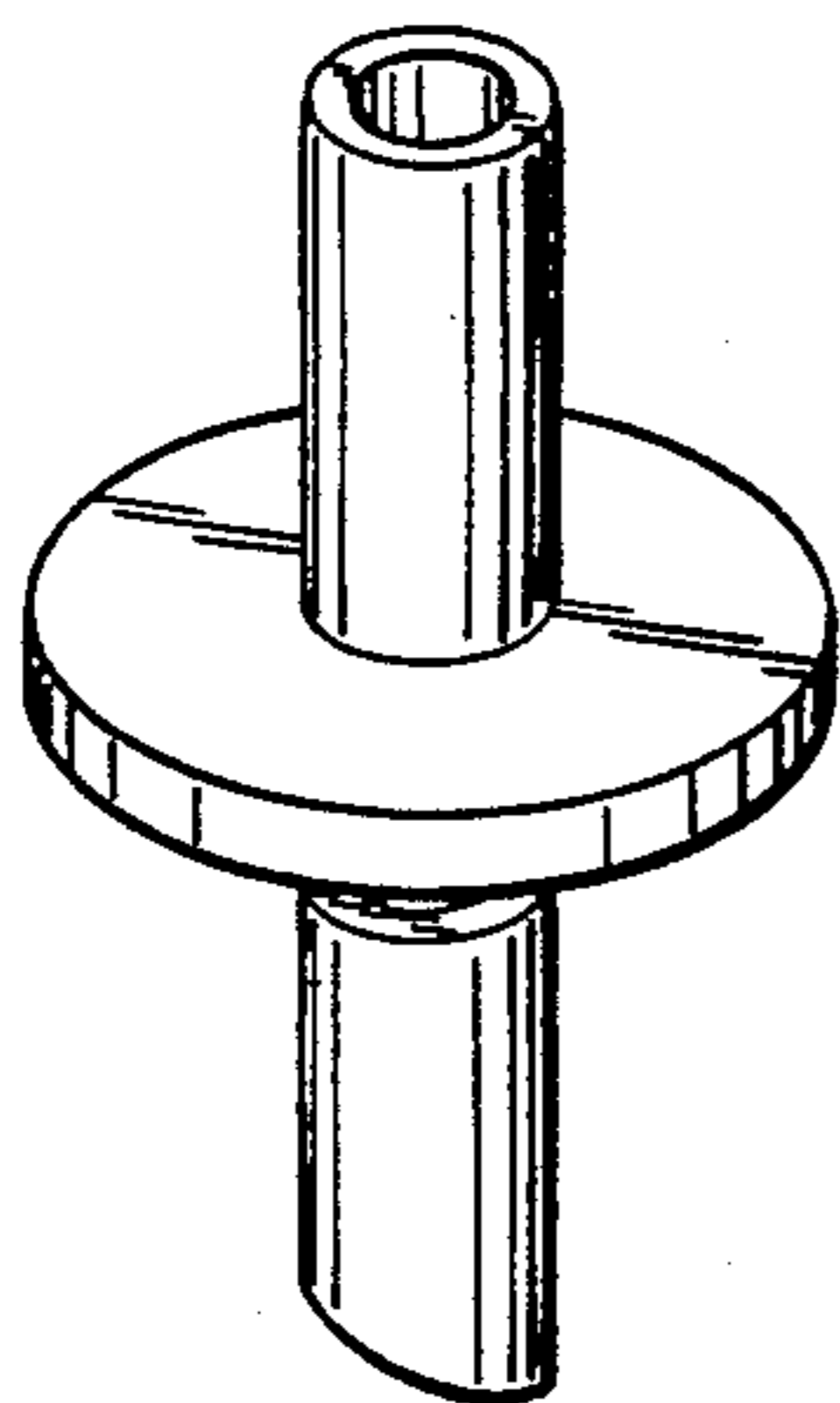


FIG. 1.

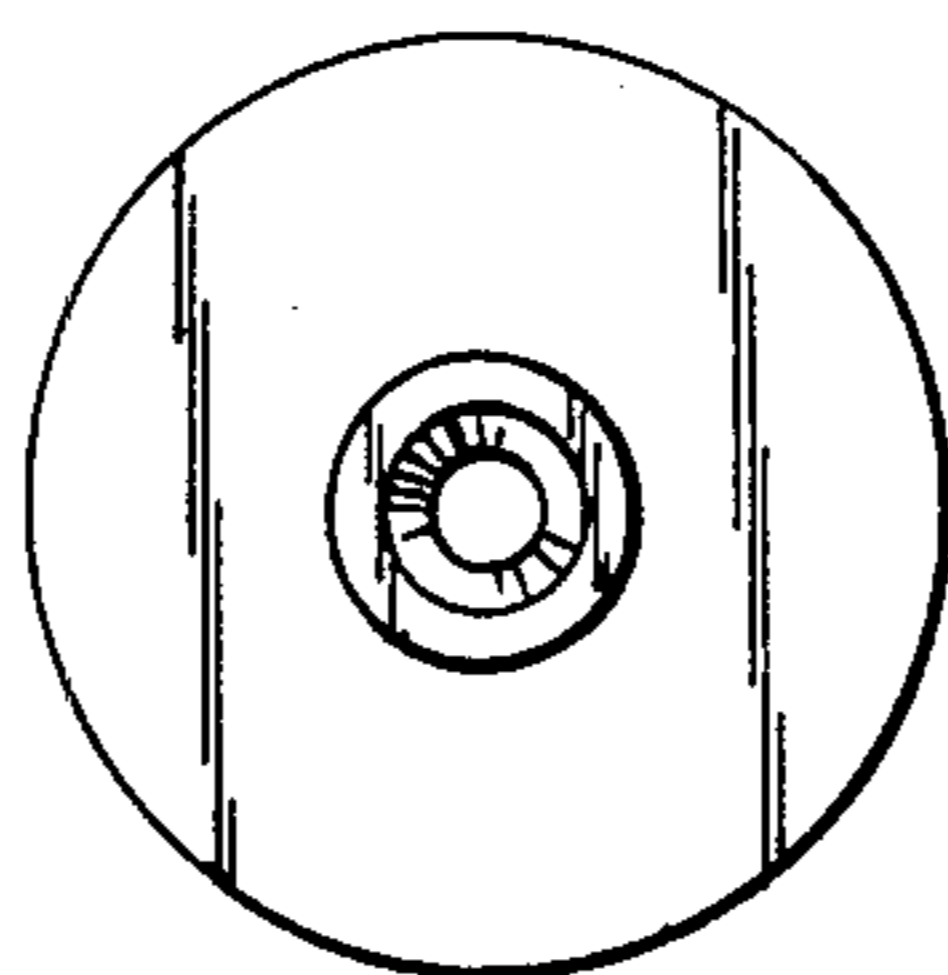


FIG. 2.

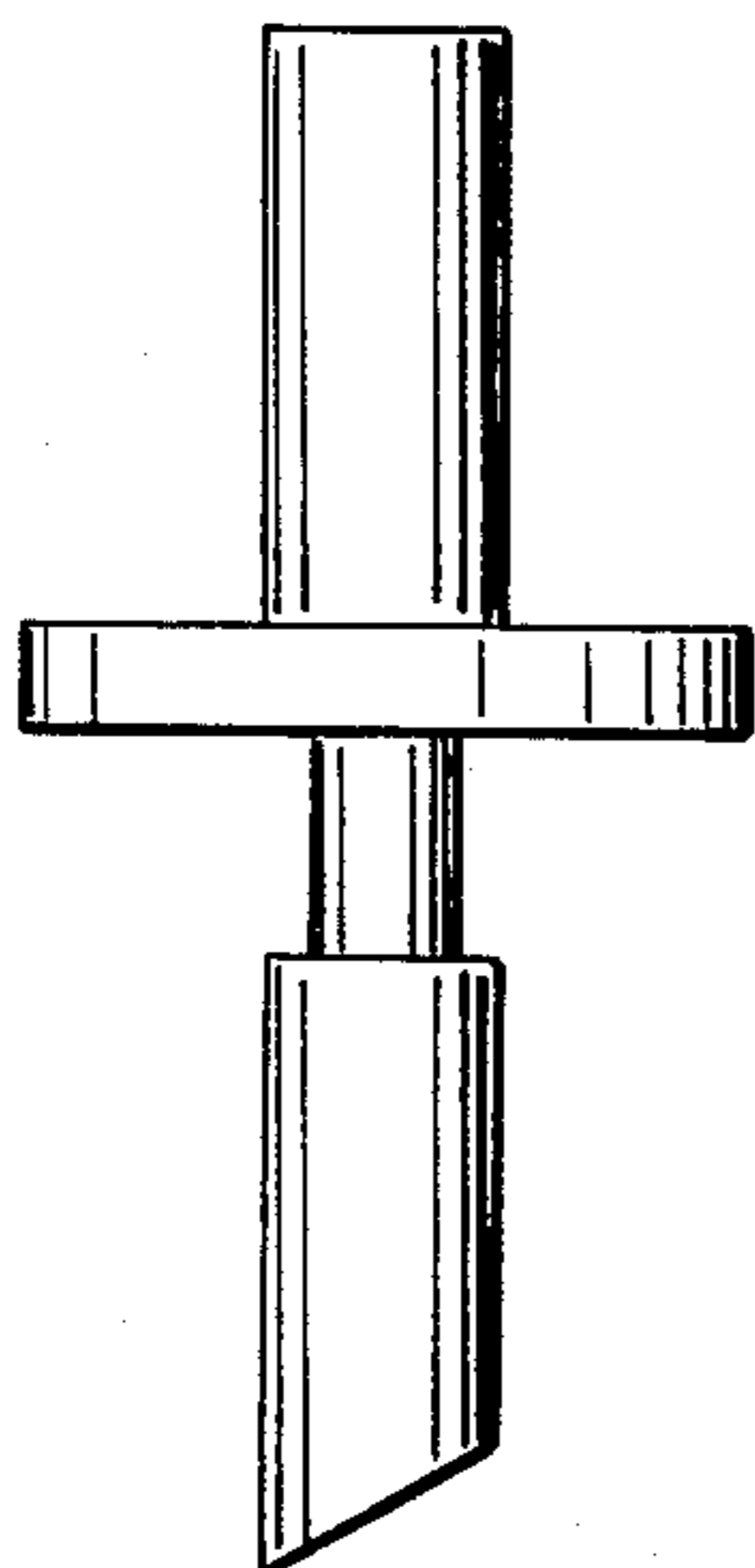


FIG. 5.

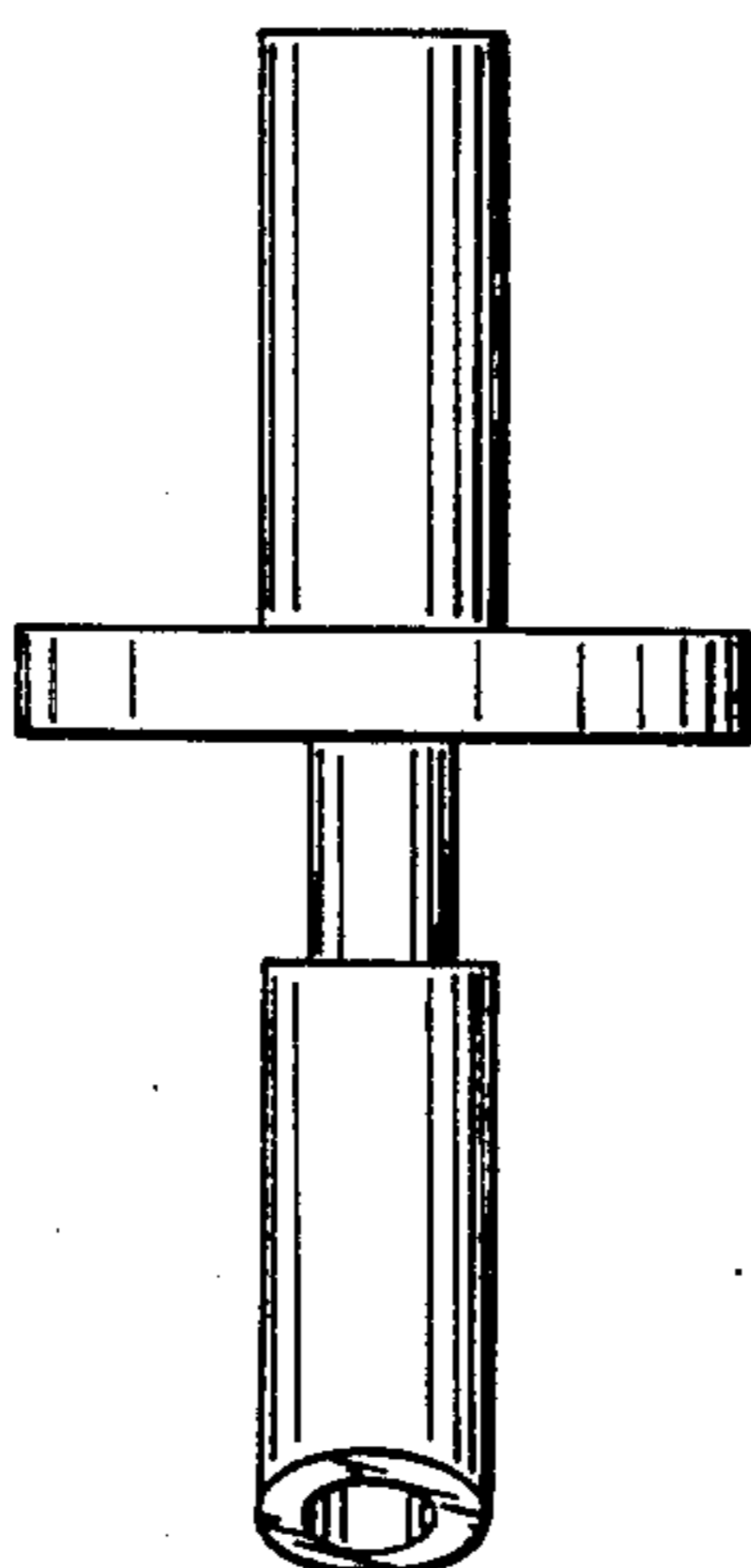


FIG. 3.

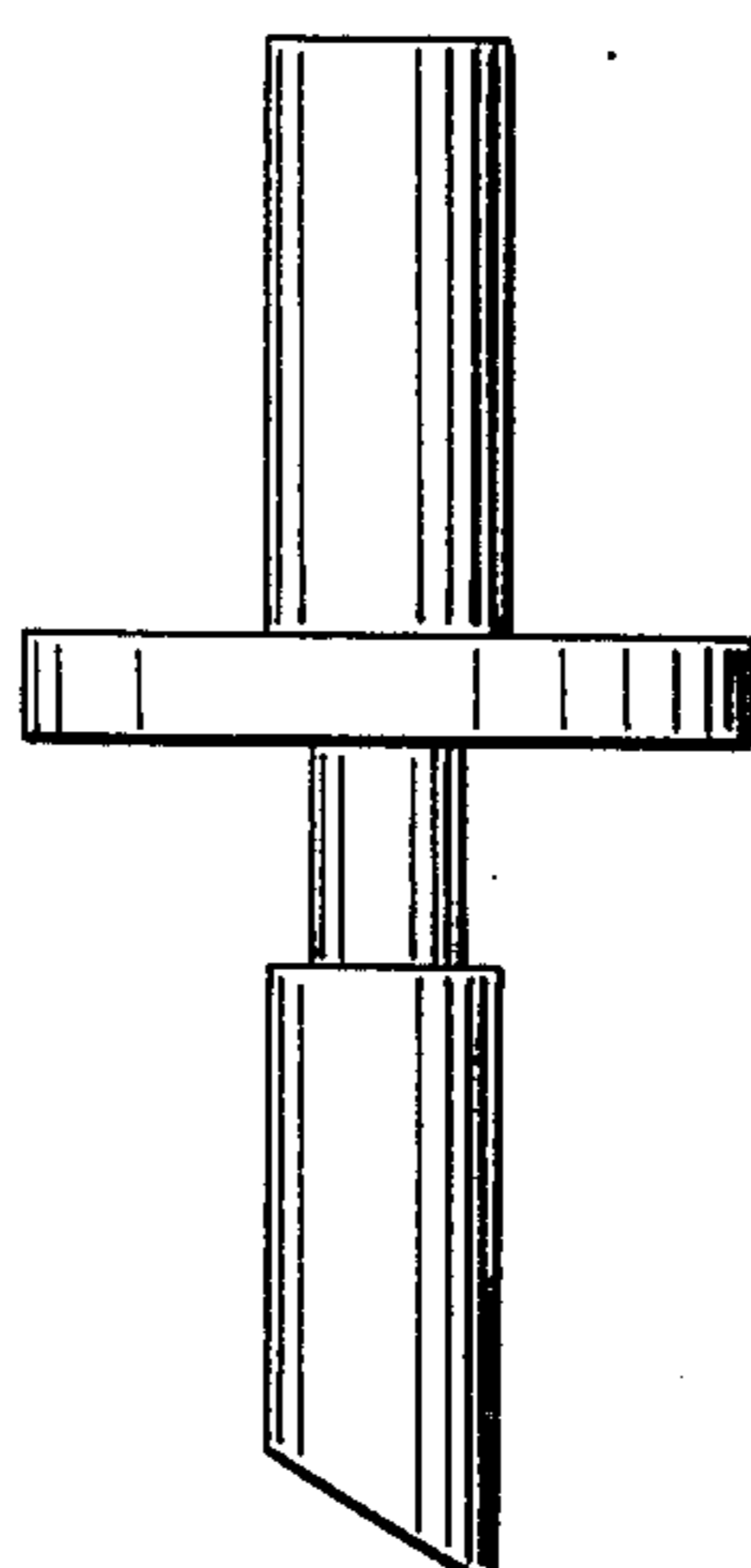


FIG. 4.

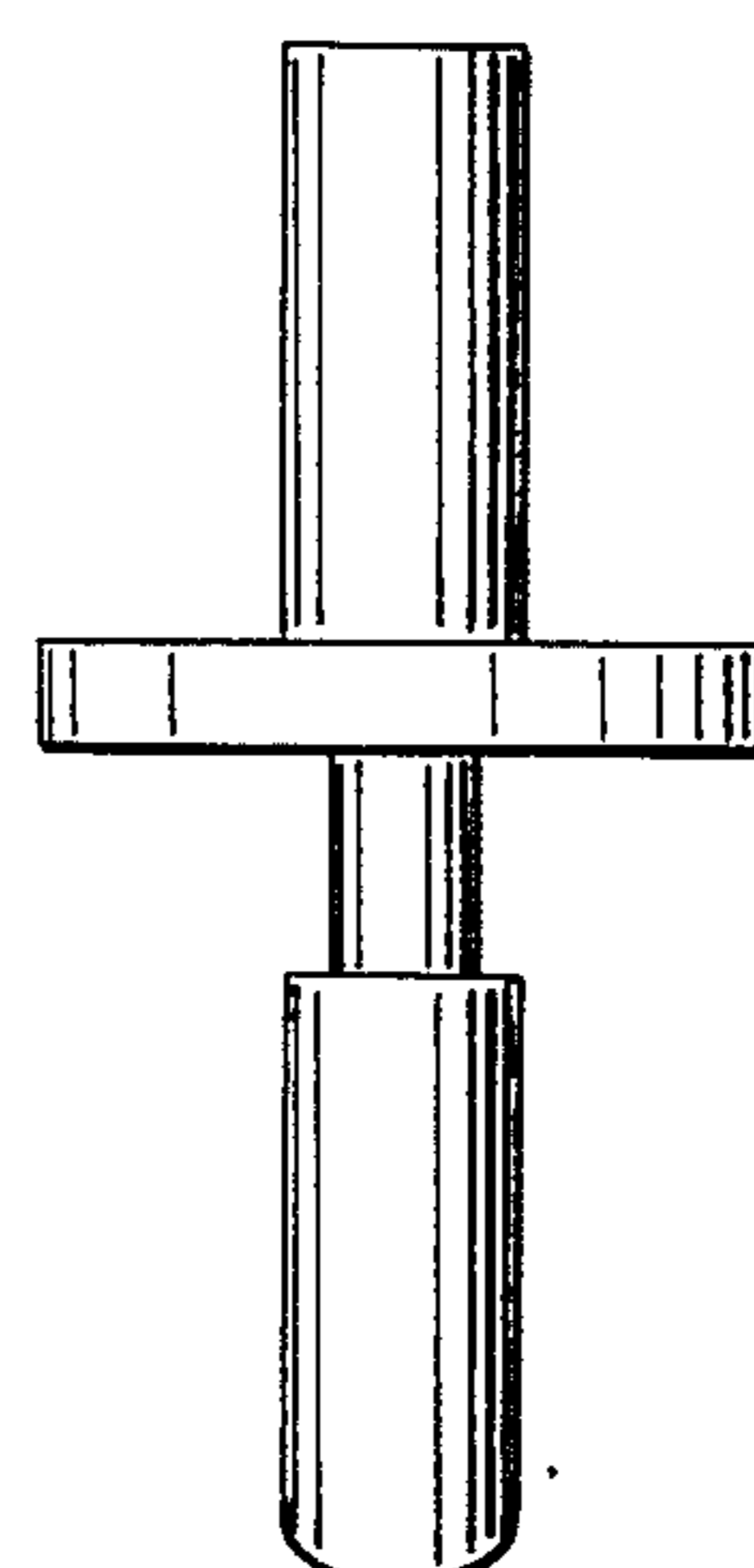


FIG. 6.

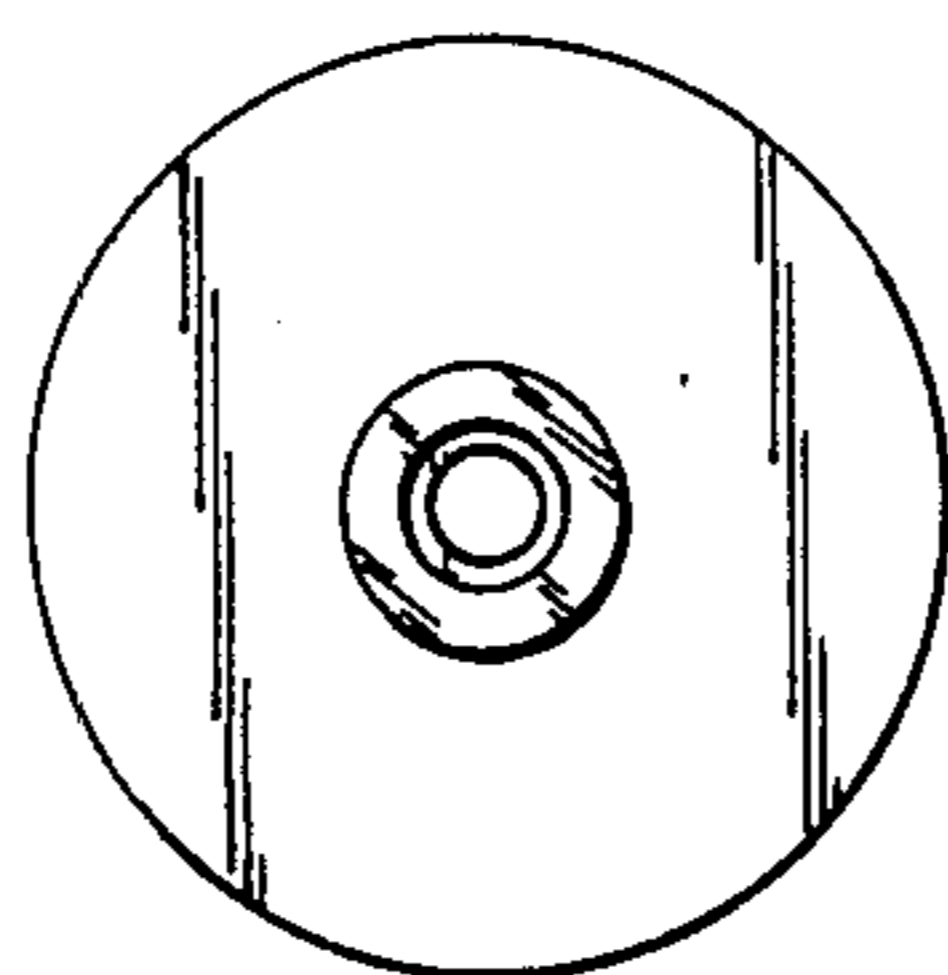


FIG. 7.