

[54] **FRICTION FURNACE**

[76] **Inventor: Louis D. Powell, 6383 Holcomb, Des Moines, Iowa 50322**

[\*\*] **Term: 14 Years**

[21] **Appl. No.: 776,608**

[22] **Filed: Sep. 16, 1985**

[52] **U.S. Cl. .... D23/329**

[58] **Field of Search ..... 126/247; 122/26; 237/12, 1 R, 50, 1 SL, 12.3 R, 12.3 A, 12.1; D23/329**

[56] **References Cited**

**U.S. PATENT DOCUMENTS**

|           |         |                   |           |
|-----------|---------|-------------------|-----------|
| 4,365,614 | 12/1982 | Grover .....      | 126/247   |
| 4,407,449 | 10/1983 | Moser et al. .... | 126/247 X |
| 4,412,651 | 11/1983 | Webster, Jr. .... | 126/247 X |

*Primary Examiner*—Catherine E. Kemper  
*Attorney, Agent, or Firm*—Henderson & Sturm

[57] **CLAIM**

The ornamental design for a friction furnace, as shown and described.

**DESCRIPTION**

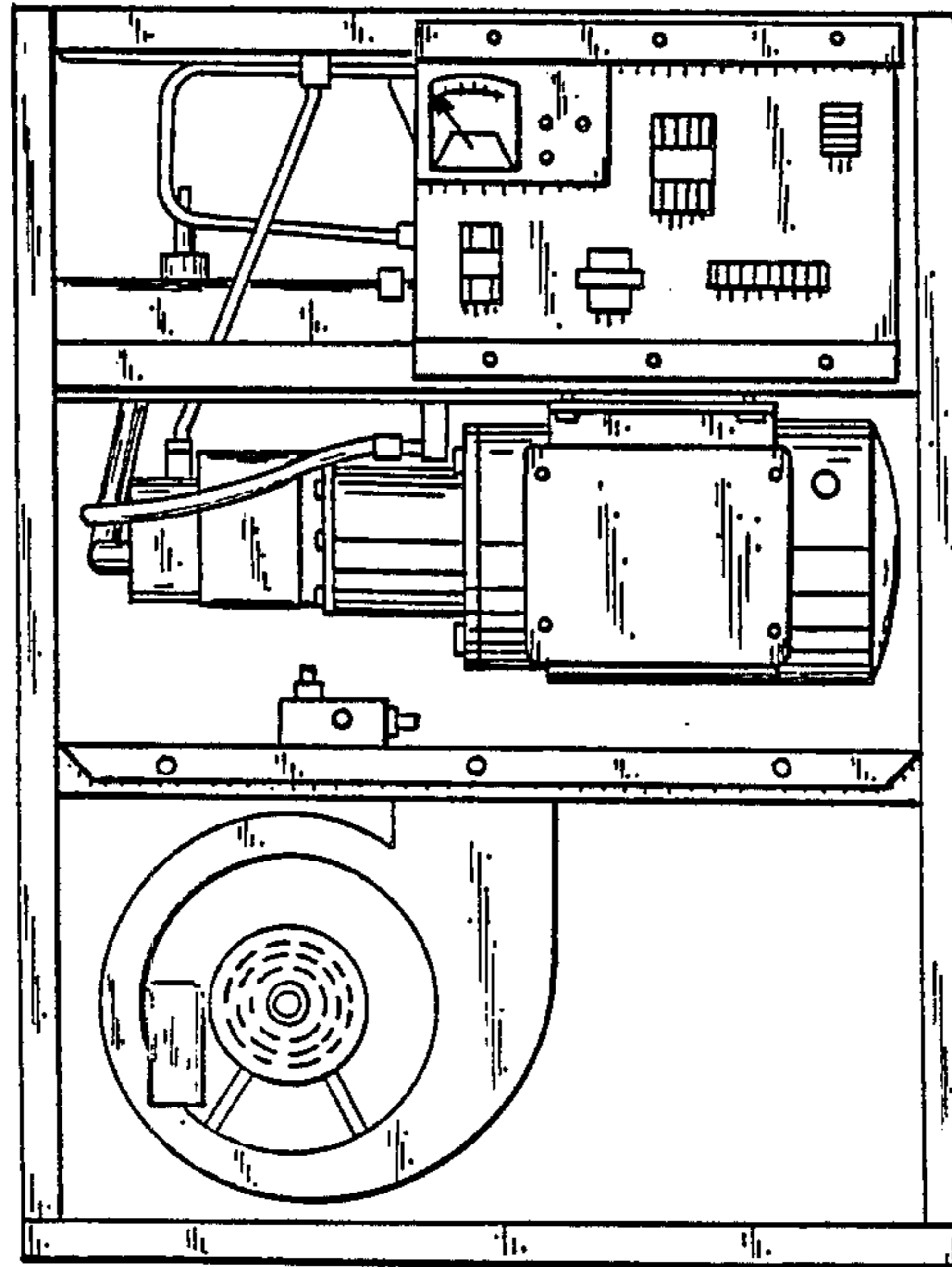
FIG. 1 is a top plan view of a friction furnace, showing my new design;

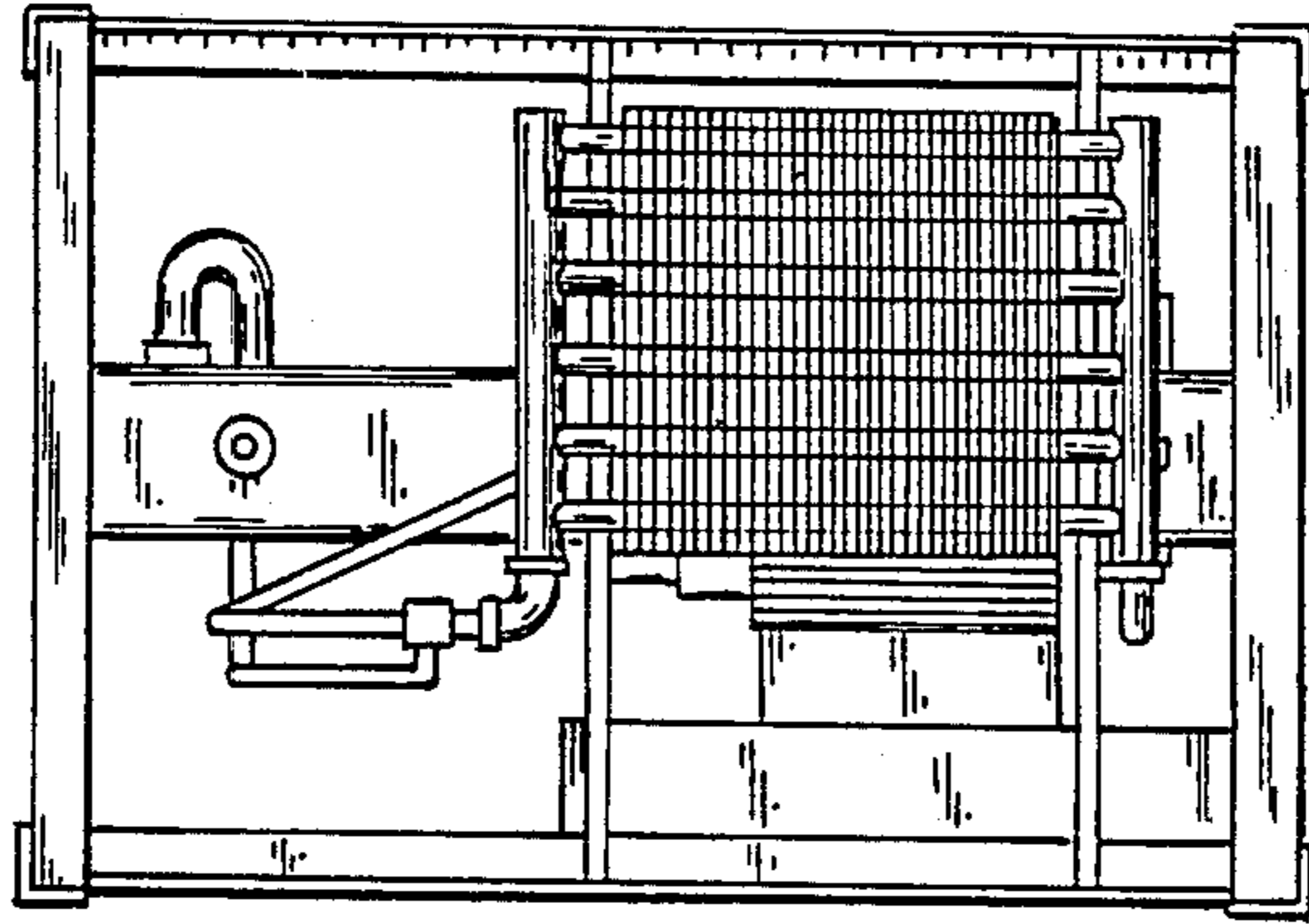
FIG. 2 is a front elevational view thereof;

FIG. 3 is a right side elevational view thereof;

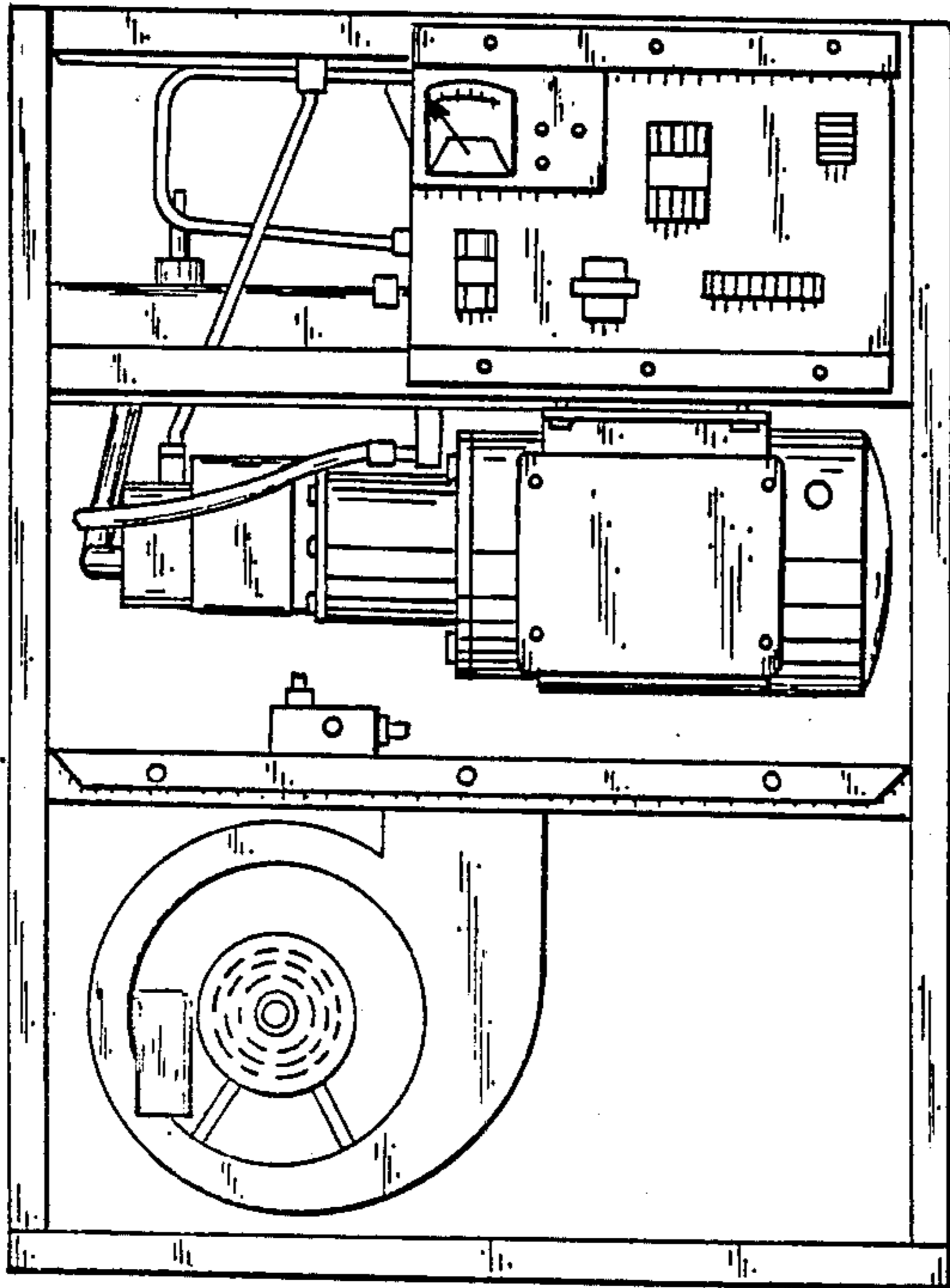
FIG. 4 is a rear elevational view thereof; and

FIG. 5 is a left side elevational view thereof.

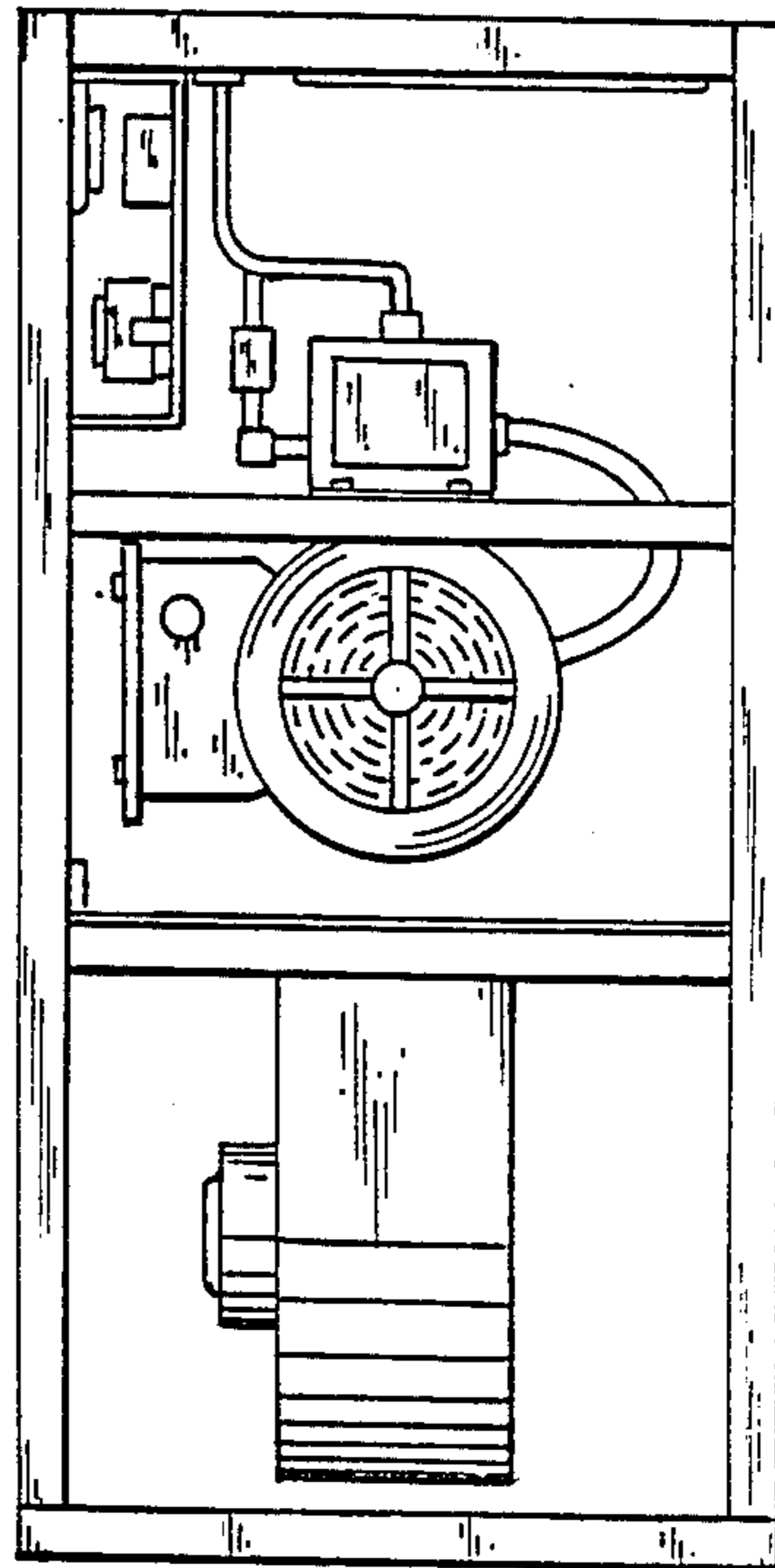




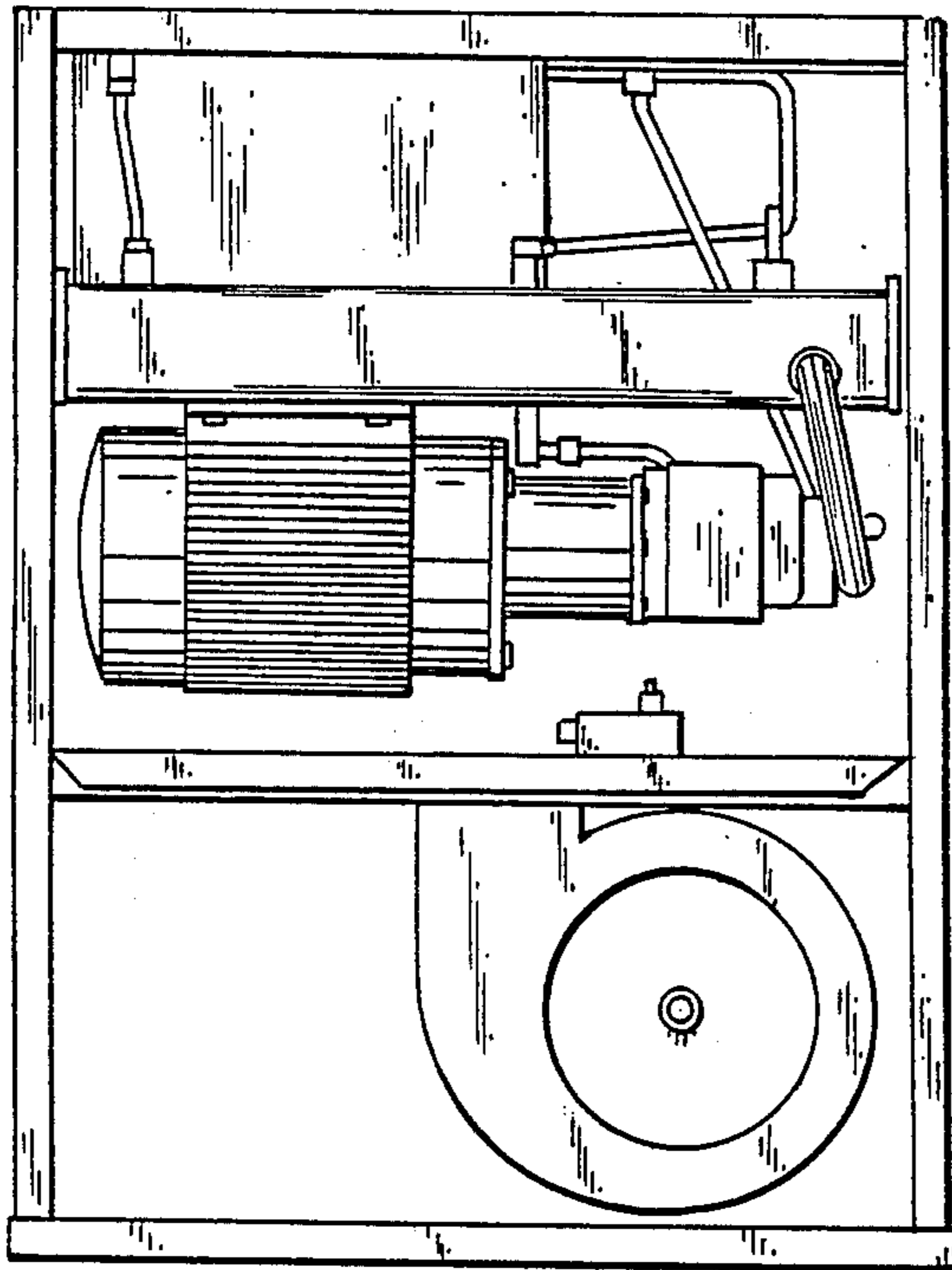
*Fig. 1*



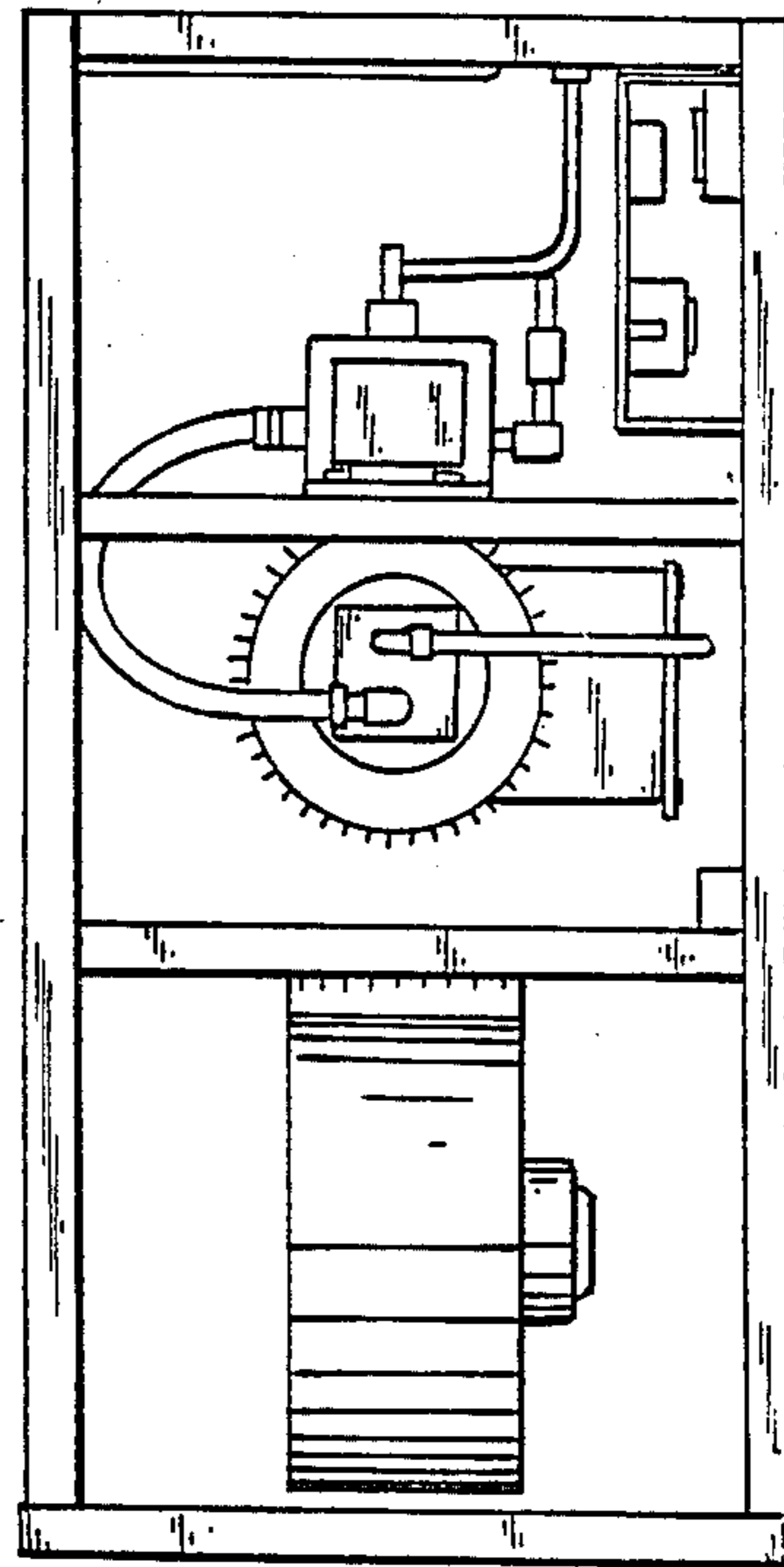
*Fig. 2*



*Fig. 3*



*Fig. 4*



*Fig. 5*