

[54] INTAKE REDUCING TEE

[76] Inventor: Donald W. Vander Wilt, 1009 W. 4th St., Pella, Iowa 50219

[**] Term: 14 Years

[21] Appl. No.: 810,211

[22] Filed: Dec. 18, 1985

[52] U.S. Cl. D23/263

[58] Field of Search D23/259-269; 285/156, 177

[56] References Cited

U.S. PATENT DOCUMENTS

D. 163,487	5/1951	Schustack	D23/263
1,850,049	3/1932	Cornell, Jr.	285/156
1,980,818	11/1934	Morrow	285/156 X
1,992,312	2/1935	Kuphn	285/156
2,039,542	5/1936	Lindquist	285/156
2,117,955	5/1938	Haas	285/177
2,216,864	10/1940	Wasmund	285/156
3,023,032	2/1962	Johnston et al.	285/156
3,727,953	4/1973	Martin et al.	285/177
3,825,288	7/1974	Maroschak	285/156
3,866,950	2/1975	Skoch et al.	285/177 X

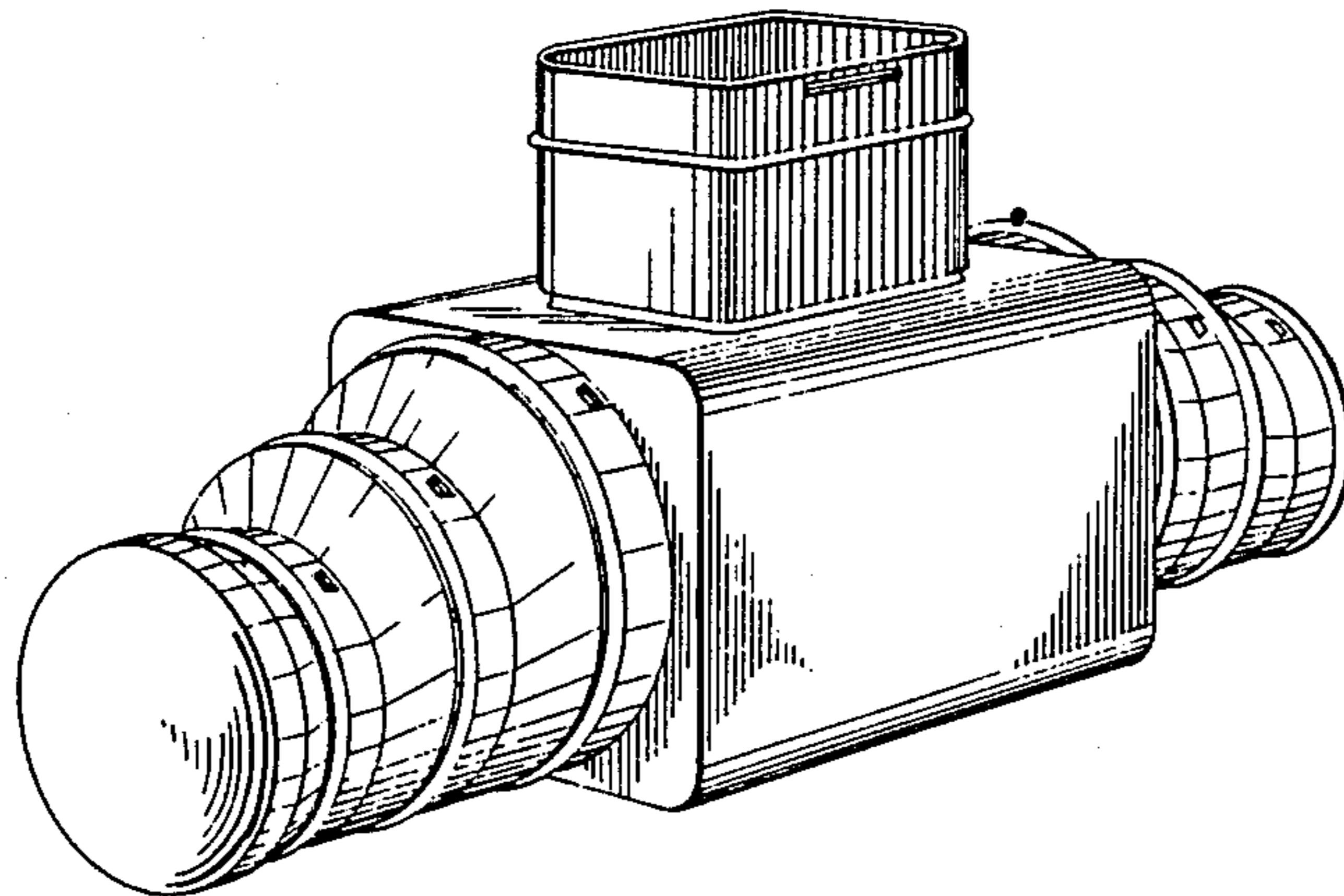
Primary Examiner—James R. Largen
Attorney, Agent, or Firm—Zarley, McKee, Thomte, Voorhees & Sease

[57] CLAIM

The ornamental design for an intake reducing tee, substantially as shown and described.

DESCRIPTION

FIG. 1 is a perspective view of an intake reducing tee showing my new design;
 FIG. 2 is a front elevational view thereof, the rear a mirror image of the front shown;
 FIG. 3 is a top plan view thereof;
 FIG. 4 is a bottom plan view thereof;
 FIG. 5 is a right side elevational view thereof;
 FIG. 6 is a left side elevational view thereof;
 FIG. 7 is a perspective view of a modified form of the intake reducing tee shown in FIG. 1;
 FIG. 8 is a front elevational view of FIG. 7, the rear being a mirror image of the front shown;
 FIG. 9 is a top plan view of FIG. 7;
 FIG. 10 is a right side elevational view of FIG. 7; and
 FIG. 11 is a left side elevational view of FIG. 7.



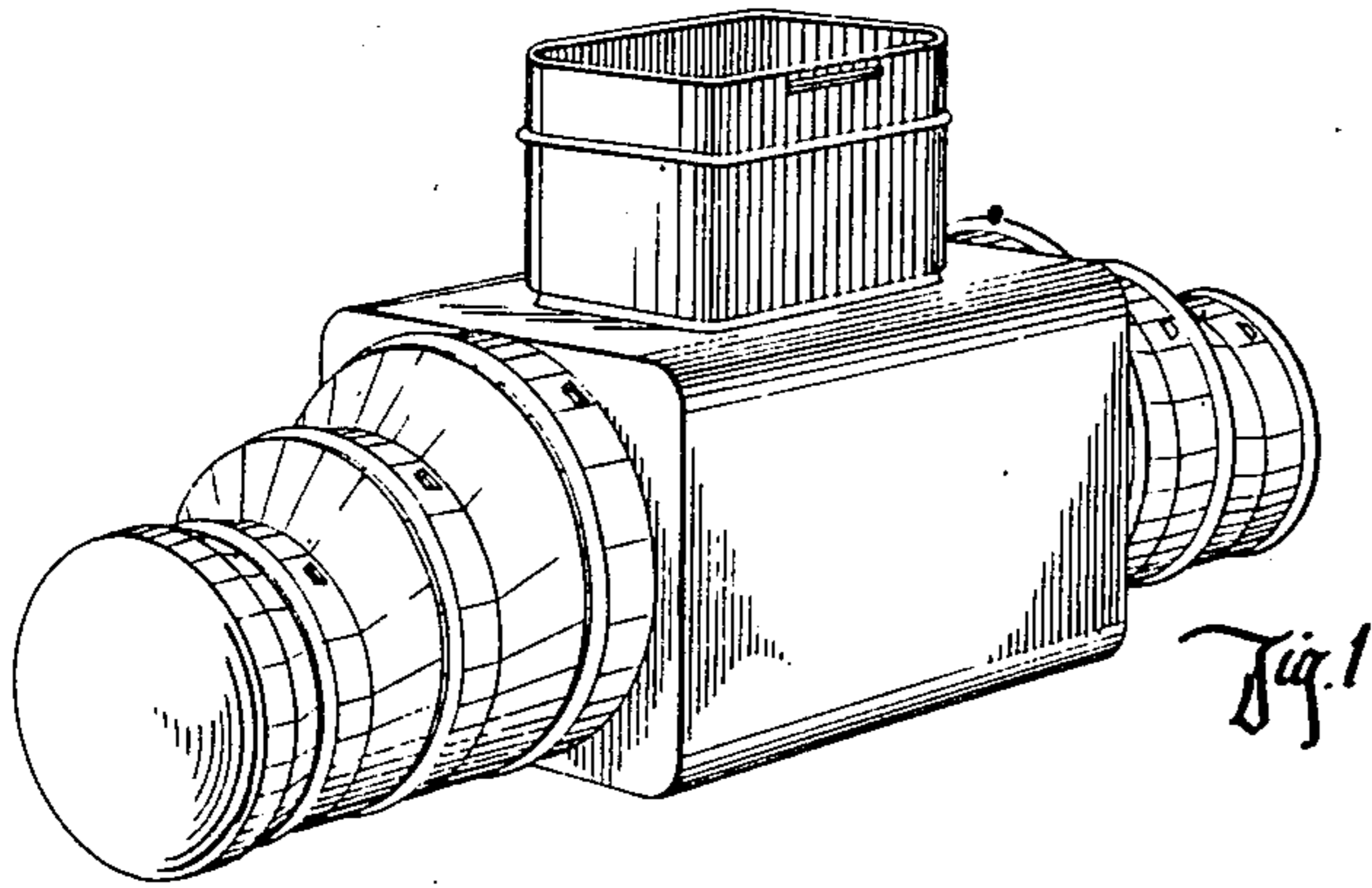


Fig. 1

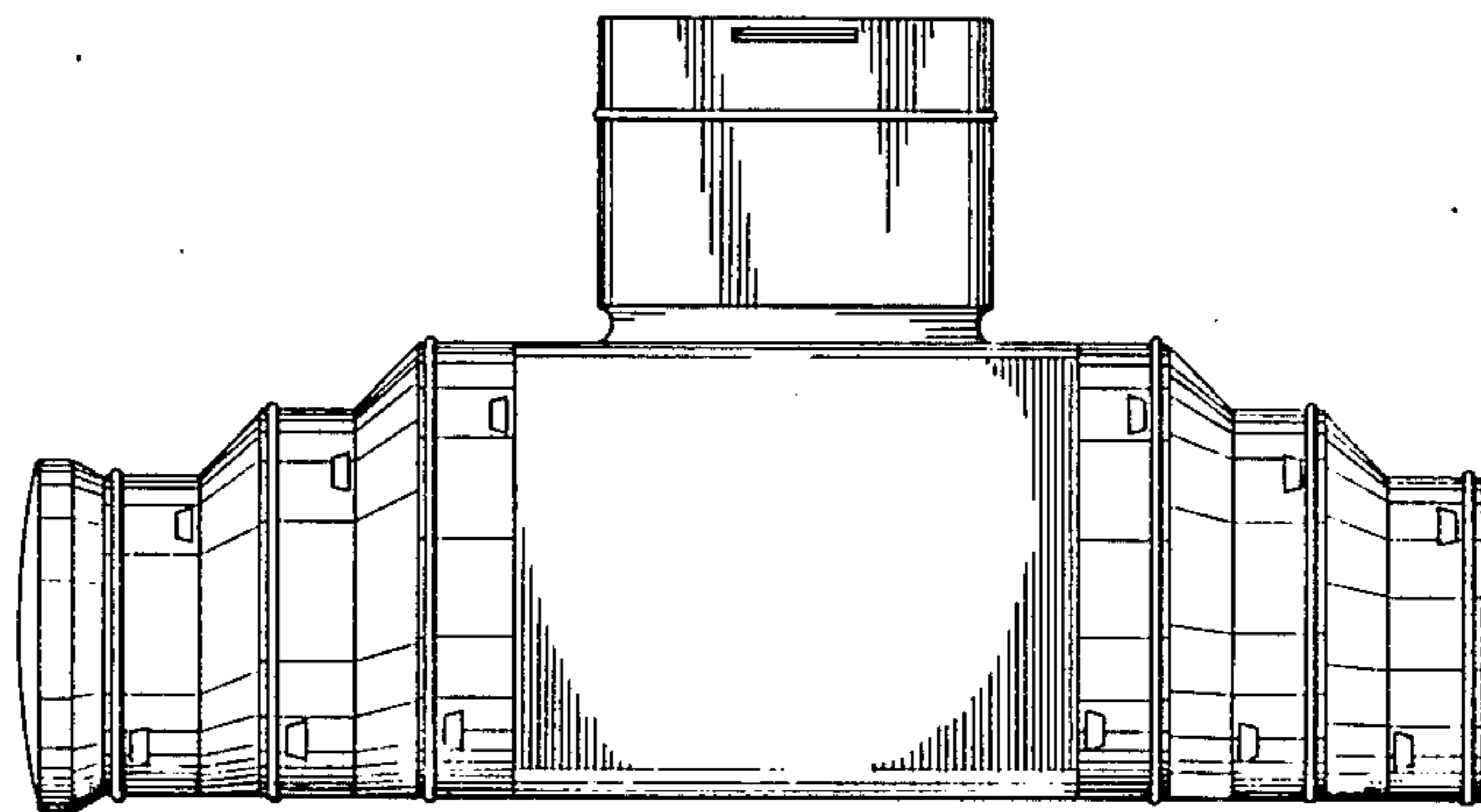


Fig. 2

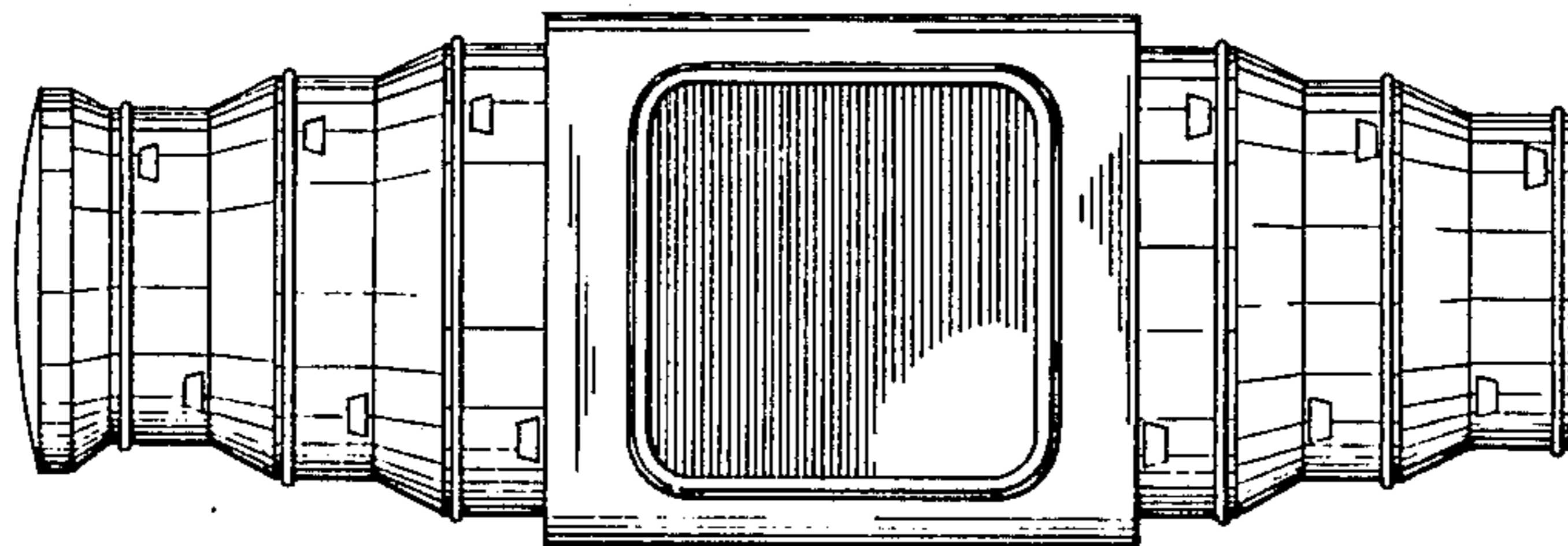


Fig. 3

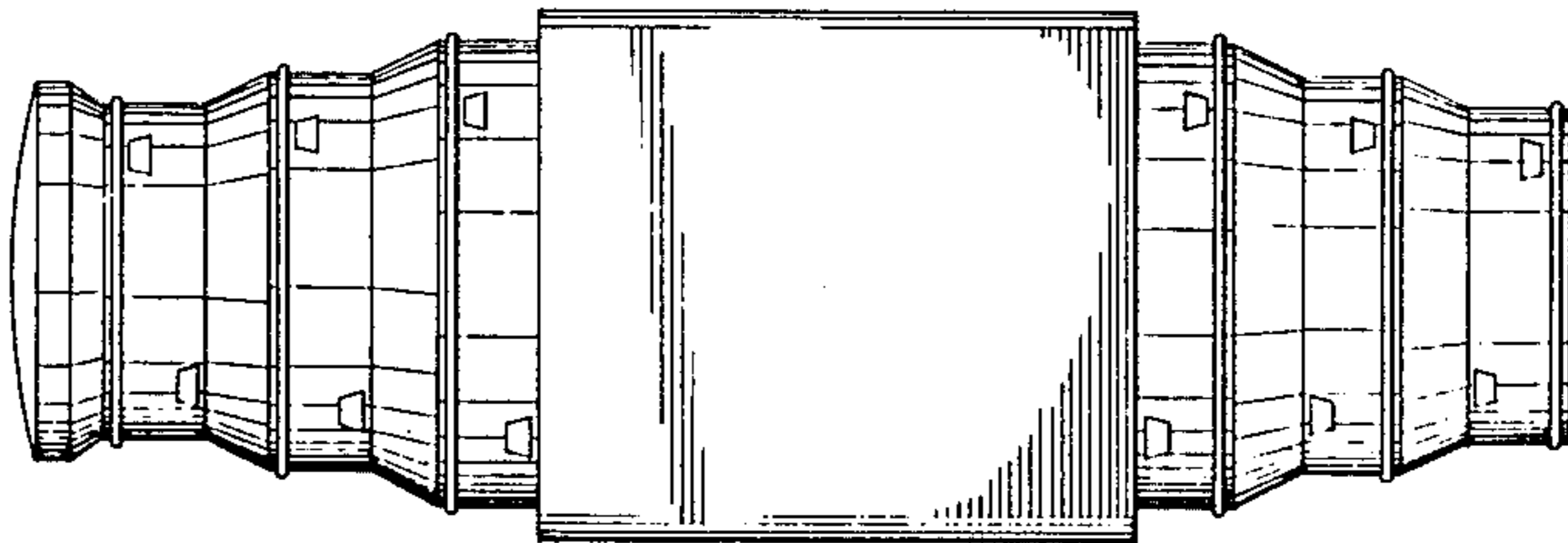


Fig. 4

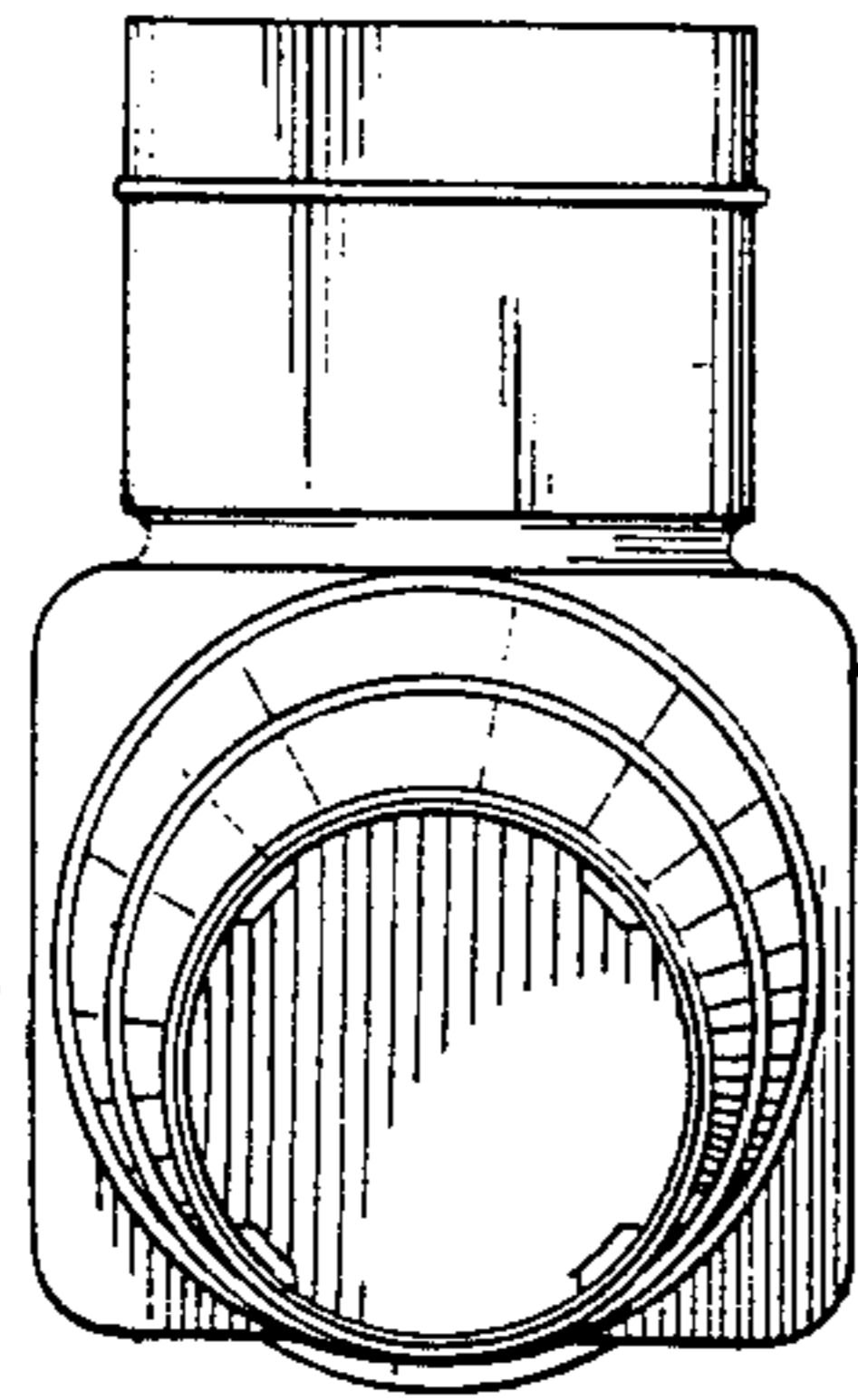


Fig. 5

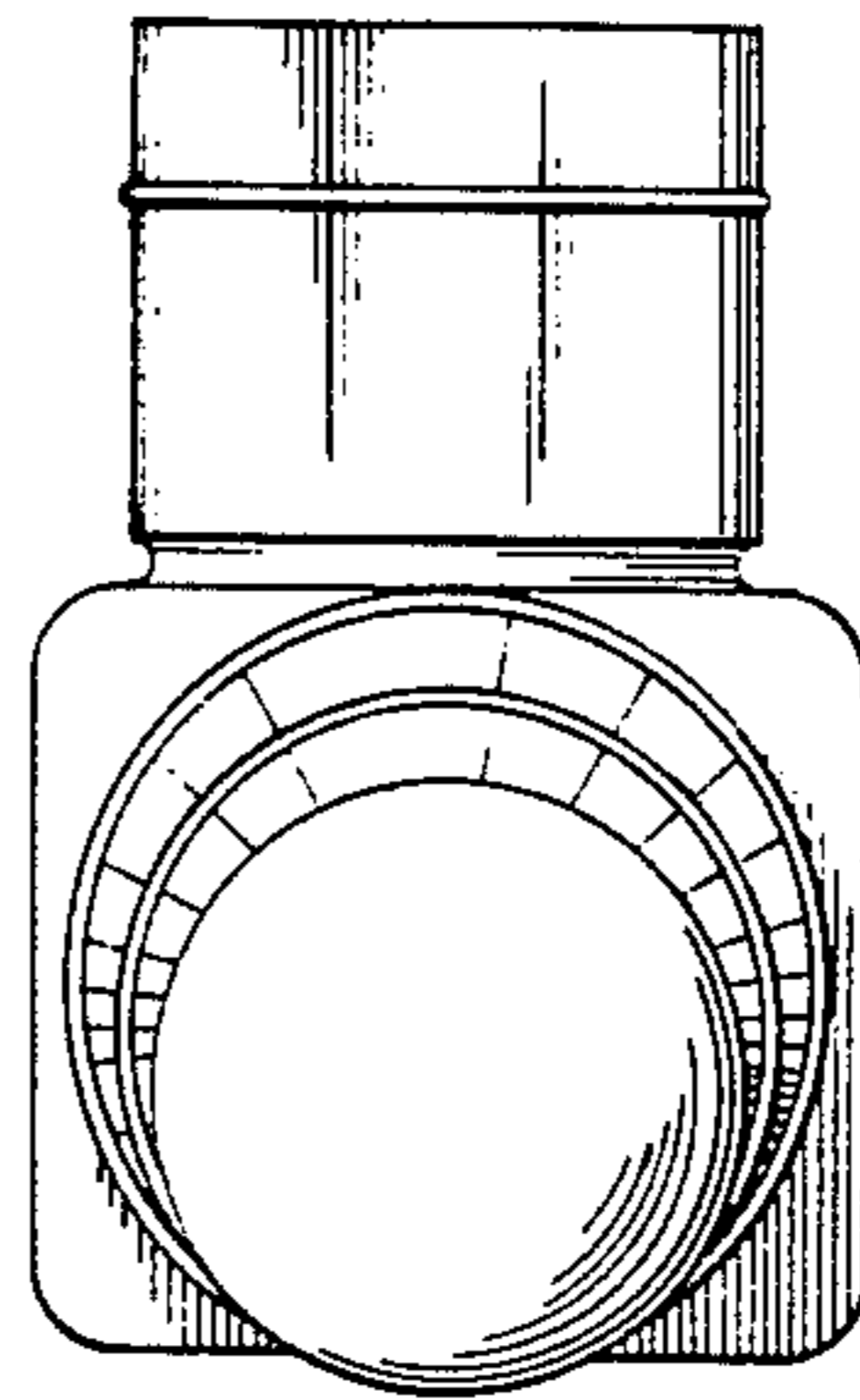


Fig. 6

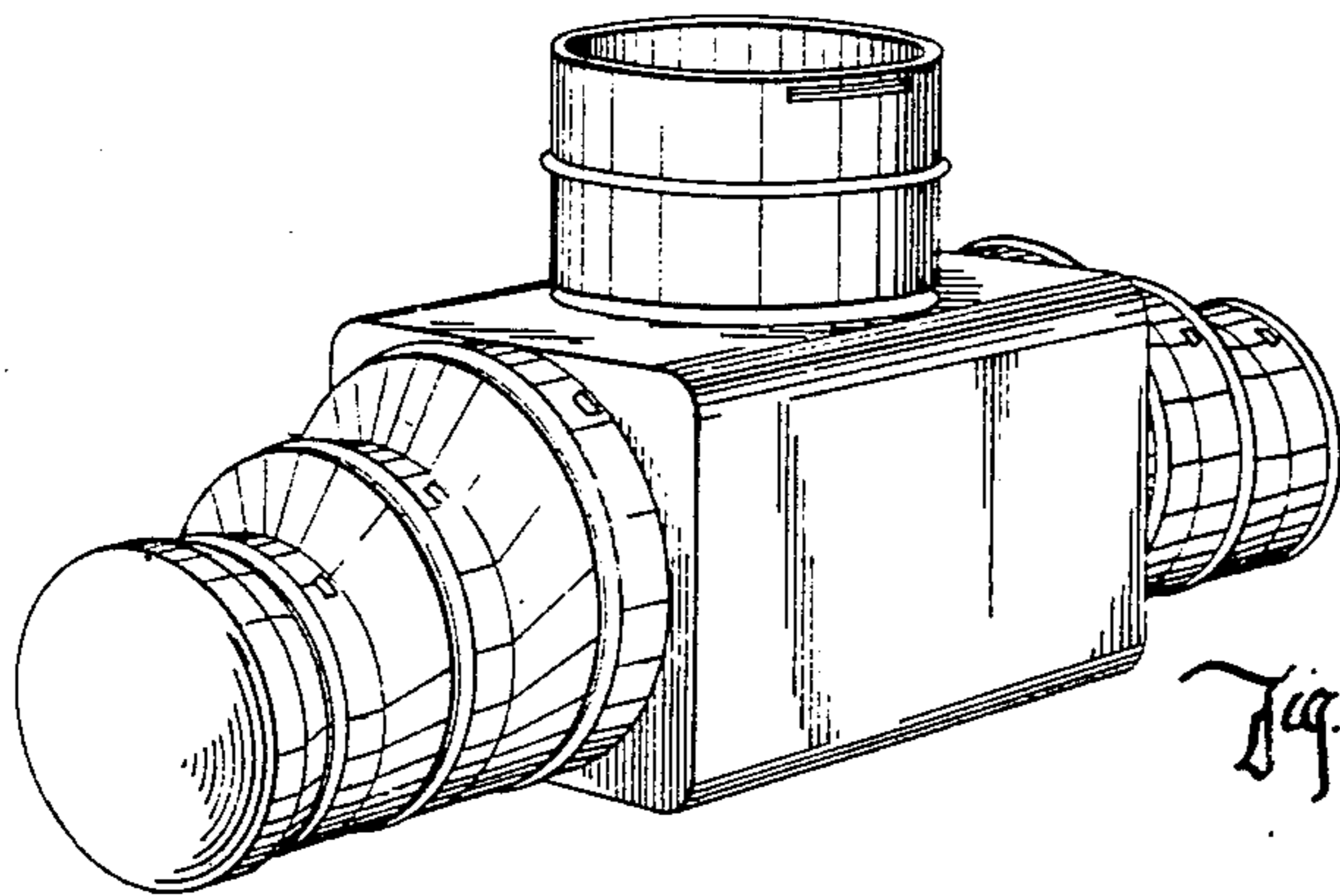


Fig. 7

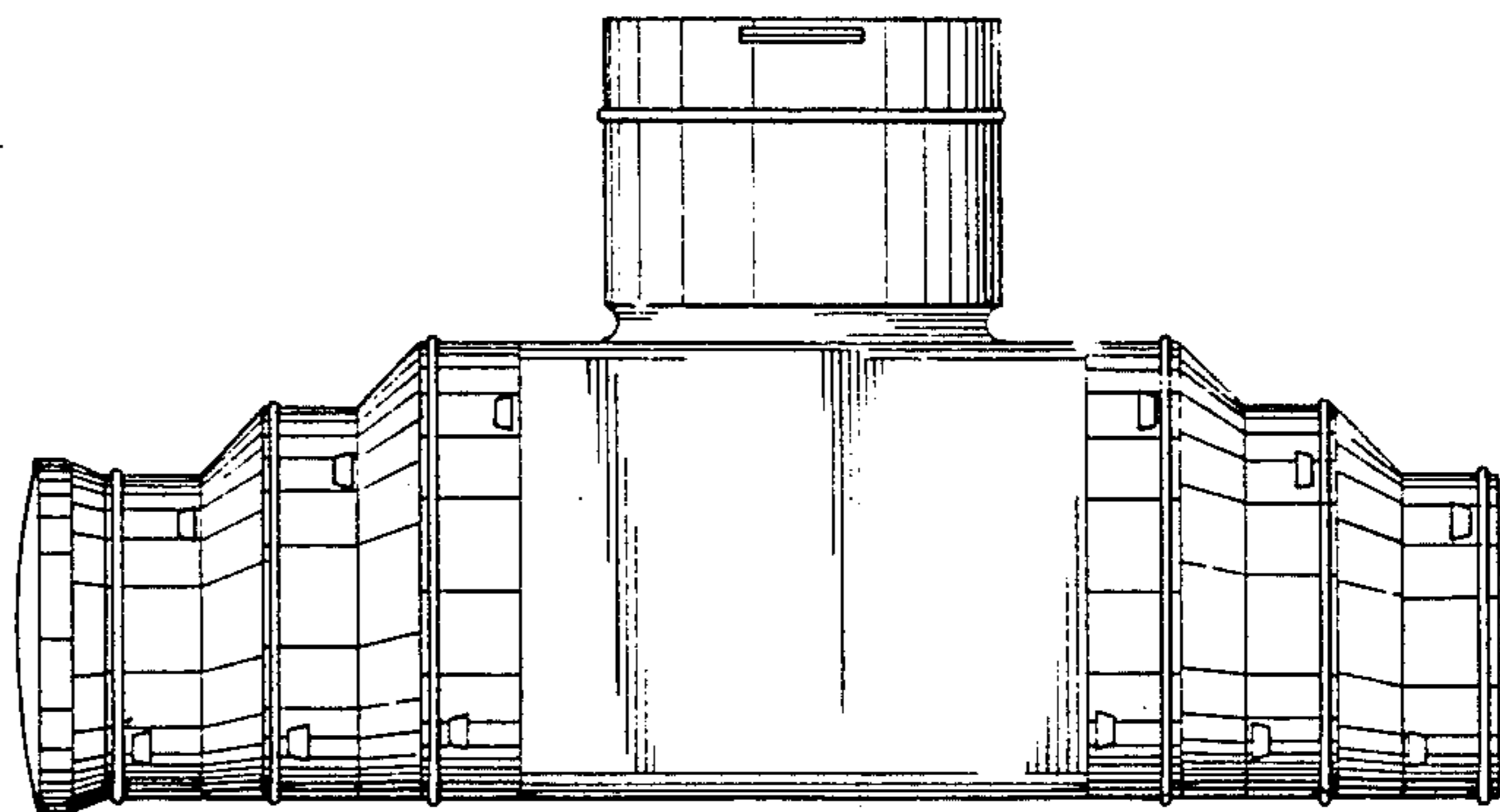


Fig. 8

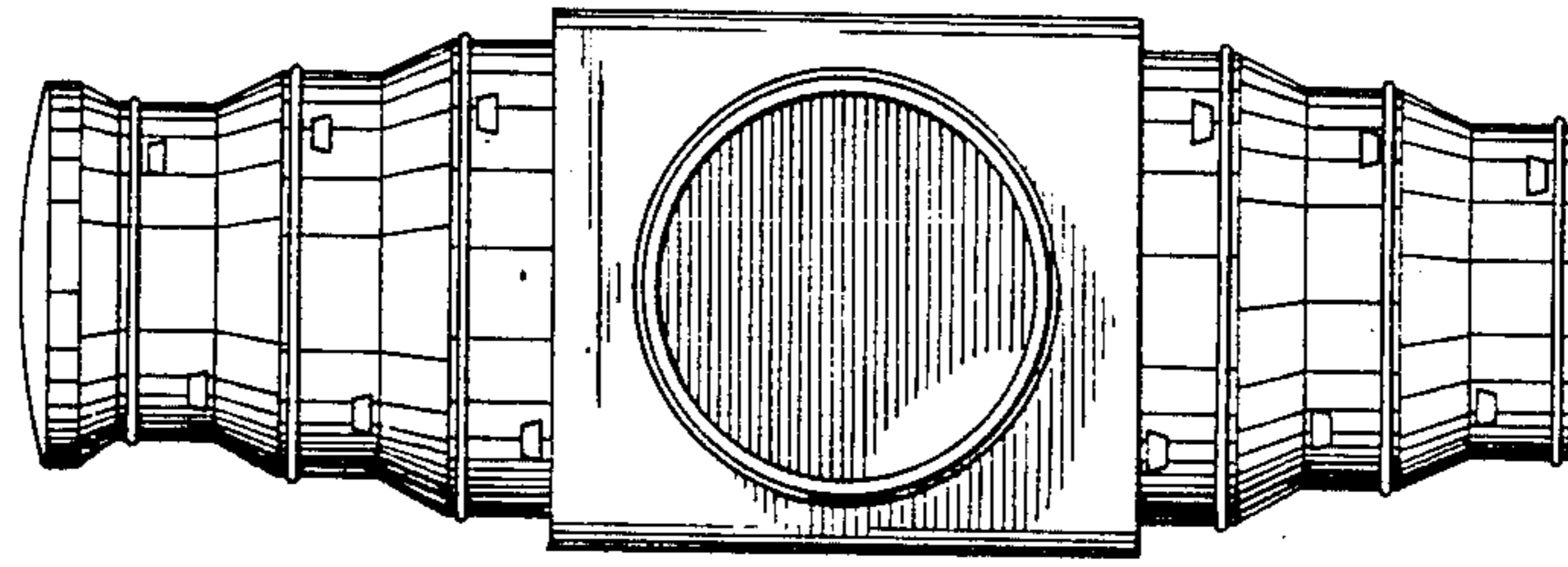


Fig. 9

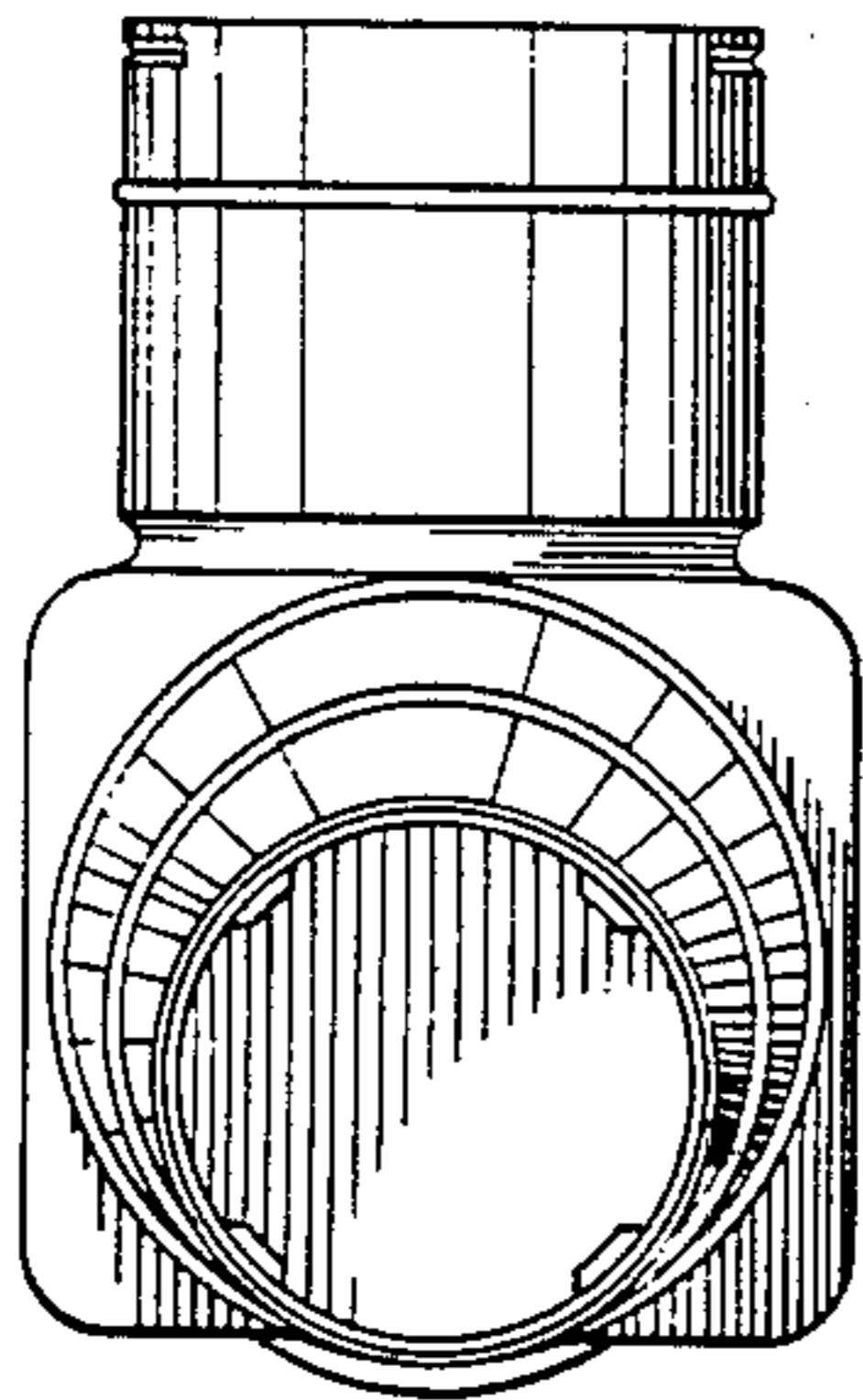


Fig. 10

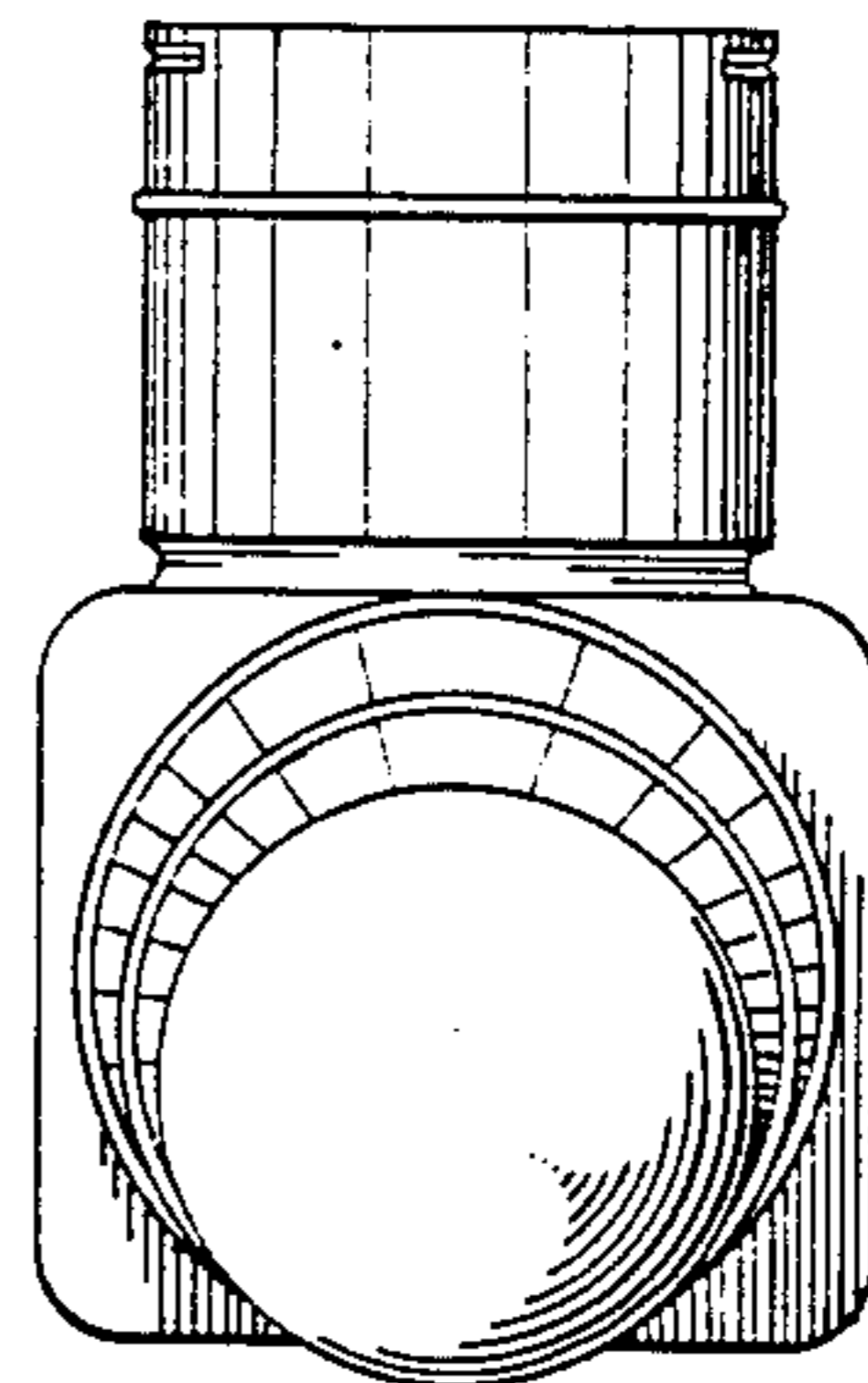


Fig. 11