

# United States Patent [19]

Evans

[11] Patent Number: **Des. 297,042**

[45] Date of Patent: **\*\* Aug. 2, 1988**

[54] **LAWN SPRINKLER**

[75] Inventor: **Bryn Evans, Buckinghamshire, England**

[73] Assignee: **Hozelock-ASL Limited, Aylsbury, England**

[\*\*] Term: **14 Years**

[21] Appl. No.: **766,094**

[22] Filed: **Aug. 15, 1985**

[30] **Foreign Application Priority Data**

Feb. 15, 1985 [GB] United Kingdom ..... 1025050  
[52] U.S. Cl. .... **D23/214**  
[58] Field of Search ..... **D23/6-8;**  
**239/205, 214.15, 222.13, 225.1, 231, 247-248,**  
**390-392**

[56] **References Cited**

**U.S. PATENT DOCUMENTS**

D. 200,041 1/1965 Boyd ..... D23/7  
D. 253,904 1/1980 Clearman ..... D23/7  
3,323,725 6/1967 Hruby, Jr. .... 239/205

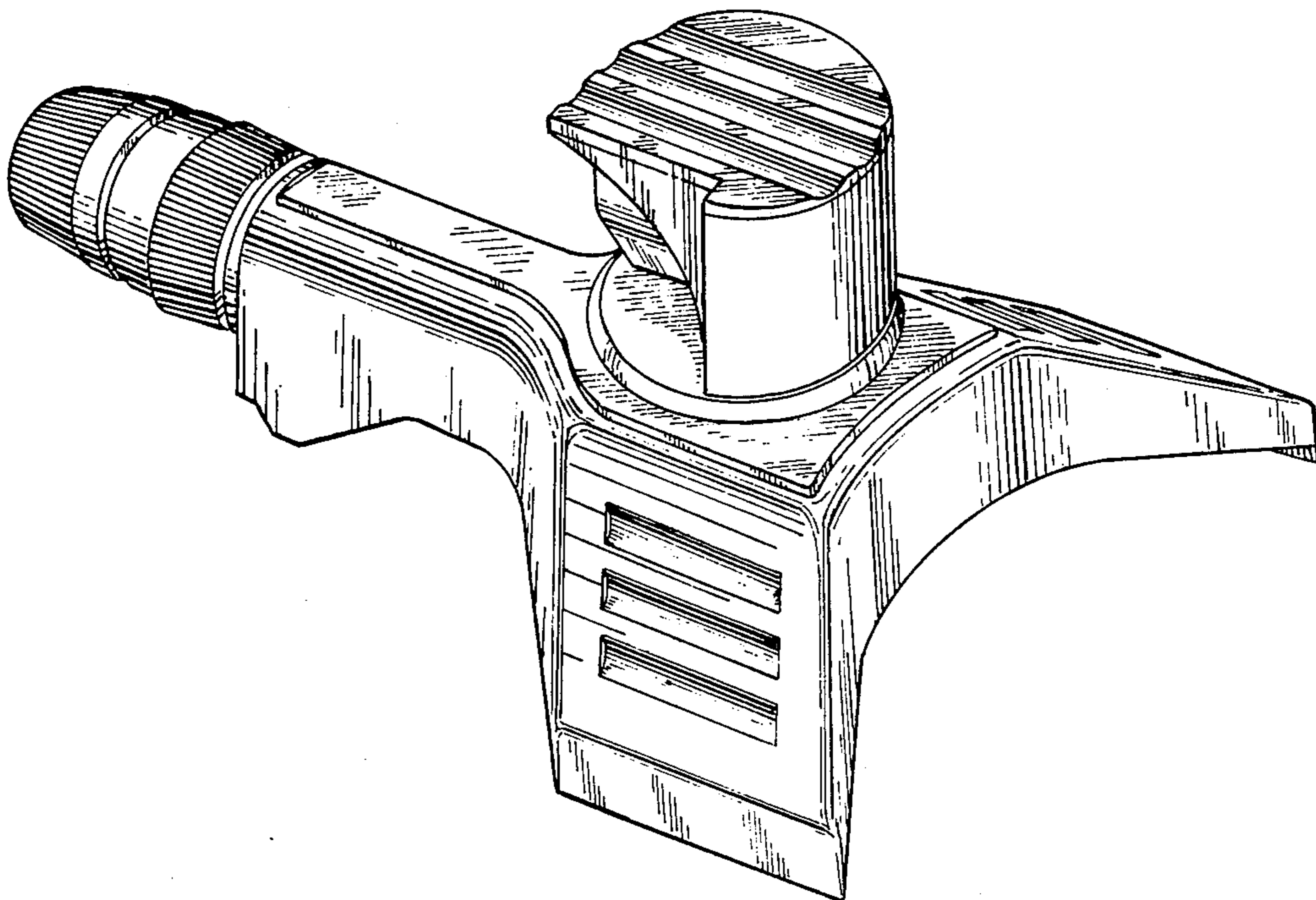
*Primary Examiner*—Wallace R. Burke  
*Assistant Examiner*—Brian N. Vinson  
*Attorney, Agent, or Firm*—Lee & Smith

[57] **CLAIM**

The ornamental design for a lawn sprinkler, as shown and described.

**DESCRIPTION**

FIG. 1 is a top plan view of a lawn sprinkler showing my new design;  
FIG. 2 is a bottom plan view thereof;  
FIG. 3 is a side elevational view thereof;  
FIG. 4 is an opposite side elevational view thereof;  
FIG. 5 is an end elevational view thereof;  
FIG. 6 is an opposite end elevational view thereof; and  
FIG. 7 is a top perspective view thereof.



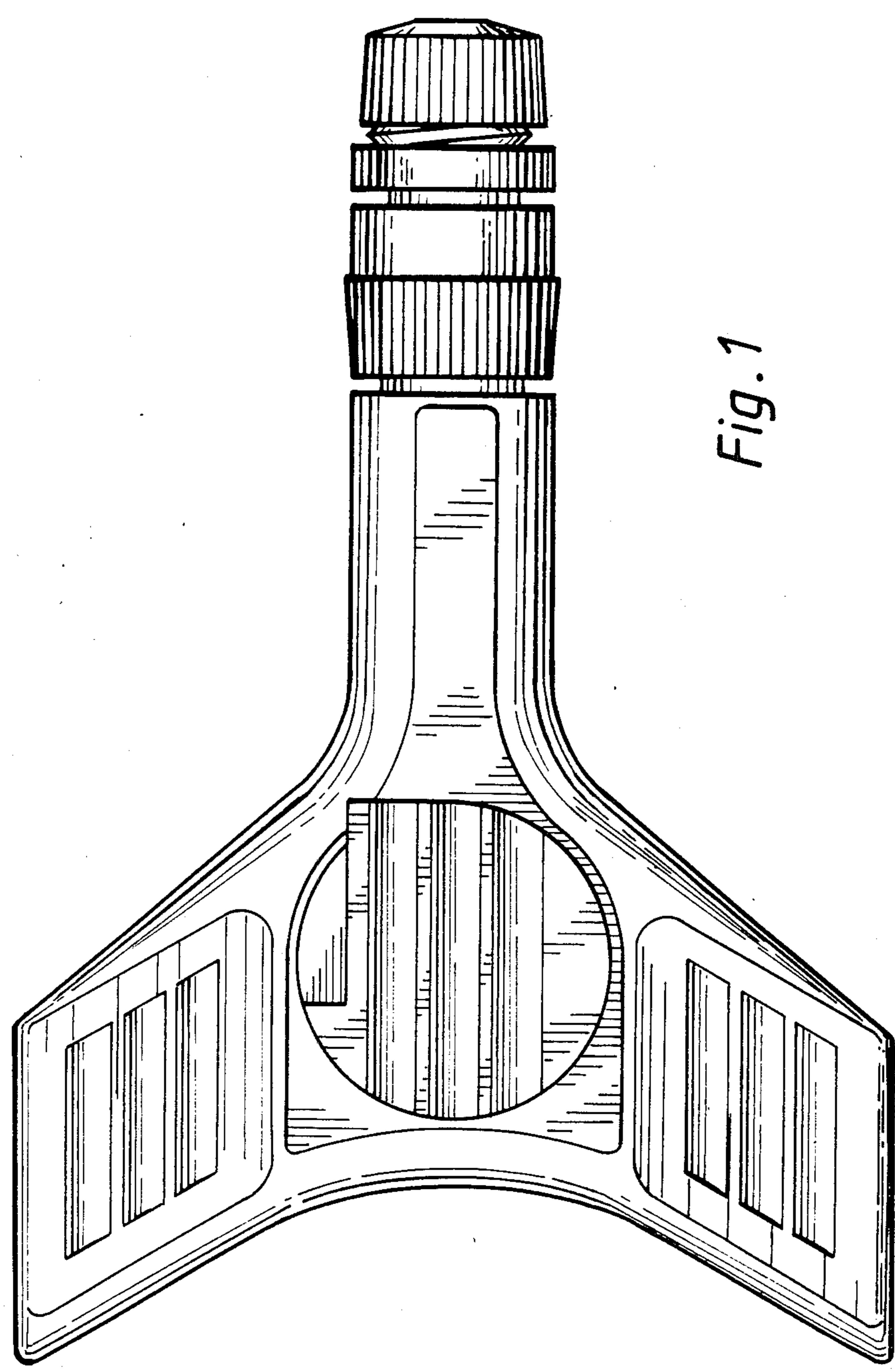


Fig. 1

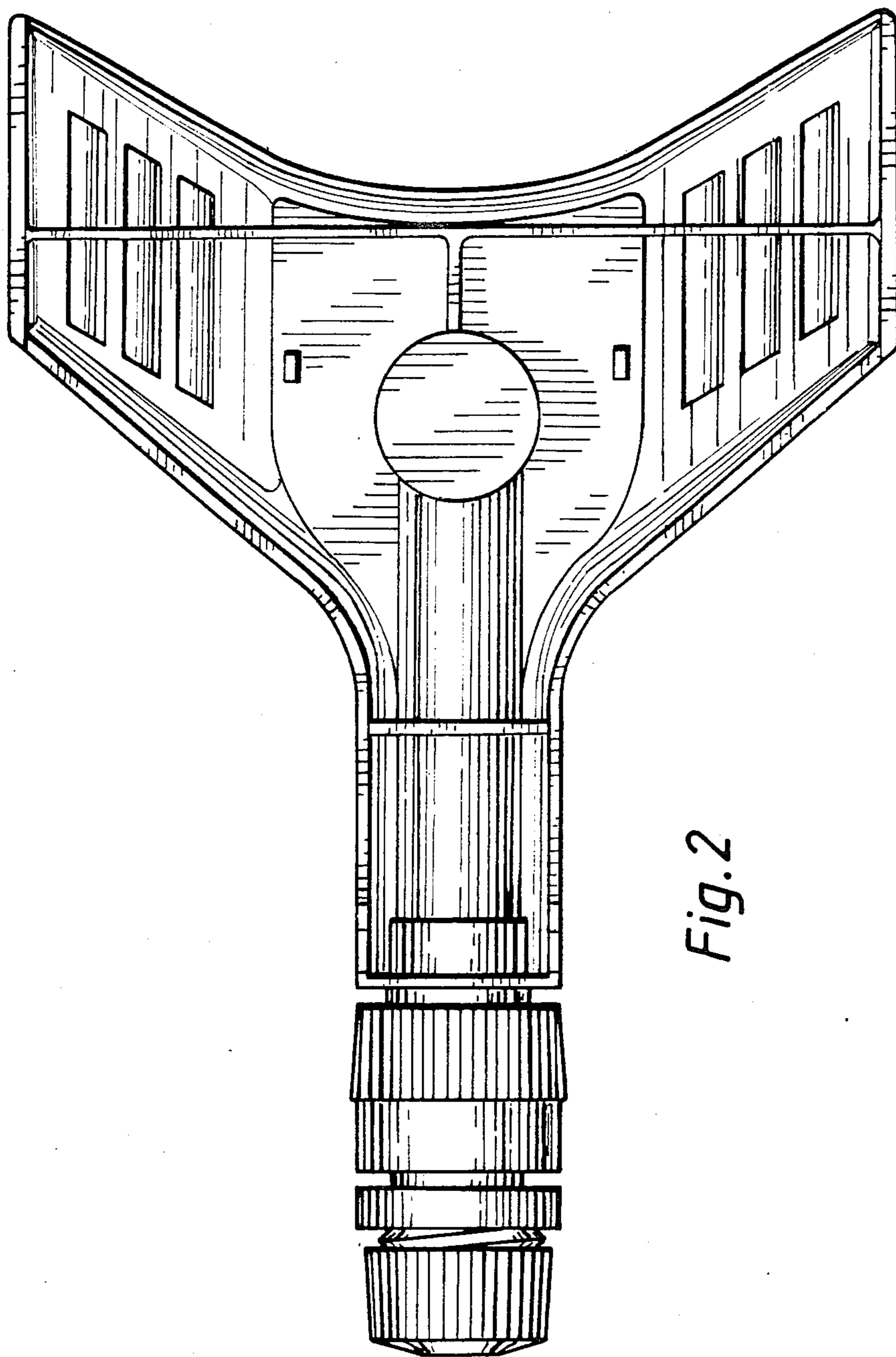


Fig. 2

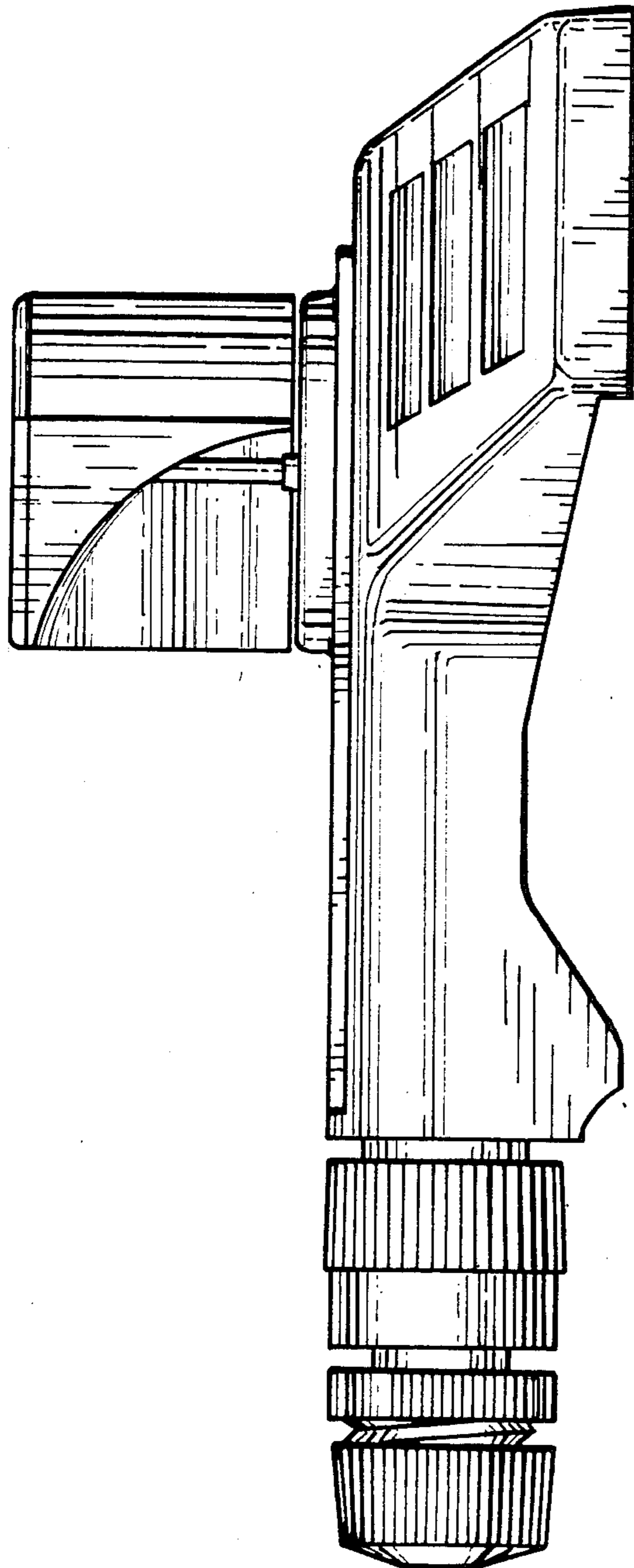


Fig. 3

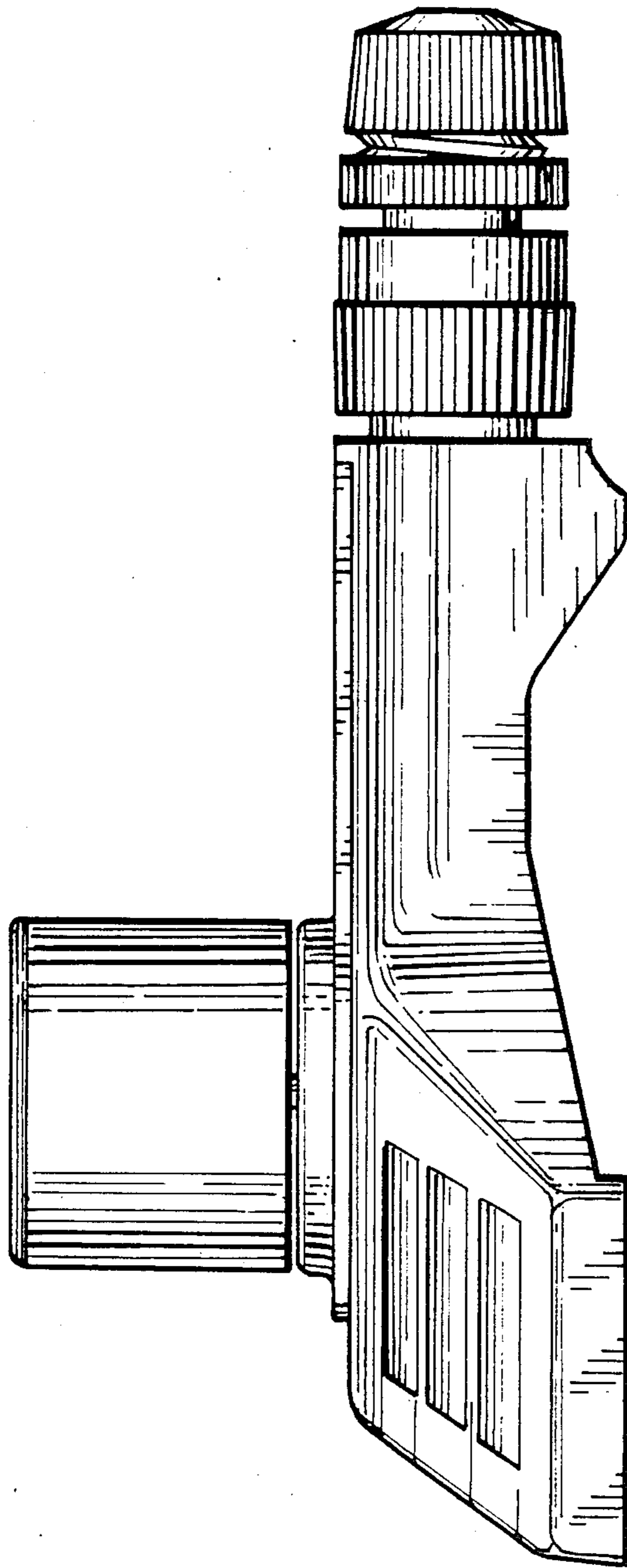
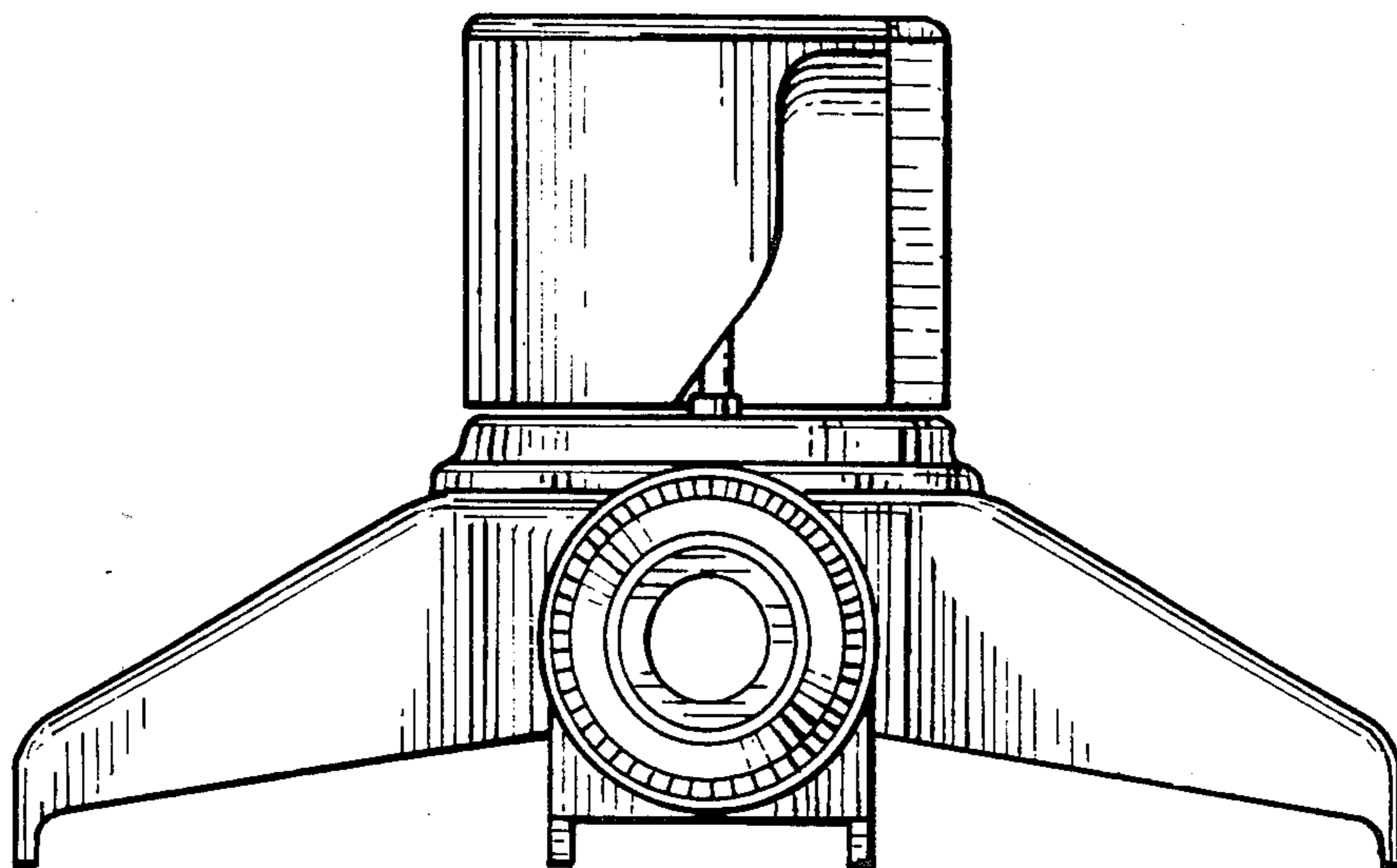
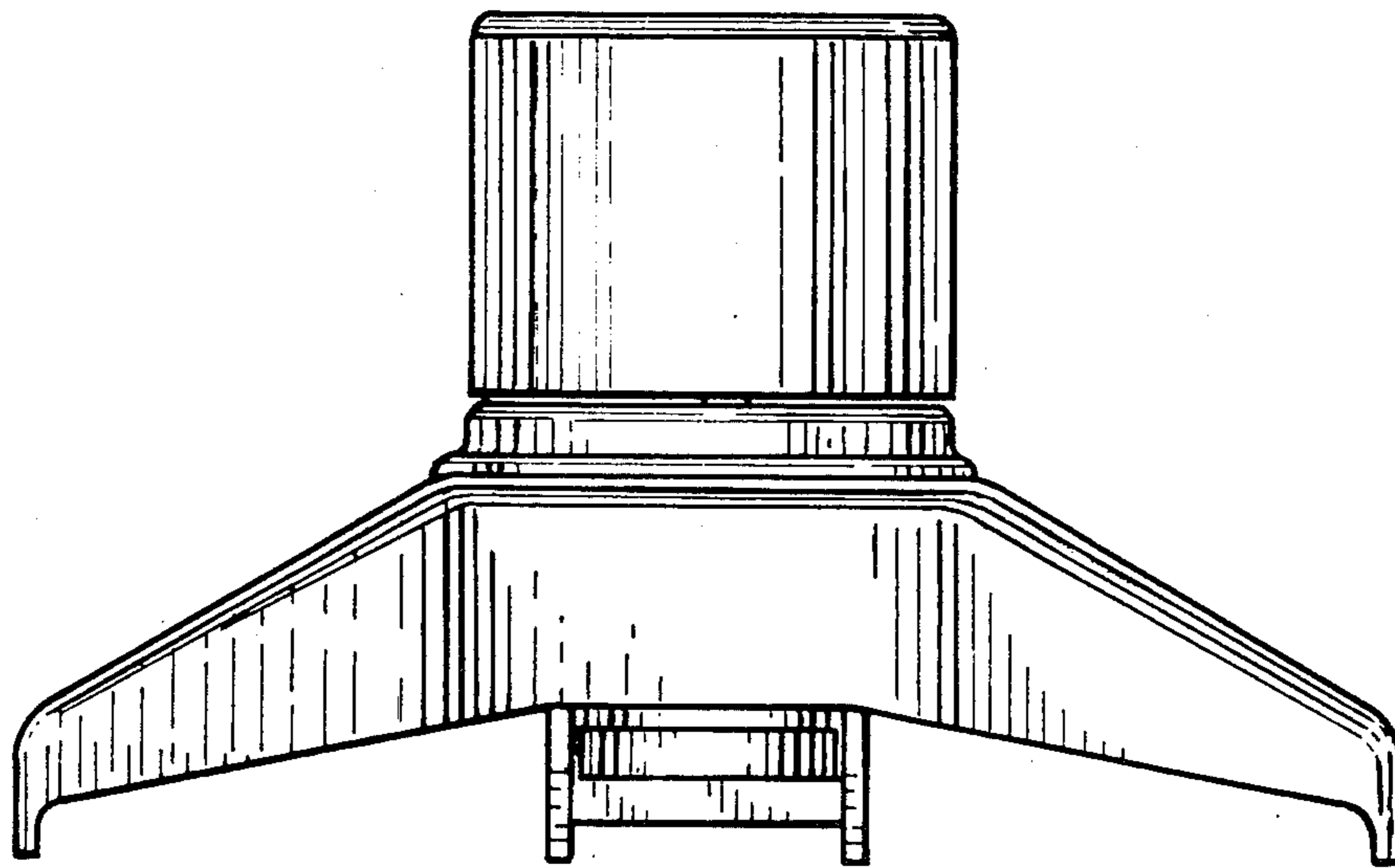


Fig. 4



*Fig. 5*



*Fig. 6*

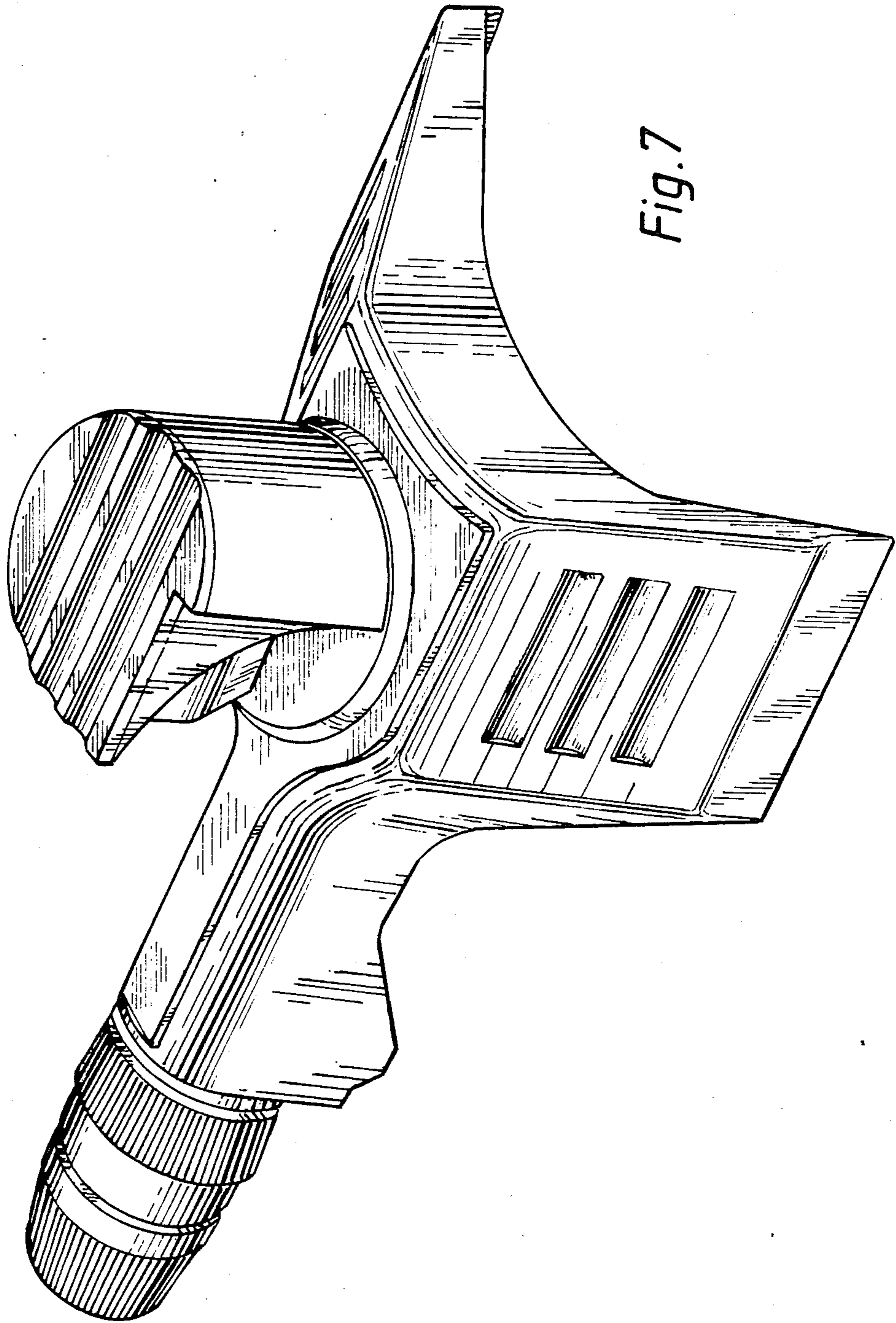


Fig. 7