

United States Patent [19]

Matsumoto

[11] Patent Number: Des. 297,039

[45] Date of Patent: ** Aug. 2, 1988

[54] **ROBOTIC-HUMANOID TOY ASSEMBLY**

[75] Inventor: **Kaoru Matsumoto, Tokyo, Japan**

[73] Assignee: **Takara Co., Ltd., Tokyo, Japan**

[**] Term: **14 Years**

[21] Appl. No.: **804,755**

[22] Filed: **Nov. 12, 1985**

[30] **Foreign Application Priority Data**

Aug. 1, 1985 [JP] Japan 60-32908

[52] U.S. Cl. **D21/166; D21/150**

[58] Field of Search **D21/150, 166, 128-140; 446/376, 487, 71-75, 99, 100**

[56] **References Cited**

U.S. PATENT DOCUMENTS

D. 279,306 6/1985 Muzakami D21/188

D. 285,589 9/1986 Matsushiro D21/150
D. 287,381 12/1986 Ohno D21/188
D. 290,484 6/1987 Yoke D21/150

Primary Examiner—Charles A. Rademaker
Attorney, Agent, or Firm—Price, Gess & Ubell

[57] CLAIM

The ornamental design for a robotic-humanoid toy assembly, as shown and described.

DESCRIPTION

FIG. 1 is a front perspective view of a robotic-humanoid toy assembly showing my new design; FIG. 2 is a front elevational view thereof; FIG. 3 is a right side elevational view thereof; FIG. 4 is a rear elevational view thereof; FIG. 5 is a left side elevational view thereof; FIG. 6 is a top plan view thereof, and FIG. 7 is a bottom plan view thereof.

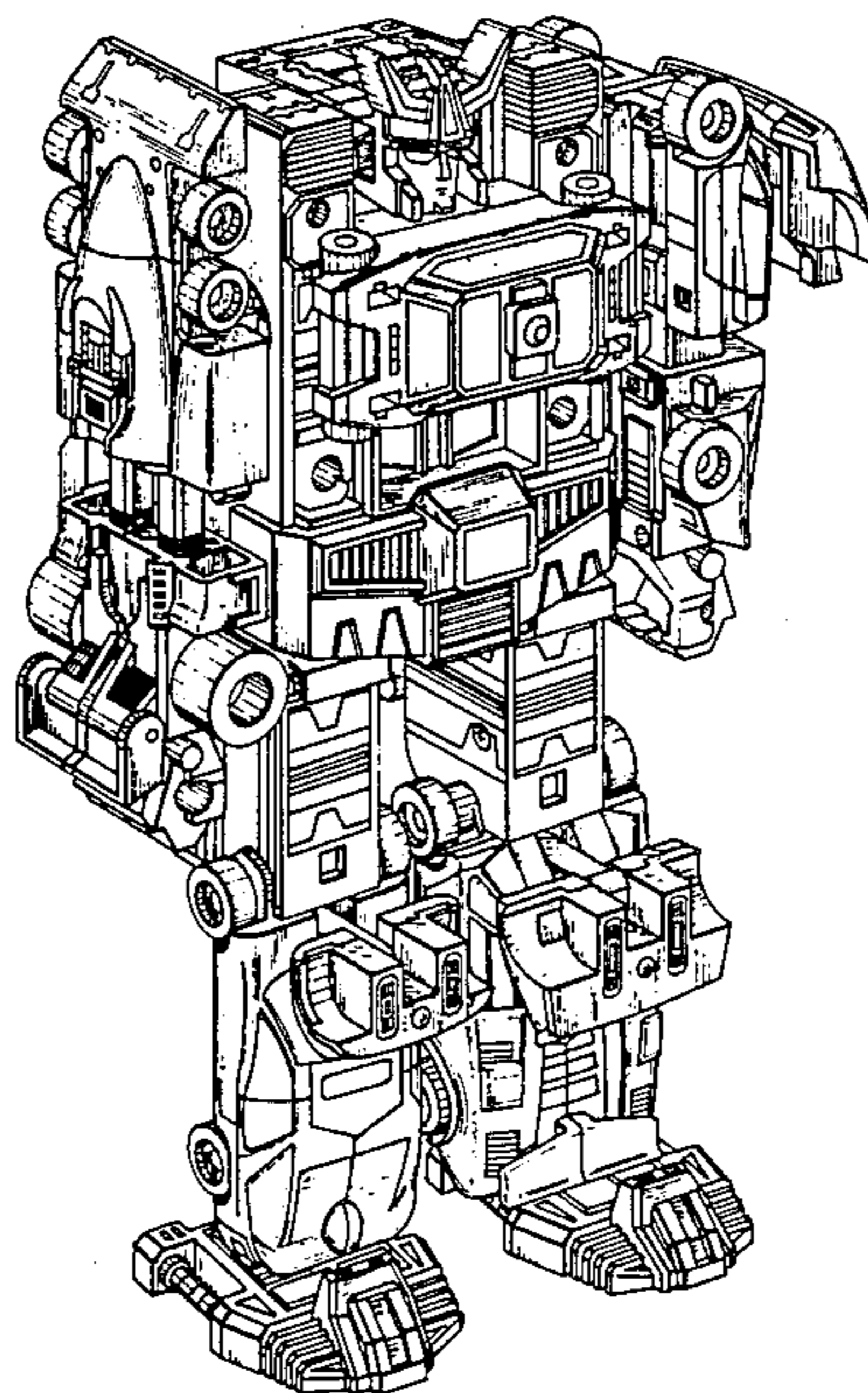


FIG. 1

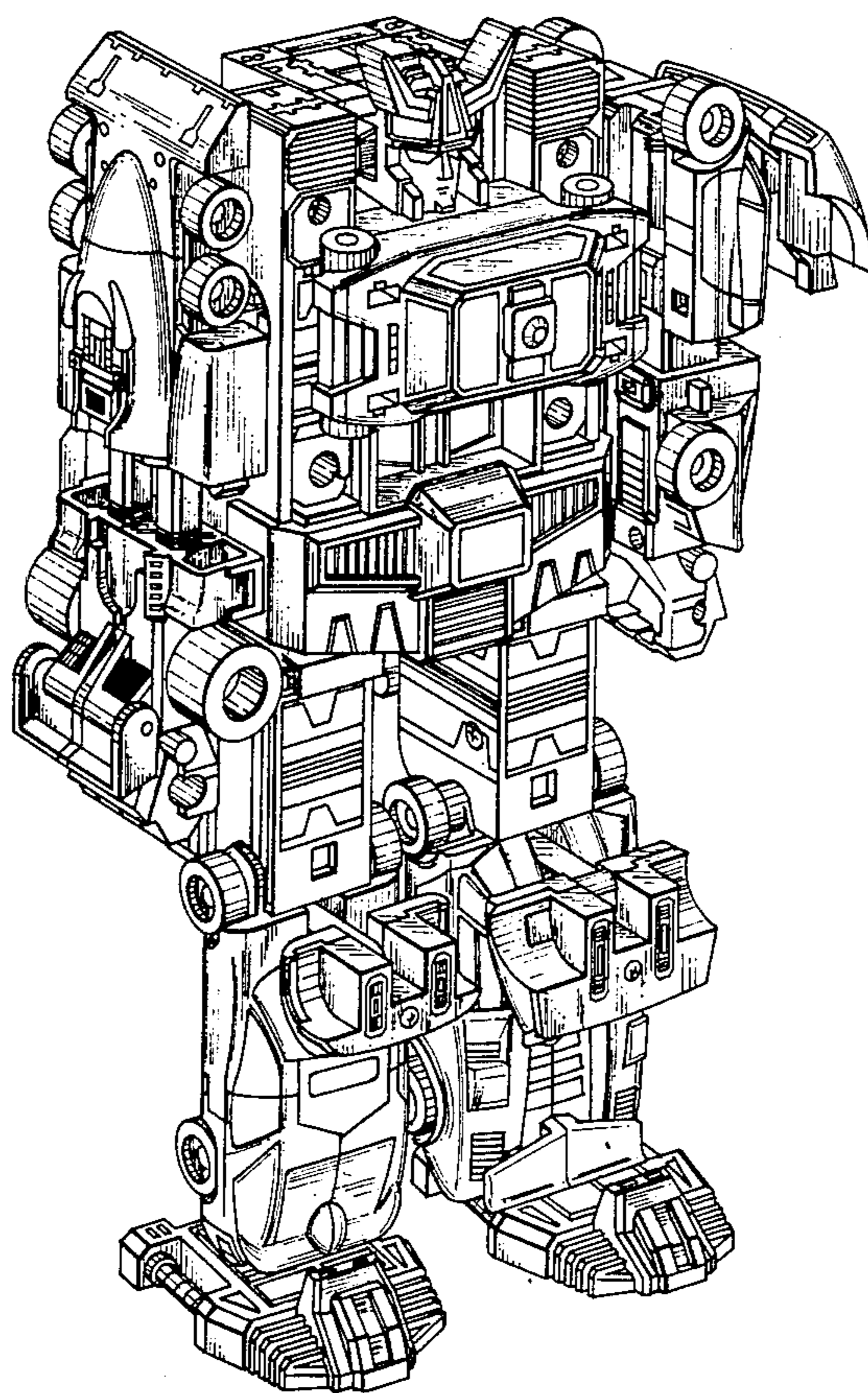


FIG. 3

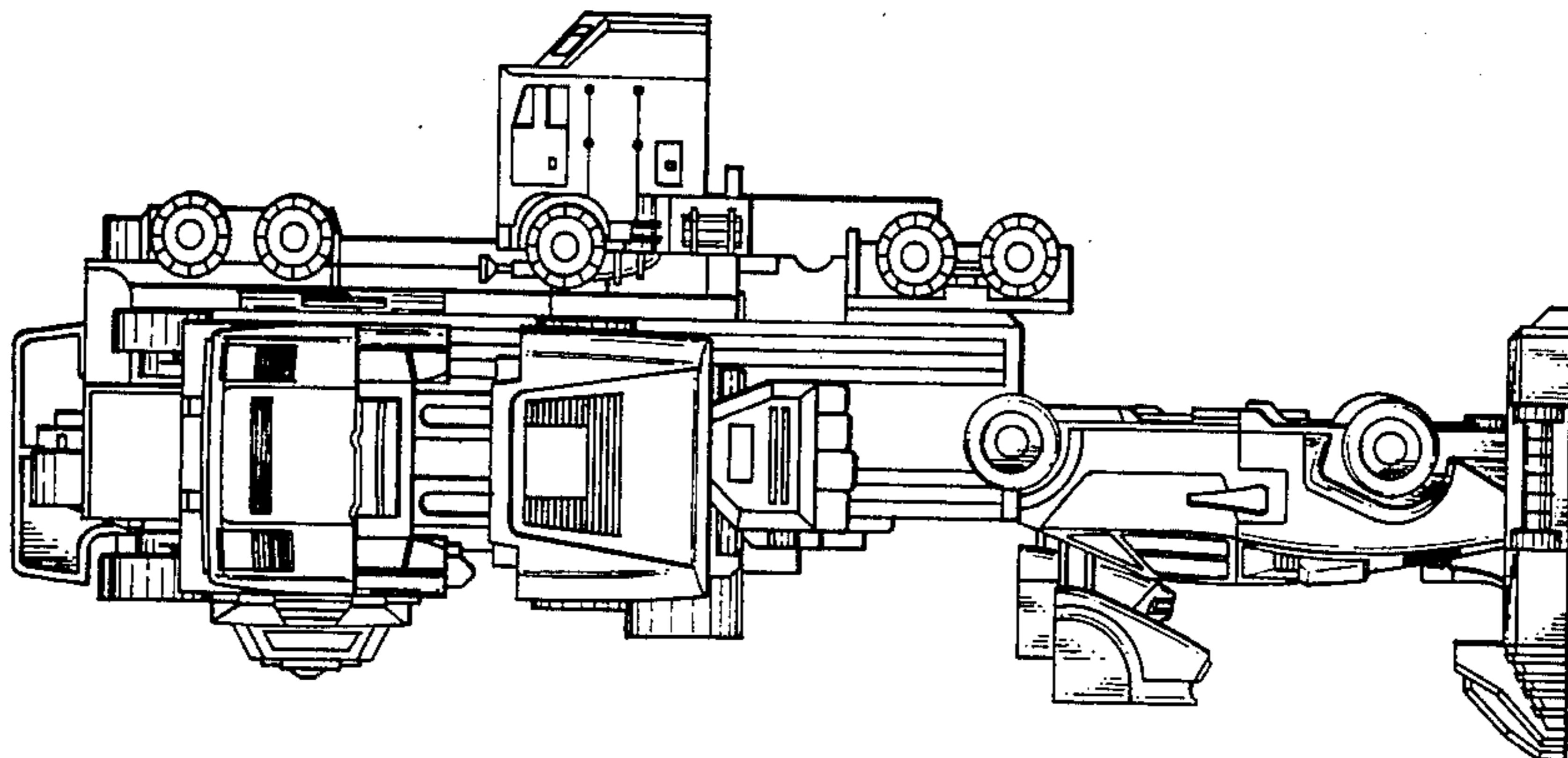


FIG. 2

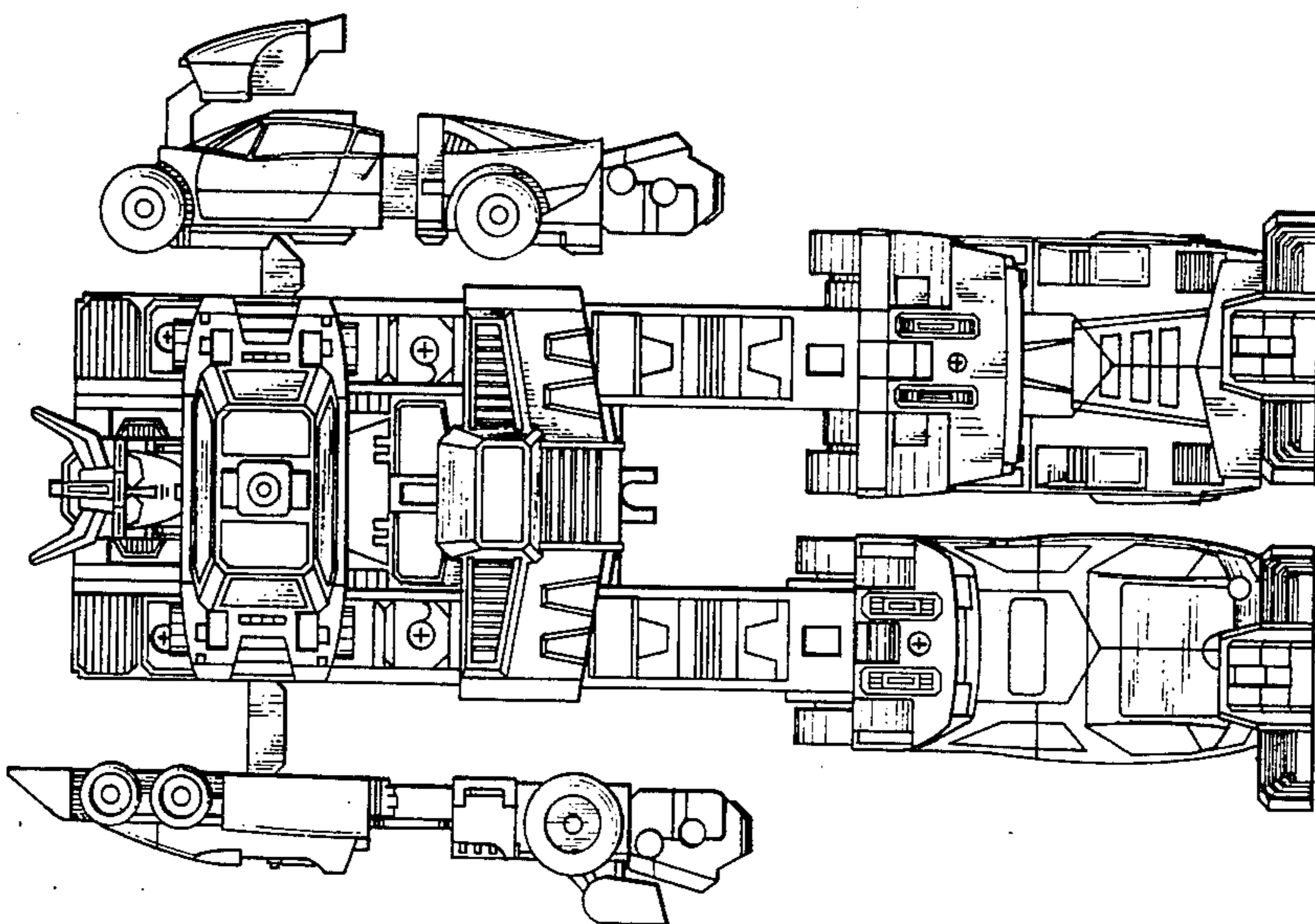


FIG. 5

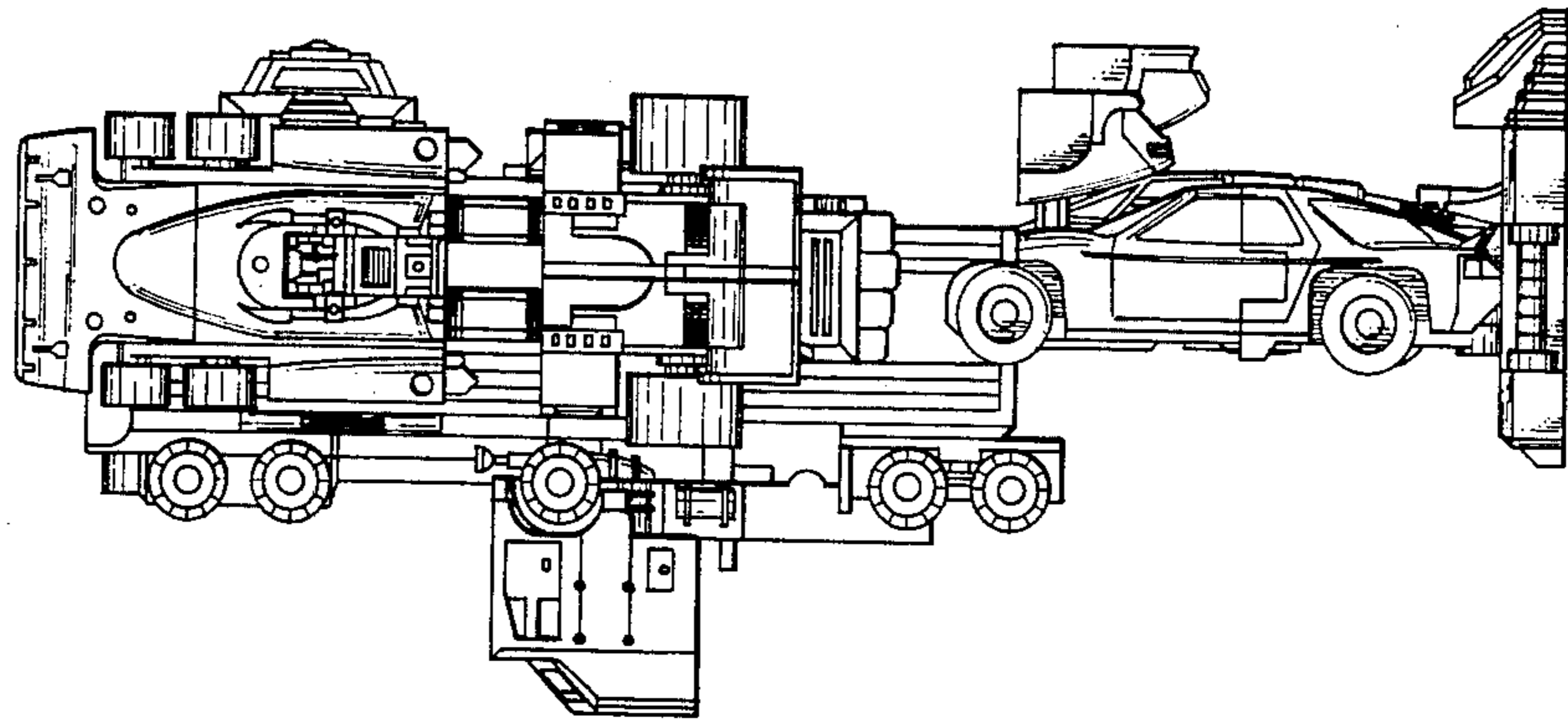


FIG. 4

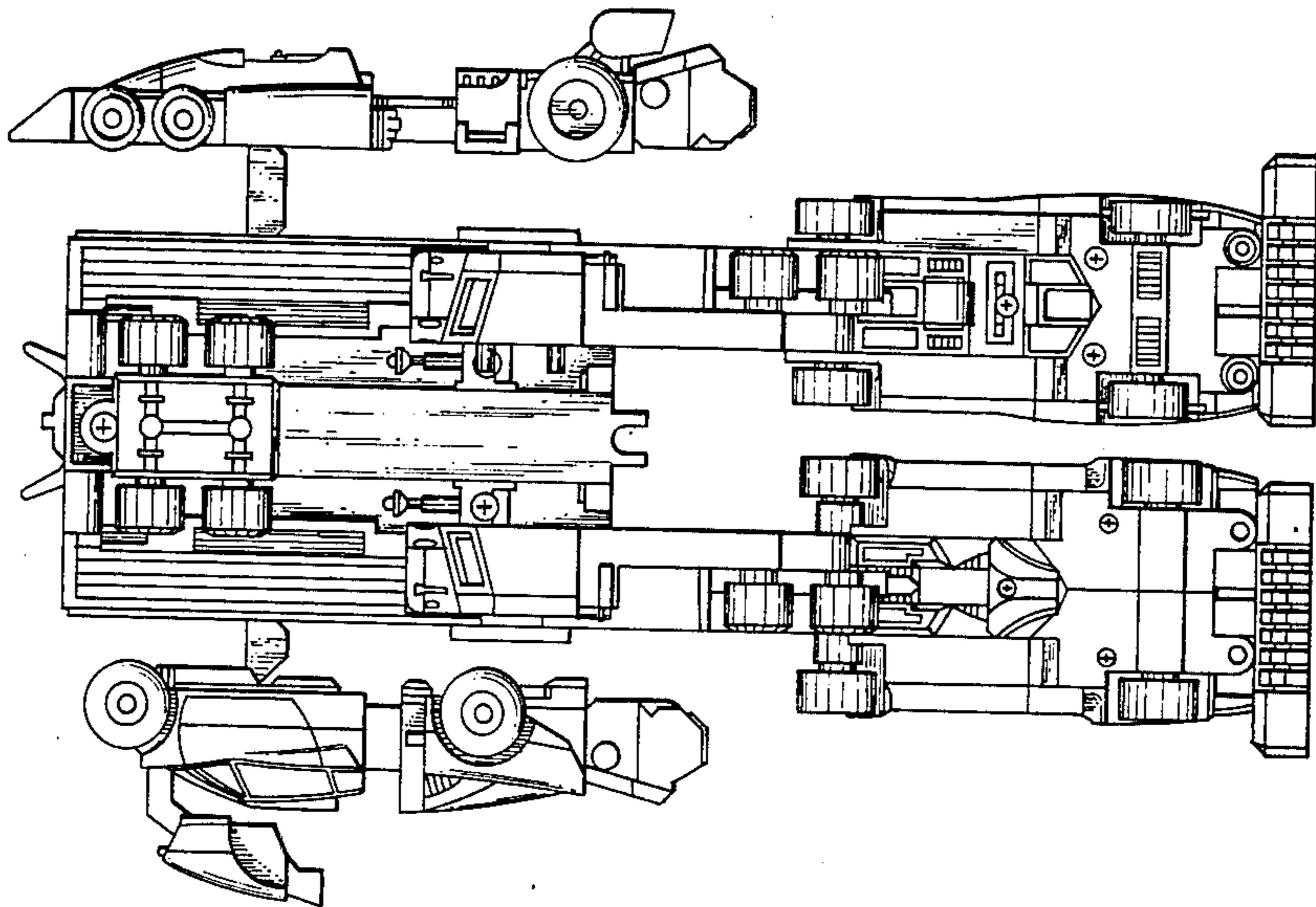


FIG. 6

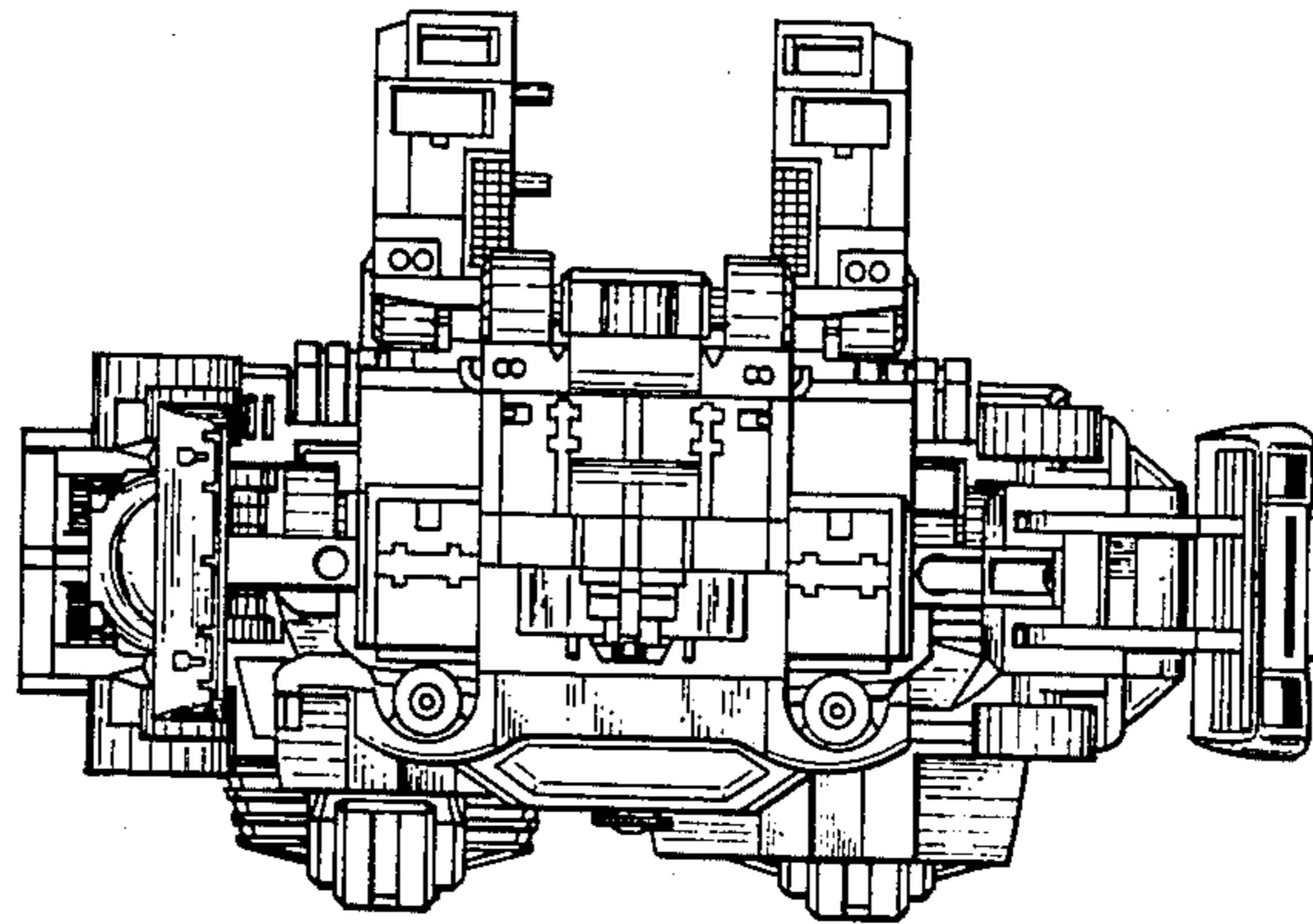


FIG. 7

