

[54] RECONFIGURABLE TOY VEHICLE

[75] Inventor: Kaoru Matsumoto, Tokyo, Japan

[73] Assignee: Takara Co., Ltd., Tokyo, Japan

[**] Term: 14 Years

[21] Appl. No.: 804,799

[22] Filed: Nov. 12, 1985

[30] Foreign Application Priority Data

Jul. 31, 1985 [JP] Japan 60-32691

[52] U.S. Cl. D21/140

[58] Field of Search D21/128-140,
D21/150, 166; 446/71, 72, 76, 77, 94, 383, 487;
D12/13, 96

[56] References Cited

U.S. PATENT DOCUMENTS

- D. 237,370 10/1975 Johnson D12/13
D. 288,342 2/1987 Ohno D21/150
D. 288,577 3/1987 Ohno D21/150
D. 289,908 5/1987 Nagano D21/150

OTHER PUBLICATIONS

Commercial Car Journal, 9-1959, p. 14, Truck.

Primary Examiner—Charles A. Rademaker
Attorney, Agent, or Firm—Price, Gess & Ubell

[57] CLAIM

The ornamental design for a reconfigurable toy vehicle, as shown and described.

DESCRIPTION

FIG. 1 is a perspective view of a reconfigurable toy vehicle showing my new design;

FIG. 2 is a front elevational view thereof;

FIG. 3 is a side elevational view thereof, the side opposite being substantially a mirror image;

FIG. 4 is a rear elevational view thereof;

FIG. 5 is a top plan view thereof;

FIG. 6 is a bottom plan view thereof;

FIG. 7 is a front perspective view of the design shown in FIGS. 1 through 6 reconfigured in a robotic humanoid configuration.

FIG. 8 is a front elevational view thereof;

FIG. 9 is a side elevational view thereof, the side opposite being substantially a mirror image;

FIG. 10 is a rear elevational view thereof;

FIG. 11 is a top plan view thereof; and

FIG. 12 is a bottom plan view thereof.

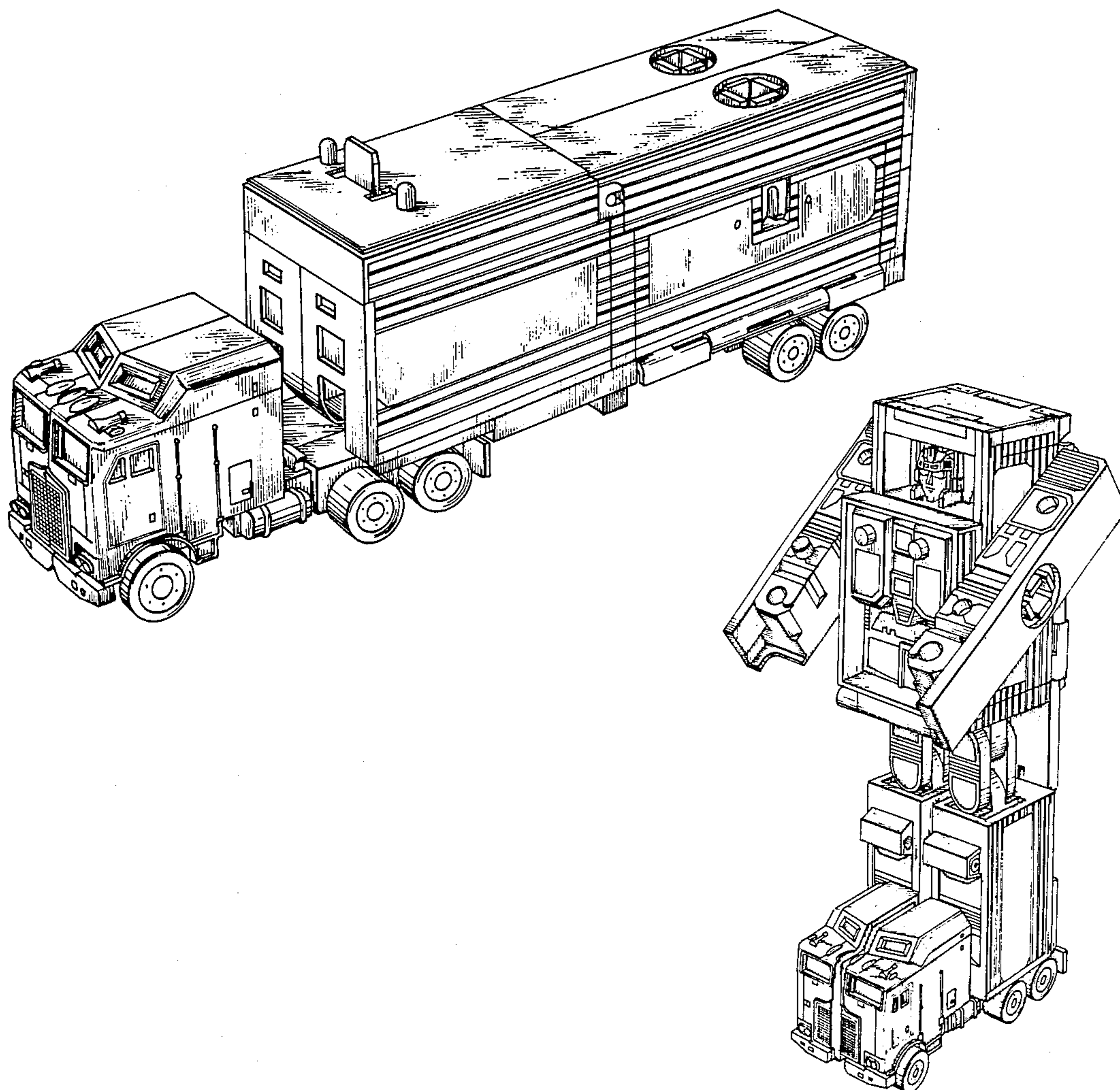


FIG. 1

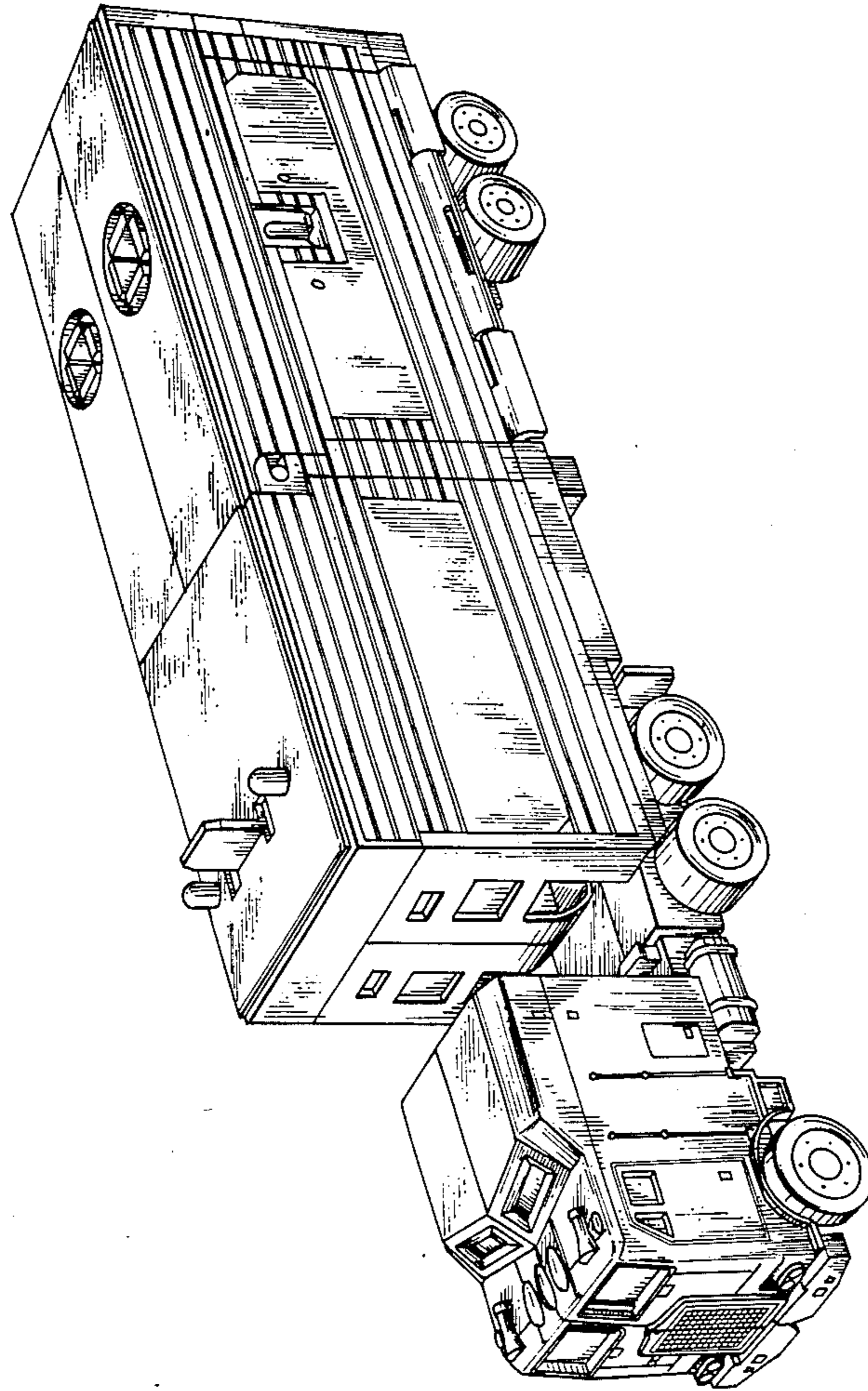


FIG. 2

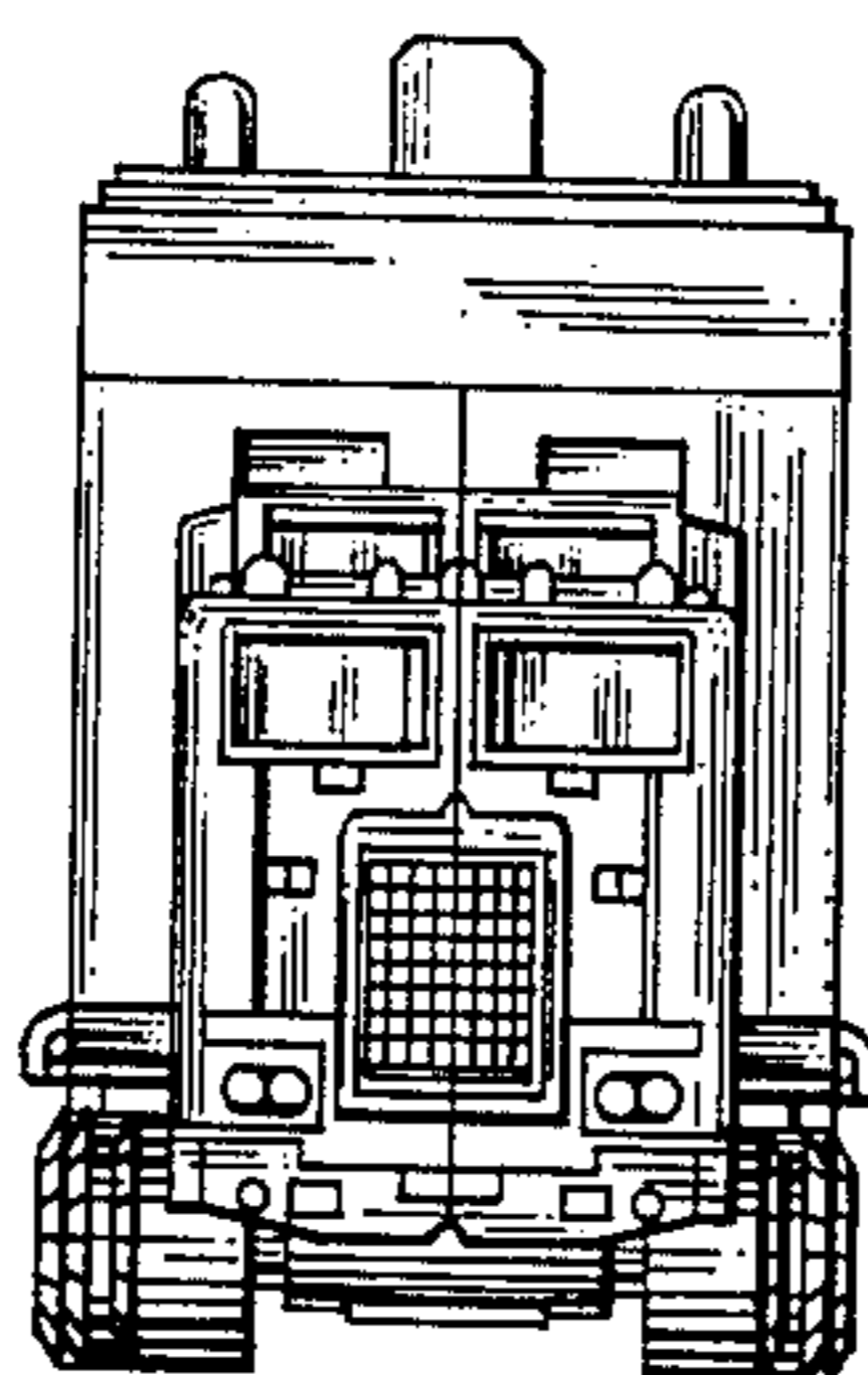


FIG. 3

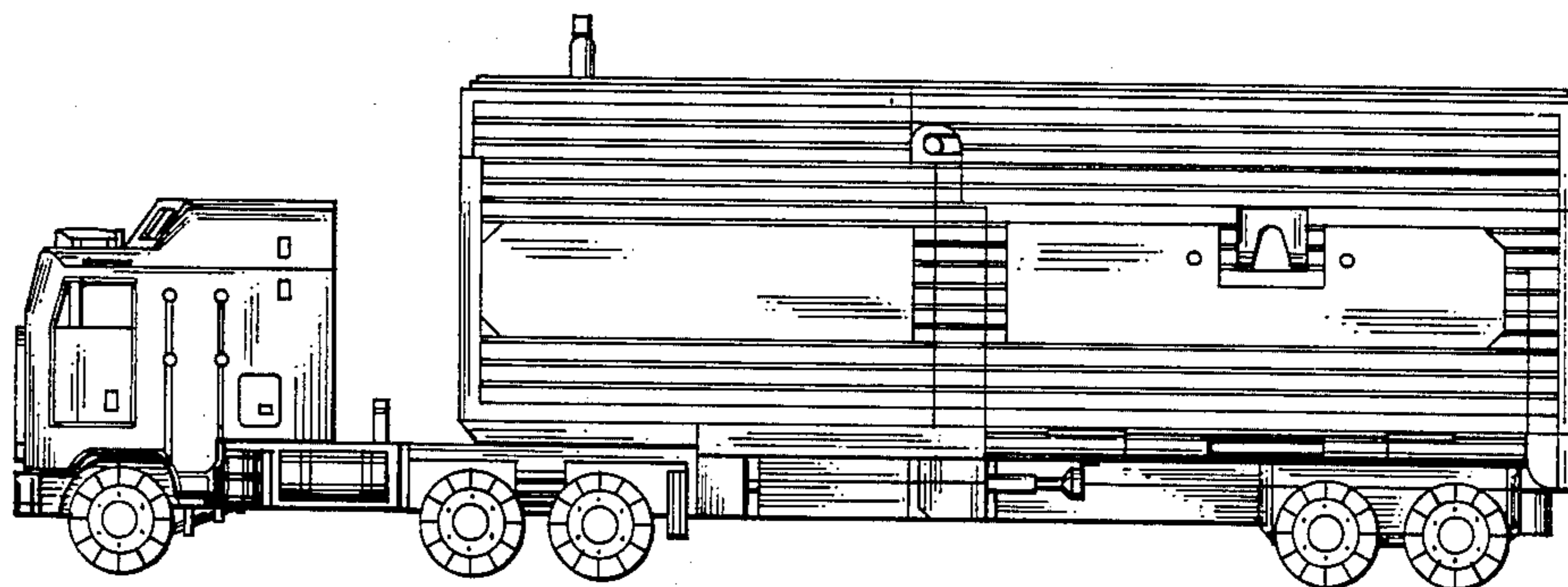


FIG. 4

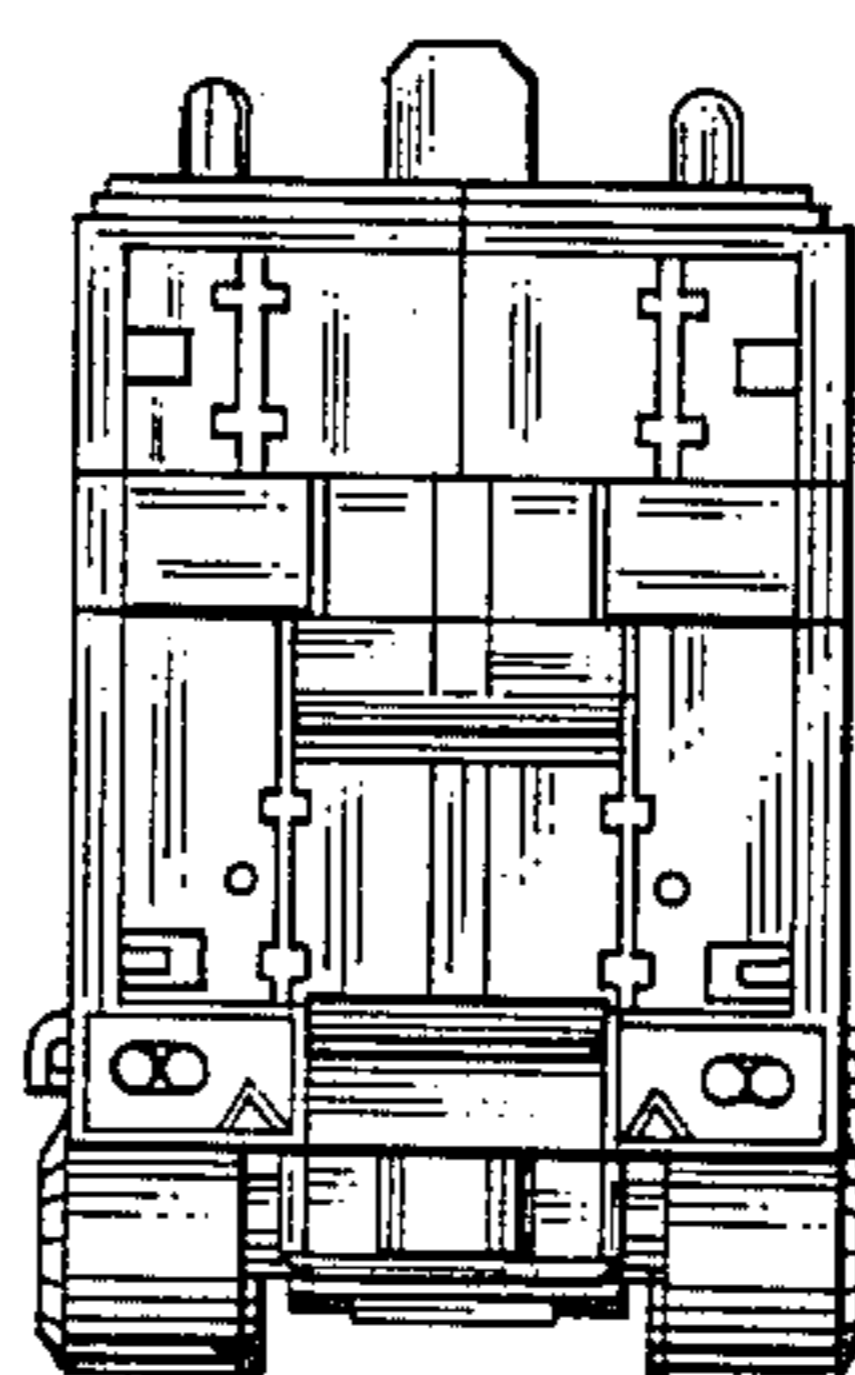


FIG. 5

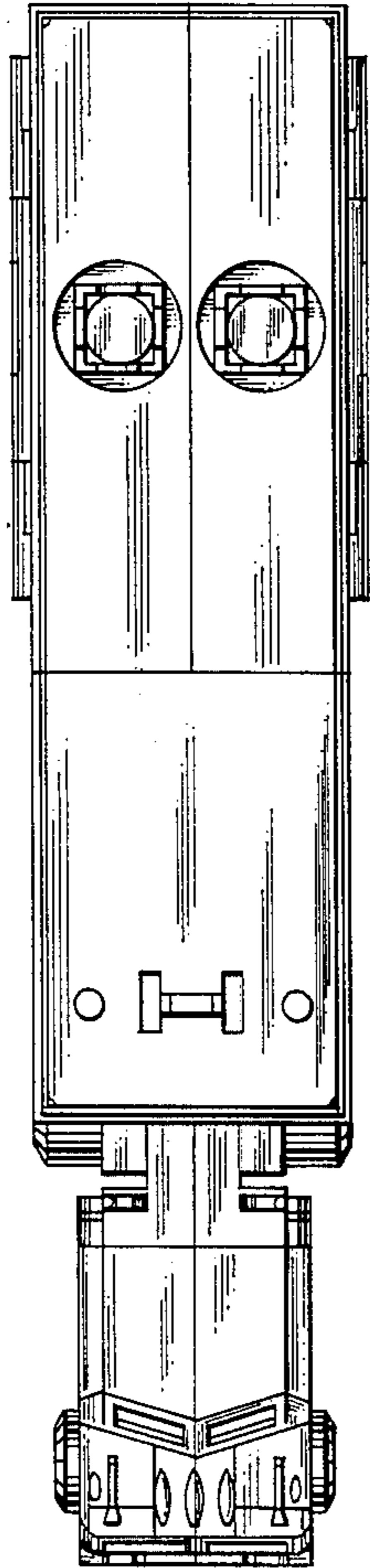


FIG. 6

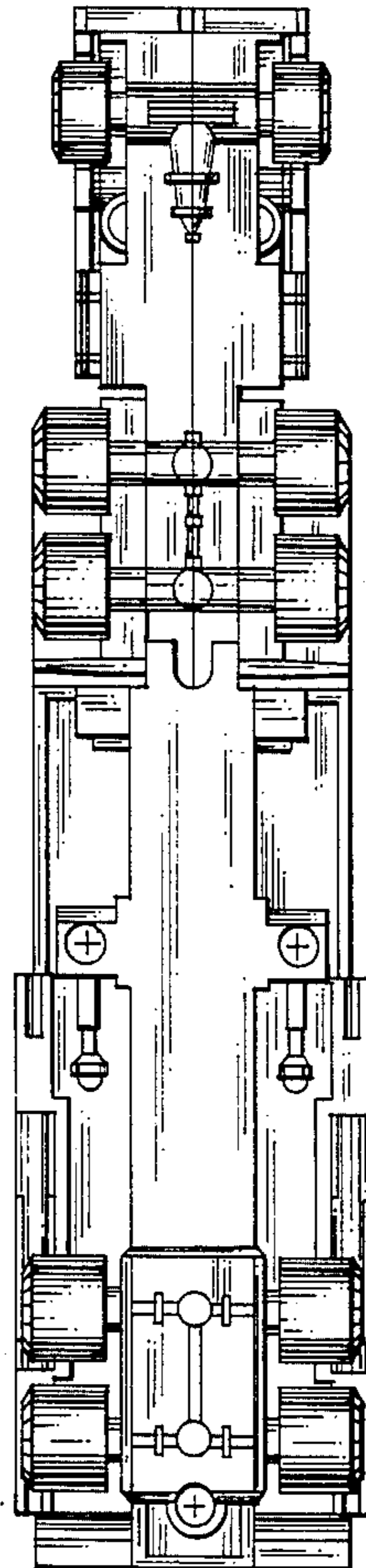
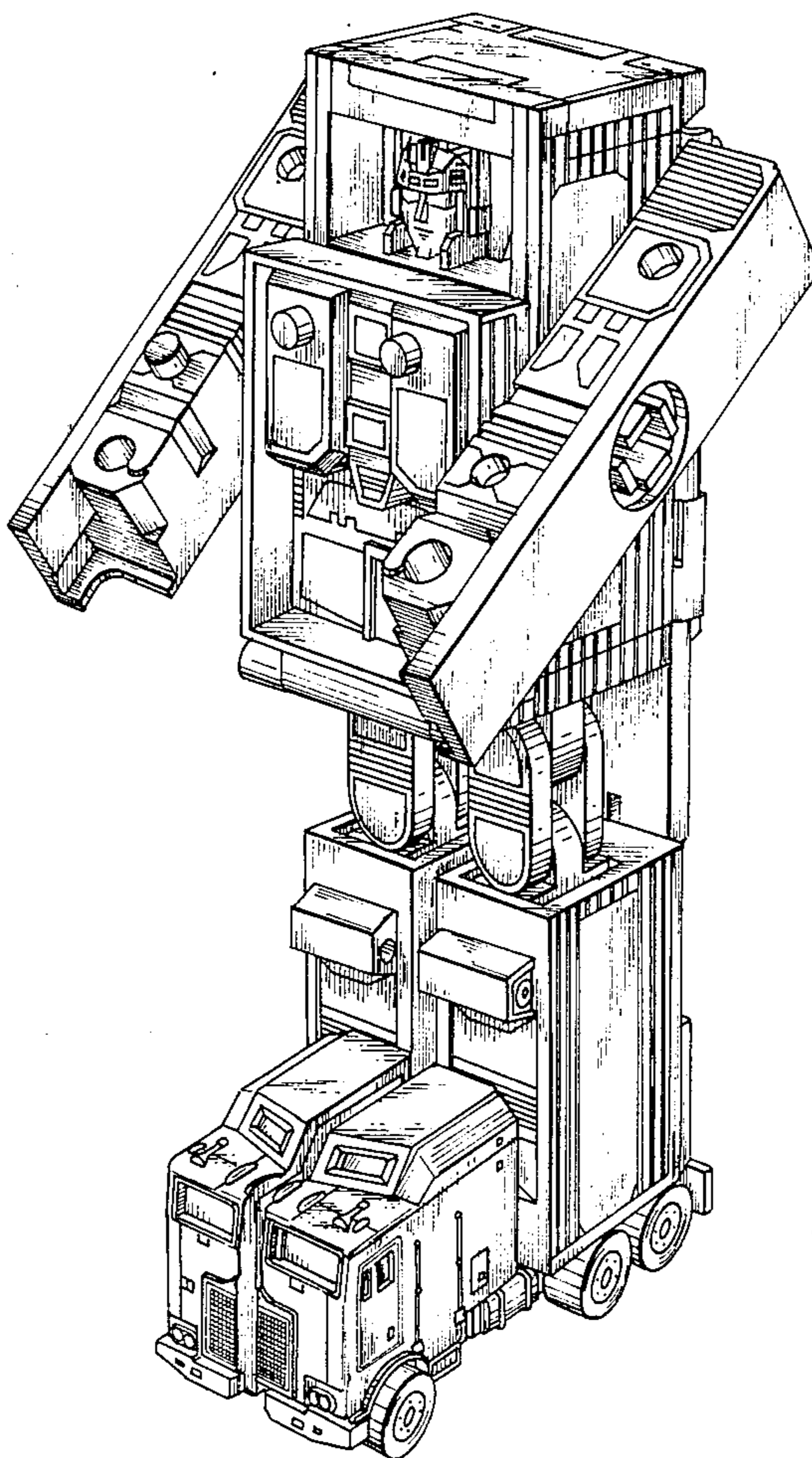


FIG. 7



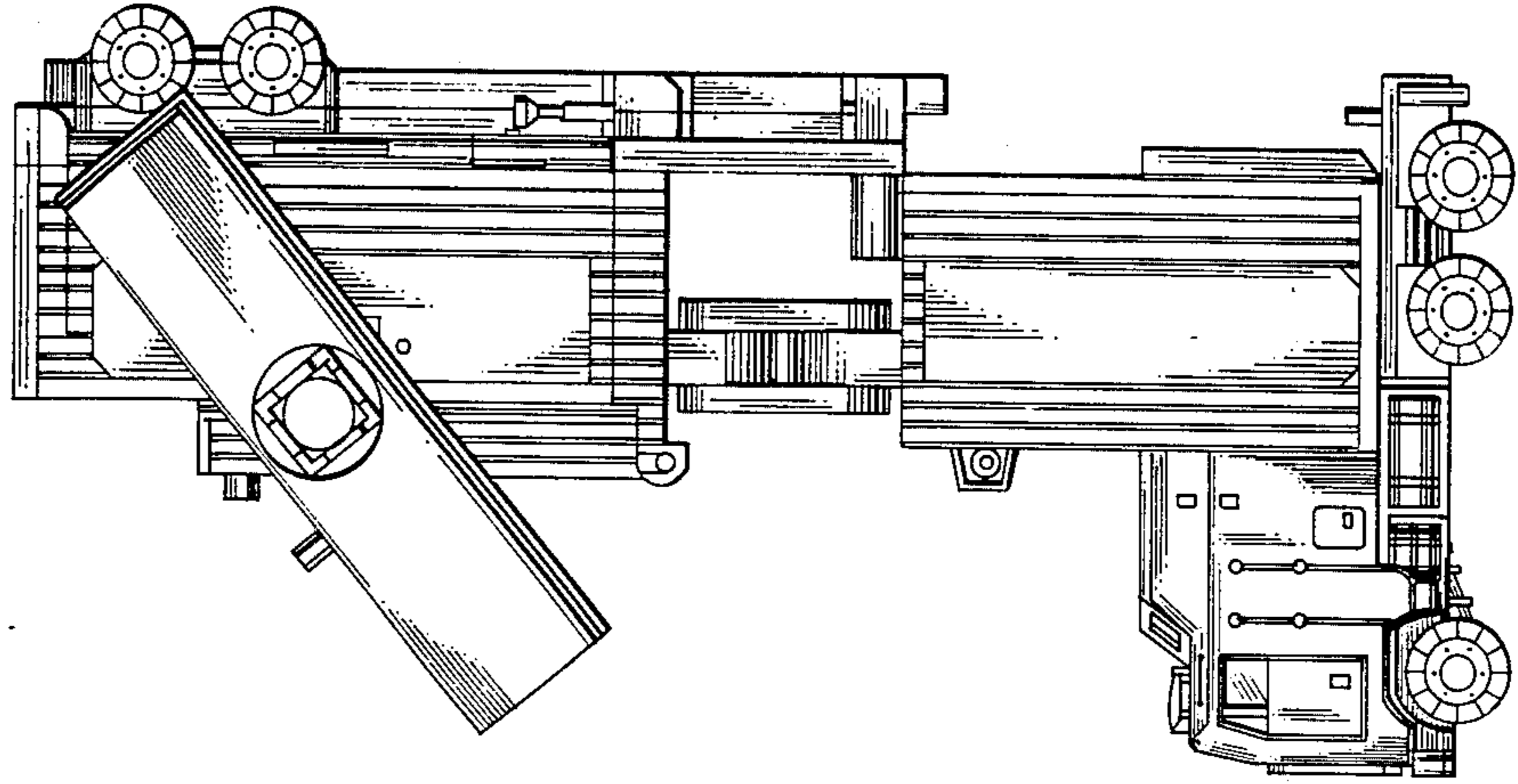


FIG. 9

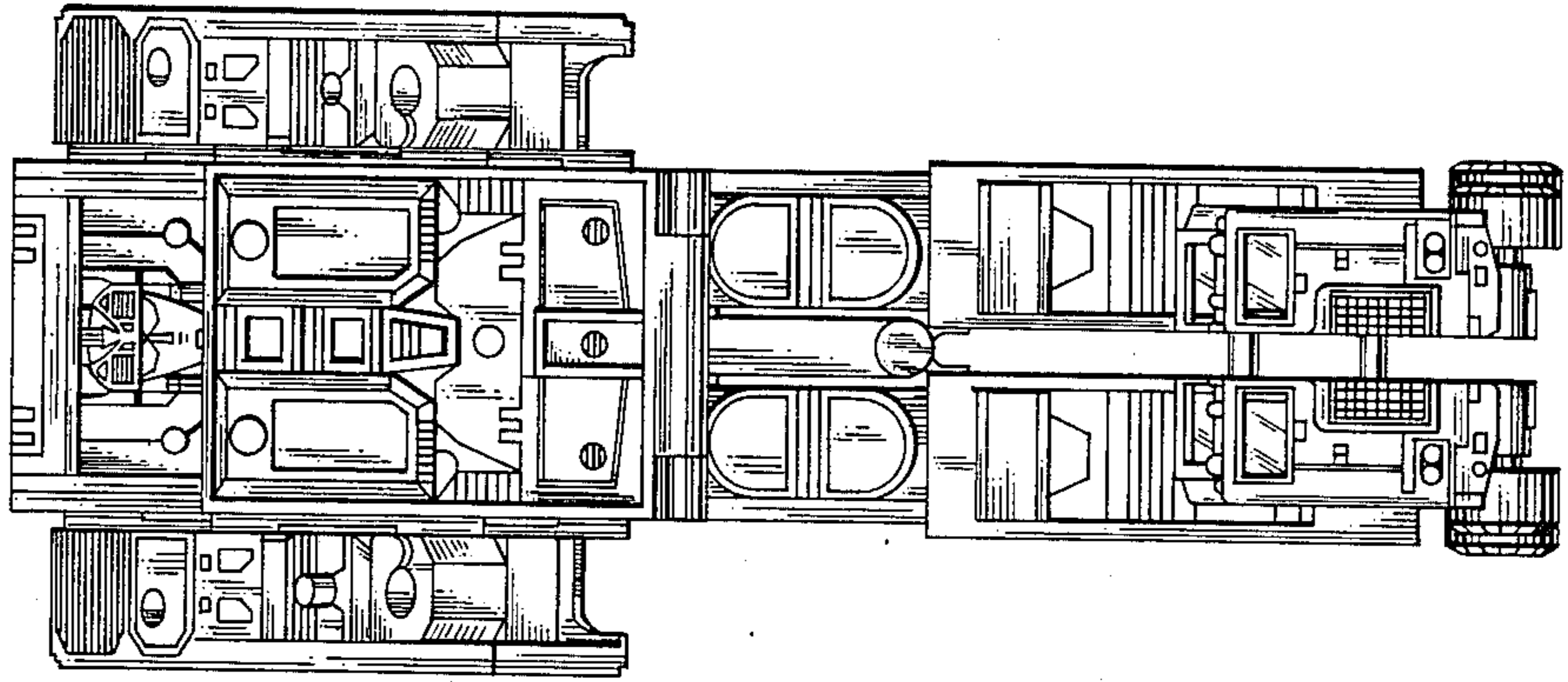


FIG. 8

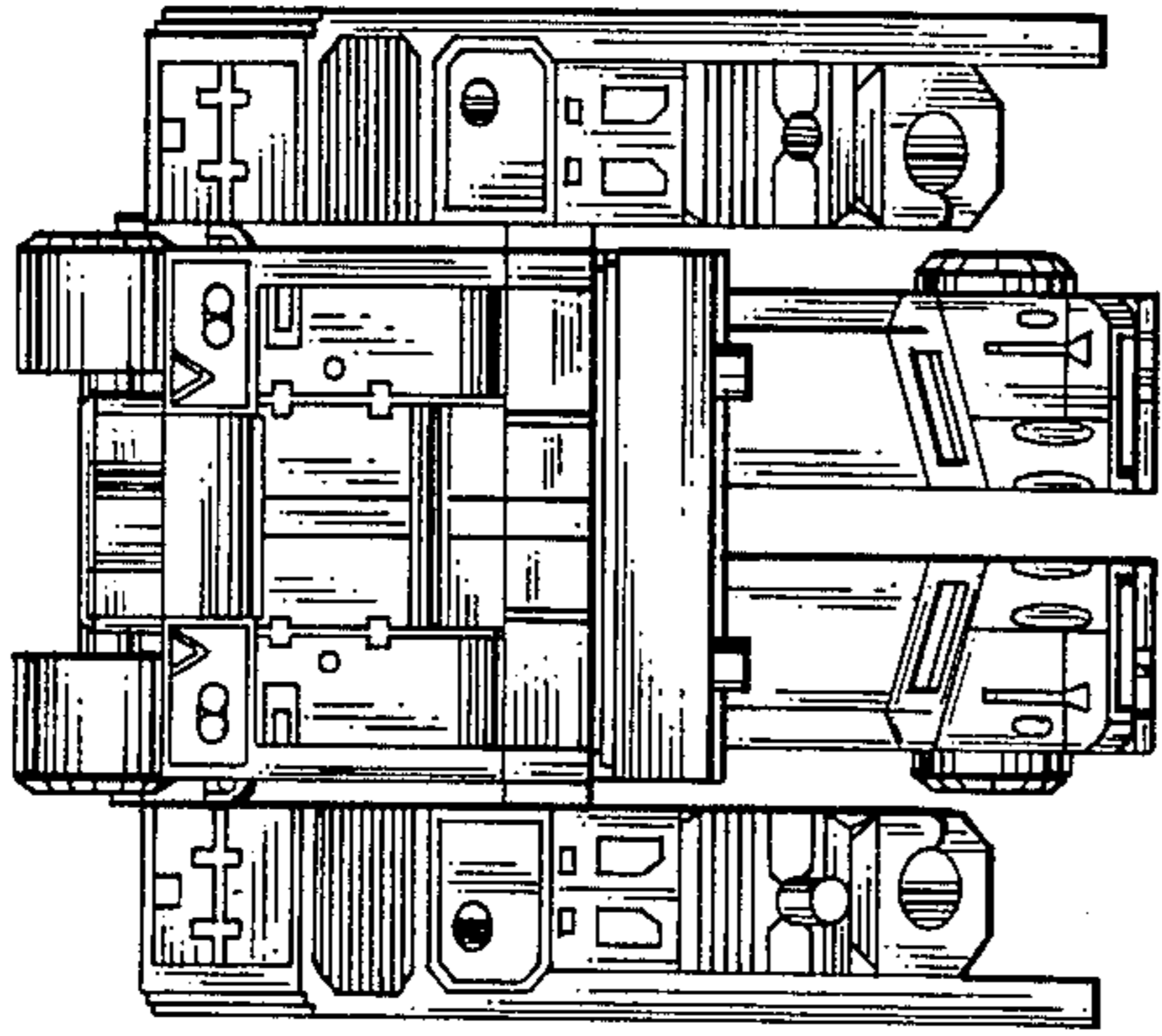


FIG. 11

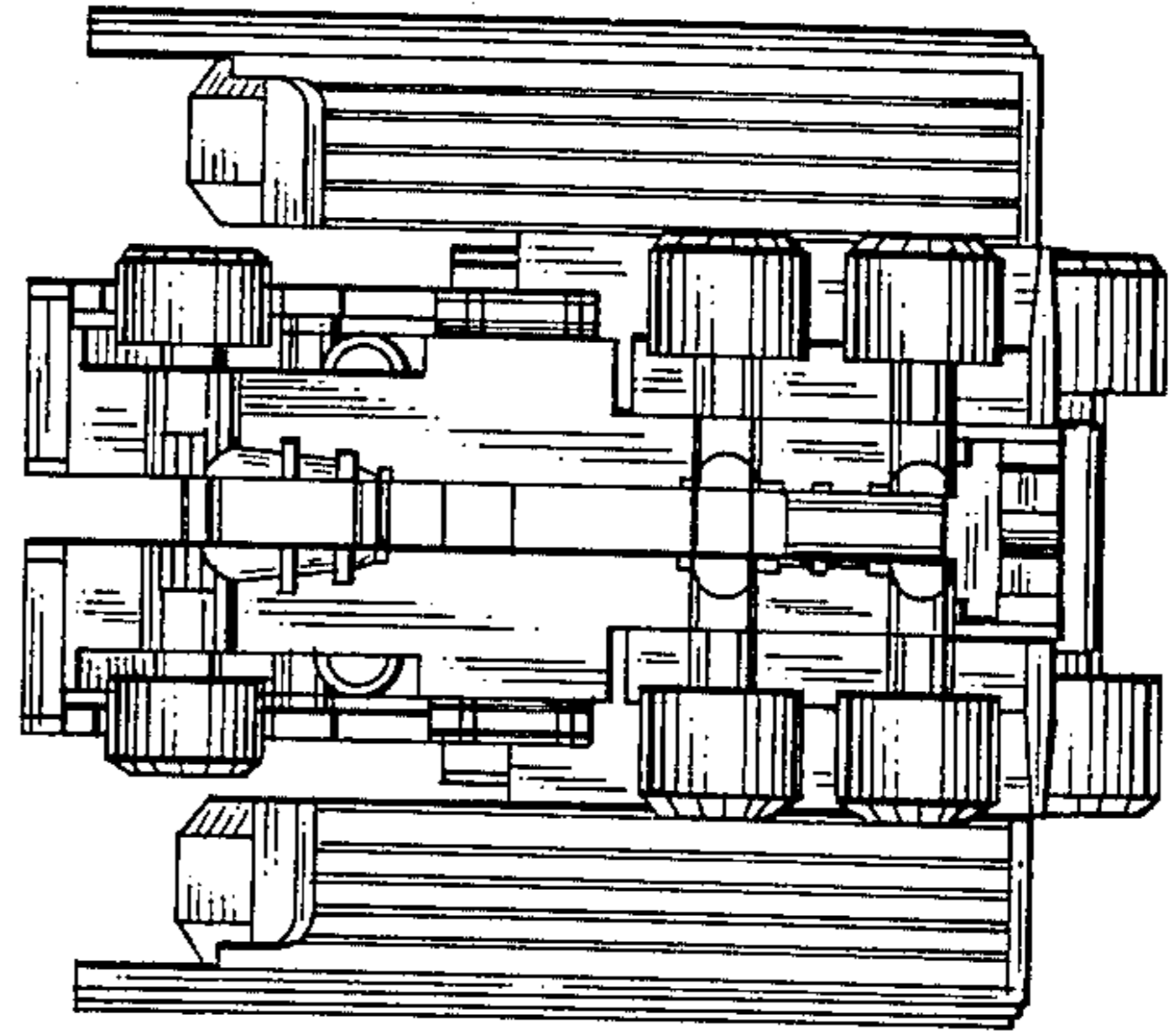


FIG. 12

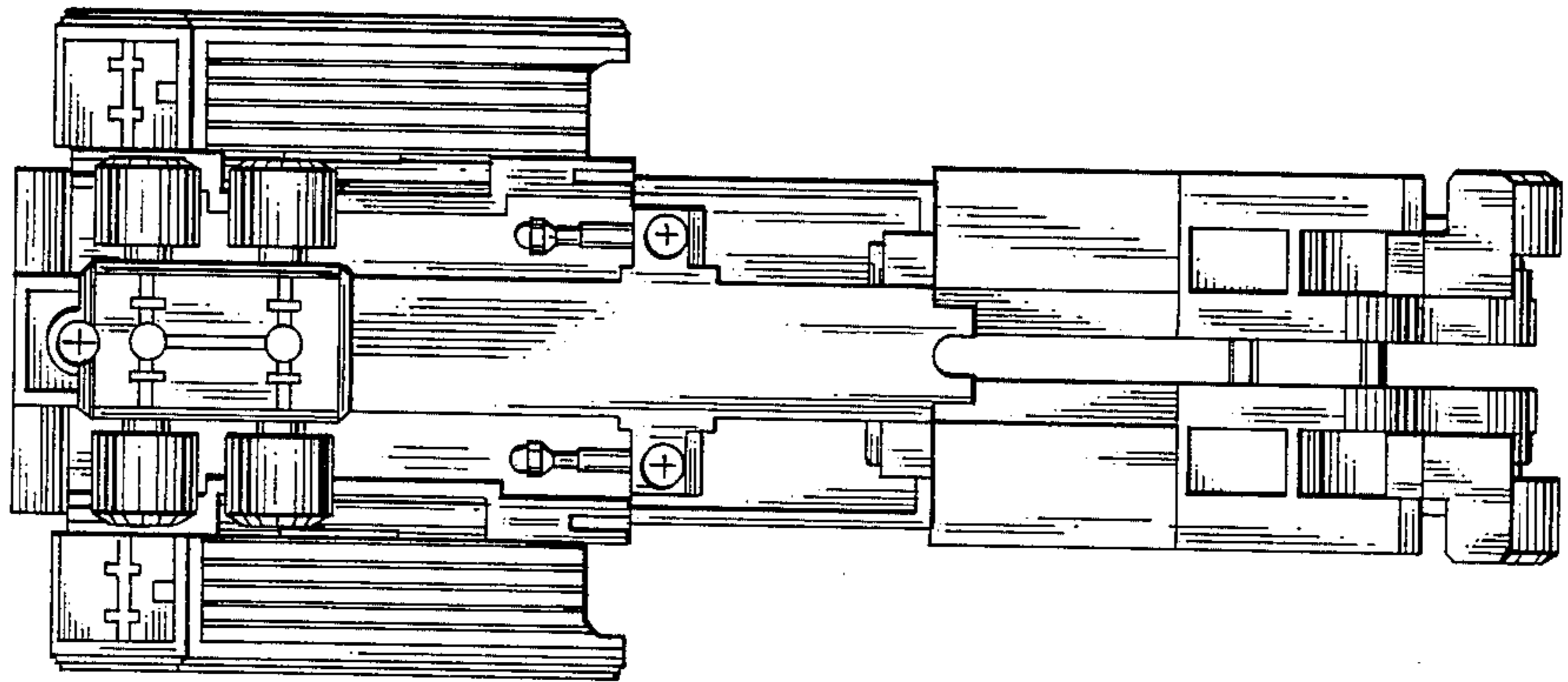


FIG. 10