

[54] **RECONFIGURABLE TOY TRACTOR**
[75] **Inventor: Hideaki Yoke, Tokyo, Japan**
[73] **Assignee: Takara Co., Ltd., Tokyo, Japan**
[**] **Term: 14 Years**
[21] **Appl. No.: 817,827**
[22] **Filed: Jan. 10, 1986**

[30] **Foreign Application Priority Data**
Oct. 4, 1985 [JP] Japan 60-41662
[52] **U.S. Cl. D21/134; D21/150;
D21/166**
[58] **Field of Search D21/59, 150, 134, 128,
D21/166; D12/13, 95, 96, 93; 446/71, 72, 77,
76, 94, 97, 383, 381, 487**

[56] **References Cited**
U.S. PATENT DOCUMENTS
D. 193,330 8/1962 Rutman D12/96
D. 205,936 10/1966 Ornas et al. D12/96
D. 205,937 10/1966 Ornas et al. D12/96
D. 237,370 10/1975 Johnson D12/13
D. 288,577 3/1987 Ohno D21/150
4,516,948 5/1985 Ohara 446/97

Primary Examiner—Charles A. Rademaker
Attorney, Agent, or Firm—Price, Gess & Ubell

[57] **CLAIM**

The ornamental design for a reconfigurable toy tractor, substantially as shown and described.

DESCRIPTION

FIG. 1 is a front perspective view of a reconfigurable toy tractor showing my new design;
FIG. 2 is a front elevational view thereof;
FIG. 3 is a right side elevational view thereof, the side opposite being substantially a mirror image;
FIG. 4 is a rear elevational view thereof;
FIG. 5 is a top plan view thereof;
FIG. 6 is a bottom plan view thereof;
FIG. 7 is a front perspective view of the design shown in FIGS. 1 through 6 reconfigured into a robotic humanoid configuration;
FIG. 8 is a front elevational view thereof;
FIG. 9 is a right side elevational view thereof, the side opposite being substantially a mirror image;
FIG. 10 is a rear elevational view thereof;
FIG. 11 is a top plan view thereof; and
FIG. 12 is a bottom plan view thereof.

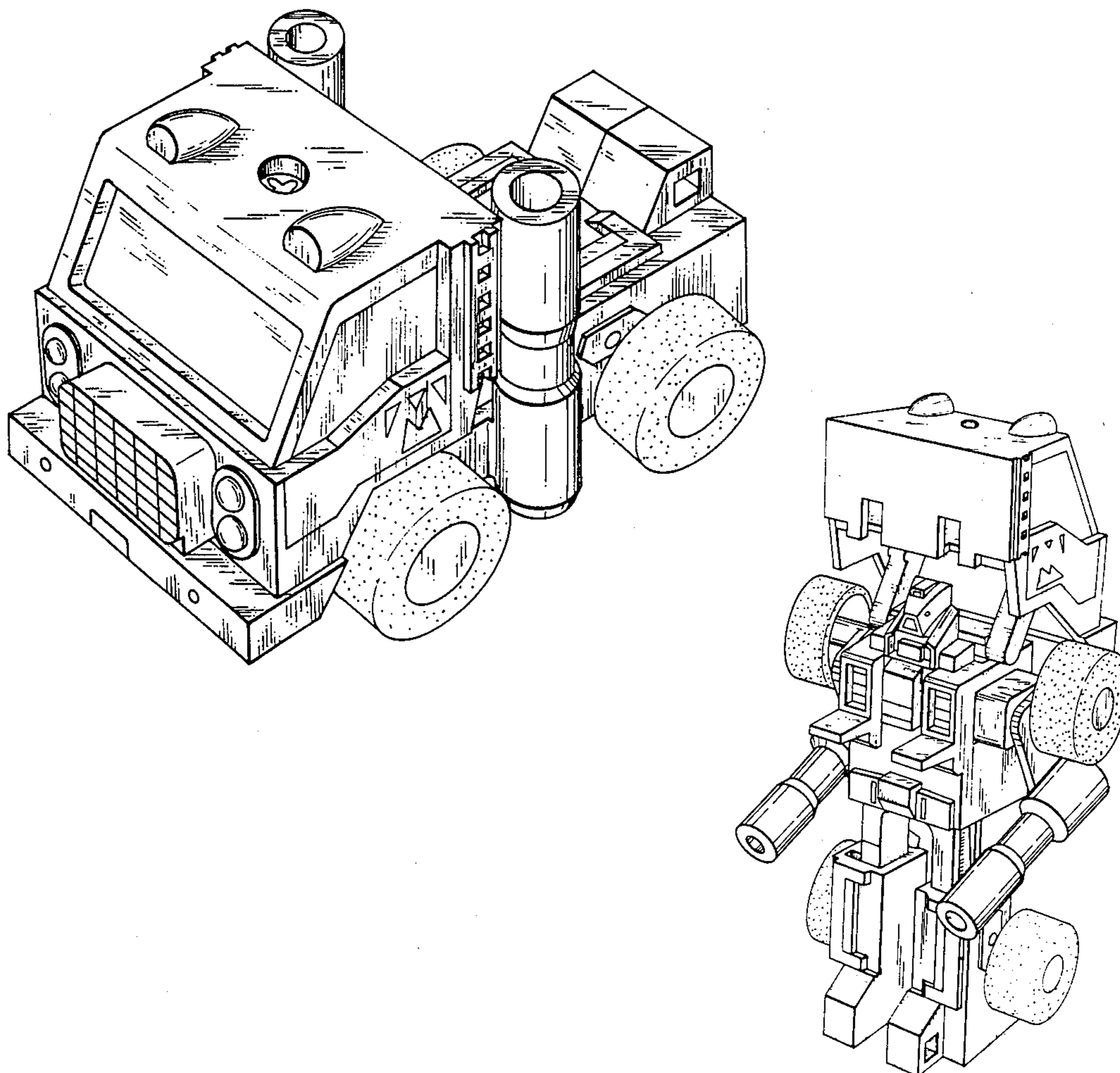


FIG. 1

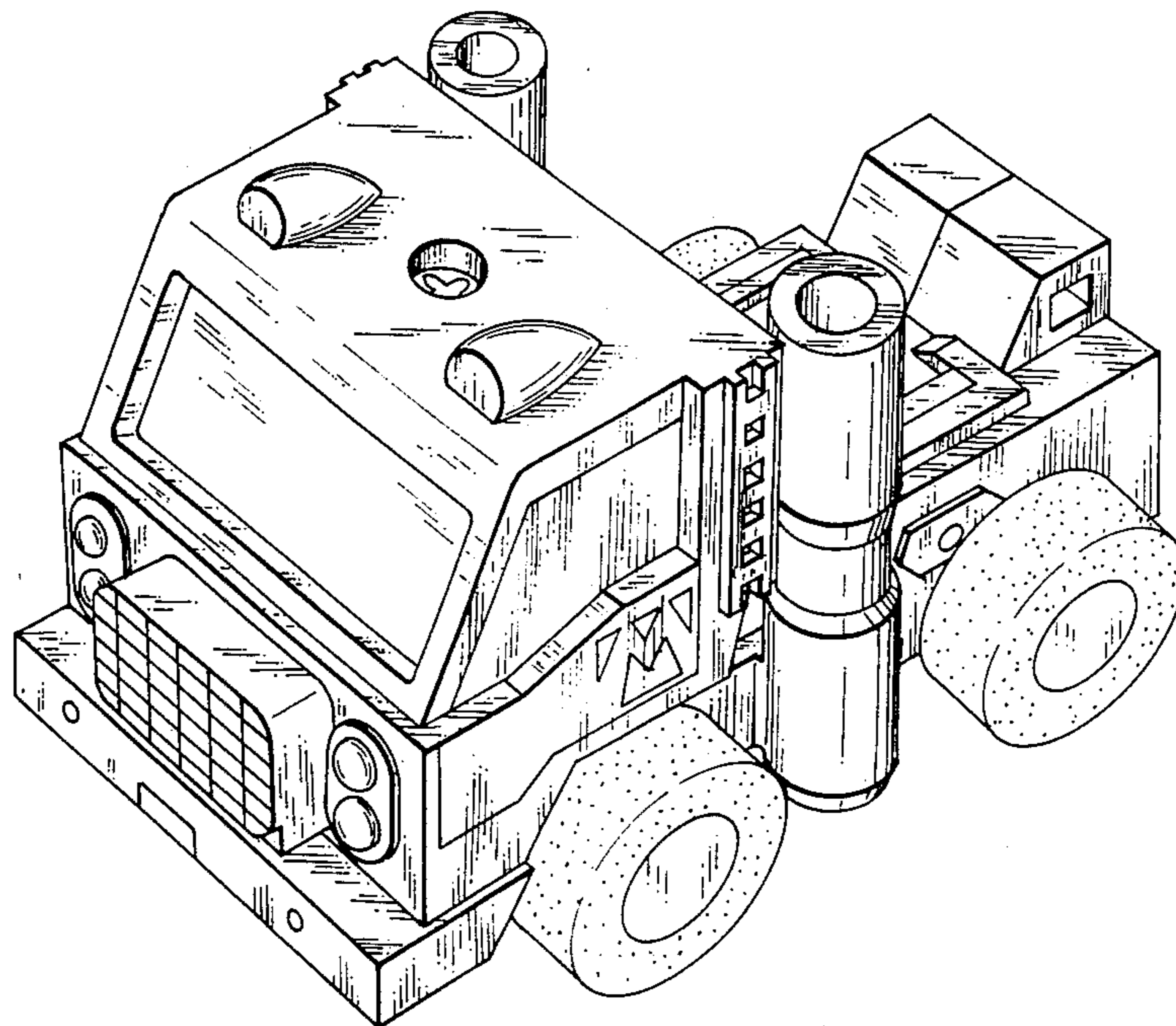


FIG. 2

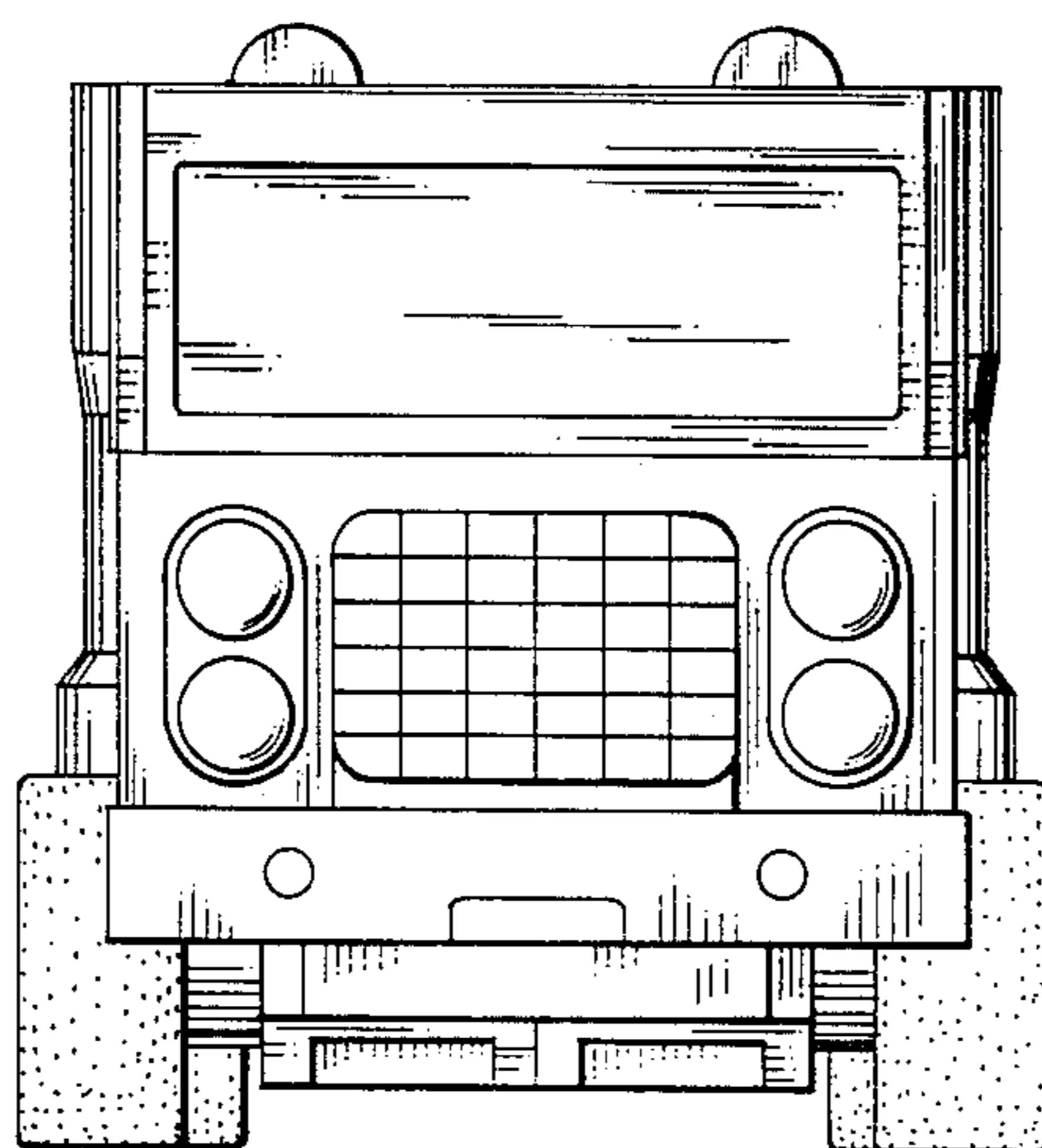


FIG. 3

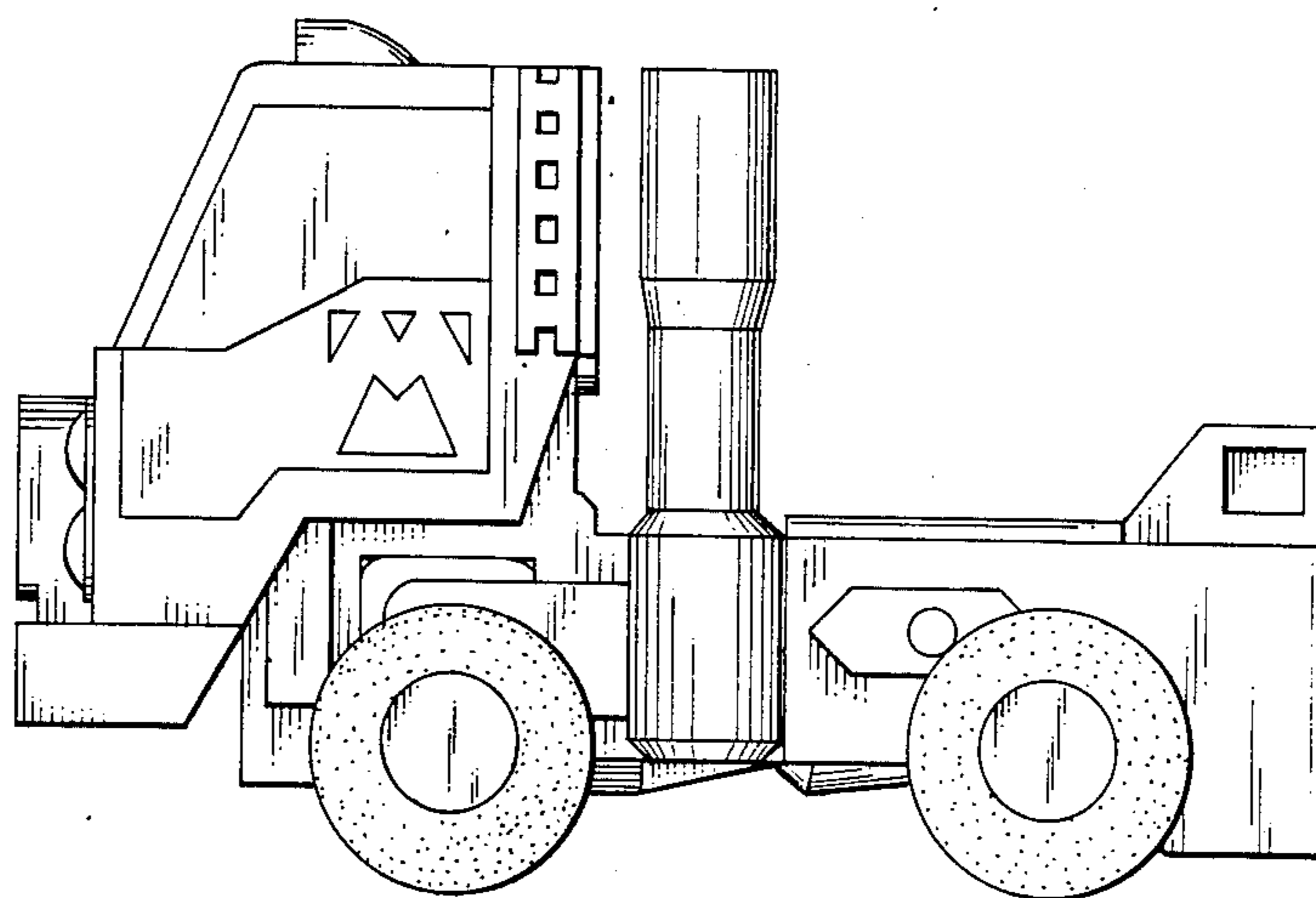


FIG. 4

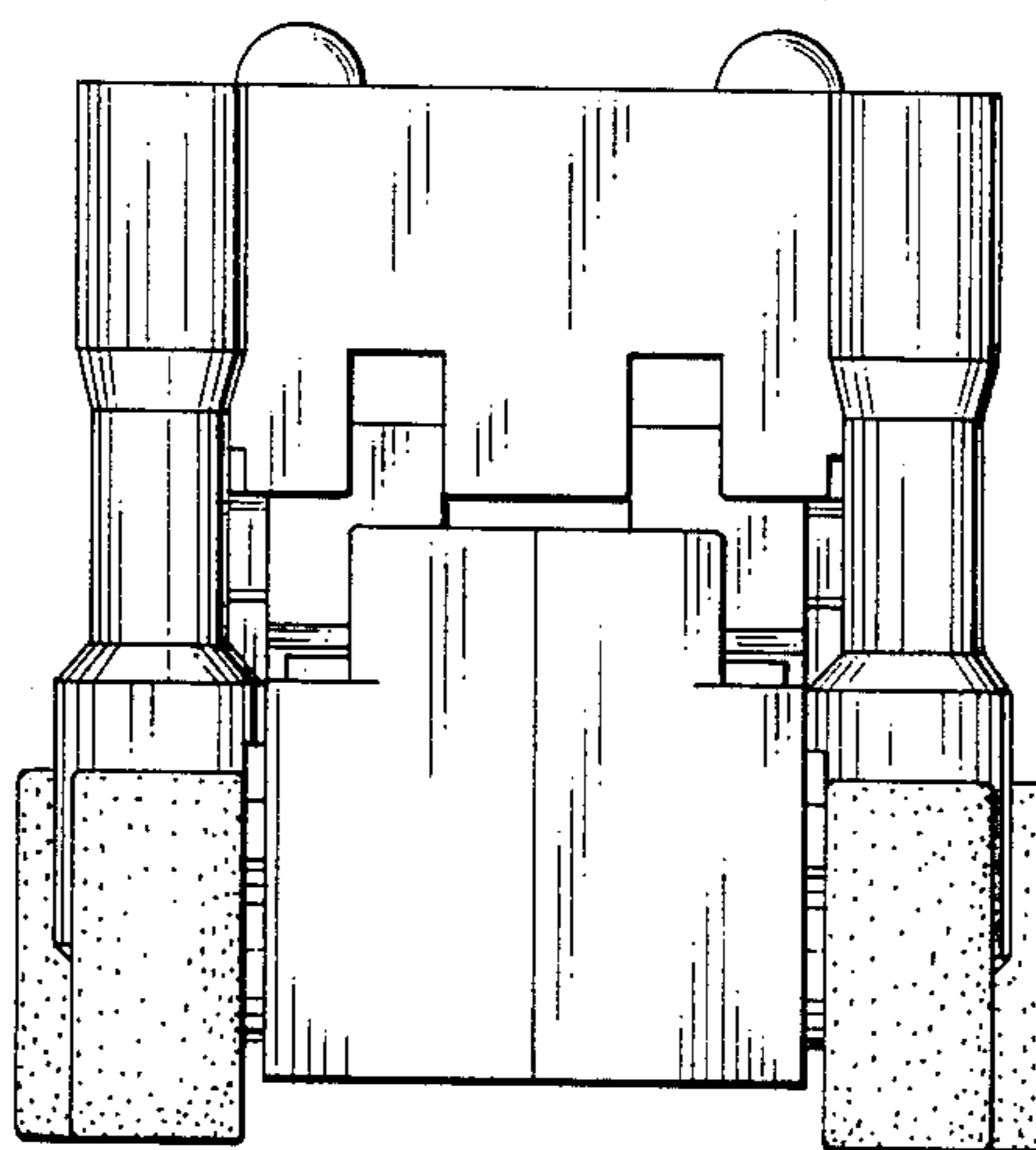


FIG. 6

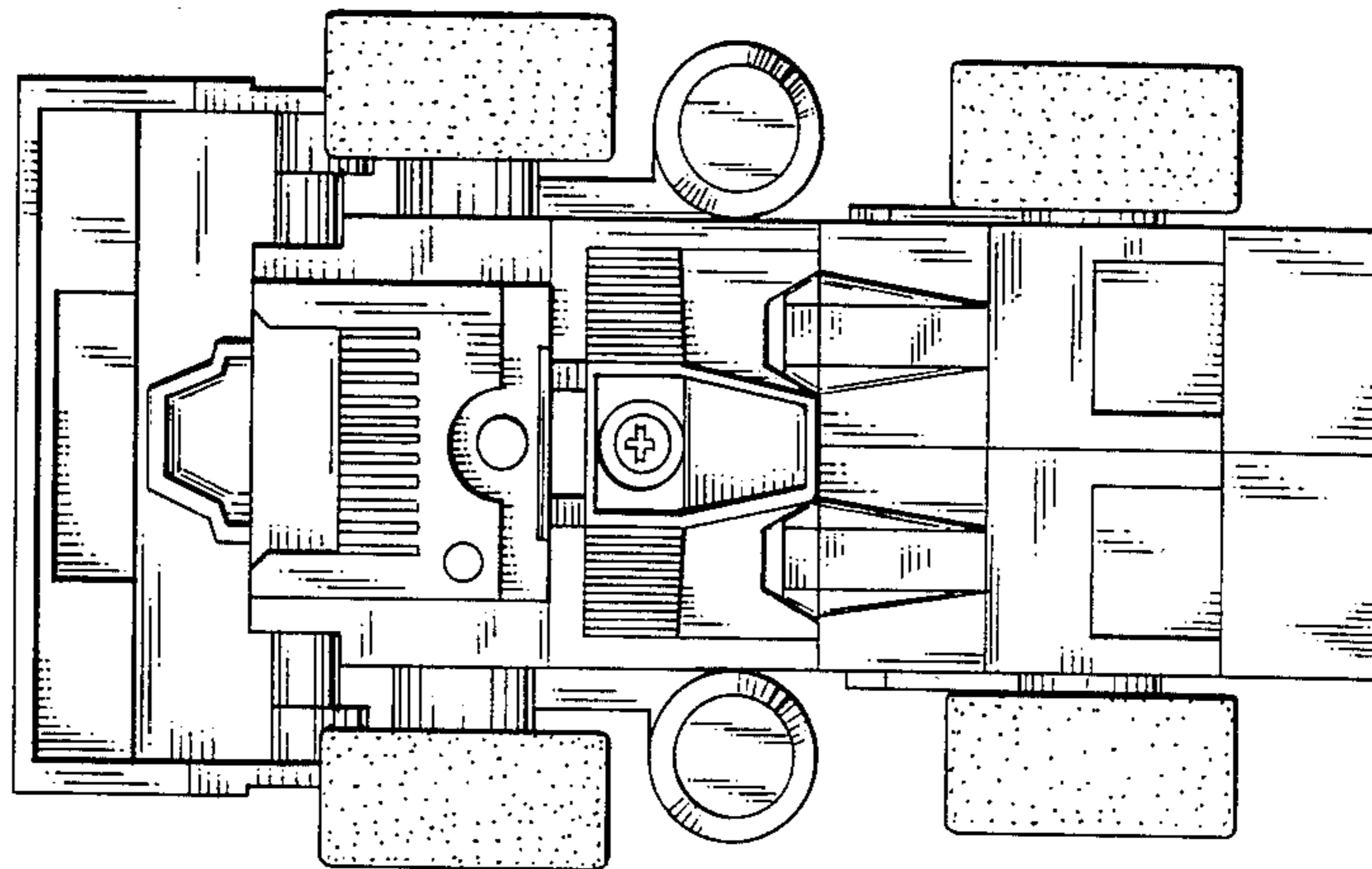


FIG. 5

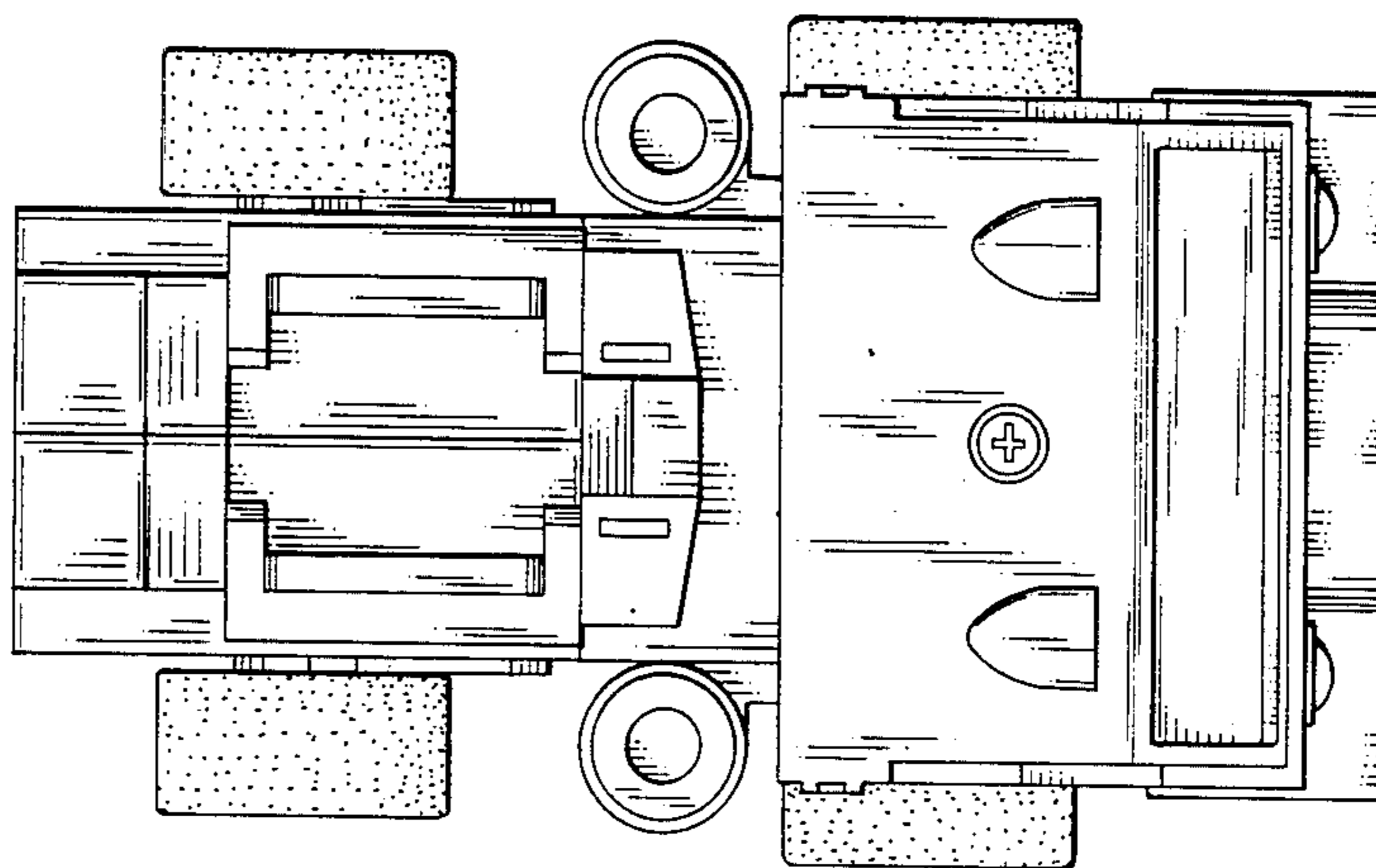


FIG. 9

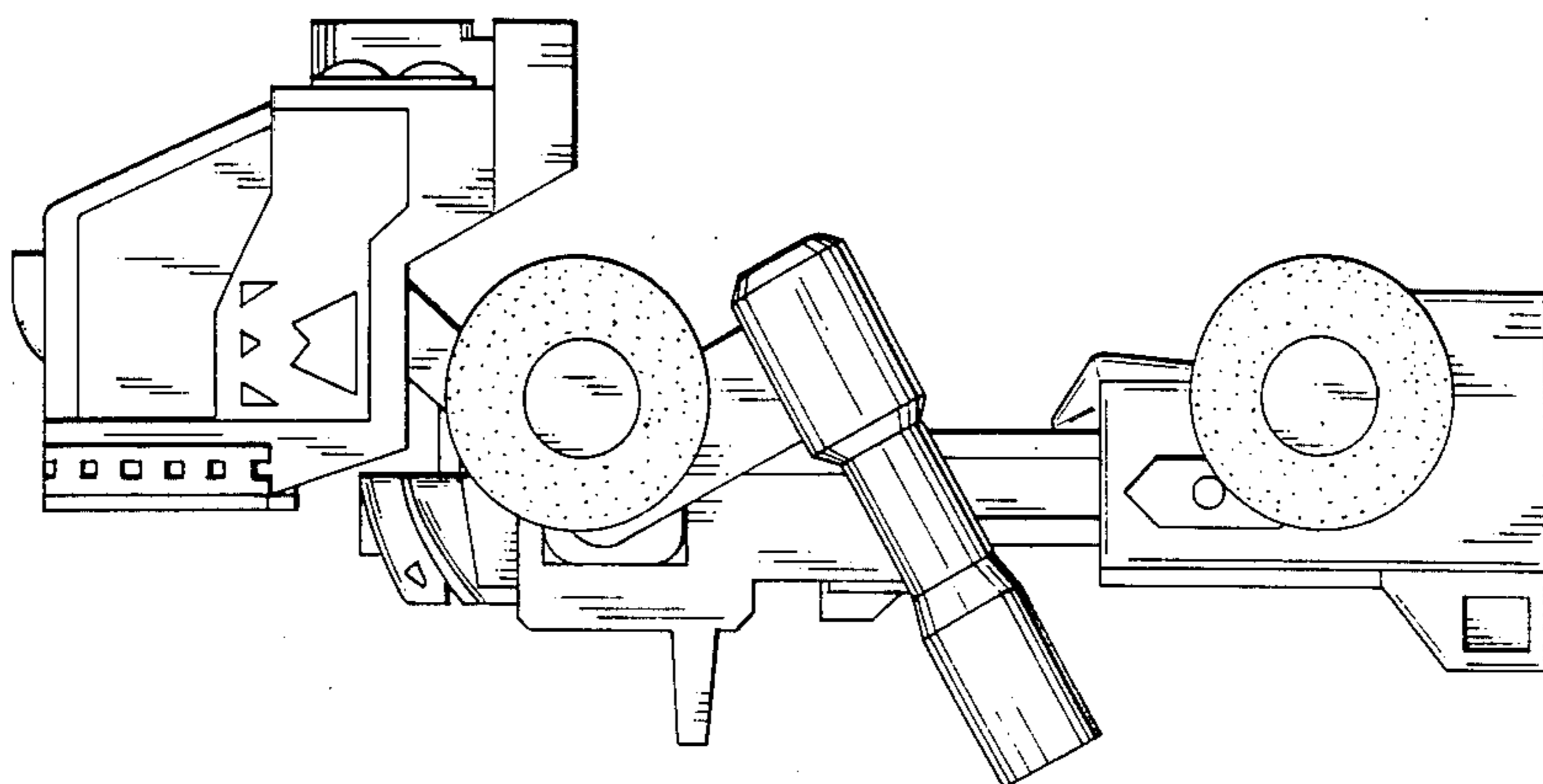


FIG. 8

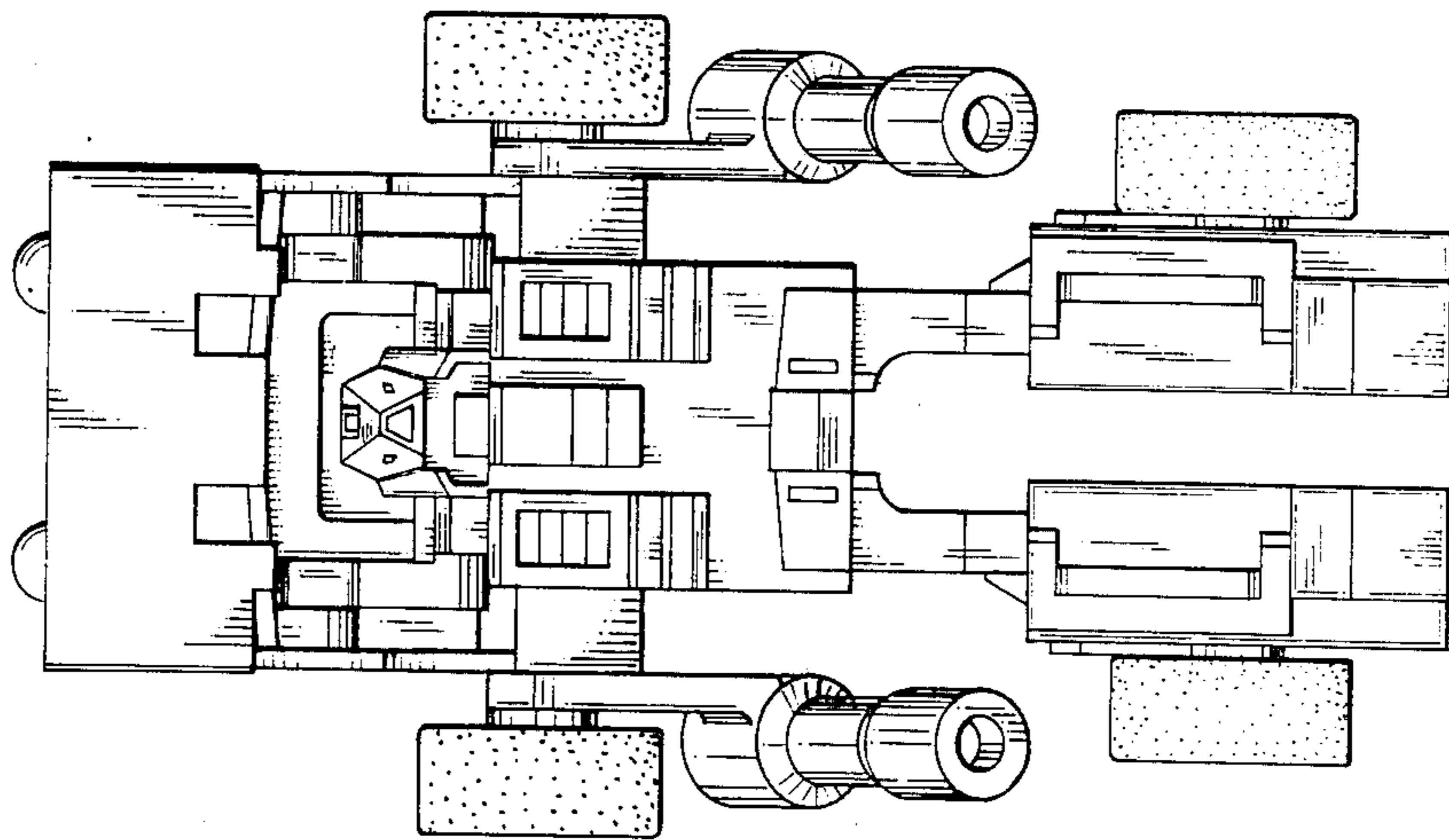


FIG. 7

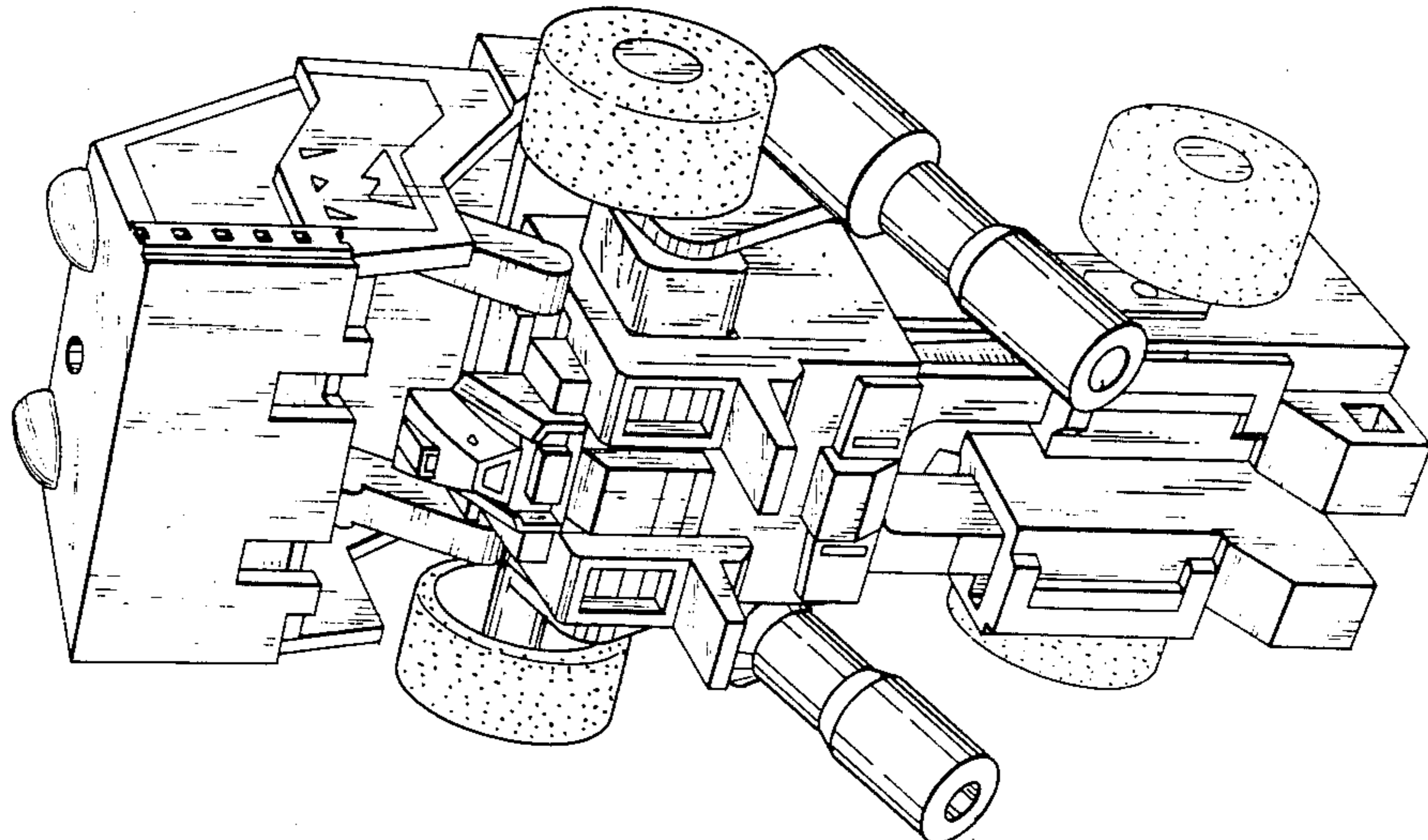


FIG.10

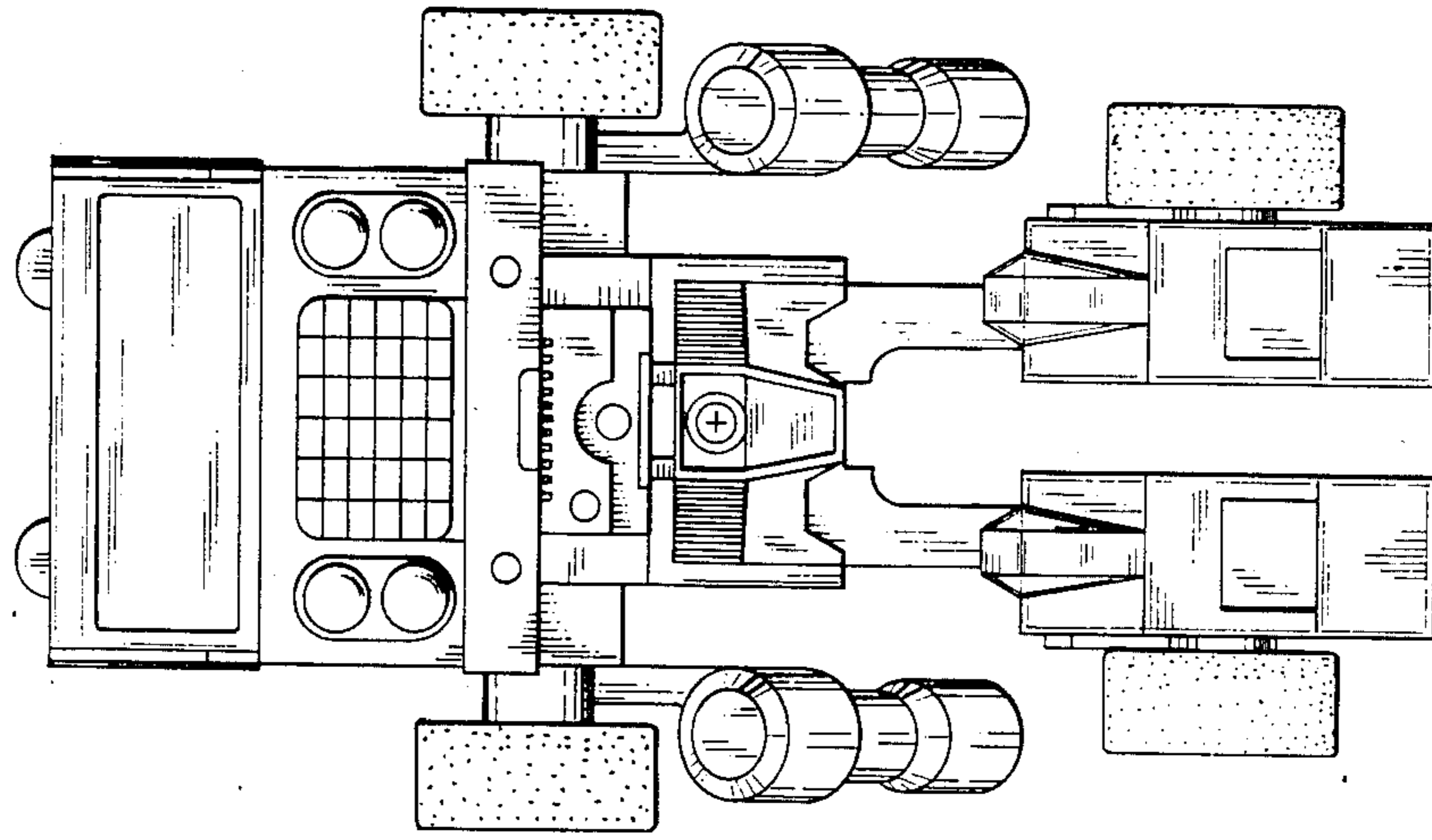


FIG.11

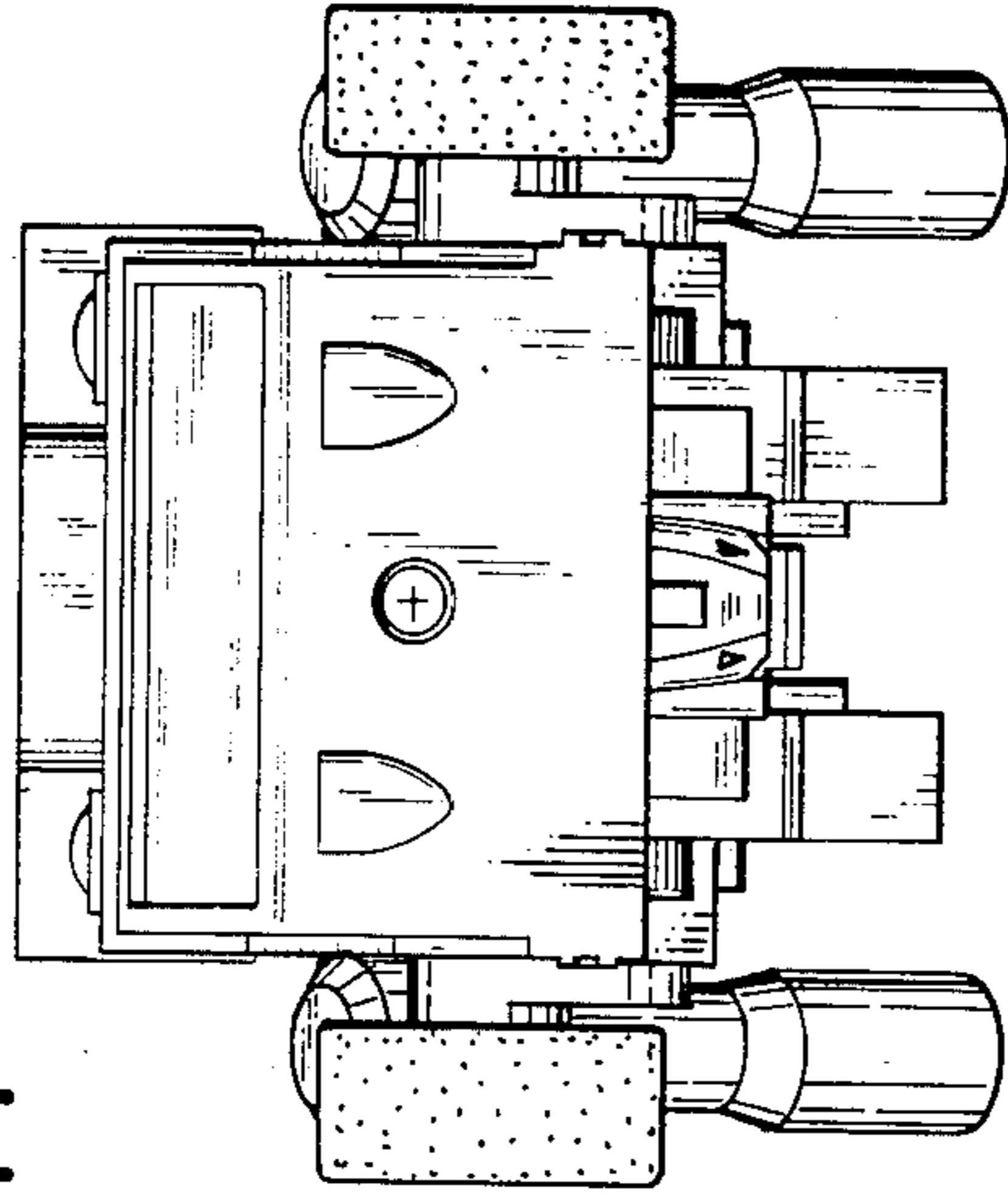


FIG.12

