

[54] RECONFIGURABLE TOY LADDER TRUCK

[75] Inventor: Kaoru Matsumoto, Tokyo, Japan

[73] Assignee: Takara Co., Ltd., Tokyo, Japan

[**] Term: 14 Years

[21] Appl. No.: 806,785

[22] Filed: Dec. 9, 1985

[30] Foreign Application Priority Data

Oct. 24, 1985 [JP] Japan 60-44745

[52] U.S. Cl. D21/133; D21/150; D21/166

[58] Field of Search D21/128-140, D21/150, 166; 446/71, 72, 76, 77, 94, 383, 487; D12/13

[56] References Cited

U.S. PATENT DOCUMENTS

D. 175,097	7/1955	Troche et al.	D12/13
D. 253,185	10/1979	Rumsey	D21/128
D. 288,342	2/1987	Ohno	D21/150
D. 289,908	5/1987	Nagano	D21/150
3,493,053	2/1970	Triplett	D12/13

Primary Examiner—Charles A. Rademaker
Attorney, Agent, or Firm—Price, Gess & Ubell

[57] CLAIM

The ornamental design for a reconfigurable toy ladder truck, as shown and described.

DESCRIPTION

FIG. 1 is a front perspective view of a reconfigurable toy ladder truck showing my new design; FIG. 2 is a front elevational view thereof; FIG. 3 is a side elevational view thereof, the side opposite being substantially a mirror image; FIG. 4 is a rear elevational view thereof; FIG. 5 is a top plan view thereof; FIG. 6 is a bottom plan view thereof; FIG. 7 is a side perspective view of the design shown in a robotic humanoid configuration; FIG. 8 is a front elevational view thereof; FIG. 9 is a side elevational view thereof, the side opposite being substantially a mirror image; FIG. 10 is a rear elevational view thereof; FIG. 11 is a top plan view thereof; FIG. 12 is a bottom plan view thereof.

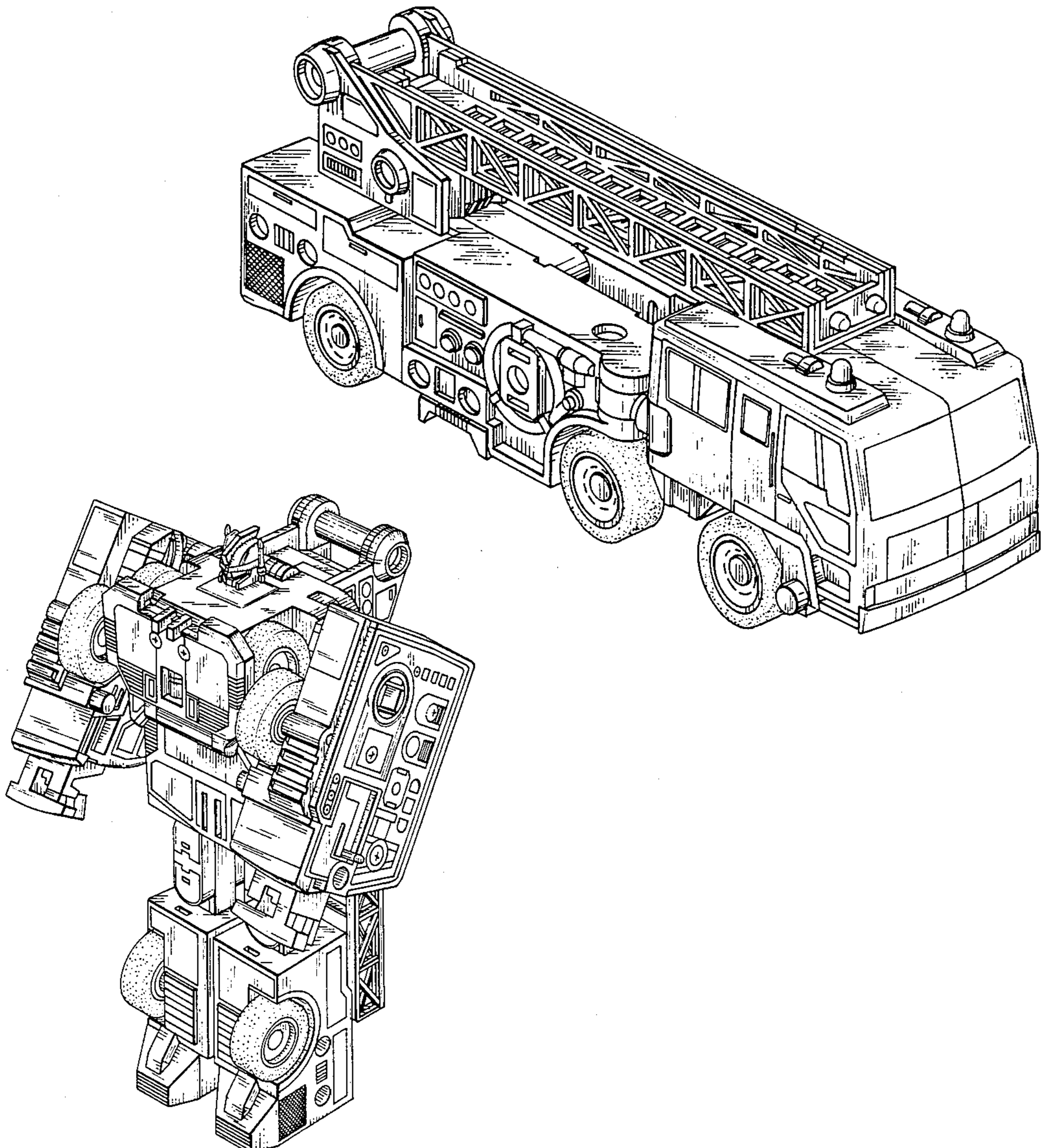


FIG. 1

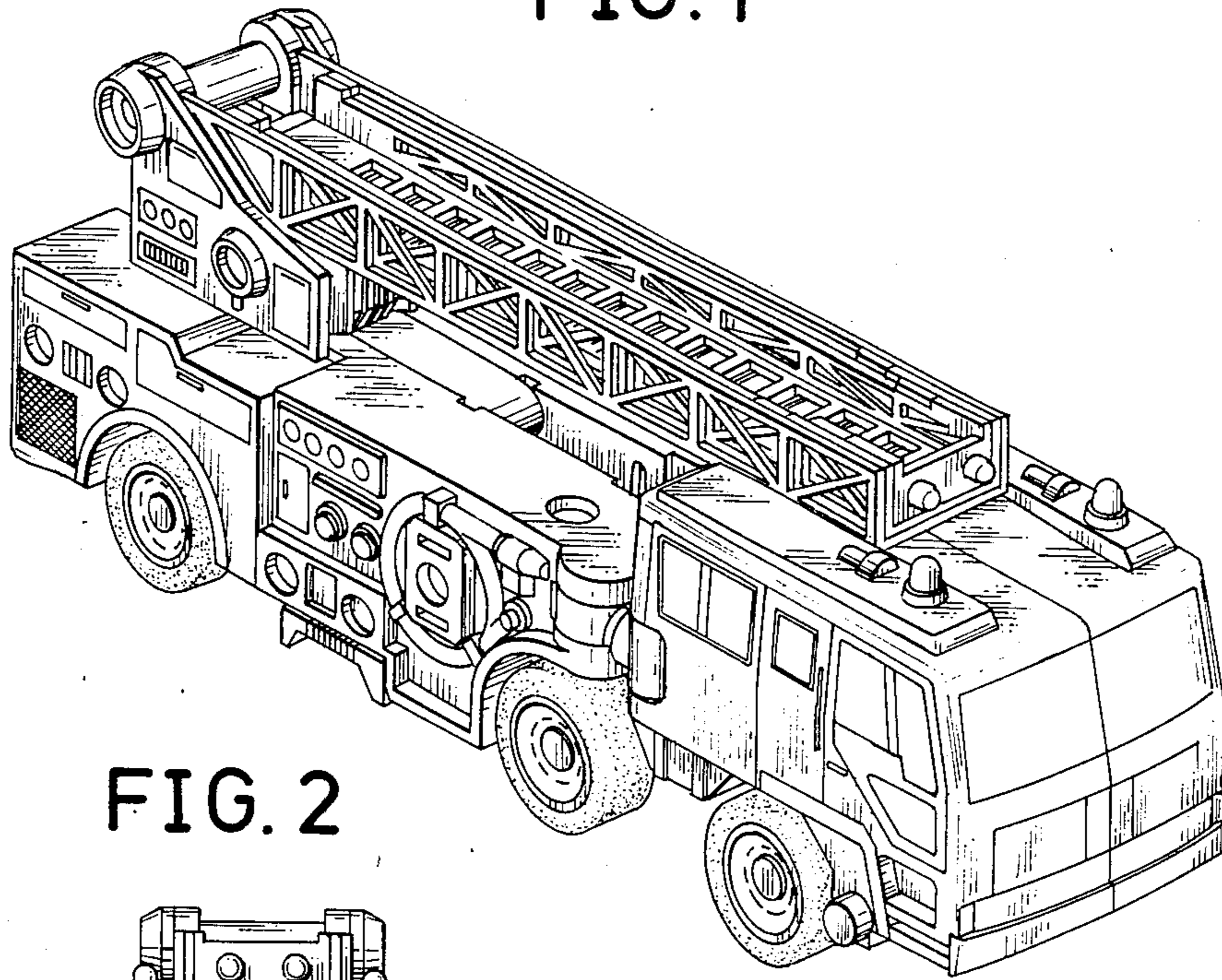


FIG. 2

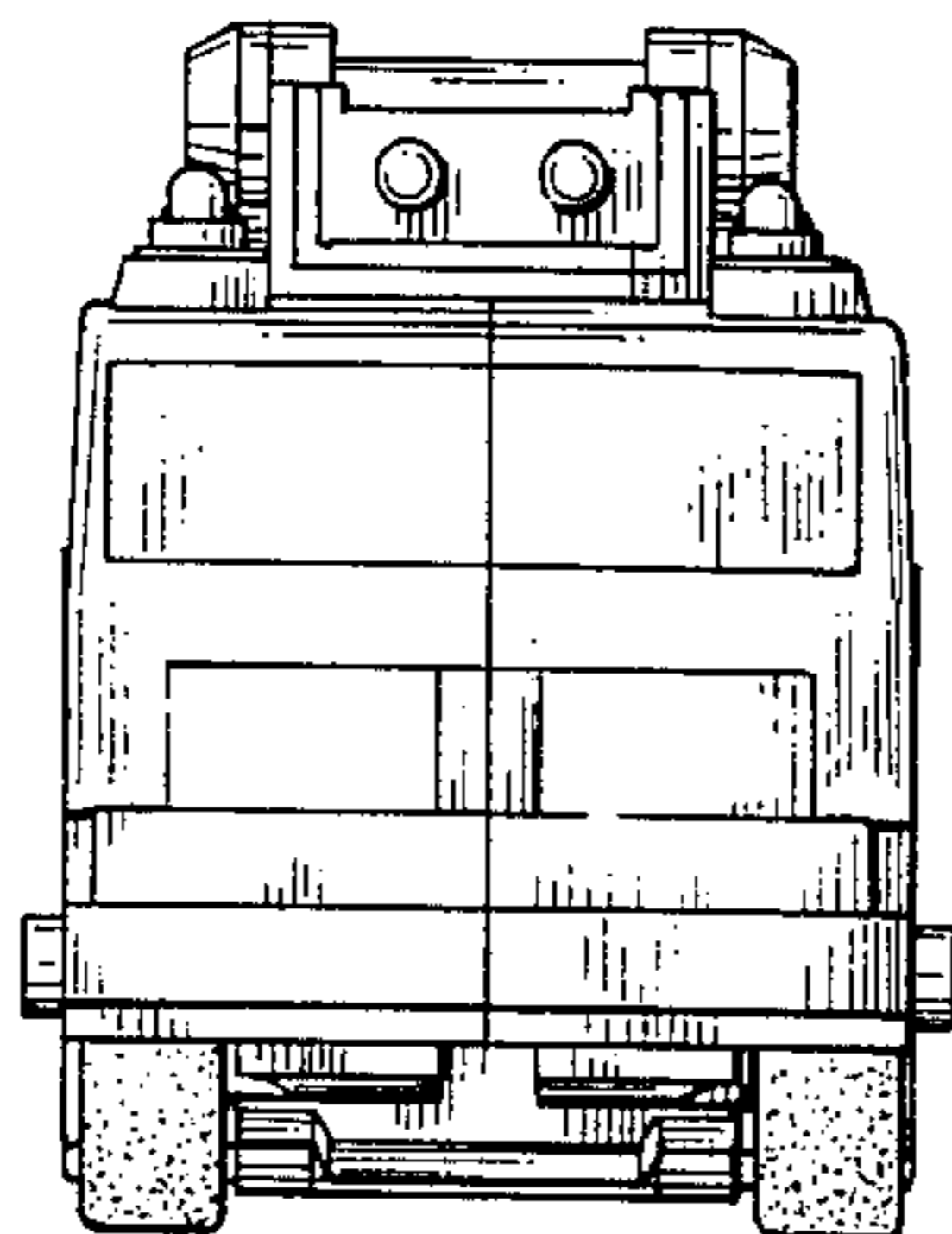


FIG. 3

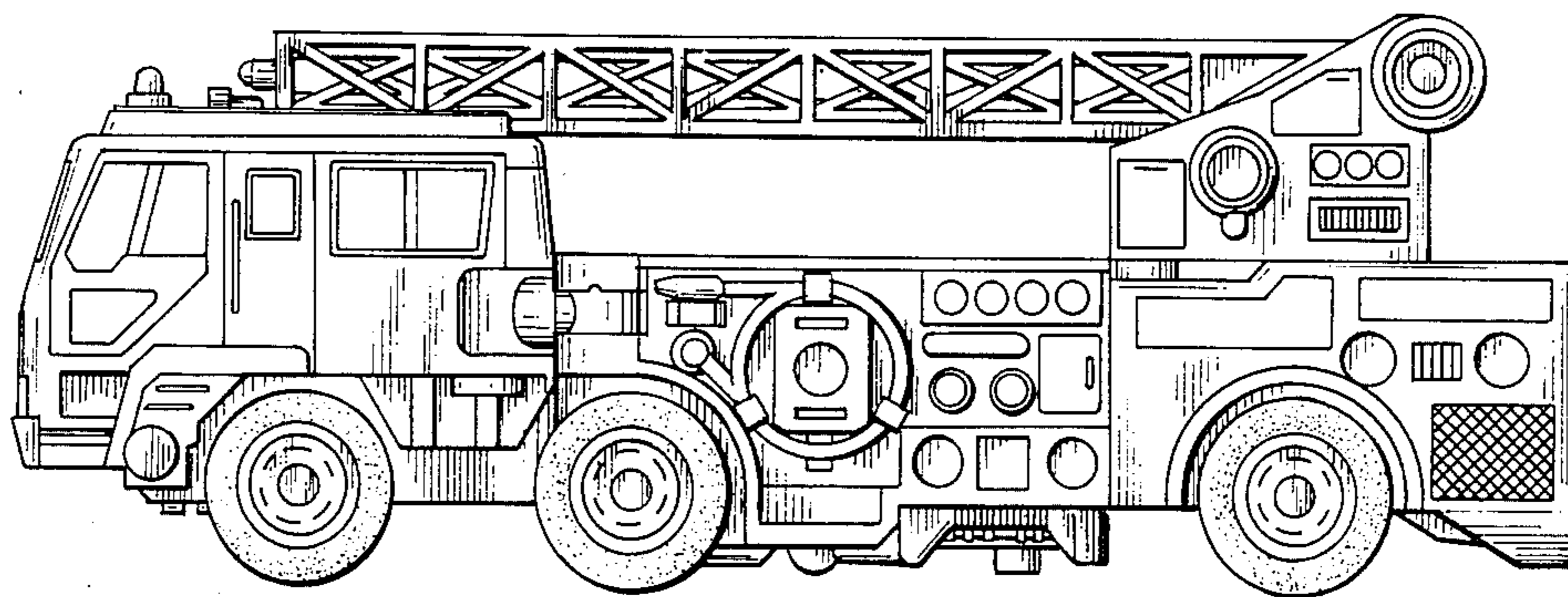


FIG. 4

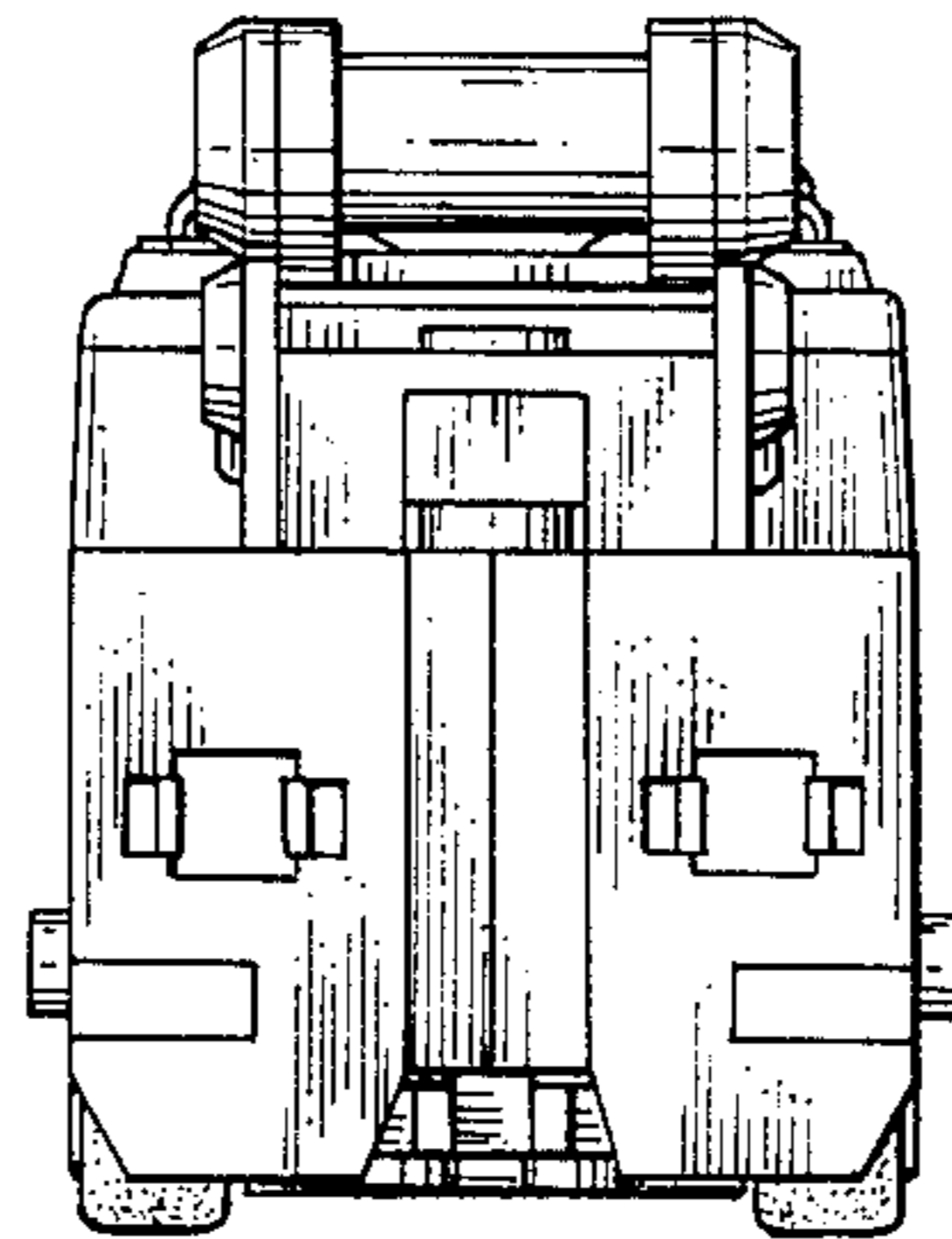


FIG. 5

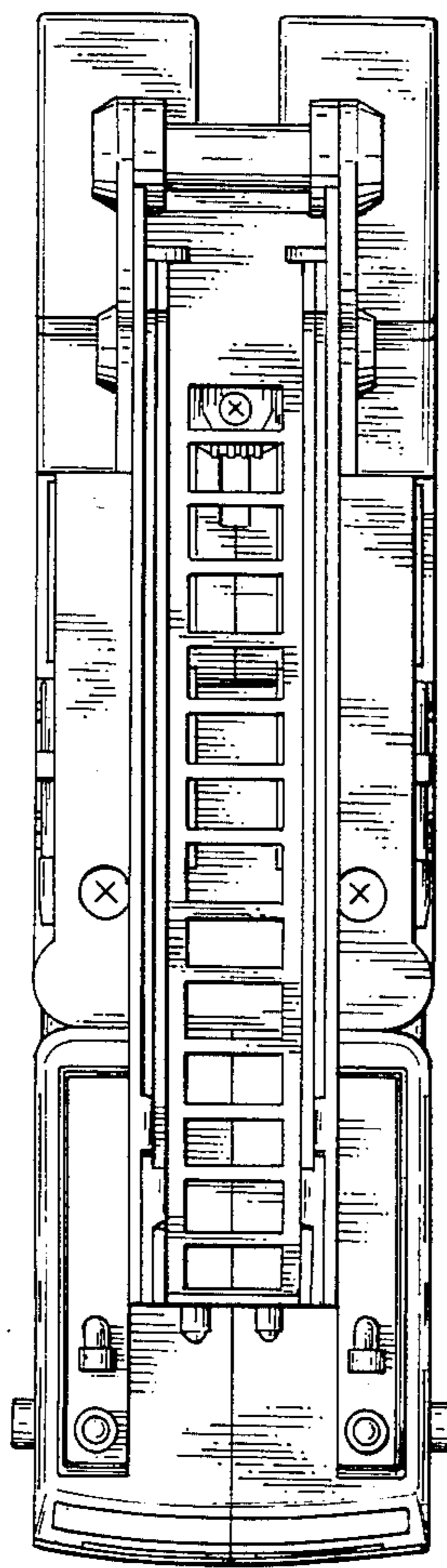


FIG. 6

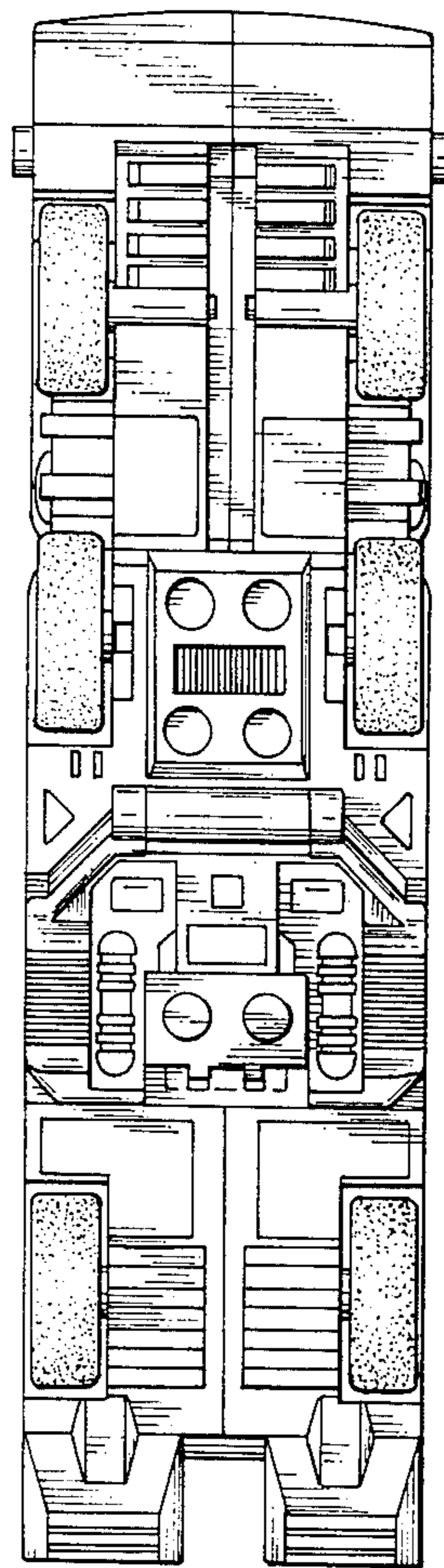


FIG. 7

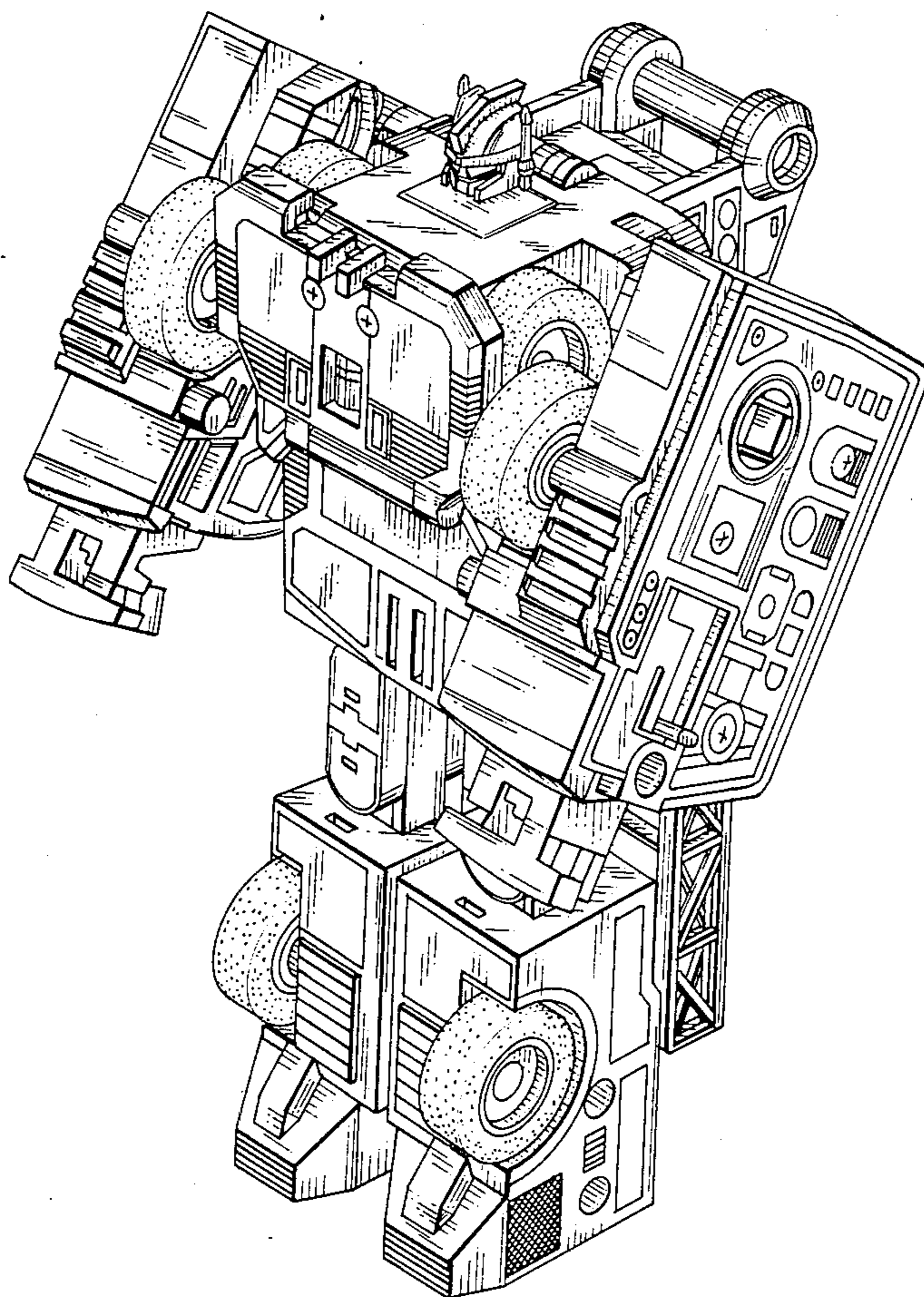


FIG. 9

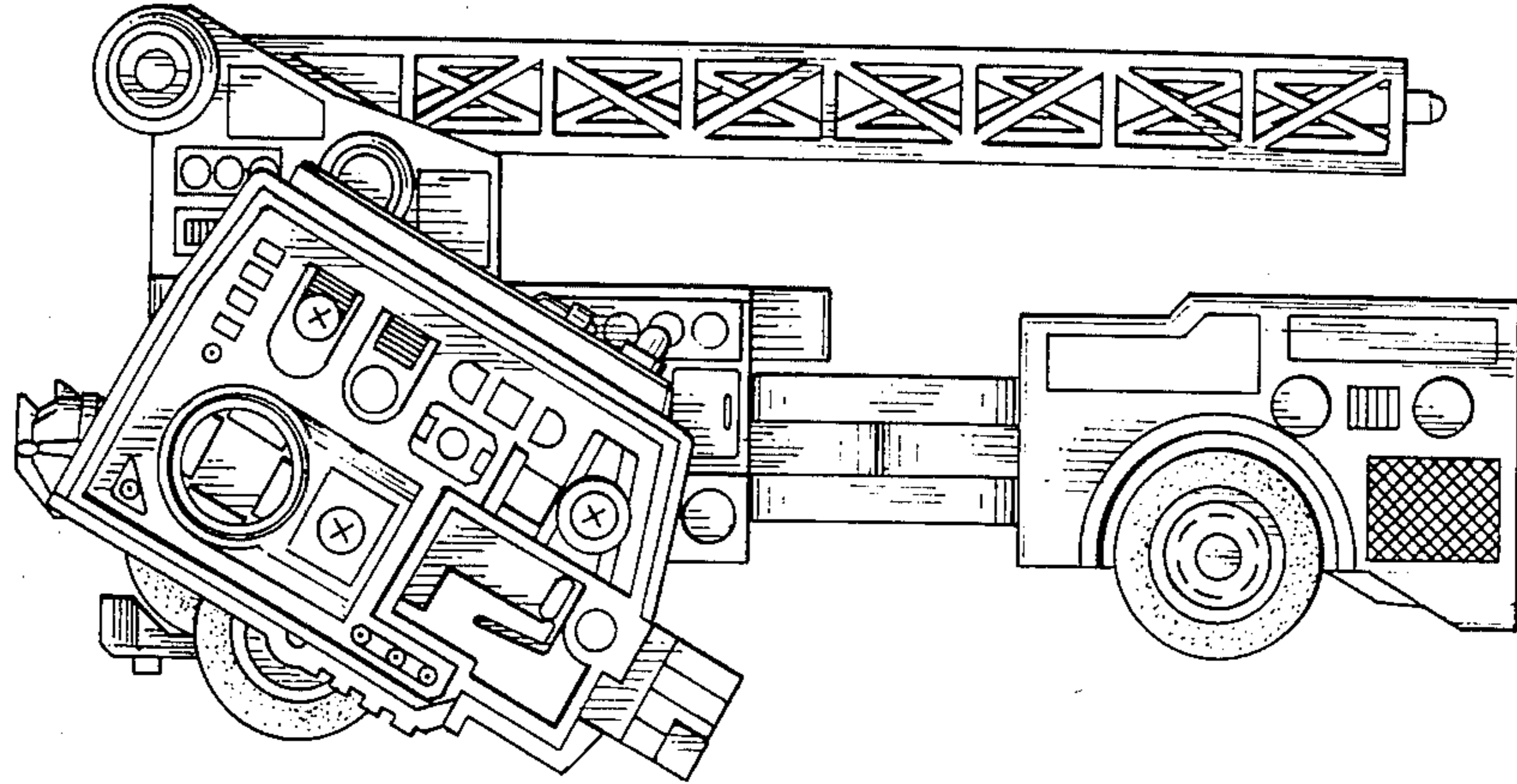
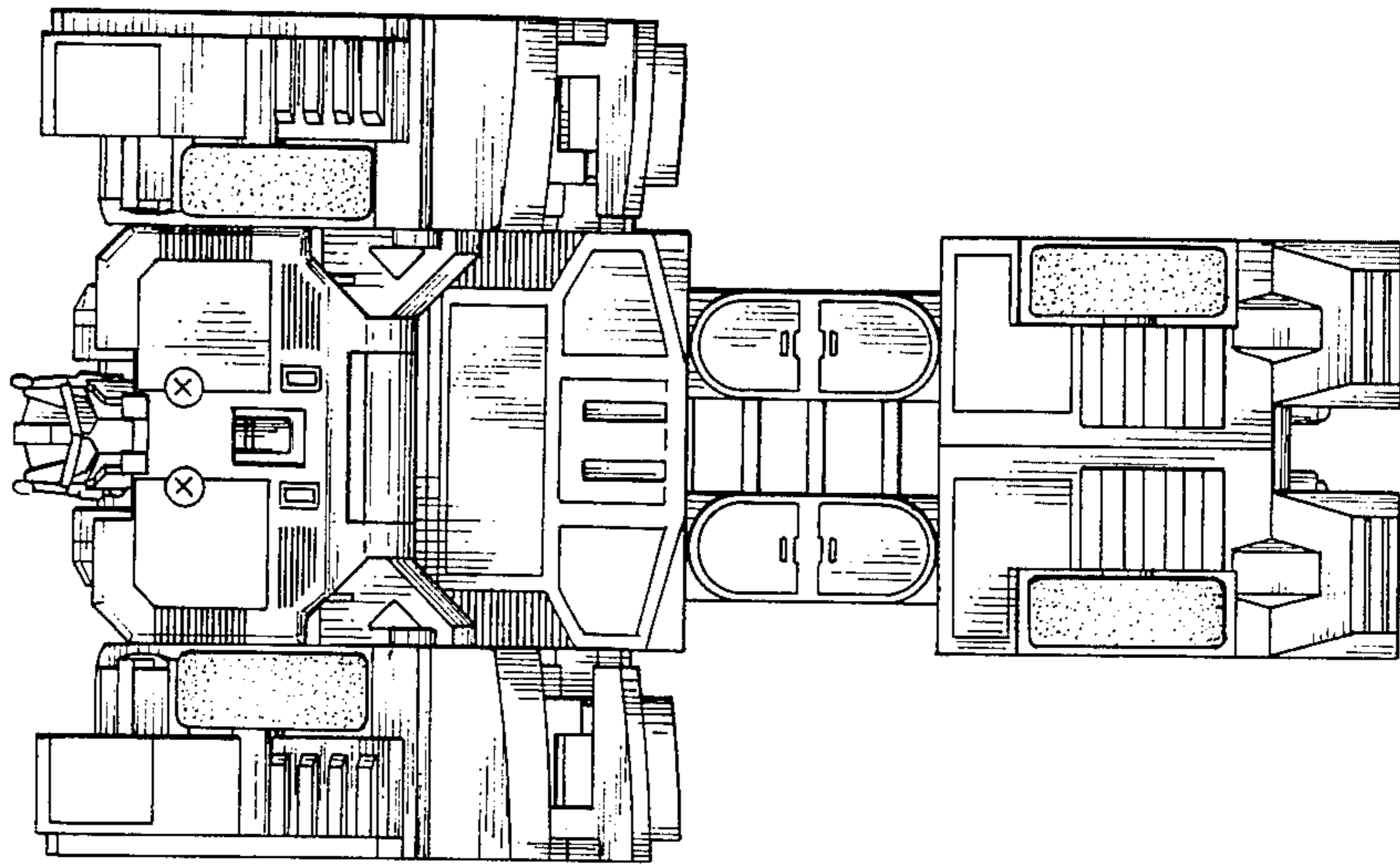


FIG. 8



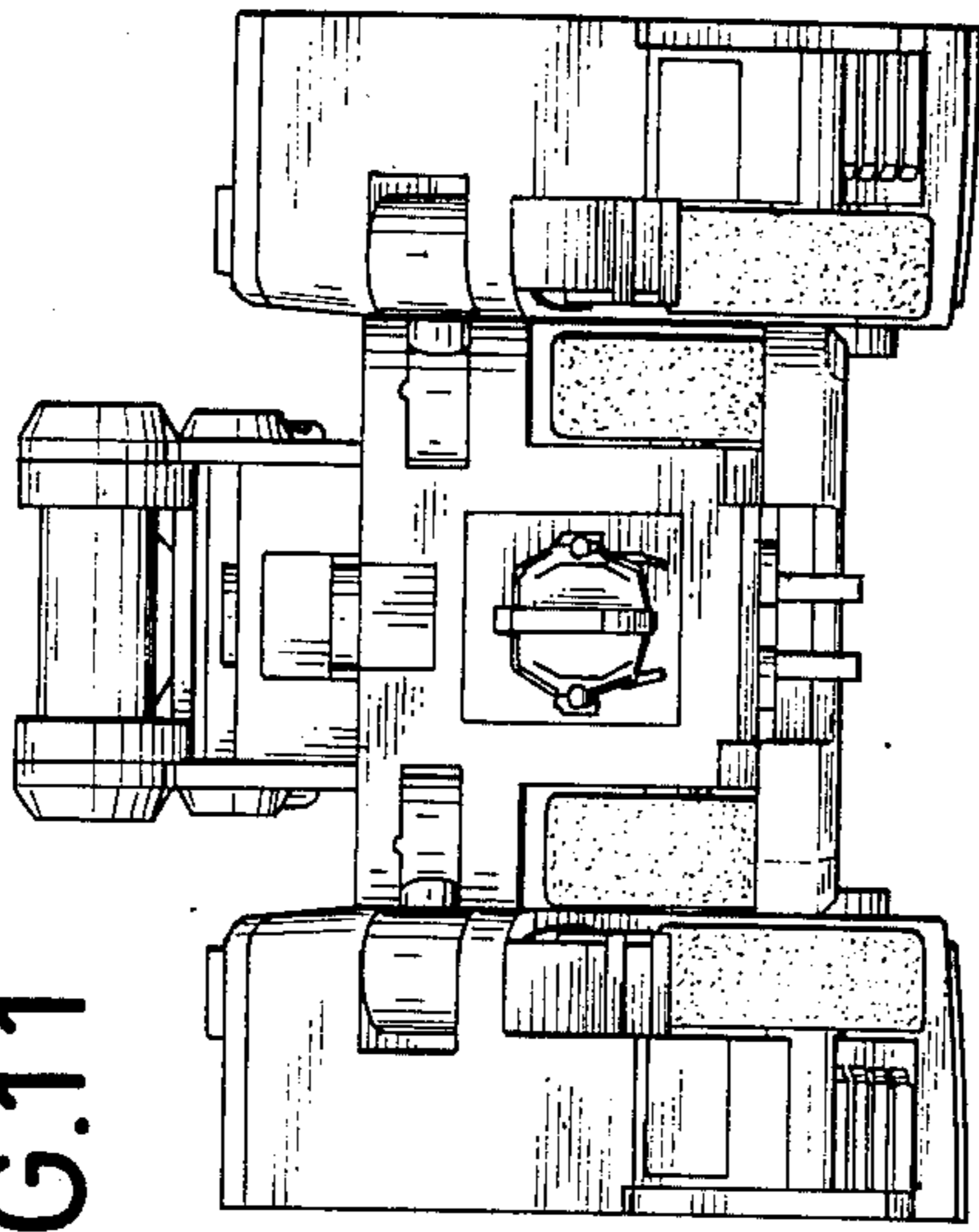


FIG. 11

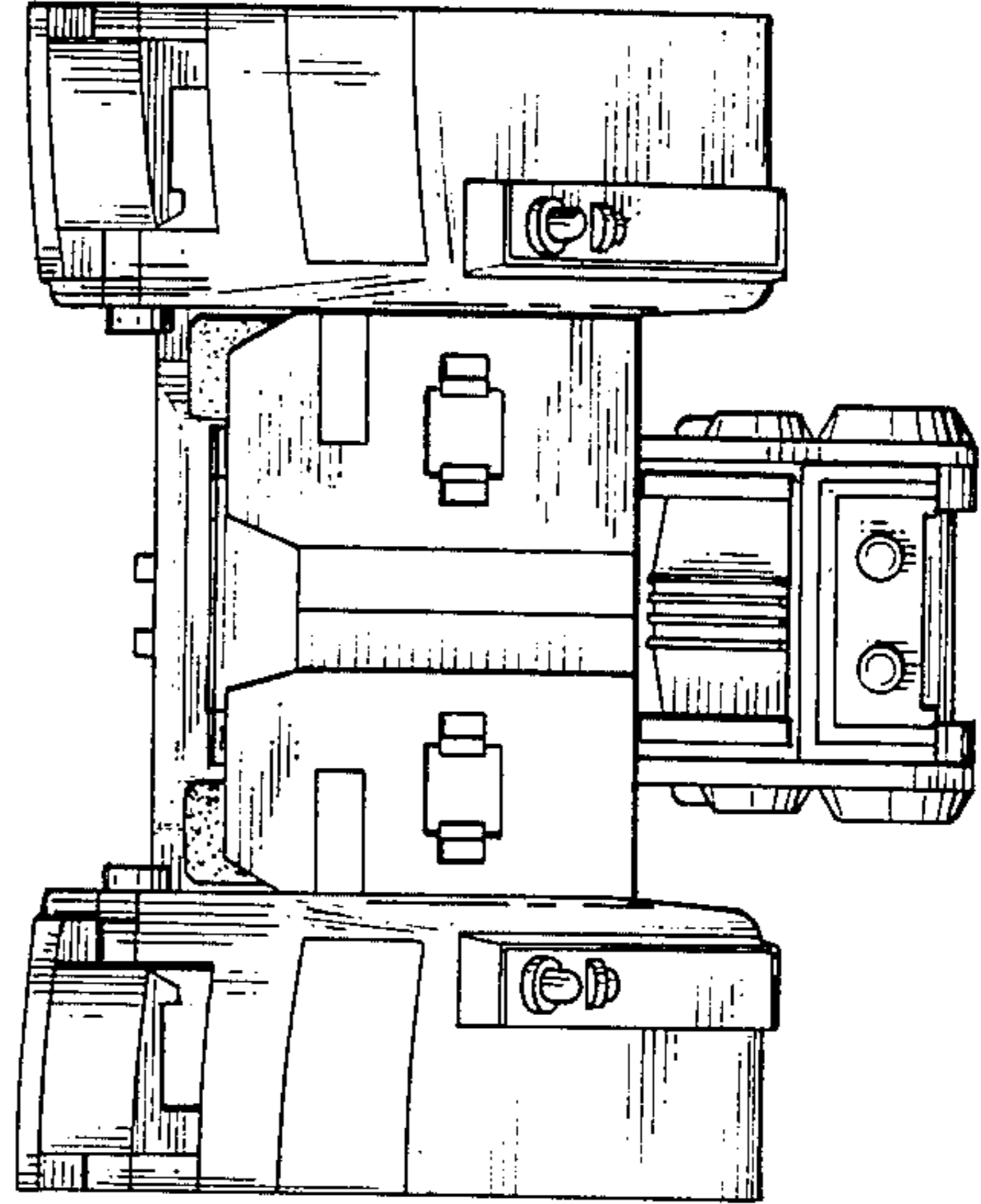


FIG. 12

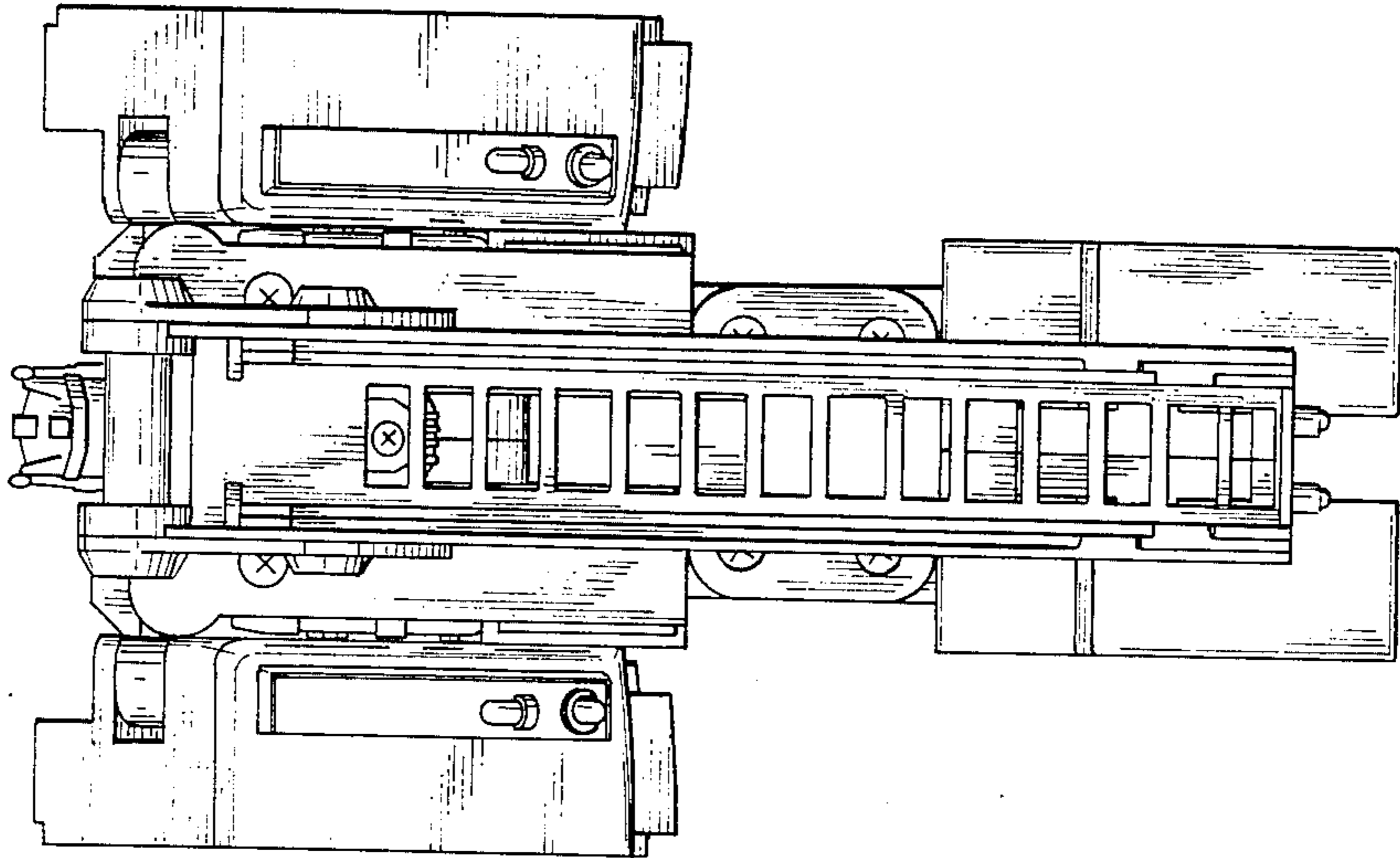


FIG. 10