

[54] **TOY VEHICLE**
[76] **Inventor: Jesse E. Bohannan, Gail Rte., Box 102, Big Spring, Tex. 79720**
[**] **Term: 14 Years**
[21] **Appl. No.: 884,262**
[22] **Filed: Jul. 10, 1986**
[52] **U.S. Cl. D21/81**
[58] **Field of Search D21/71-81; 280/87.01, 87.02 R, 87.02 W, 218, 265**

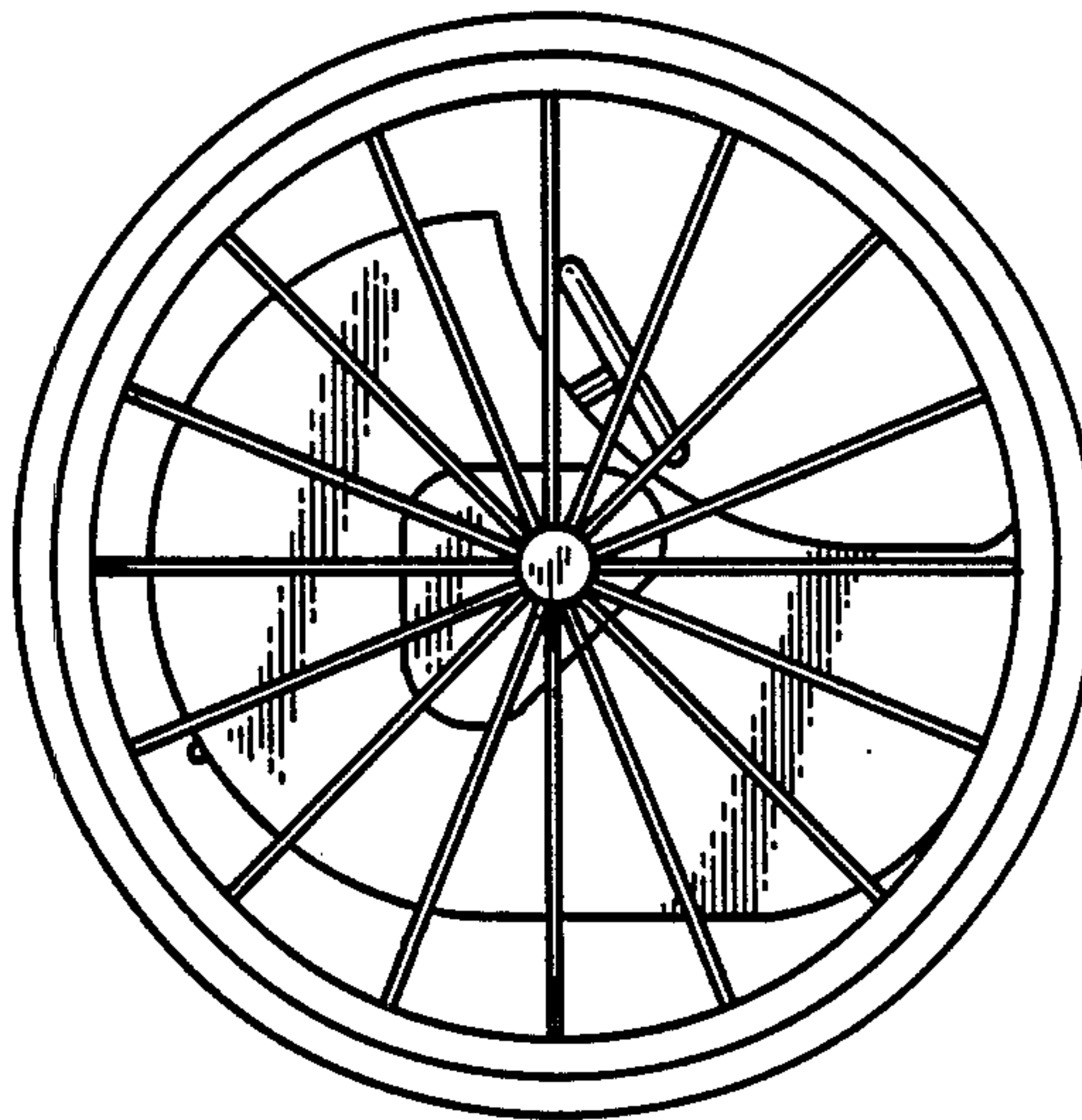
584,127 6/1897 Draullette .
880,823 3/1908 Redfield .
1,240,423 9/1917 Cole .
1,348,464 8/1920 Wheatley .
2,909,145 10/1959 Hertelendy .
3,313,365 4/1967 Jackson .
4,505,490 3/1985 Plugge .

Primary Examiner—Charles A. Rademaker
Attorney, Agent, or Firm—W. C. Tupman

[56] **References Cited**
U.S. PATENT DOCUMENTS
D. 215,948 11/1969 Cook D21/80
D. 220,401 4/1971 Cook D21/71
D. 246,478 11/1977 Loar D21/80
D. 267,024 11/1982 Brazier D21/71
282,299 7/1883 Freeman .
415,790 11/1889 Perry 180/29

[57] **CLAIM**
The ornamental design for a toy vehicle, substantially as shown and described.

DESCRIPTION
FIG. 1 is a side elevational view a toy vehicle showing my new design, the side opposite being substantially a mirror image;
FIG. 2 is a top plan view thereof;
FIG. 3 is a front elevational view thereof; and,
FIG. 4 is a rear elevational view thereof.



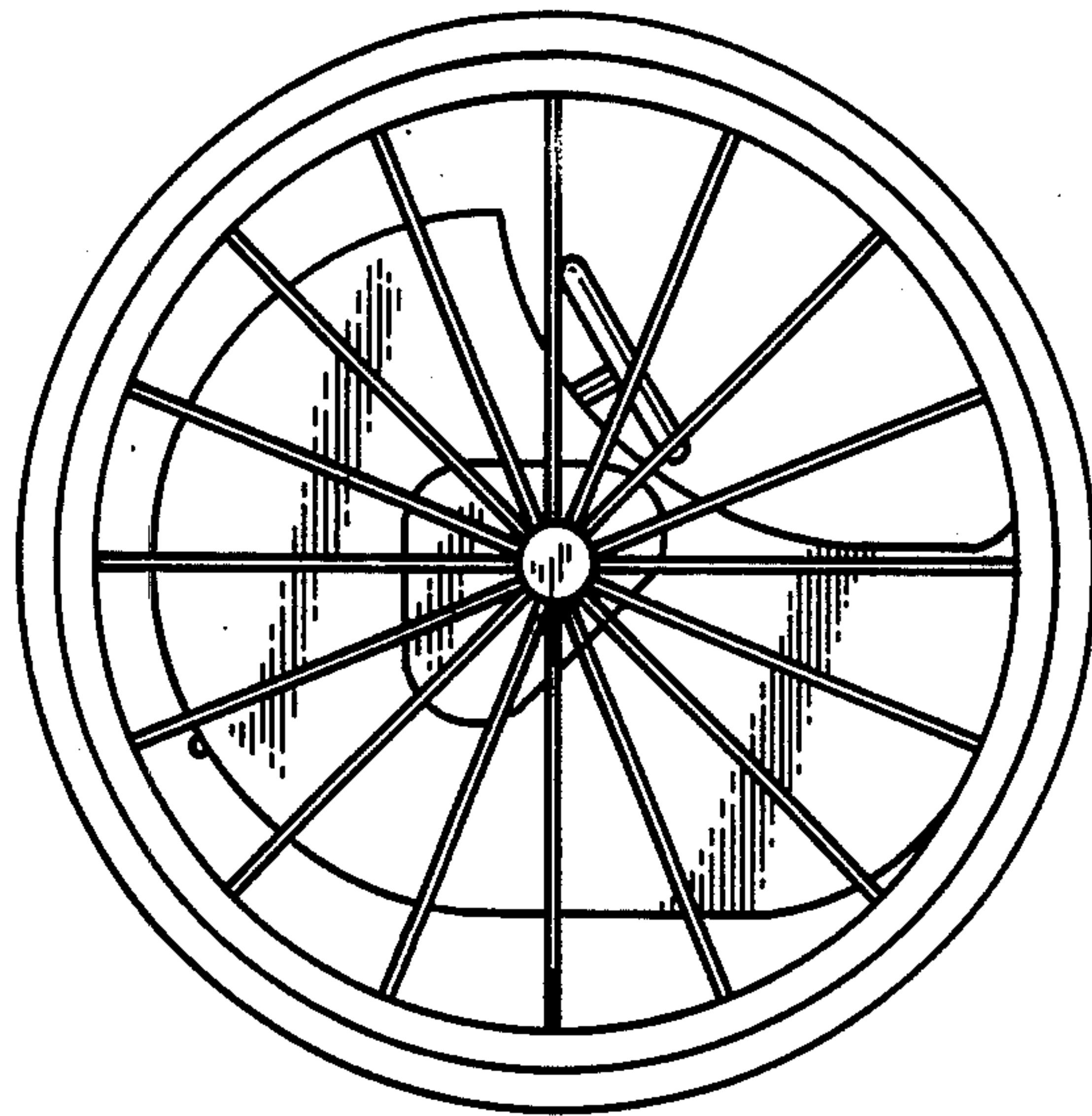


Fig. 1

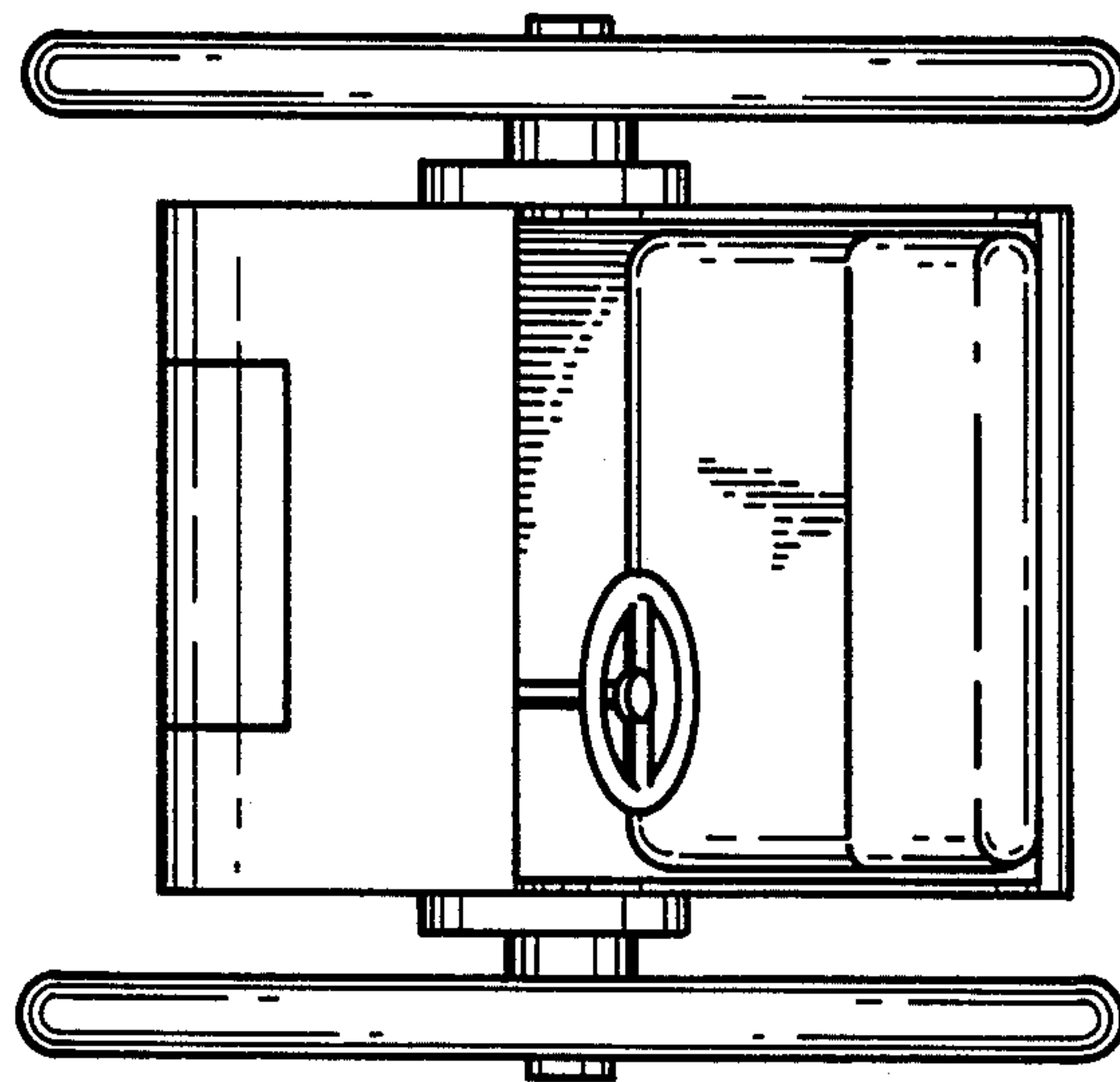


Fig. 2

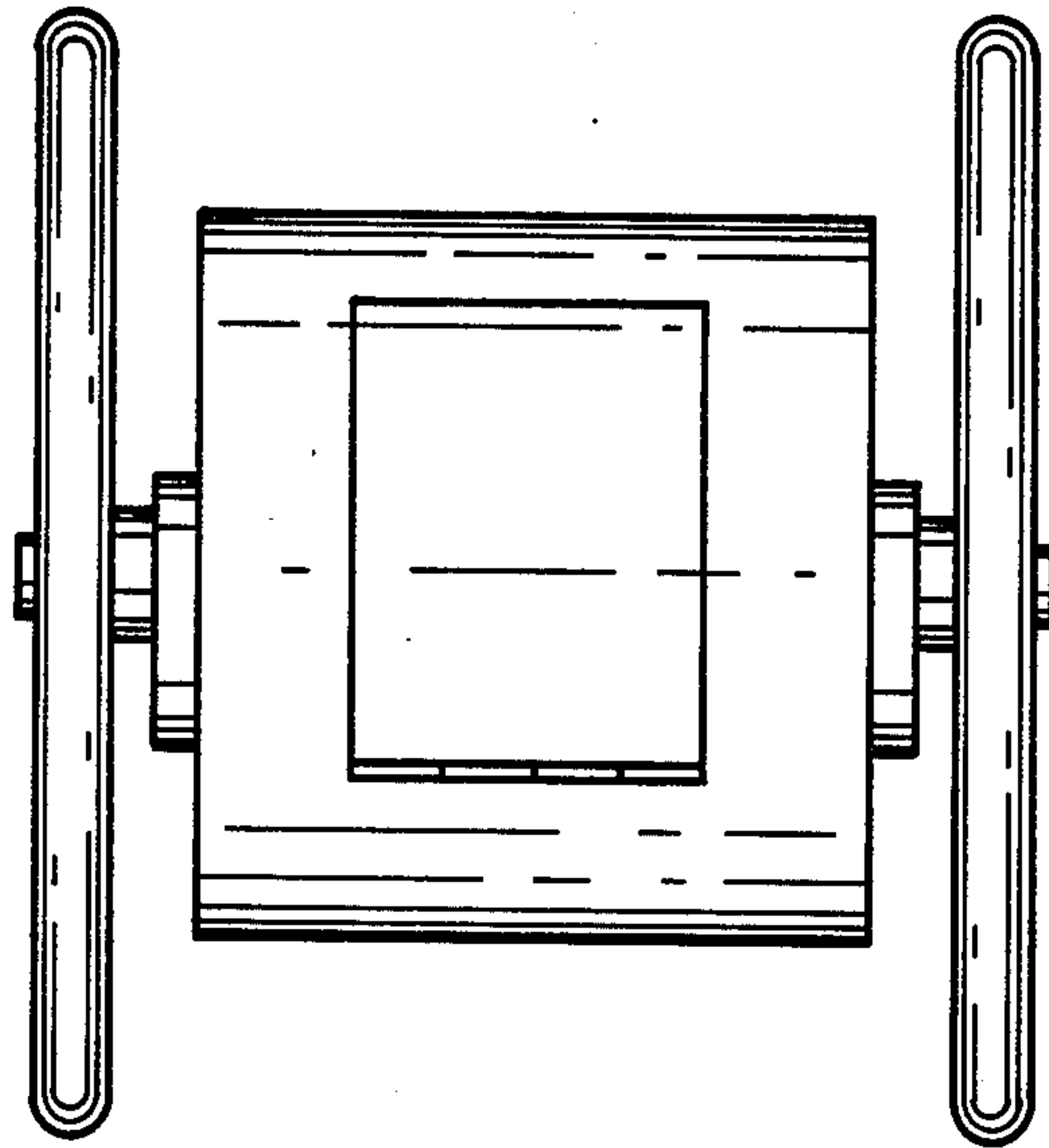


Fig. 3

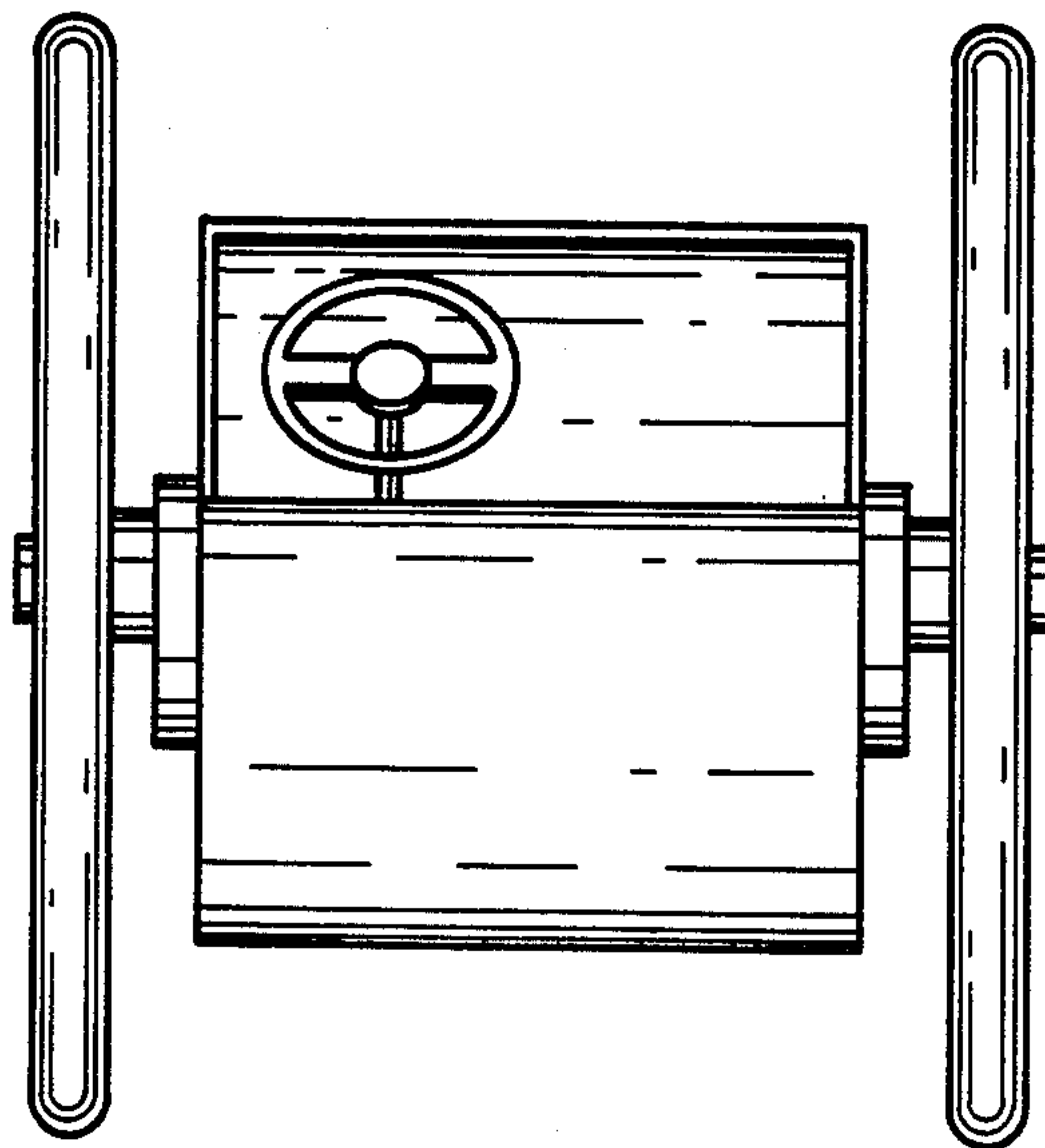


Fig. 4