

[54] BILGE EXHAUST BLOWER FOR BOATS

[75] Inventor: Stanley T. Gresens, Chicago, Ill.

[73] Assignee: Attwood Corporation, Lowell, Mich.

[**] Term: 14 Years

[21] Appl. No.: 794,387

[22] Filed: Nov. 4, 1985

[52] U.S. Cl. D15/4

[58] Field of Search D15/4; 440/84, 88-89, 440/44

[56] References Cited

U.S. PATENT DOCUMENTS

D. 289,295	4/1987	Connor	D15/4
3,092,185	6/1963	Alexander, Jr.	440/89 X
3,099,241	7/1963	McFarlin	440/89
3,576,172	4/1971	Ward	440/89
4,573,318	3/1986	Entringer et al.	440/89 X

OTHER PUBLICATIONS

1983-84 Attwood Product catalog, p. 47 "In-line Bilge Blower" #1322-A.

Primary Examiner—Wallace R. Burke

Assistant Examiner—Brian N. Vinson

Attorney, Agent, or Firm—Price, Heneveld, Cooper, DeWitt & Litton

[57] CLAIM

An ornamental design for a bilge exhaust blower for boats, substantially as shown and described.

DESCRIPTION

FIG. 1 is a side perspective view of the bilge exhaust blower for boats showing my new design;

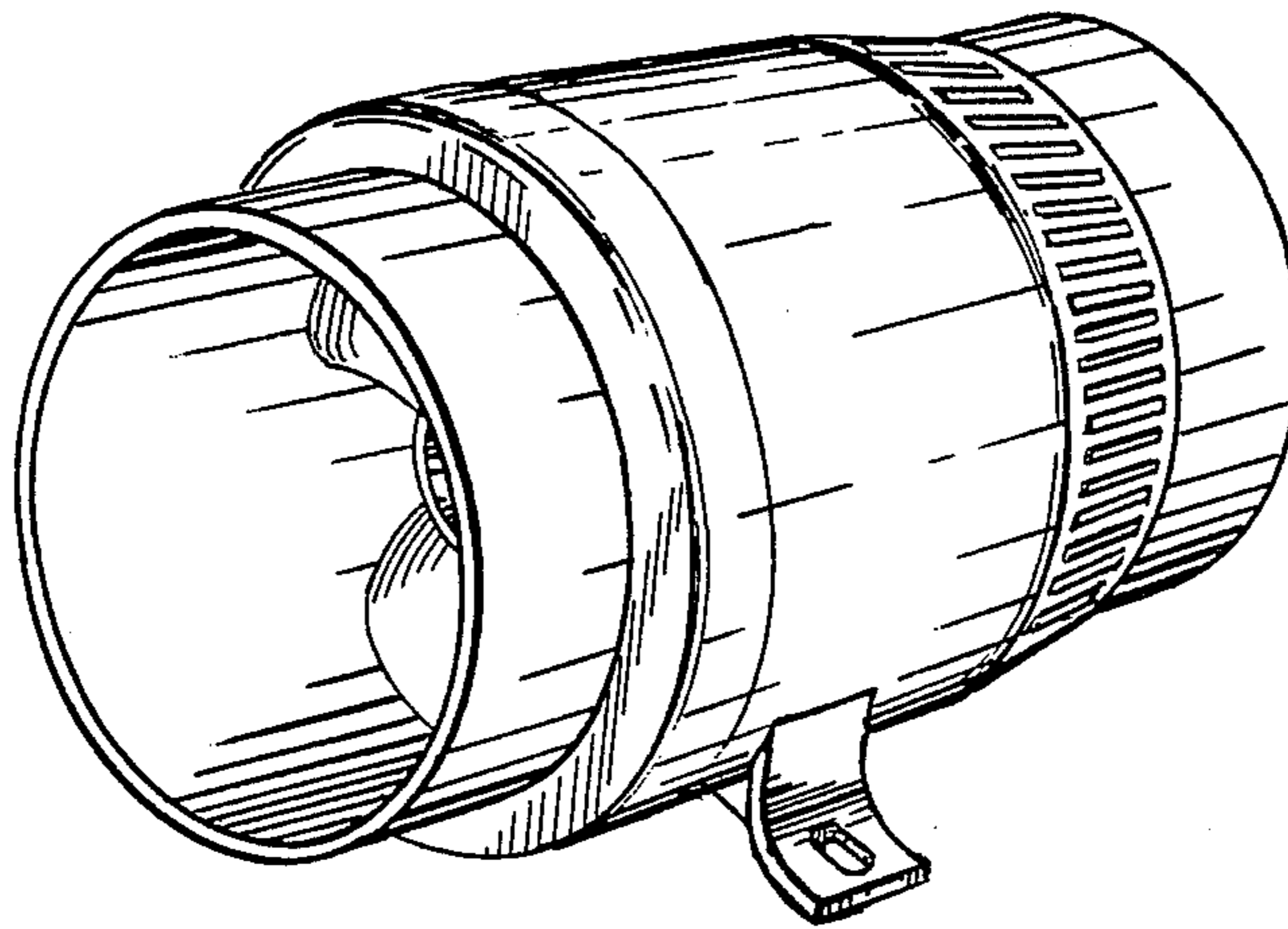
FIG. 2 is a side elevational view thereof, the side opposite being a mirror image;

FIG. 3 is a front elevational view thereof;

FIG. 4 is a top plan view thereof;

FIG. 5 is a bottom plan view thereof; and

FIG. 6 is a rear elevational view thereof.



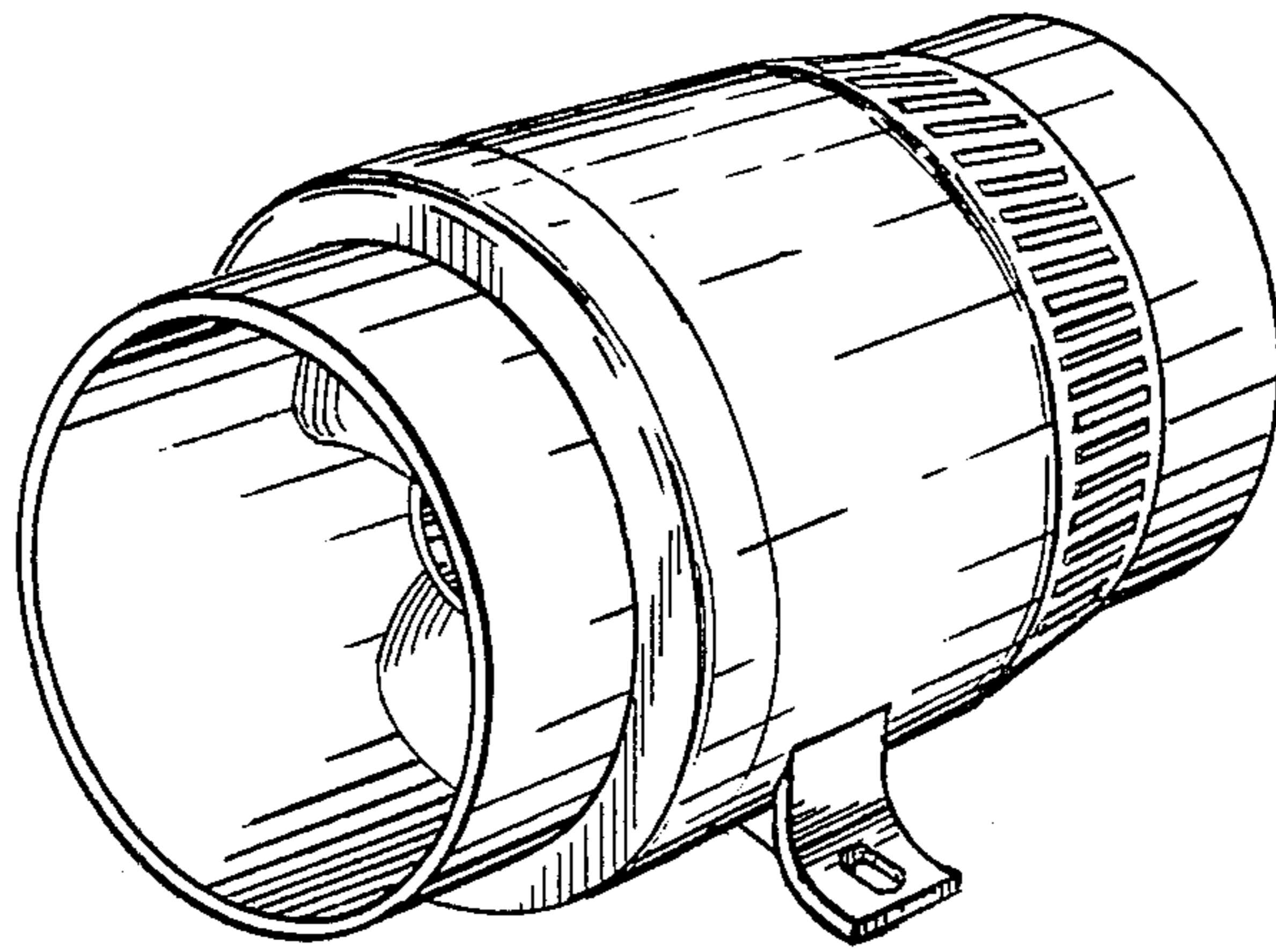


Fig. 1.

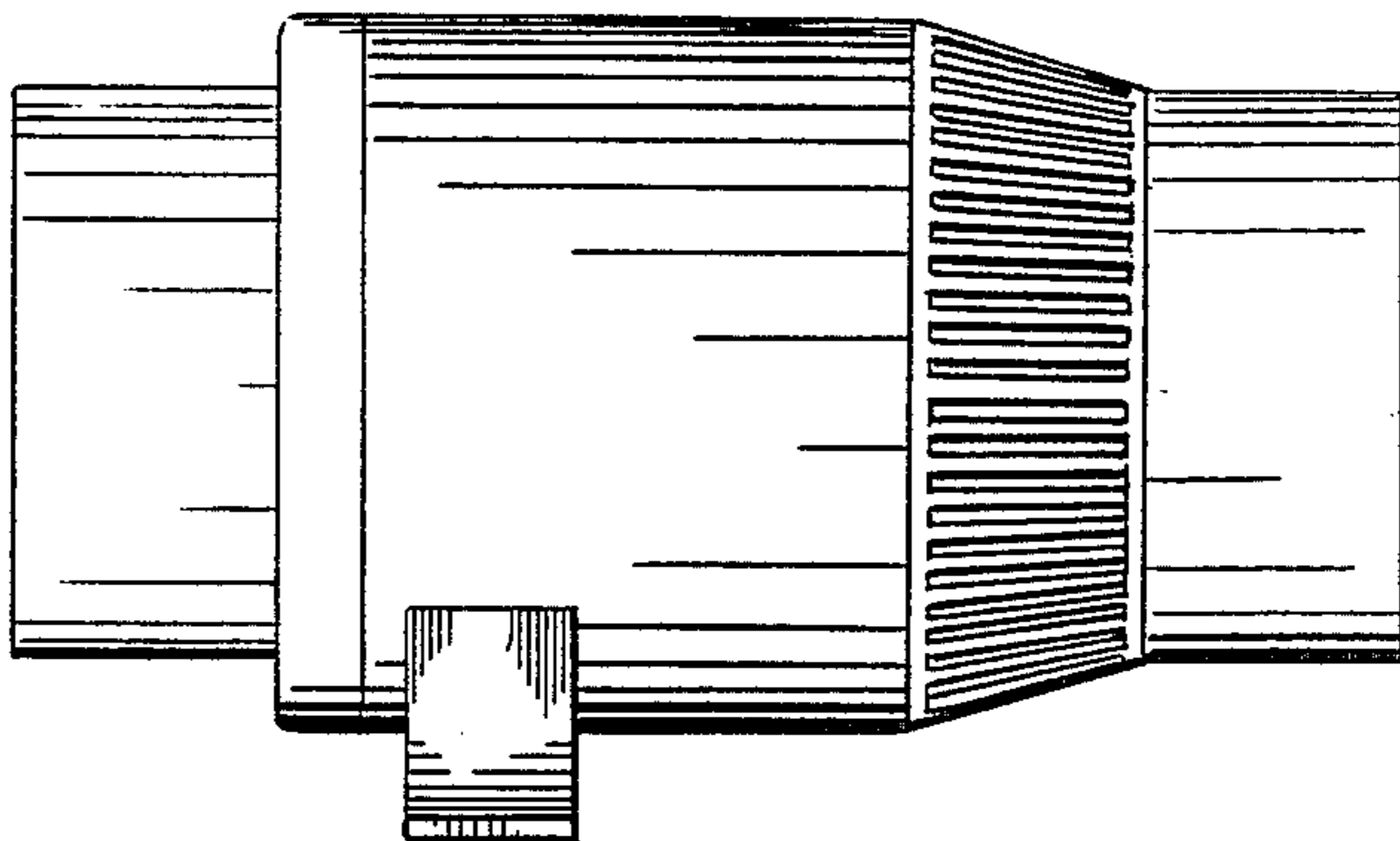


Fig. 2.

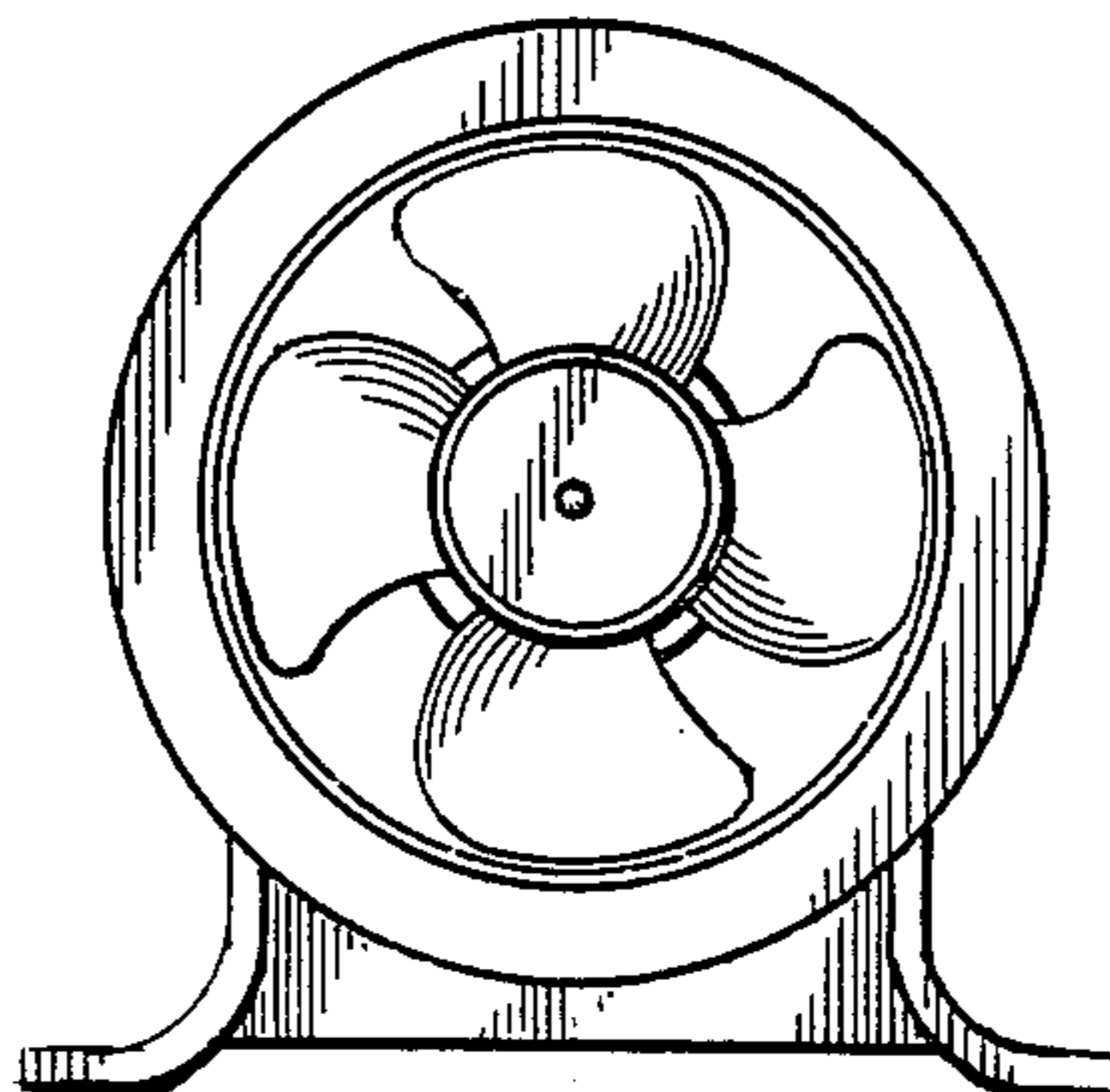


Fig. 3.

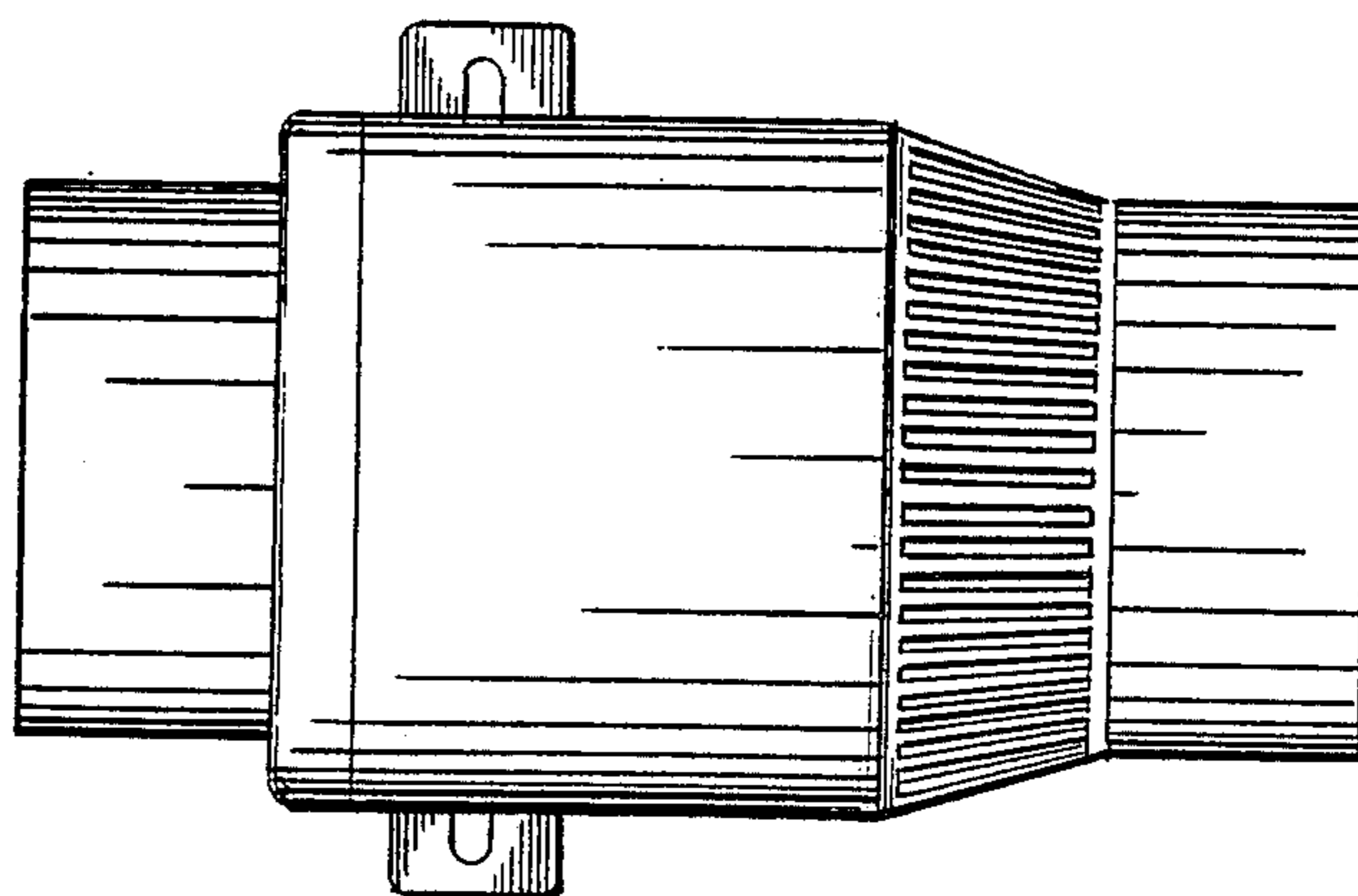


Fig. 4.

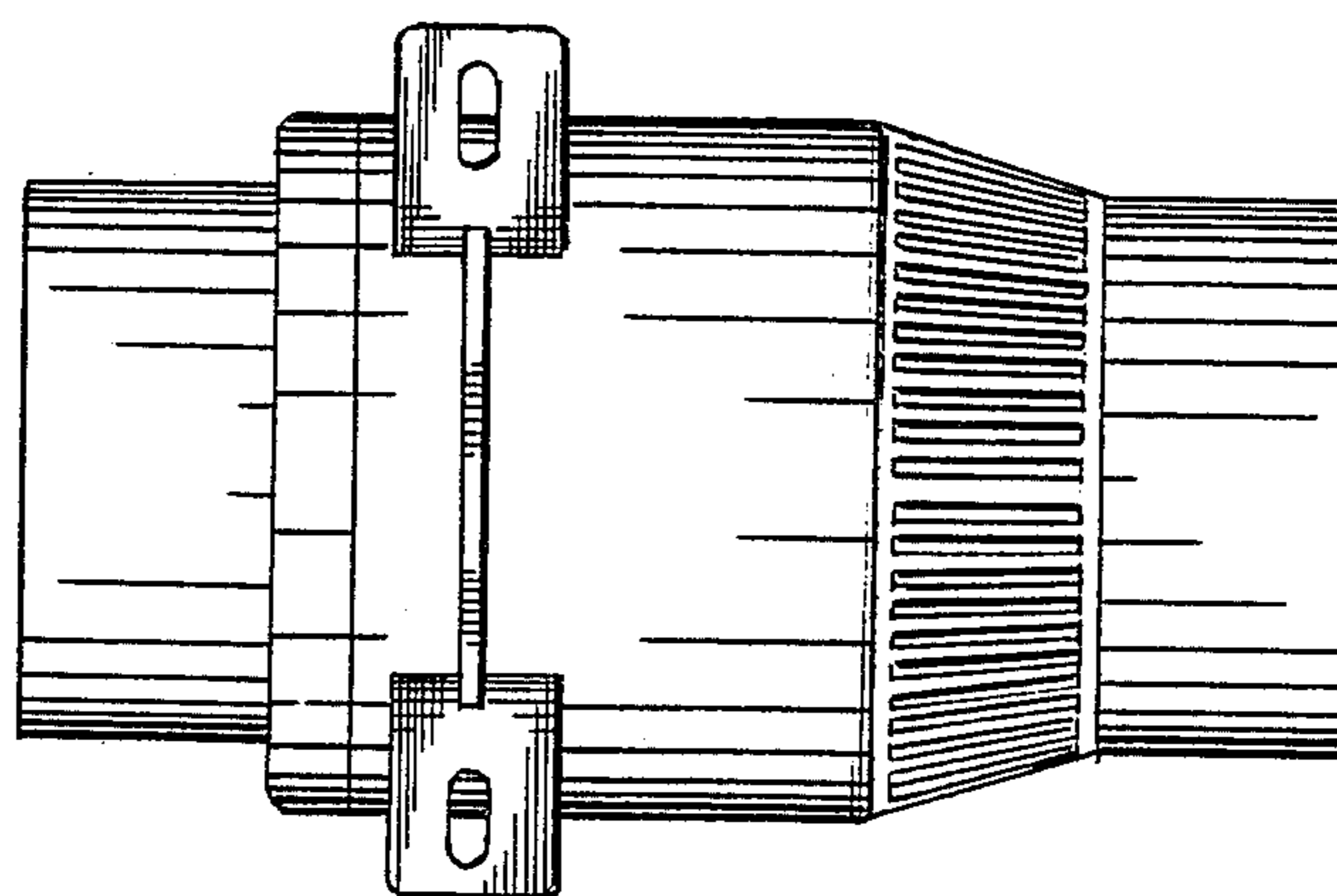


Fig. 5.

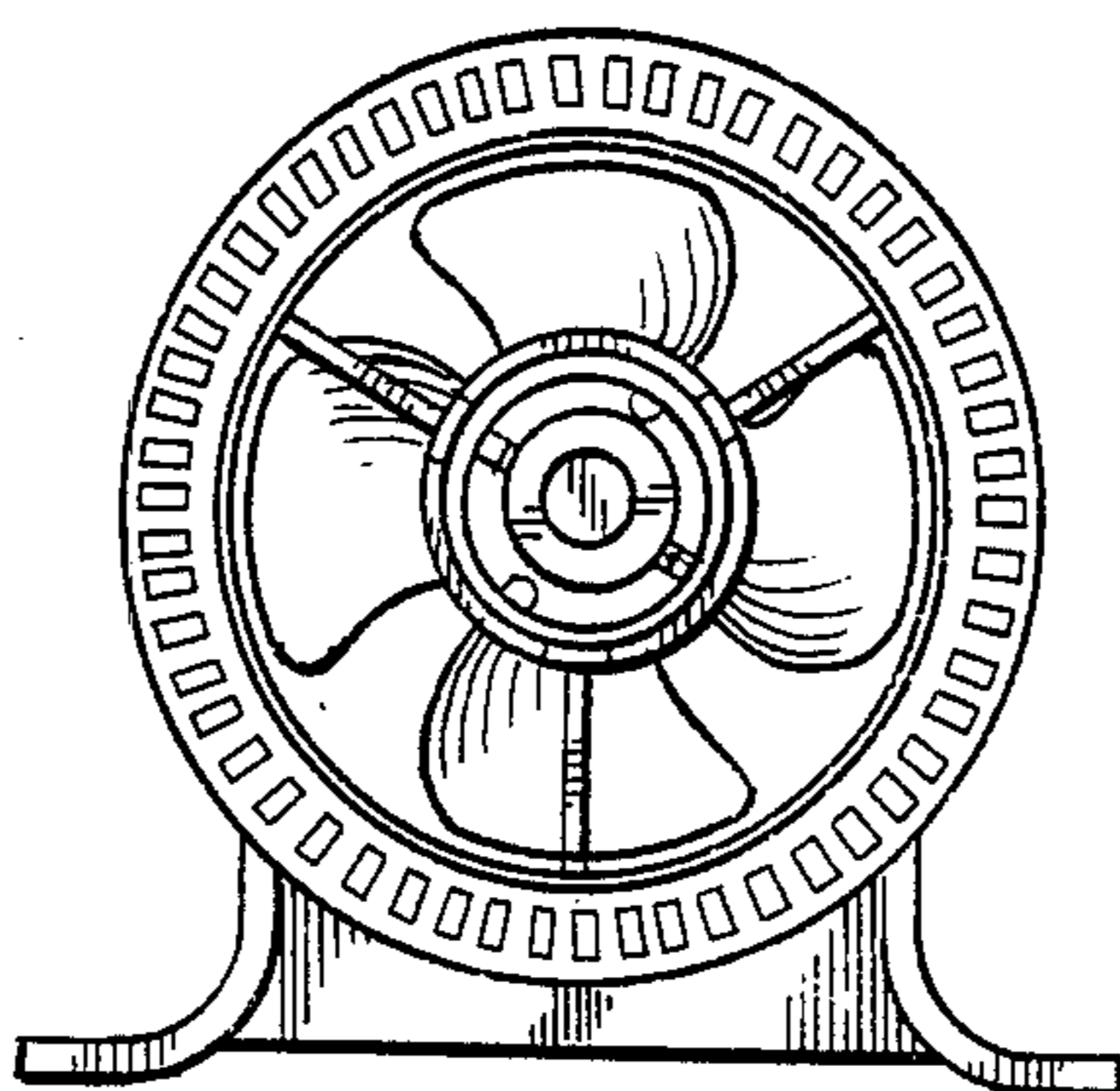


Fig. 6.