

[54] TONGS

[76] Inventor: Hugh M. Sofy, 201 Warrington Rd., Bloomfield Hills, Mich. 48013

[**] Term: 14 Years

[21] Appl. No.: 816,234

[22] Filed: Jan. 6, 1986

[52] U.S. Cl. D7/105

[58] Field of Search D7/105, 99; 294/11, 294/99.1, 99.2, 3, 8.5, 16; 30/324

[56] References Cited

U.S. PATENT DOCUMENTS

D. 257,756 1/1981 Johnson D7/105

Primary Examiner—Bernard Ansher
Assistant Examiner—Terry Pfeffer
Attorney, Agent, or Firm—Lyman R. Lyon

[57] CLAIM

The ornamental design for tongs, as shown and described.

DESCRIPTION

FIG. 1 is a top plan view of tongs showing my new design;
FIG. 2 is a right side elevational view thereof, the hand shown in broken lines for illustrative purposes only;
FIG. 3 is a front elevational view thereof;
FIG. 4 is a rear elevational view thereof; and
FIG. 5 is a right side elevational view thereof in an open condition.

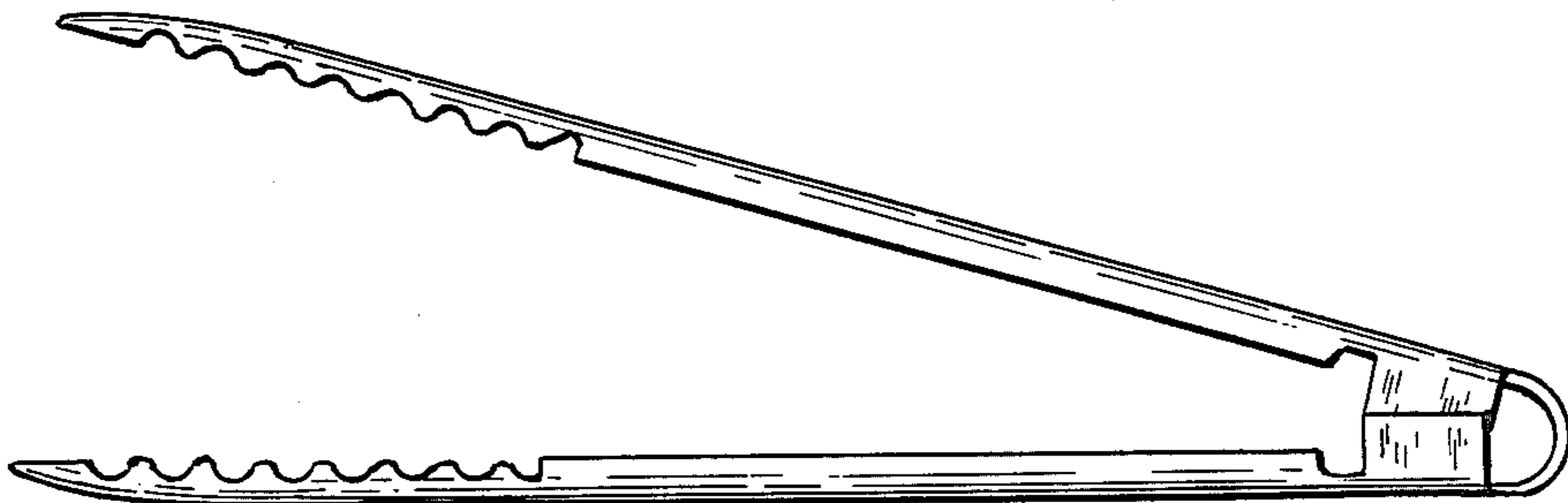
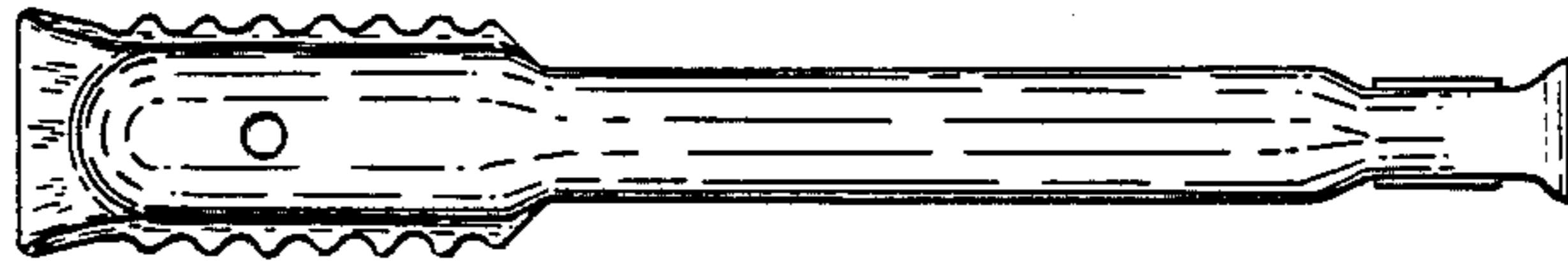


FIG. 1.

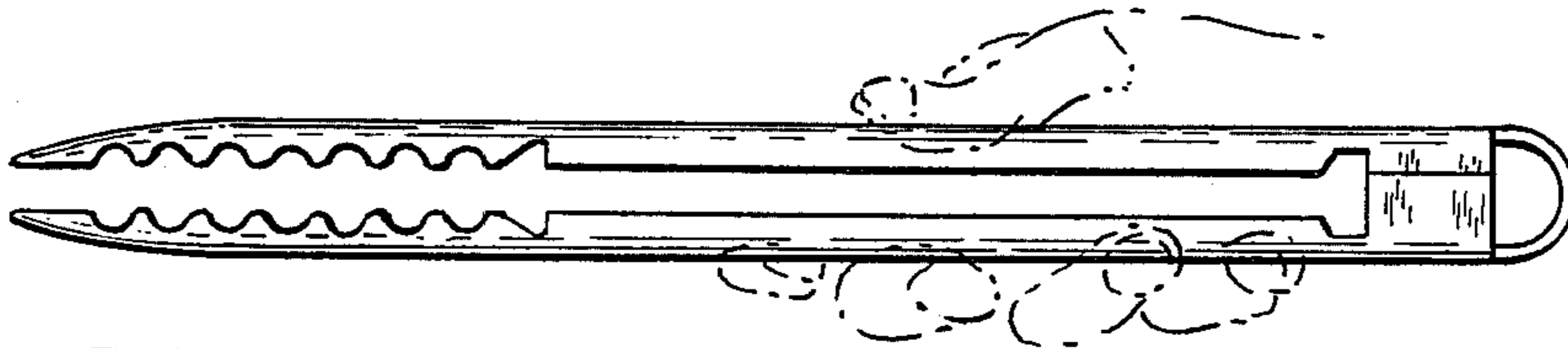
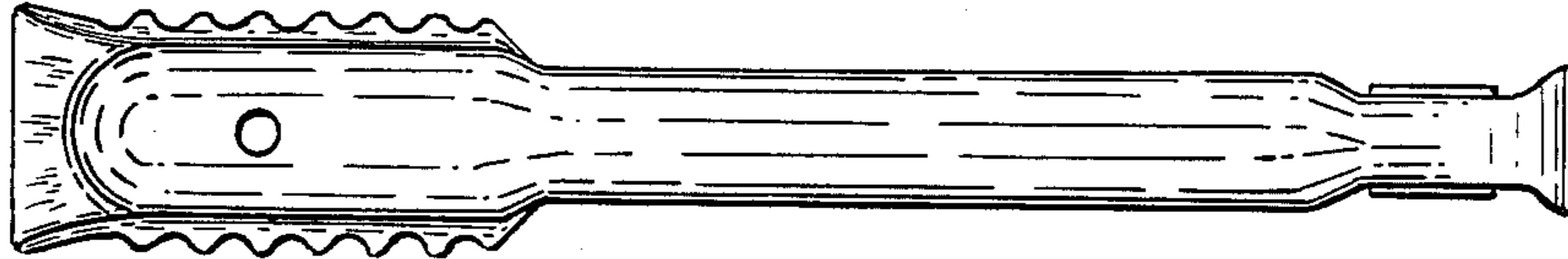


FIG. 2.



FIG. 3.



FIG. 4.

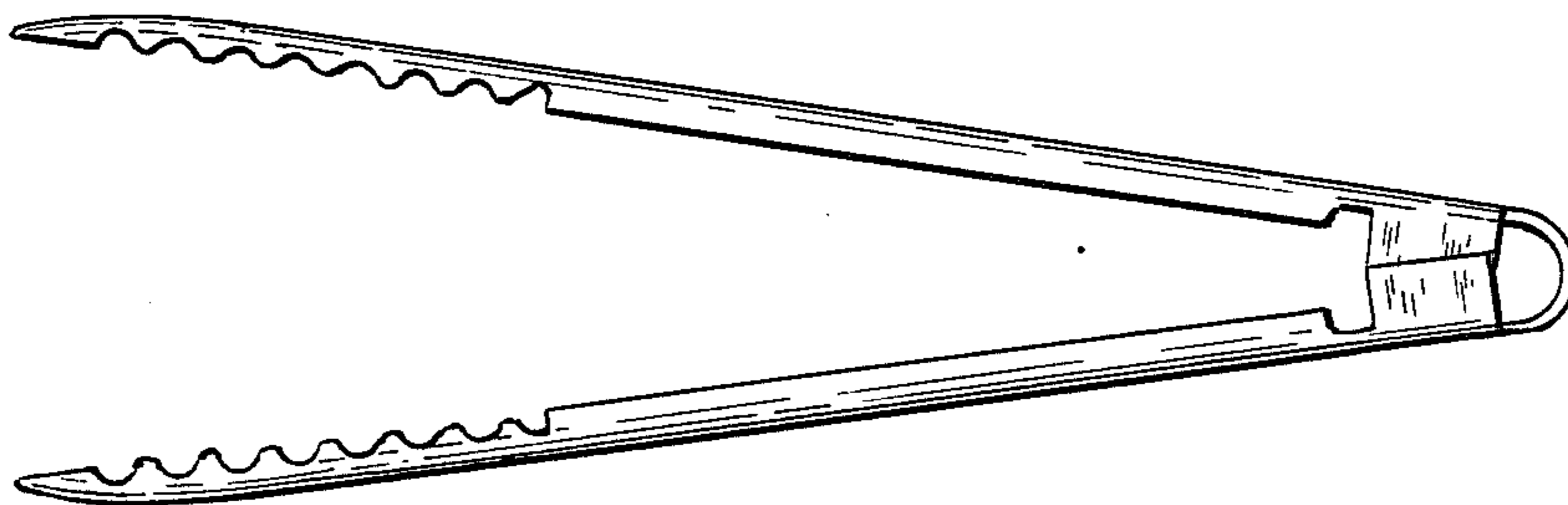


FIG. 5.