

United States Patent [19]

Walters

[11] Patent Number: **Des. 297,006**

[45] Date of Patent: **** Aug. 2, 1988**

[54] **PRESSURE RESPONSIVE SWITCH**

[75] Inventor: **Raymond J. H. Walters, East Victoria Park, Australia**

[73] Assignee: **Values Pty. Ltd., East Victoria Park, Australia**

[**] Term: **14 Years**

[21] Appl. No.: **724,613**

[22] Filed: **Apr. 18, 1985**

[30] **Foreign Application Priority Data**

Oct. 25, 1984 [AU] Australia 9349/84
[52] U.S. Cl. **D13/32**
[58] Field of Search **D32/28, 30, 32, 38;**
174/52 R; 200/61.89, 83 B, 159 R, 293, 303

[56] **References Cited**

U.S. PATENT DOCUMENTS

D. 183,430	8/1958	Schmidt	D13/32
D. 280,501	9/1985	Walters	D13/32
3,944,769	3/1976	Wagner	200/83 B
4,473,729	9/1984	Ting et al.	200/83 B

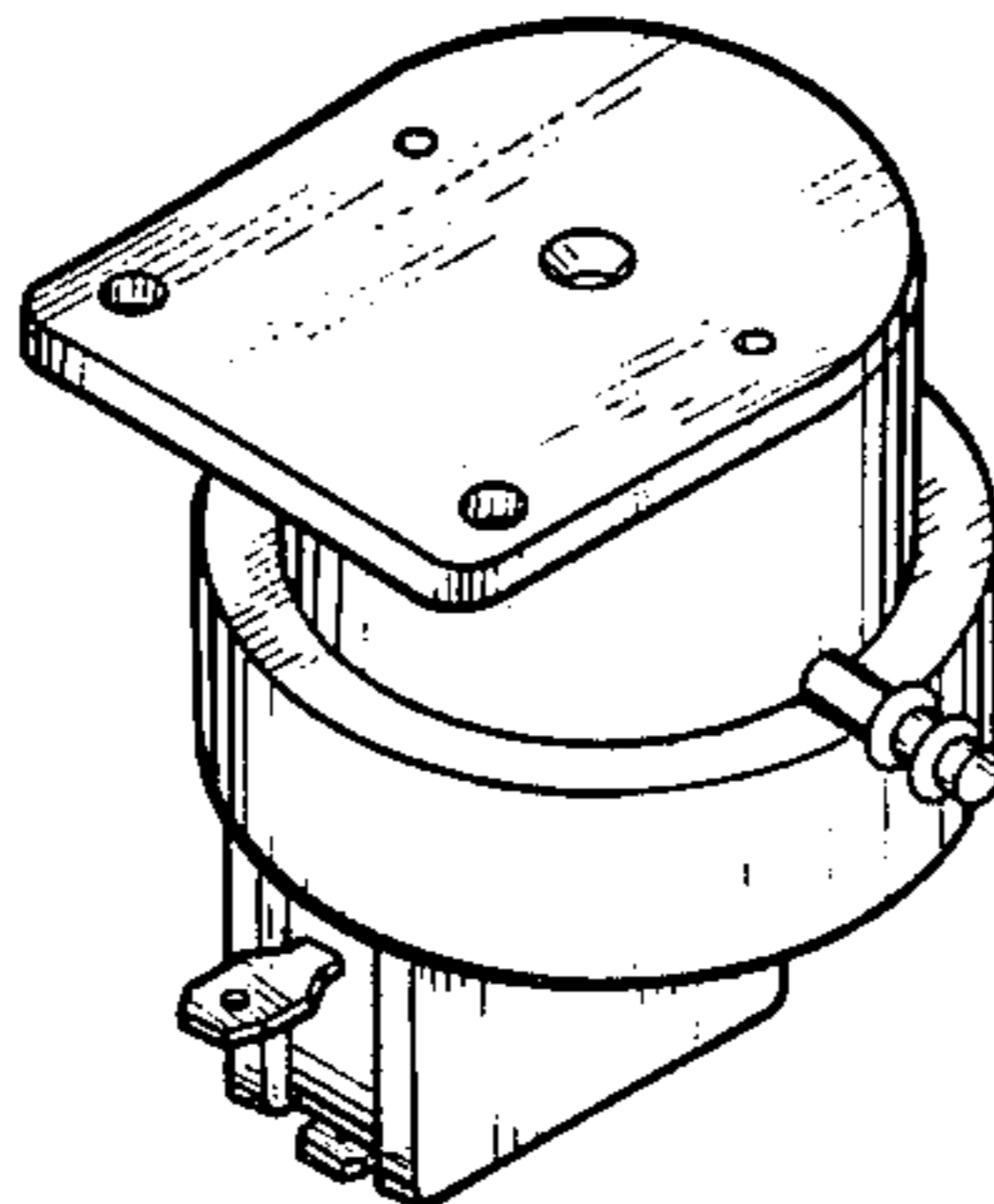
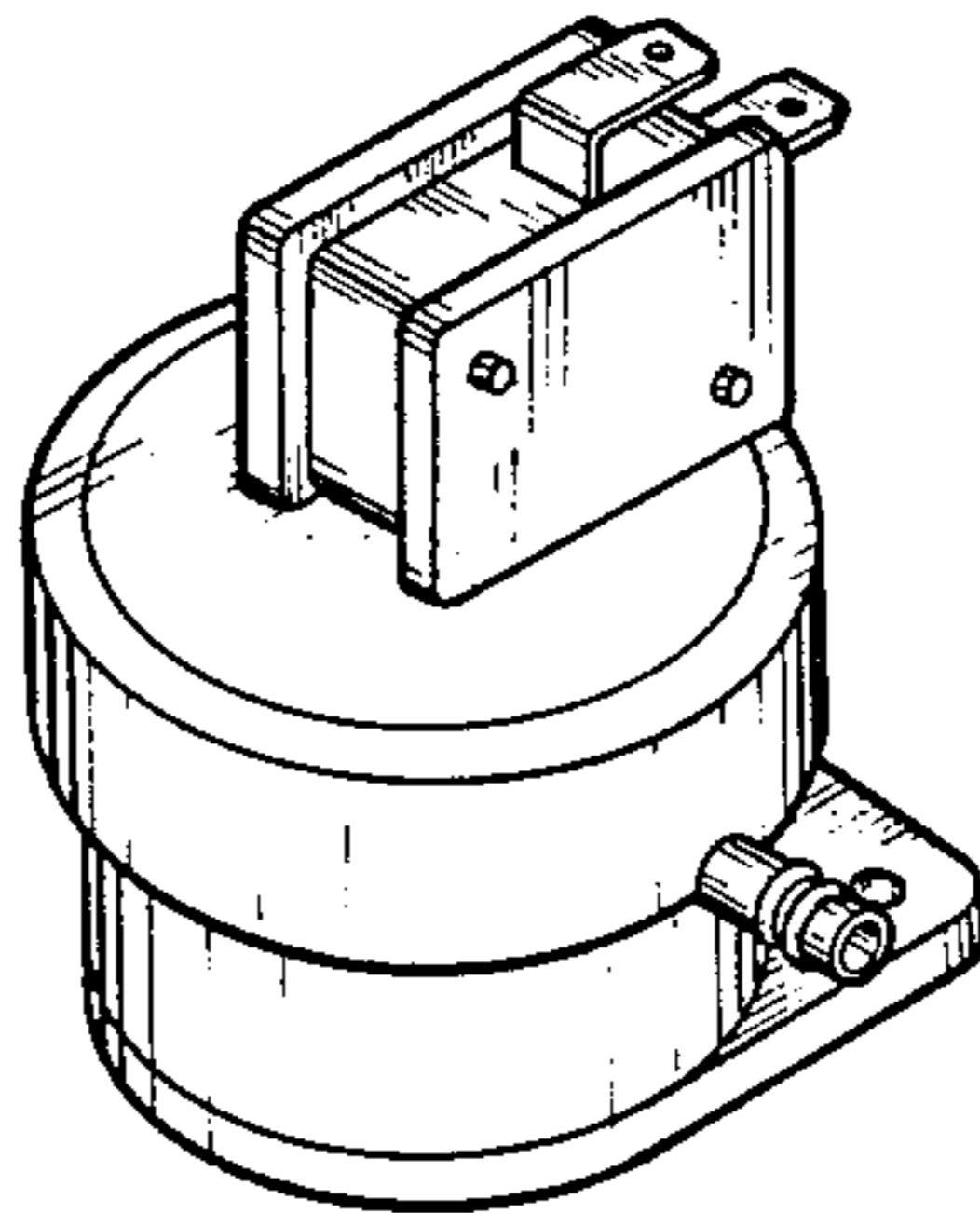
Primary Examiner—Wallace R. Burke
Assistant Examiner—Ruth Takemoto
Attorney, Agent, or Firm—Harness, Dickey & Pierce

[57] **CLAIM**

The ornamental design for a pressure-responsive switch, as shown and described.

DESCRIPTION

FIG. 1 is a top perspective view of a pressure responsive switch showing my new design; FIG. 2 is a bottom perspective view thereof; and FIG. 3 is a side elevational view thereof, the opposite side being a mirror image.



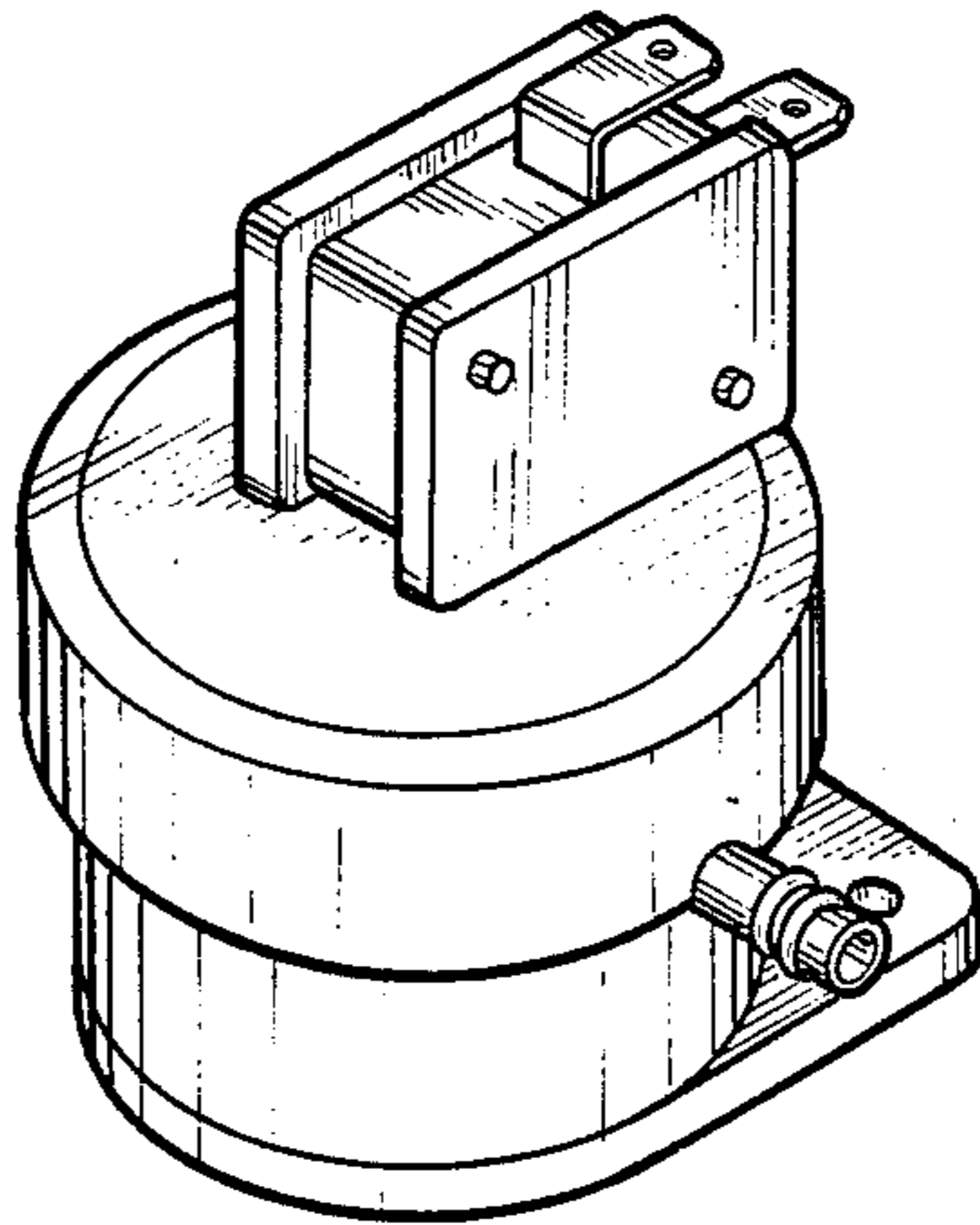


Fig. 1

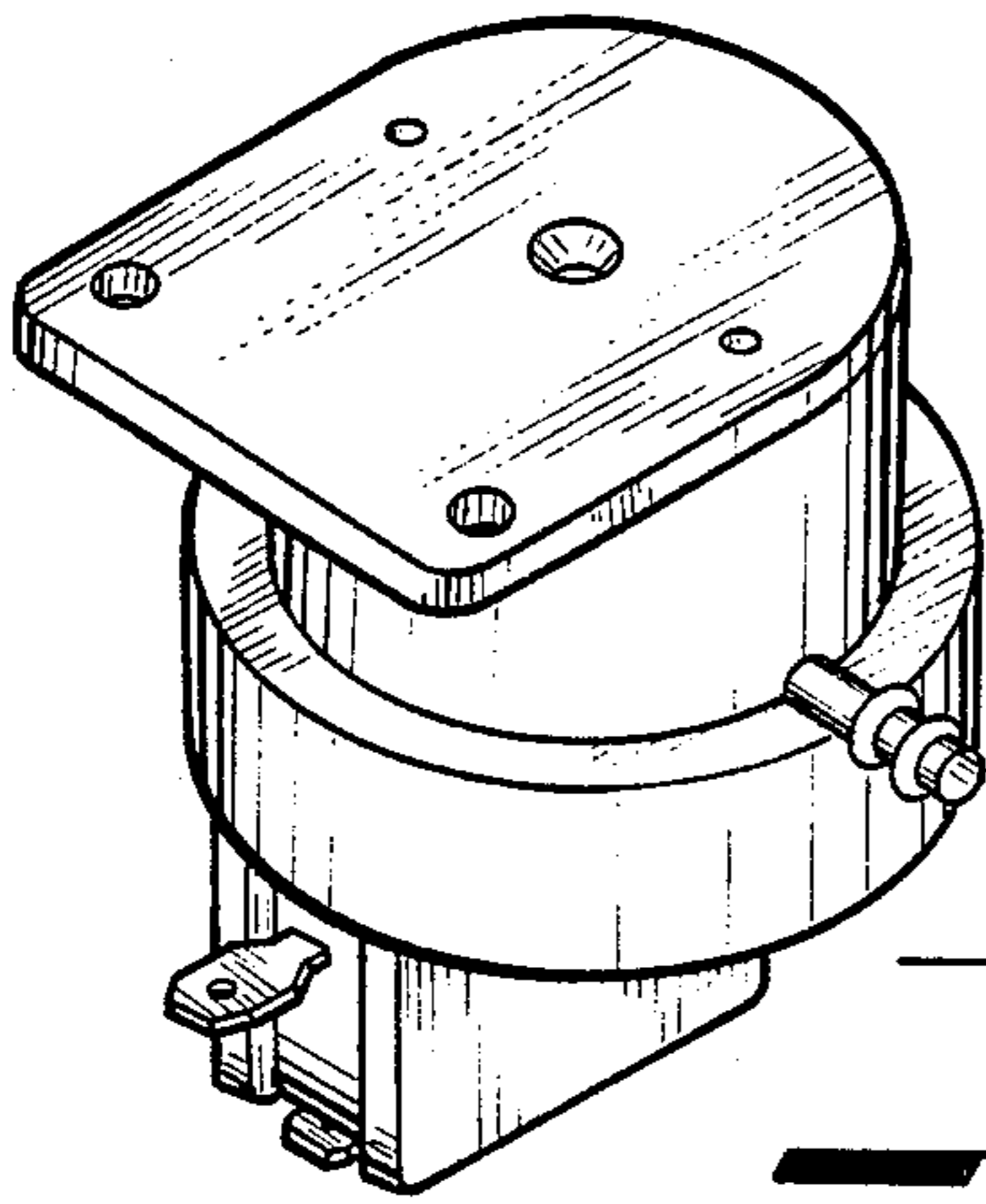


Fig. 2

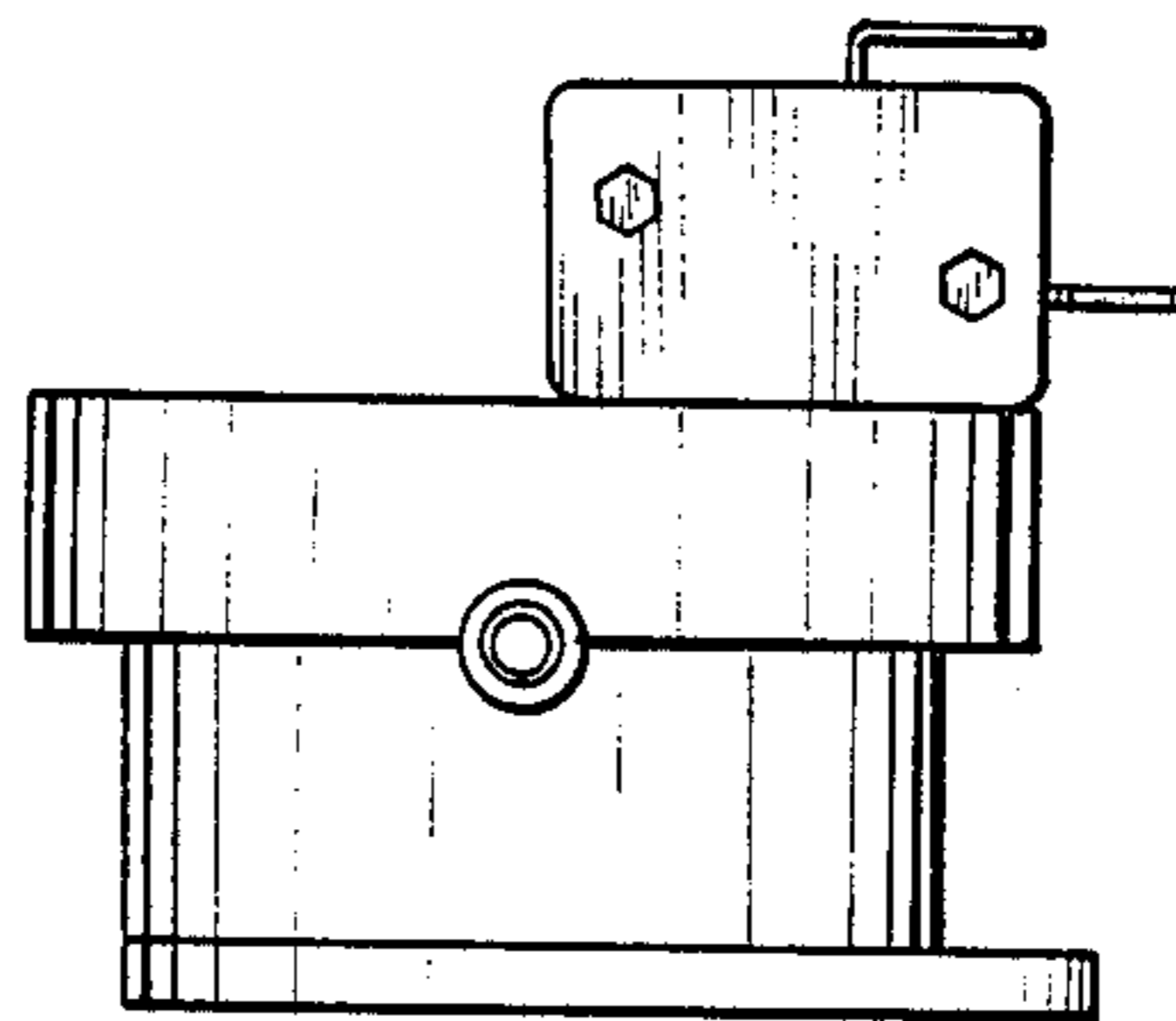


Fig. 3