

[54] HELICOPTER

[75] Inventor: Andrew C. Whyte, Norwalk, Conn.

[73] Assignee: United Technologies Corporation, Hartford, Conn.

[**] Term: 14 Years

[21] Appl. No.: 844,730

[22] Filed: Mar. 13, 1986

[52] U.S. Cl. D12/327

[58] Field of Search D12/319, 327, 333, 326, D12/328; 244/7 R, 7 A, 17.19

[56] References Cited

U.S. PATENT DOCUMENTS

- D. 256,347 8/1980 McComas D12/333
- D. 291,194 8/1987 Binden D12/327
- 3,807,662 4/1974 Velazquez 244/17.19

FOREIGN PATENT DOCUMENTS

908941 7/1949 Fed. Rep. of Germany 244/7

OTHER PUBLICATIONS

Flight Int'l, Nov. 5, 1983, p. 1219, "Fighter Helicopter" (top).

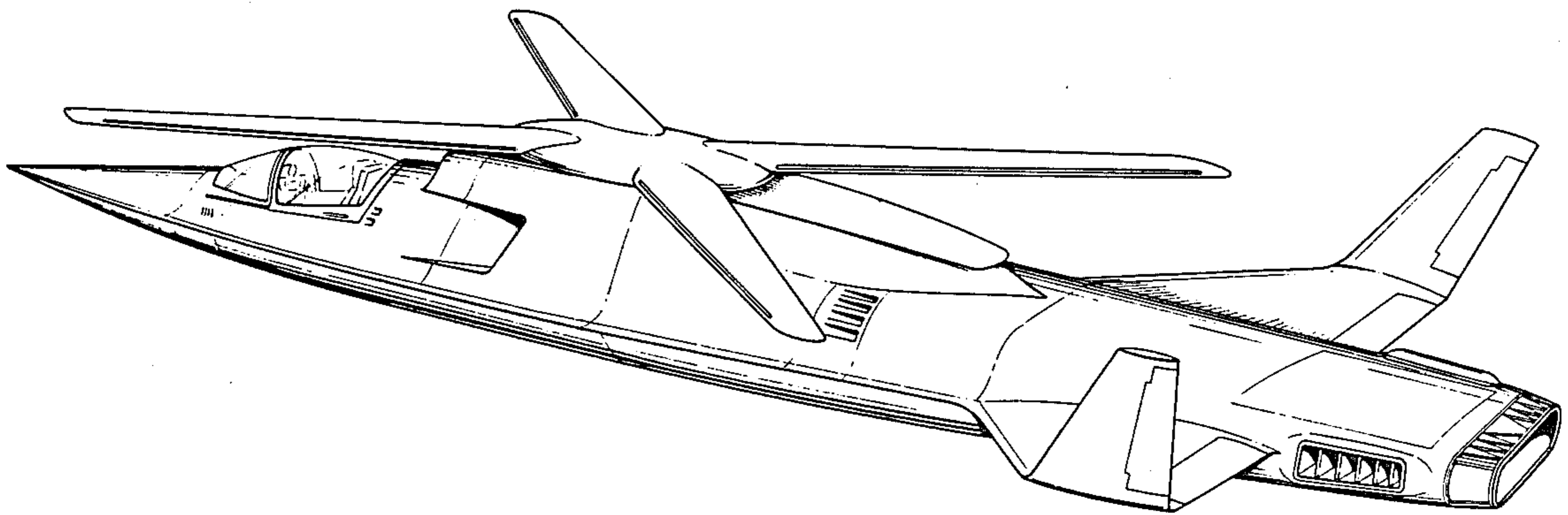
Primary Examiner—James M. Gandy
Assistant Examiner—Kay H. Chin
Attorney, Agent, or Firm—Gerald Linden

[57] CLAIM

The ornamental design for a helicopter, as shown.

DESCRIPTION

FIG. 1 is a perspective view of a helicopter showing my new design;
FIG. 2 is a front elevational view thereof;
FIG. 3 is a left side elevational view thereof;
FIG. 4 is a right side elevational view thereof;
FIG. 5 is a top plan view thereof;
FIG. 6 is a rear elevational view thereof; and
FIG. 7 is a bottom plan view thereof.



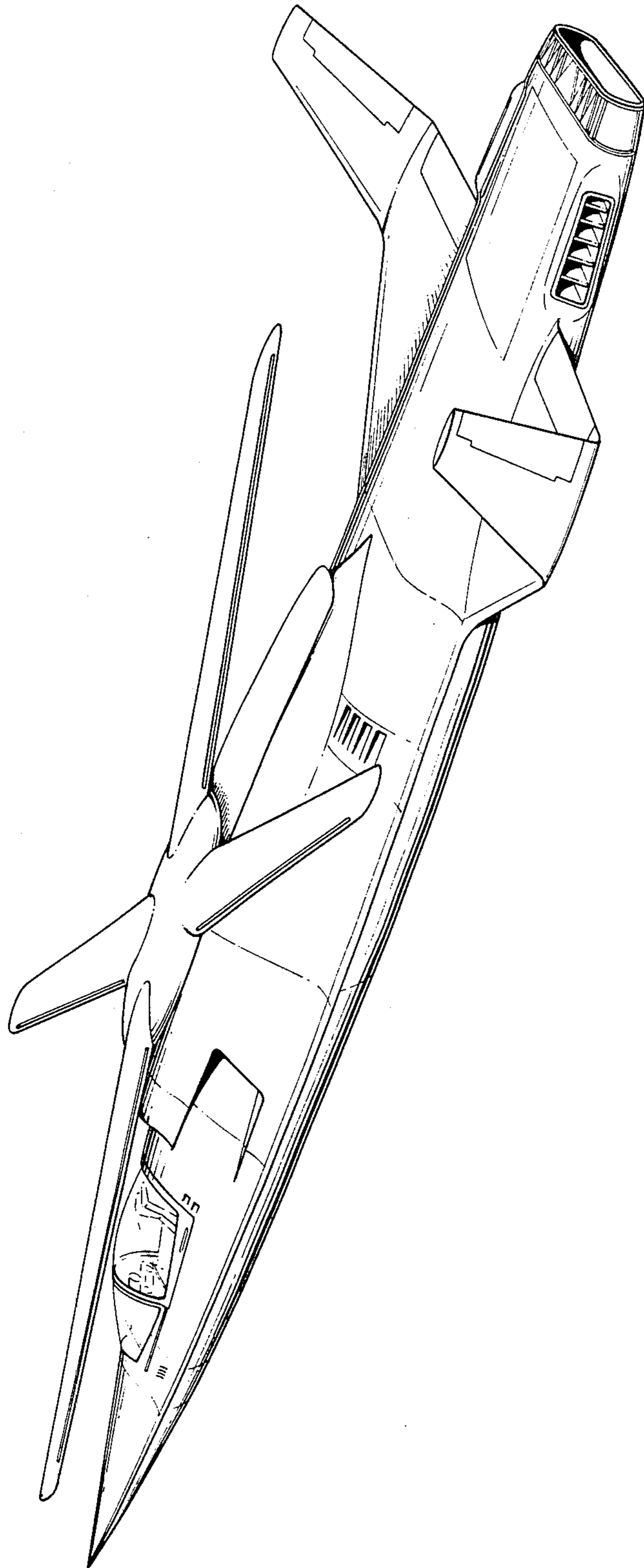


FIG. 1

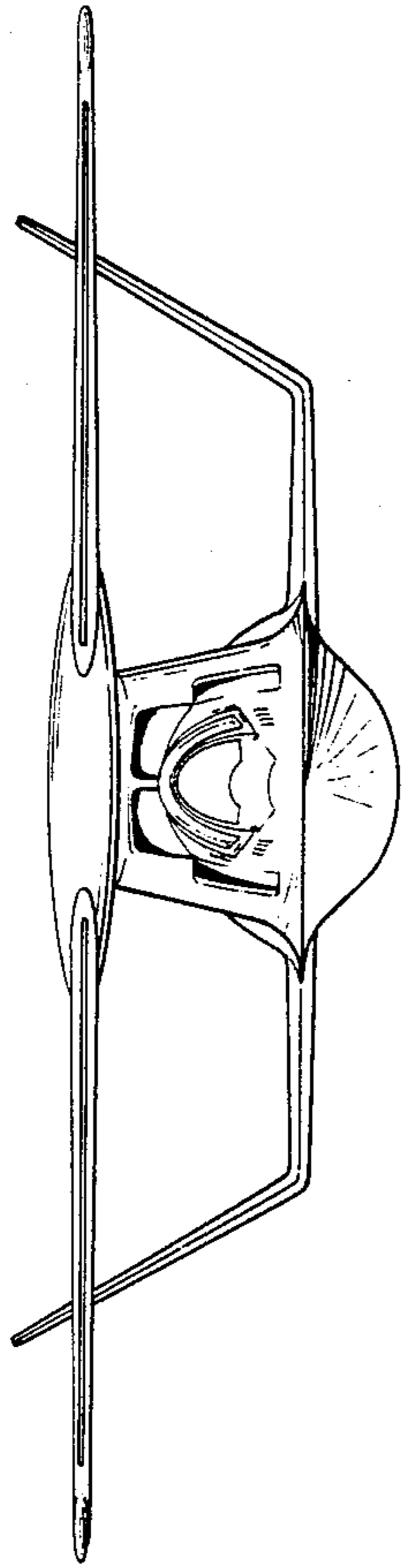


FIG. 2

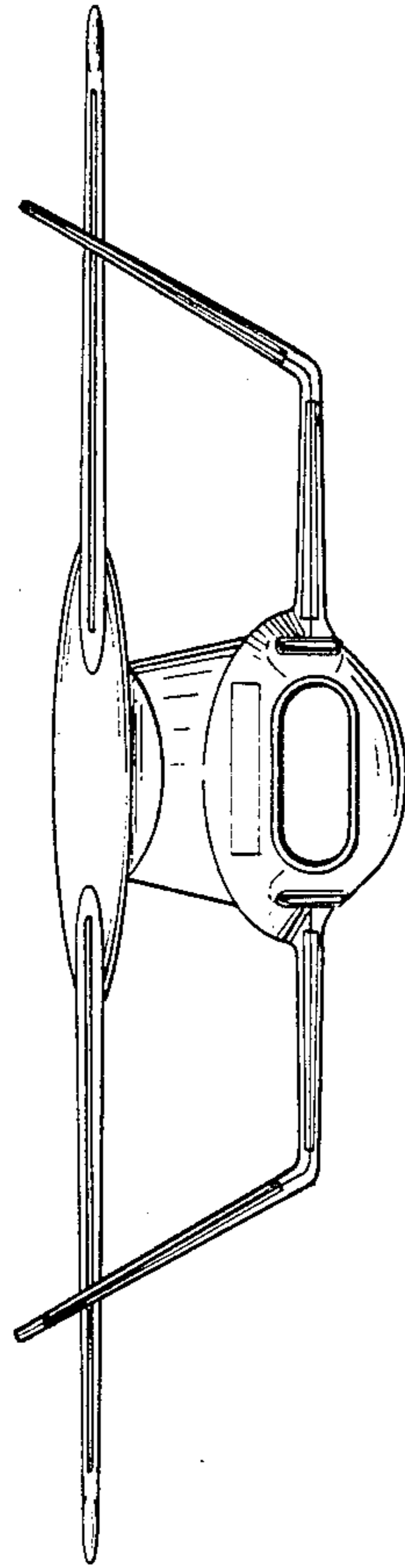


FIG. 6

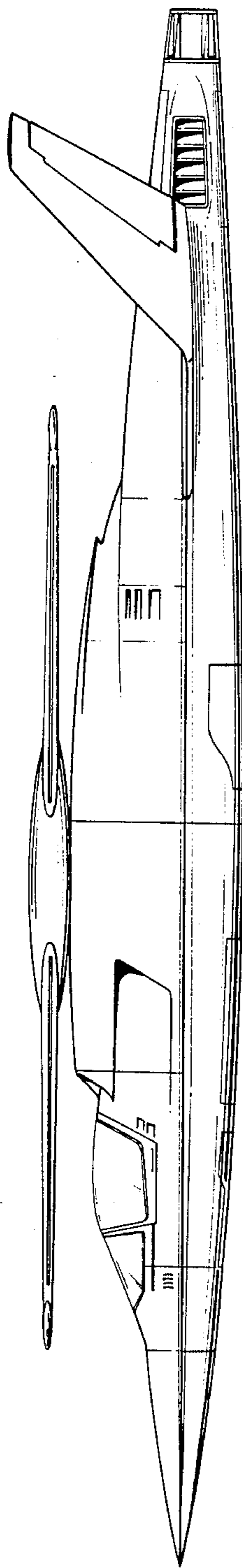


FIG. 3

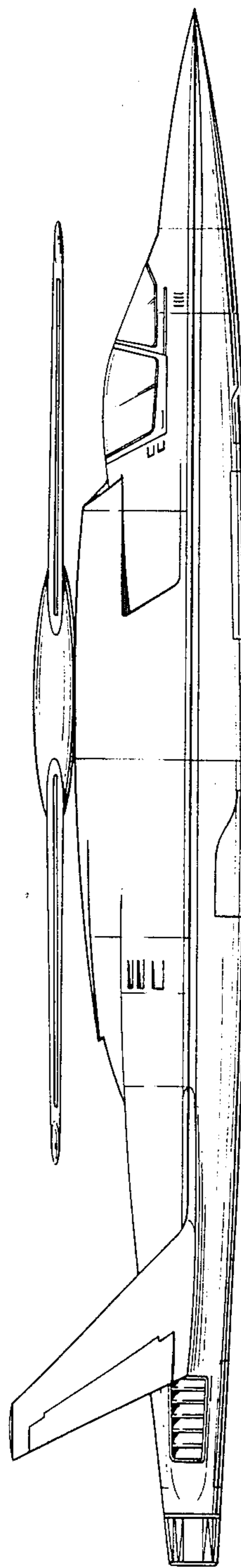


FIG. 4

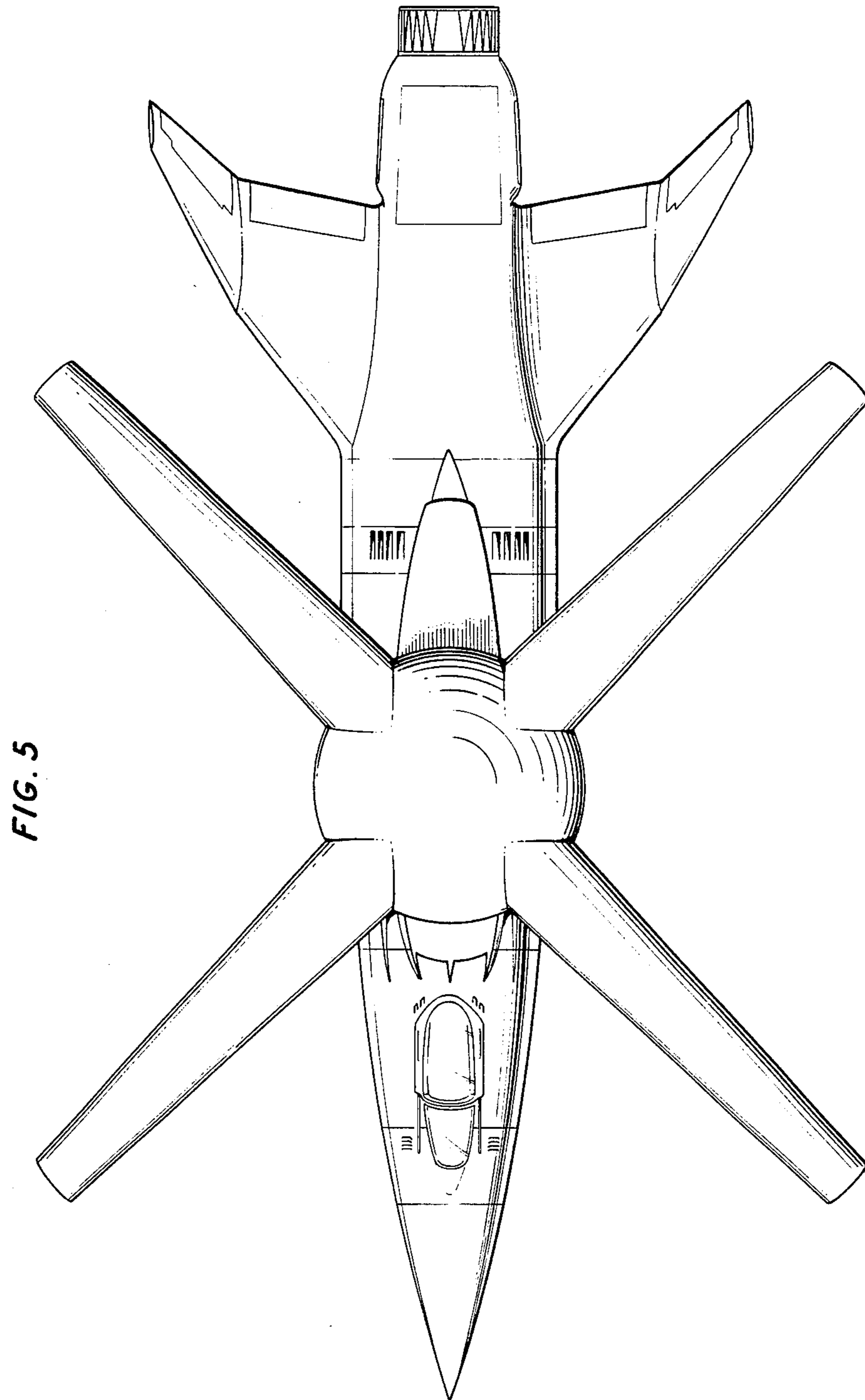


FIG. 5

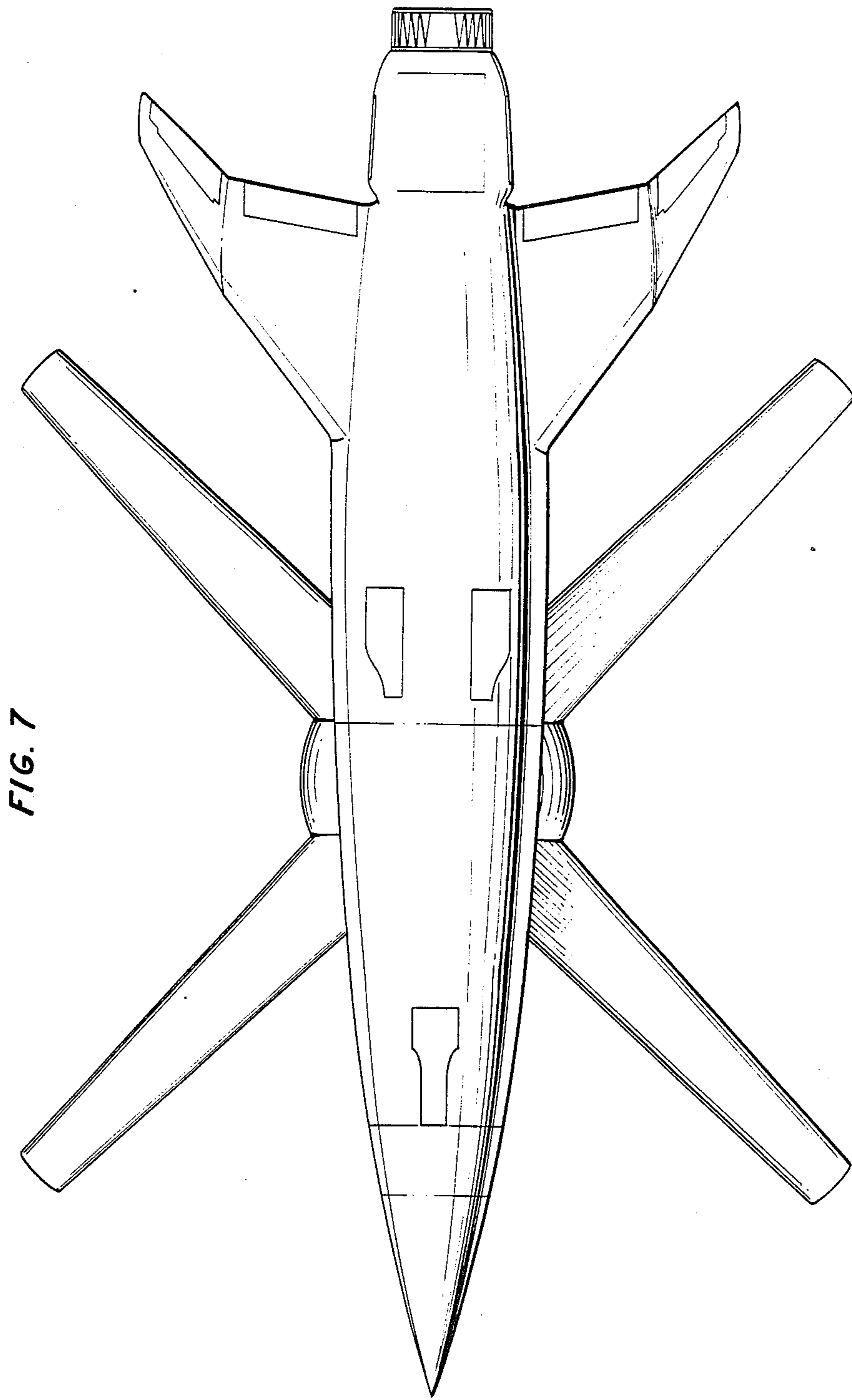


FIG. 7