

[54] **FLOAT**

[75] **Inventor: Ove Henriksen, Eggesbönes, Norway**

[73] **Assignee: Baro Mek. Verksted A/S, Eggesbönes, Norway**

[**] **Term: 14 Years**

[21] **Appl. No.: 817,256**

[22] **Filed: Jan. 8, 1986**

[30] **Foreign Application Priority Data**

Jul. 8, 1985 [NO] Norway 66.450

[52] **U.S. Cl. D12/316; D21/237**

[58] **Field of Search D21/237; 114/244, 245; D12/316; 367/23, 56, 17**

[56] **References Cited**

U.S. PATENT DOCUMENTS

2,638,176 5/1953 Doolittle 367/23
3,744,021 7/1973 Todd 367/23

4,323,989 4/1982 Huckabee et al. 367/17
4,549,499 10/1985 Huffhines et al. 114/244
4,562,789 1/1986 Bornhofft et al. 114/244
4,566,083 1/1986 Thigpen 367/23
4,698,791 10/1987 Cunningham 367/56

FOREIGN PATENT DOCUMENTS

2152216 7/1985 United Kingdom 114/244

Primary Examiner—Wallace R. Burke

Assistant Examiner—Kay H. Chin

Attorney, Agent, or Firm—Wenderoth, Lind & Ponack

[57] **CLAIM**

The ornamental design for a float, as shown.

DESCRIPTION

FIG. 1 is a top perspective view of a float showing my new design;

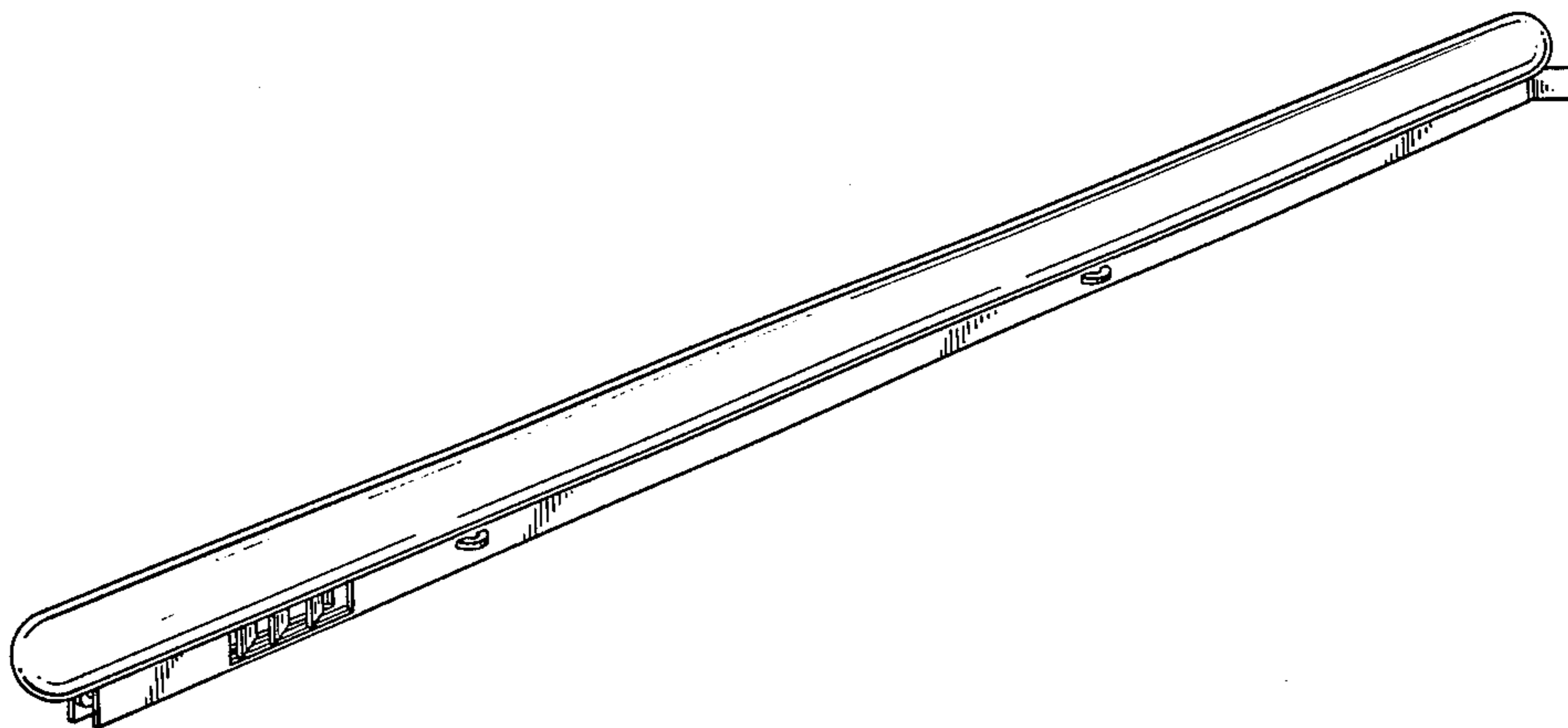
FIG. 2 is a left side elevational view thereof;

FIG. 3 is a right side elevational view thereof;

FIG. 4 is a bottom plan view thereof;

FIG. 5 is a front elevational view thereof; and,

FIG. 6 is a rear elevational view thereof.



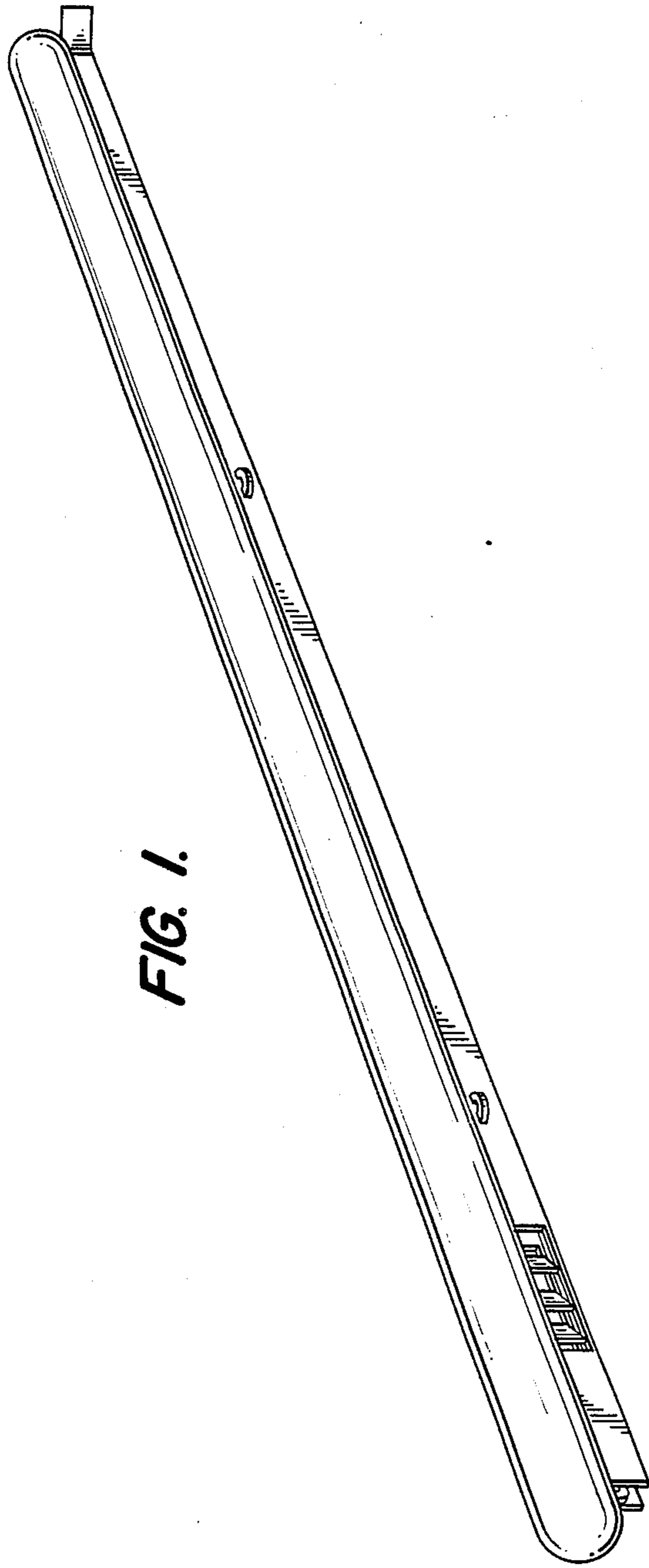


FIG. 1.

FIG. 2.

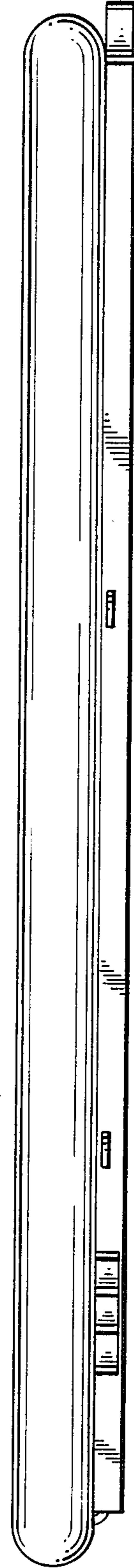


FIG. 3.

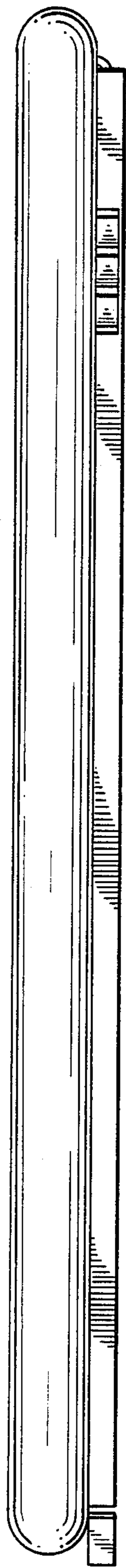


FIG. 4.



FIG. 5.

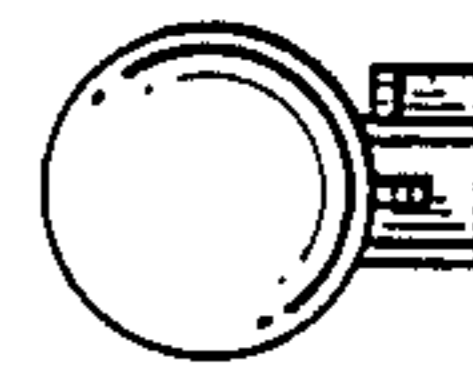


FIG. 6.

