

United States Patent [19]

Morse

[11] Patent Number: **Des. 296,999**

[45] Date of Patent: **** Aug. 2, 1988**

[54] **SEMI-END DUMP TRAILER BODY**

[76] Inventor: **William J. Morse, 8224 Banana St.,
Fontana, Calif. 92335**

[**] Term: **14 Years**

[21] Appl. No.: **833,776**

[22] Filed: **Feb. 18, 1986**

[52] U.S. Cl. **D12/15; D34/3;
D15/123**

[58] Field of Search **D34/3; D12/15, 14, 1;
298/29, 27, 30, 17 R; 100/229 A, 229 R;
D15/123; 296/184**

[56] **References Cited**

U.S. PATENT DOCUMENTS

D. 258,737 3/1981 Schmidt D15/123

D. 289,748 5/1987 Proeschl D12/15
2,080,943 5/1937 Jones 298/30
3,759,573 9/1973 Rosenbaum 298/29

Primary Examiner—James M. Gandy
Assistant Examiner—Kay H. Chin
Attorney, Agent, or Firm—John H. Crowe

[57] CLAIM

The ornamental design for a semi-end dump trailer body, substantially as shown and described.

DESCRIPTION

FIG. 1 is a side elevational view of a semi-end dump trailer body showing my new design, the opposite side elevational view being a mirror image thereof.

FIG. 2 is a bottom plan view thereof.

FIG. 3 is a top plan view thereof.

FIG. 4 is a rear elevational view thereof.

FIG. 5 is a front elevational view thereof.

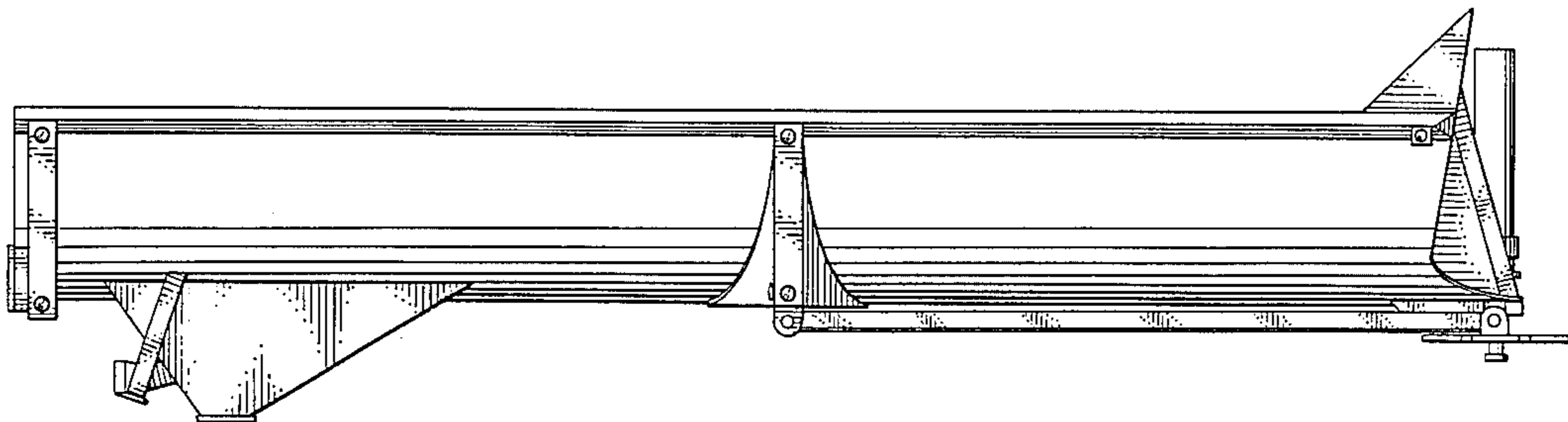


FIG. 1.

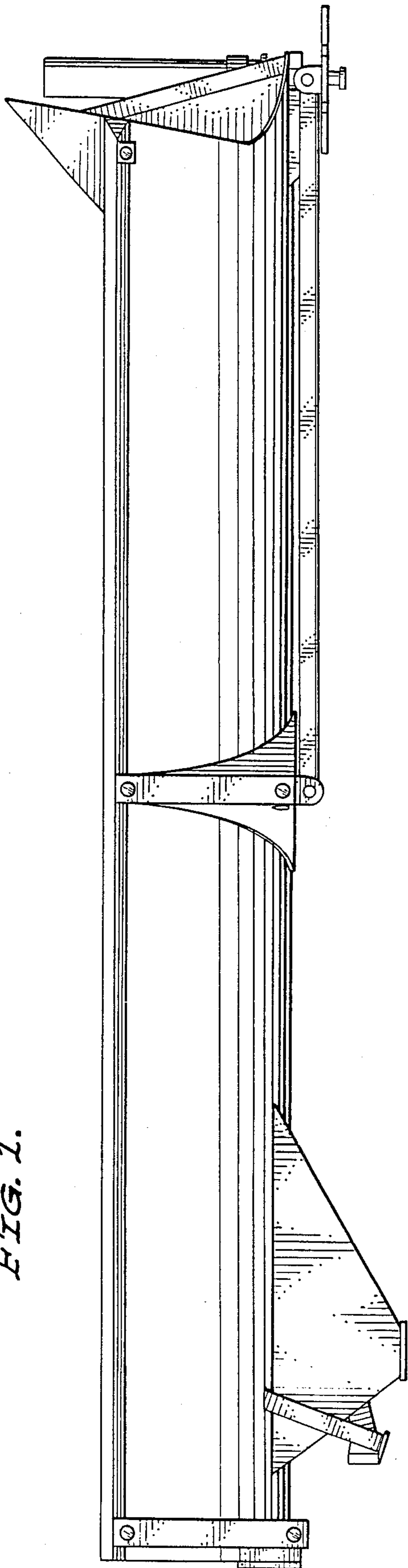


FIG. 2.

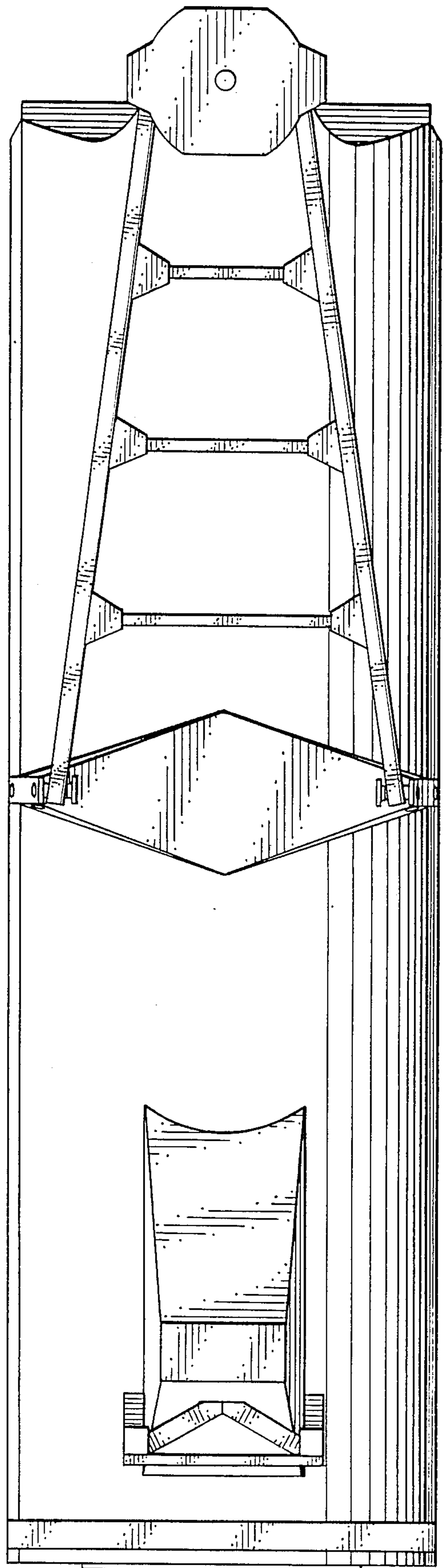


FIG. 3.

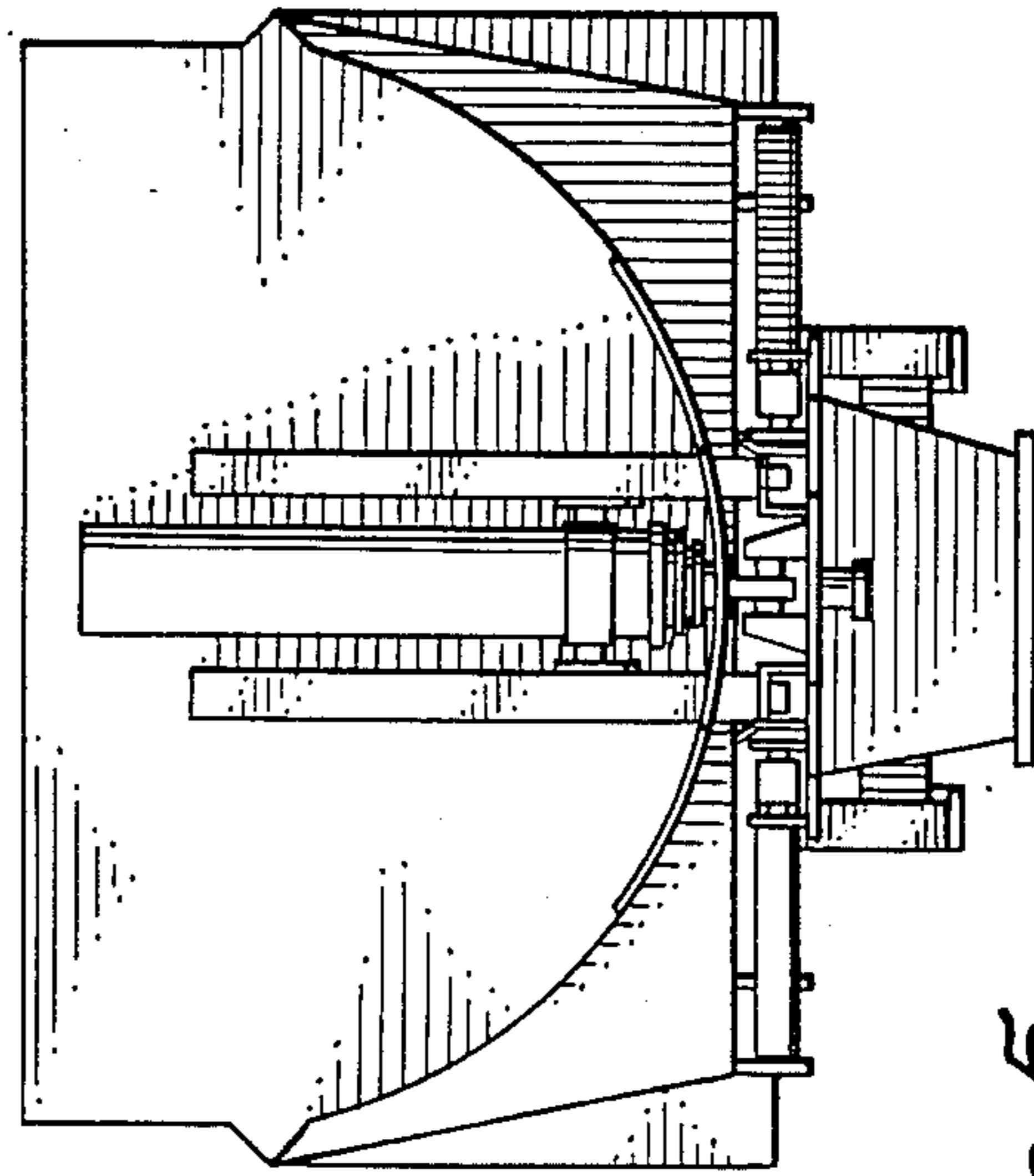
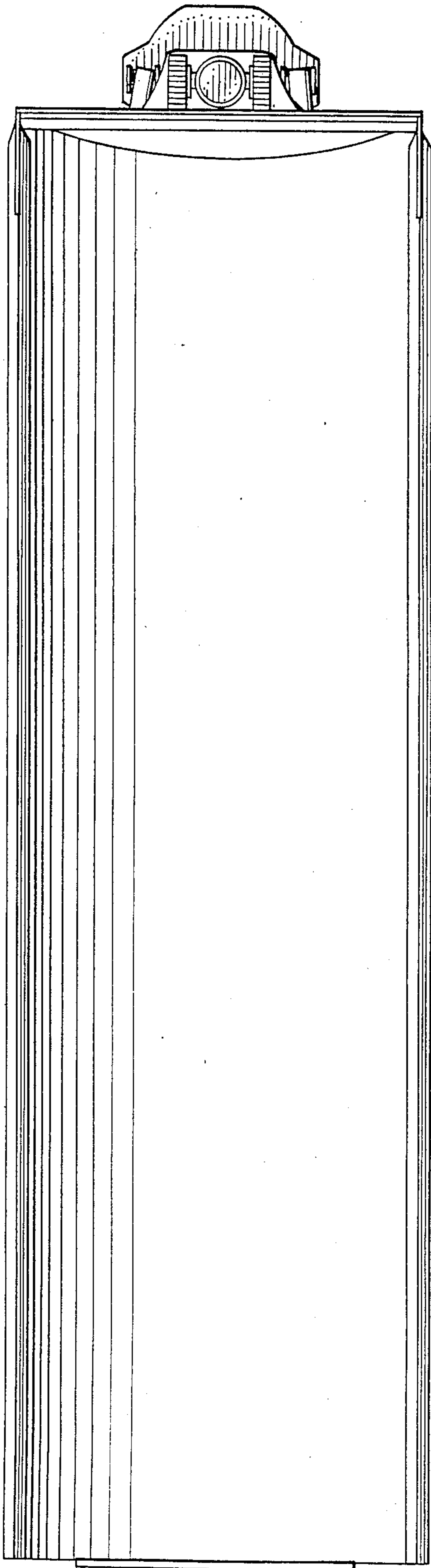


FIG. 5.

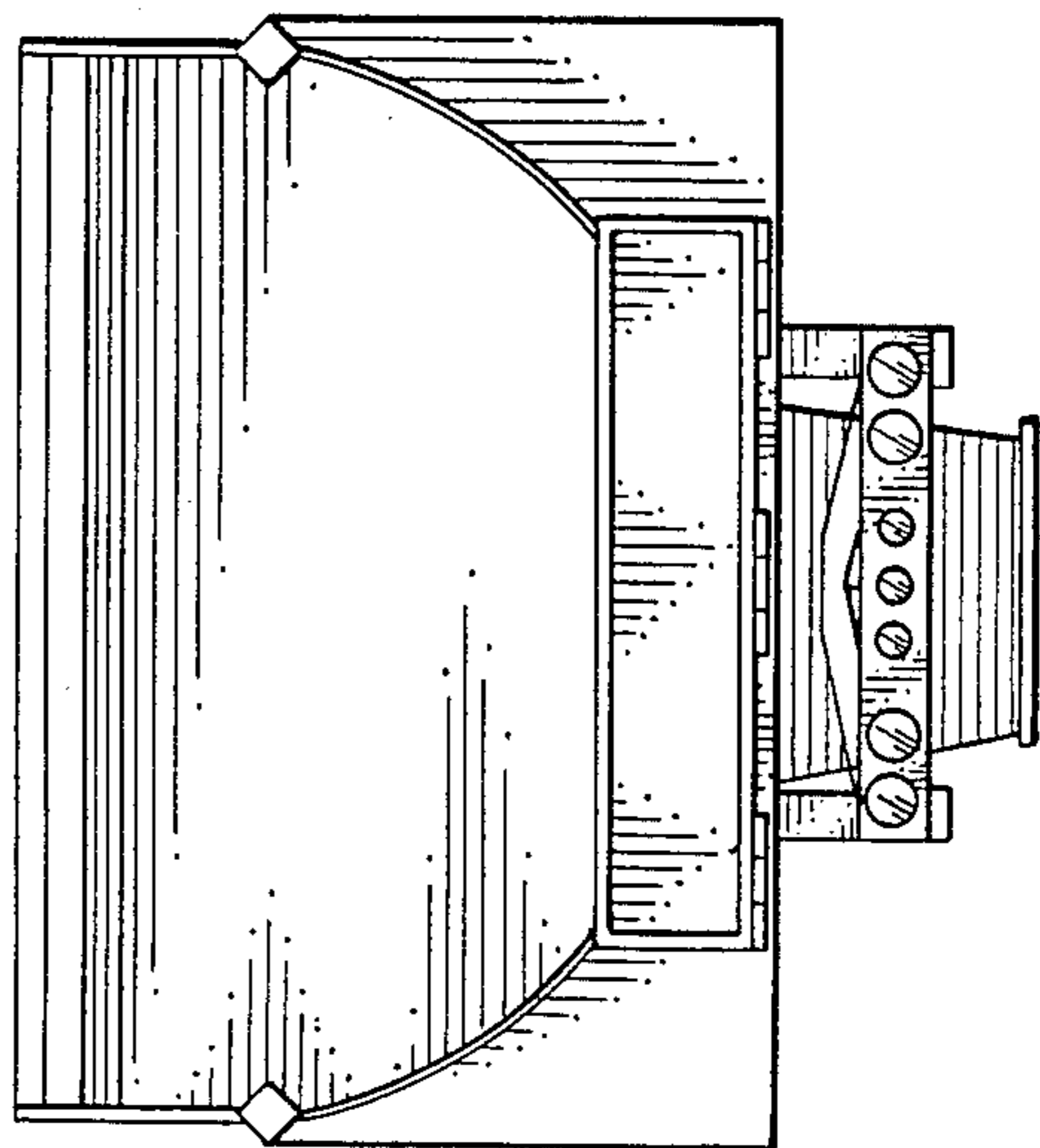


FIG. 4.