

[54] PRESSURE TRANSMITTER HOUSING

[75] Inventor: David W. Lee, Farmington, Minn.

[73] Assignee: Rosemount Inc., Eden Prairie, Minn.

[**] Term: 14 Years

[21] Appl. No.: 781,359

[22] Filed: Sep. 27, 1985

[52] U.S. Cl. D10/46

[58] Field of Search D10/46, 838, 86;
D23/233-237, 244-249; 73/431, 717-722, 756

[56] References Cited

U.S. PATENT DOCUMENTS

D. 277,831	3/1985	Bergstrom et al.	D10/46
D. 287,827	1/1987	Borden	D23/235
3,277,719	10/1966	Prell	73/722
3,564,923	2/1971	Nudd, Jr. et al.	73/722 X
4,198,867	2/1980	Olsen	73/717 X
4,466,290	8/1984	Friek	73/718 X

OTHER PUBLICATIONS

Publication, Foxboro advertisement, published Jul. of 1981.

Brochure, Kent Deutschland GmbH, publication date unknown.

Brochure, Kent Deltapi K, publication date unknown.

Brochure, Honeywell Instrumentation News, publication date unknown.

Brochure, entitled "The Rosemount 1151 Pressure Transmitter", publication date is (10/30/83) of Rosemount Inc.

Primary Examiner—James R. Largen

Attorney, Agent, or Firm—Kinney & Lange

[57] CLAIM

The ornamental design for a pressure transmitter housing, substantially as shown and described.

DESCRIPTION

FIG. 1 is a perspective view of a pressure transmitter housing embodying my new design;

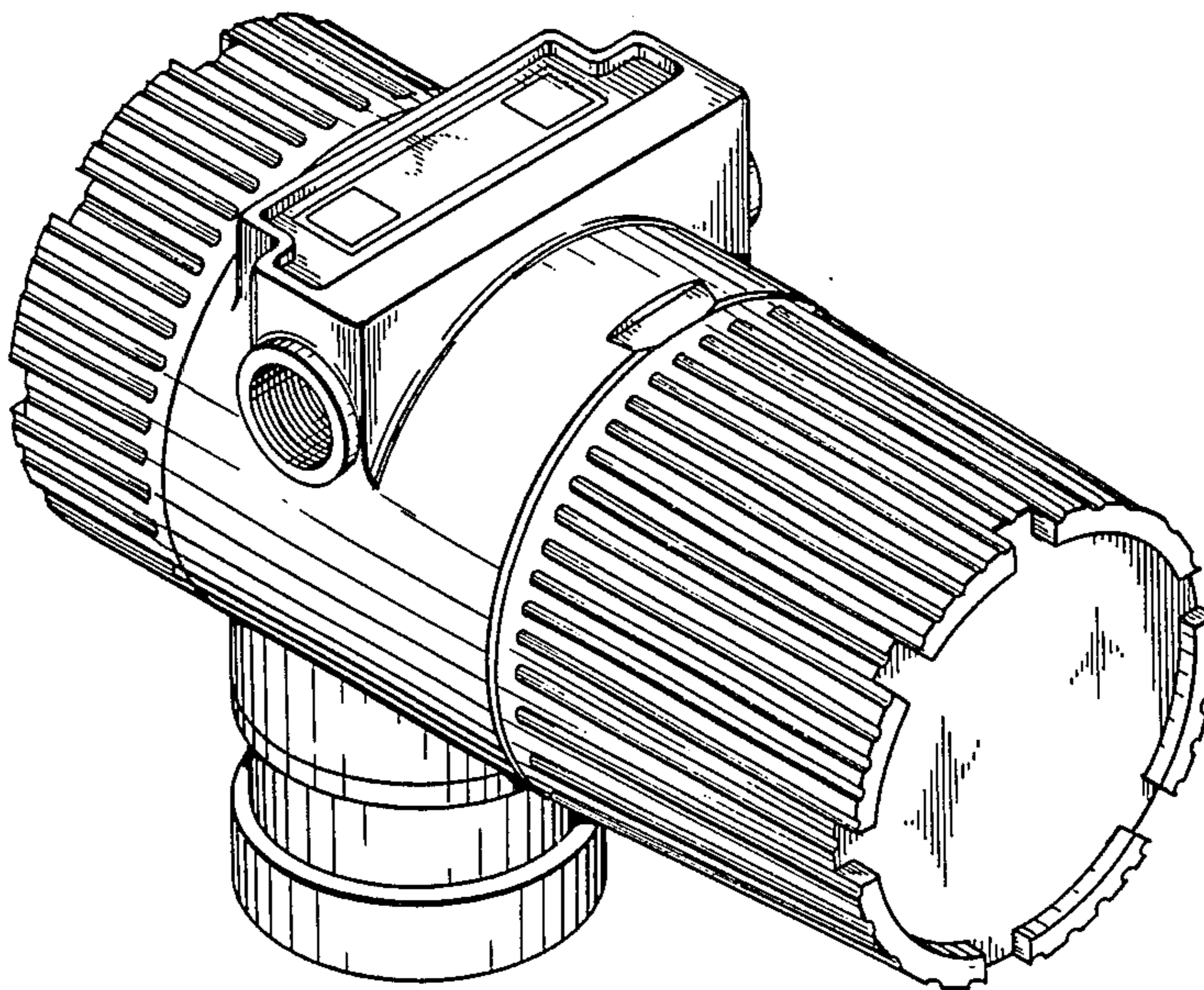
FIG. 2 is a top plan view thereof;

FIG. 3 is a bottom plan view thereof;

FIG. 4 is a left side elevational view thereof, the right side being a mirror image of the left side shown;

FIG. 5 is a front elevational view thereof; and

FIG. 6 is a rear elevational view thereof.



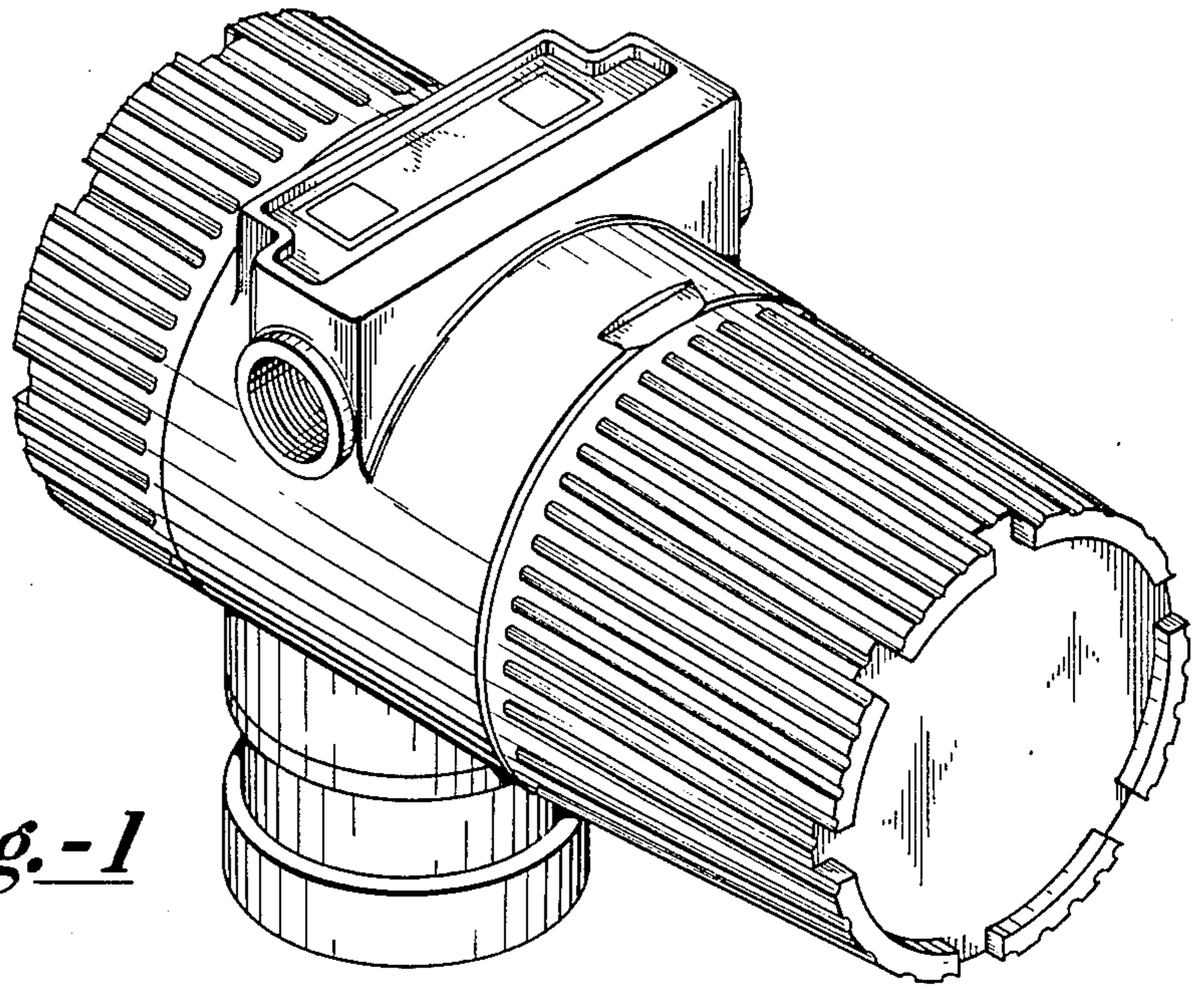


Fig. - 1

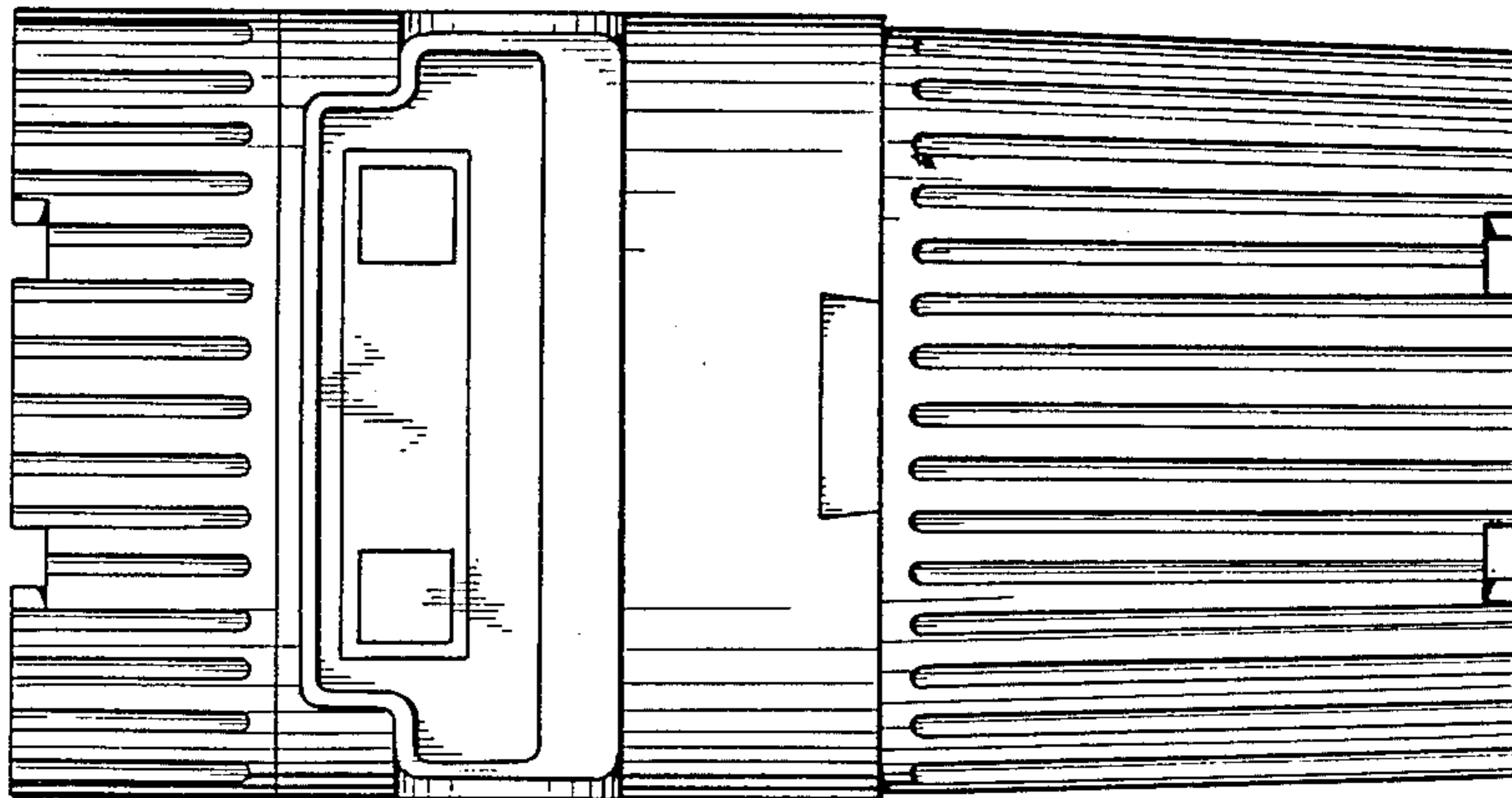


Fig. - 2

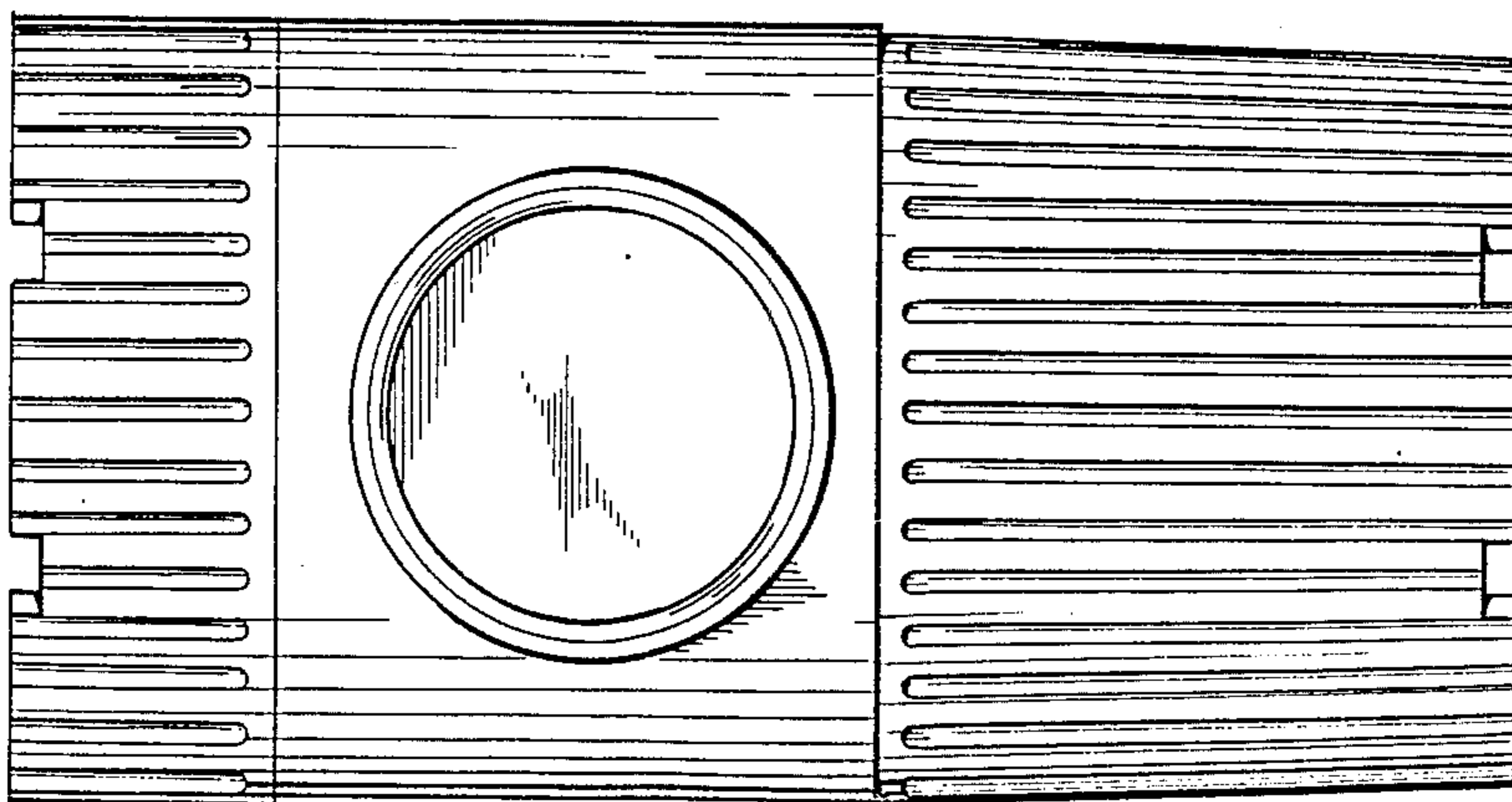


Fig. - 3

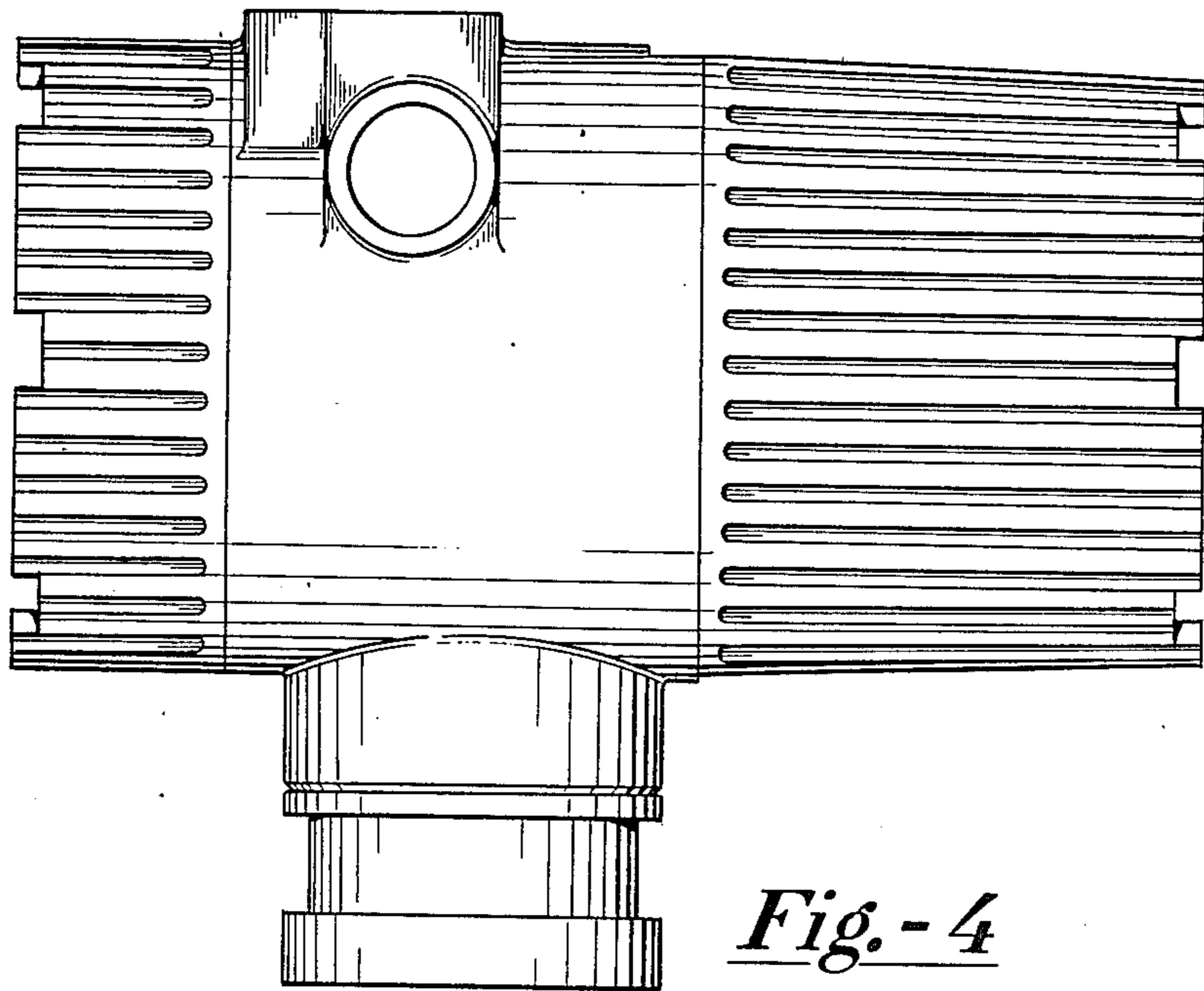


Fig. - 4

Fig. - 5

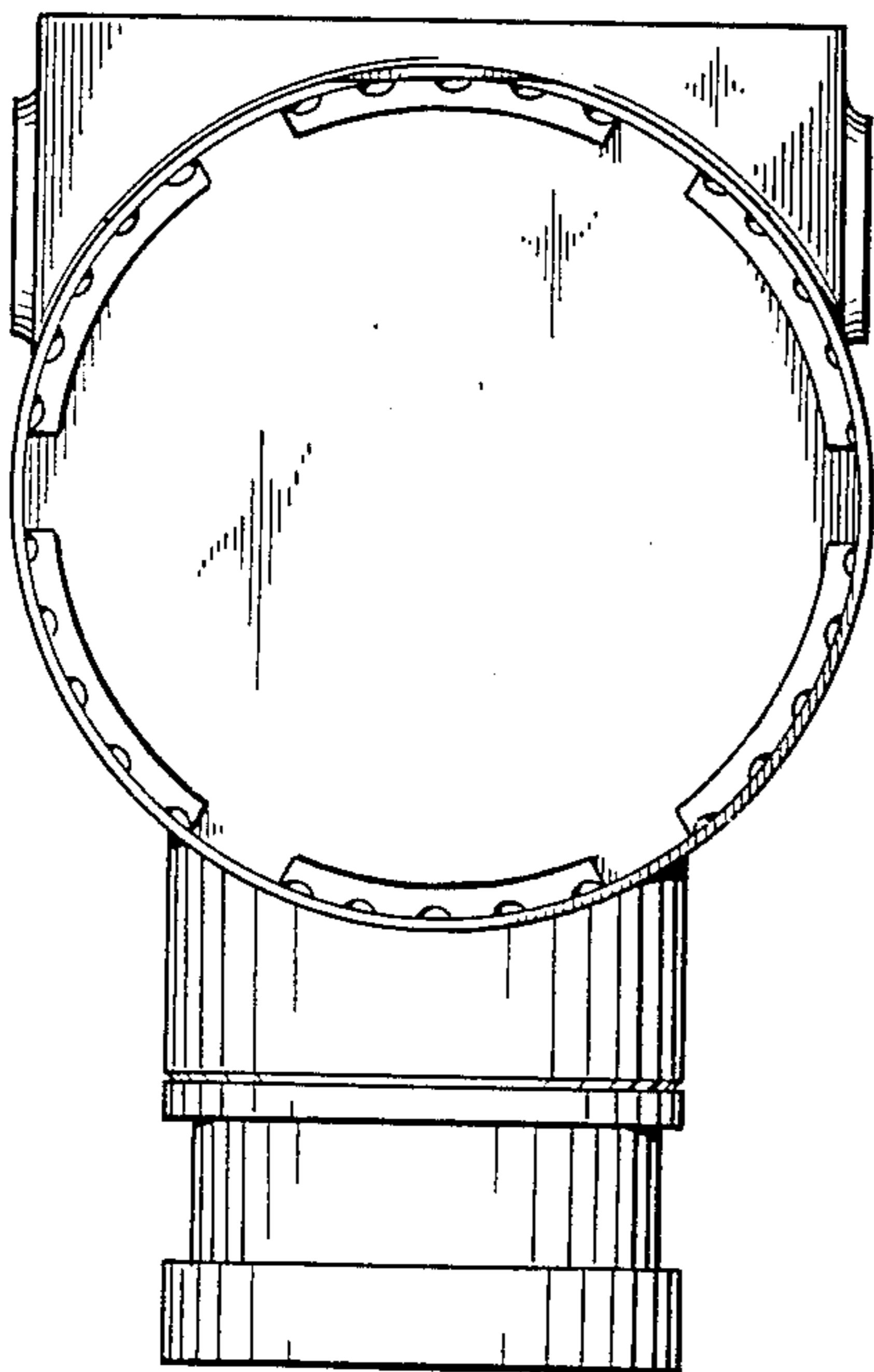


Fig. - 6

