

[54] **WRIST WATCH**

[75] **Inventor: Carlo Crocco, Lugano, Switzerland**

[73] **Assignee: Montres MDM SA, Genève, Switzerland**

[**] **Term: 14 Years**

[21] **Appl. No.: 803,569**

[22] **Filed: Dec. 2, 1985**

[30] **Foreign Application Priority Data**

Jun. 12, 1985 [XH] Hague DN/005 390

[52] **U.S. Cl. D10/32**

[58] **Field of Search D10/30-39,
D10/122-126; 368/285, 280-282, 276-277;
D11/5, 19, 24**

[56] **References Cited**

U.S. PATENT DOCUMENTS

D. 195,421 6/1963 Huguenin D10/39

D. 243,318 2/1977 Kurihara D10/38 X

OTHER PUBLICATIONS

European Jeweler-2/83-p. 87-Watches.

*European Jeweler-4/83-p. 189-Watch.
European Jeweler-6/84-p. 34-Watch at top-left.
Form-3/85-p. 32-All Watches & Bands.*

*Primary Examiner—Nelson C. Holtje
Attorney, Agent, or Firm—McGlew and Tuttle*

[57] **CLAIM**

The ornamental design for a wrist watch, as described and shown.

DESCRIPTION

FIG. 1 is a front perspective view of wrist watch with the band latch in the open position;
FIG. 2 is a rear perspective view thereof;
FIG. 3 is a front elevational view thereof;
FIG. 4 is a rear elevational view thereof with the band latch in a closed position;
FIG. 5 is a rear elevational view thereof with portions of the band shown broken-away for ease of illustration;
FIG. 6 is an end perspective view thereof with the band latch in the closed position;
FIG. 7 is a side perspective view thereof with the band latch in the closed position, the other side being a mirror image thereto;
FIG. 8 is an end perspective view opposite that of FIG. 6 with the band latch in a closed position.

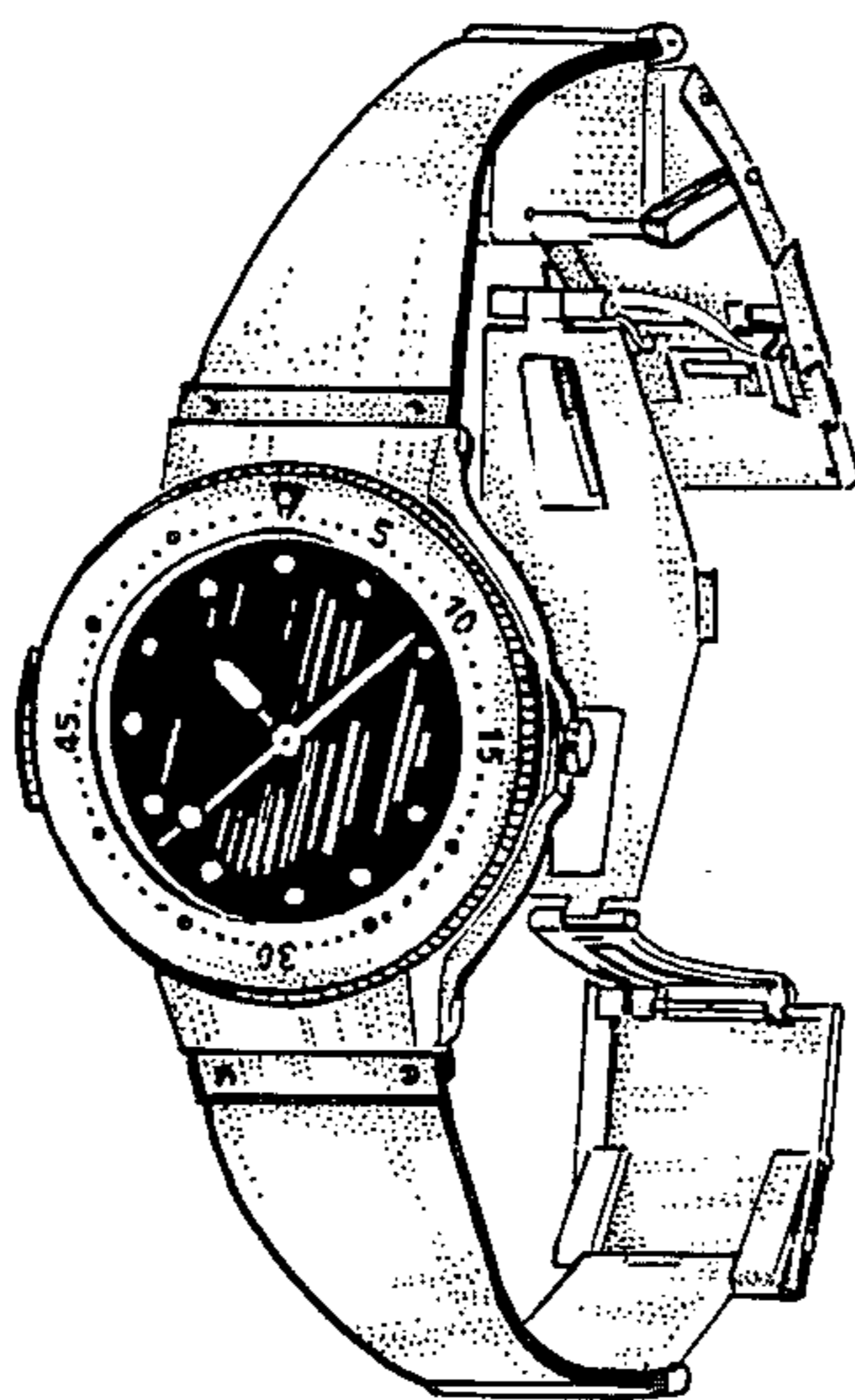


Fig. 1

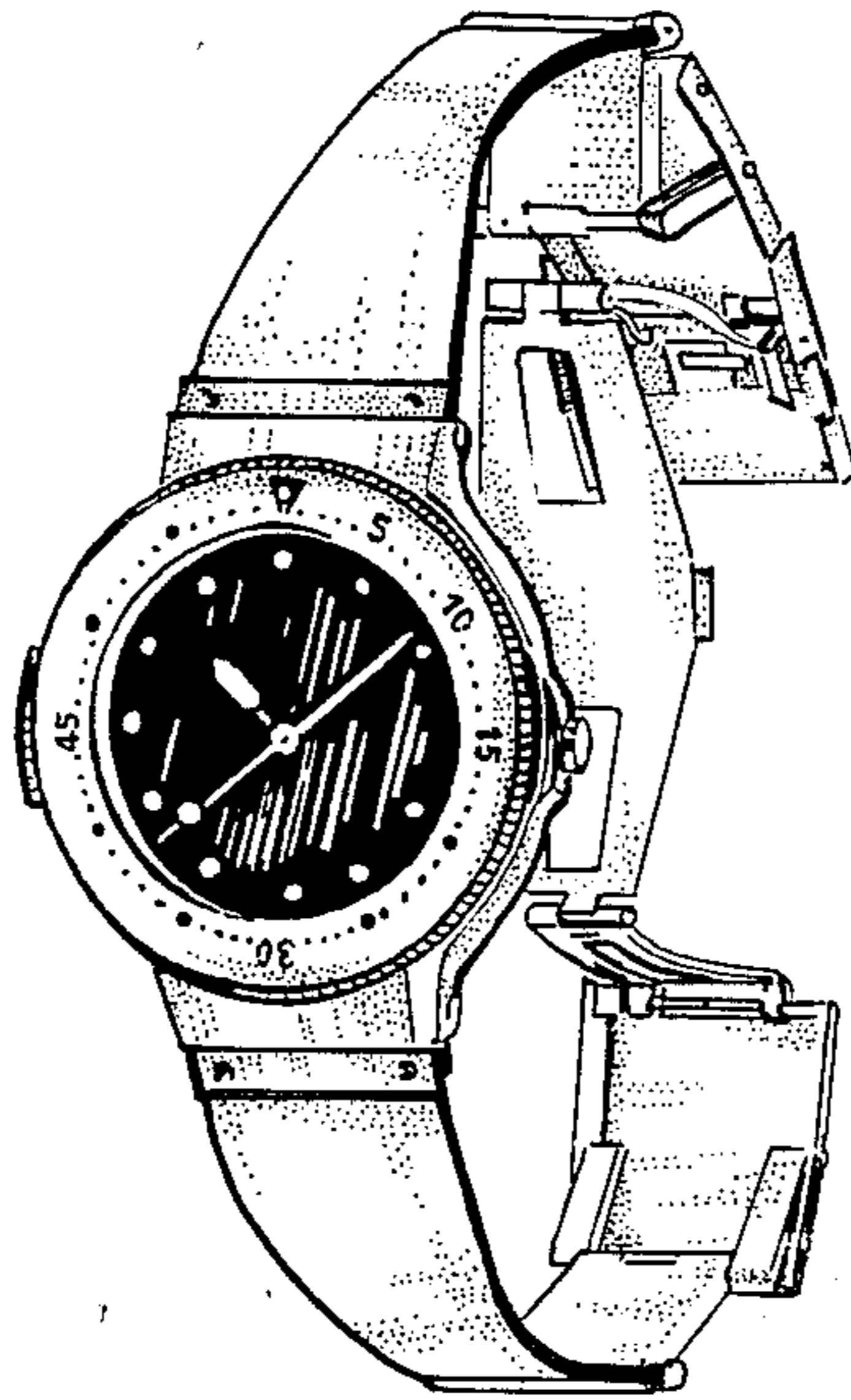


Fig. 3

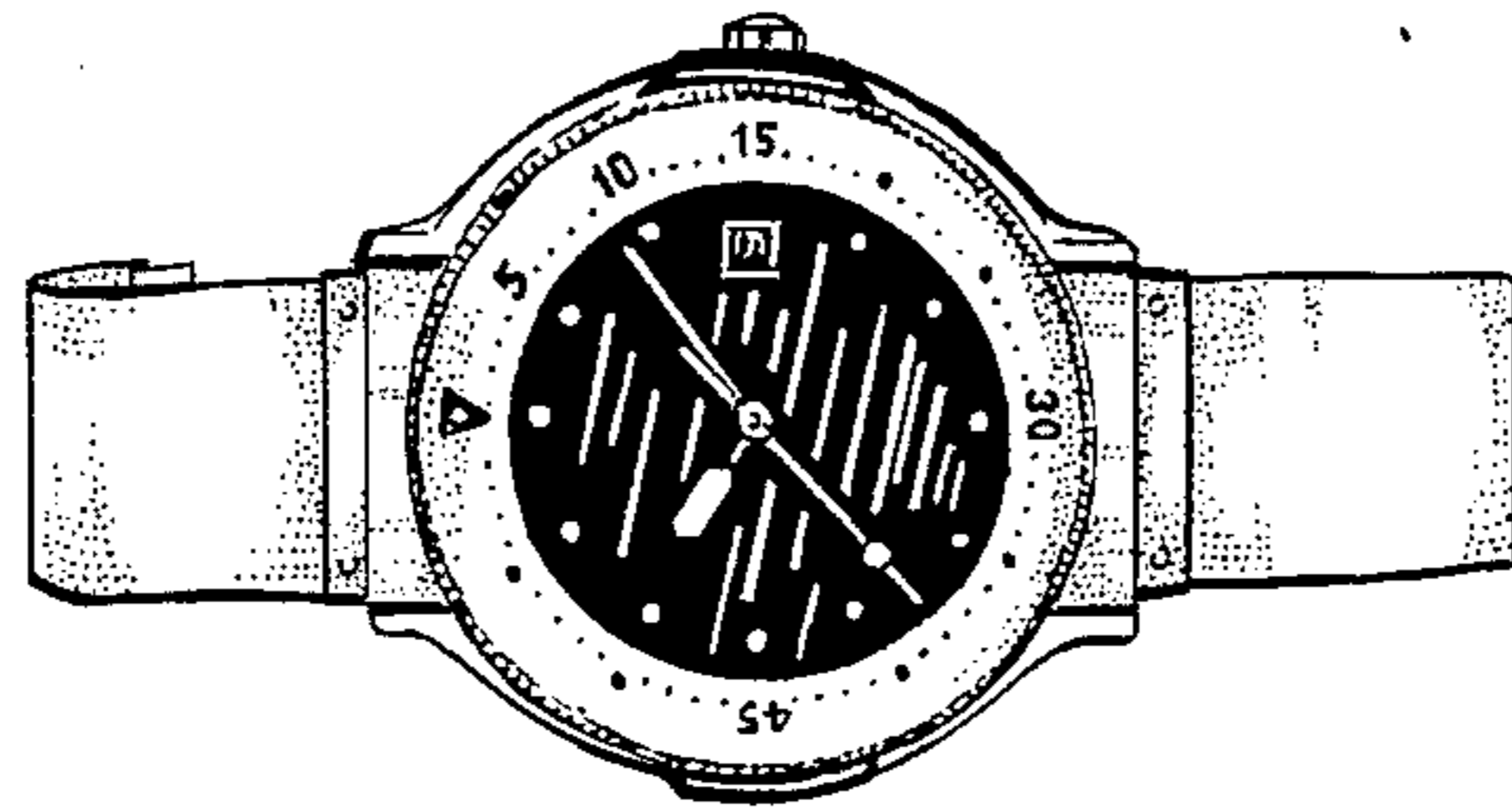


Fig. 2

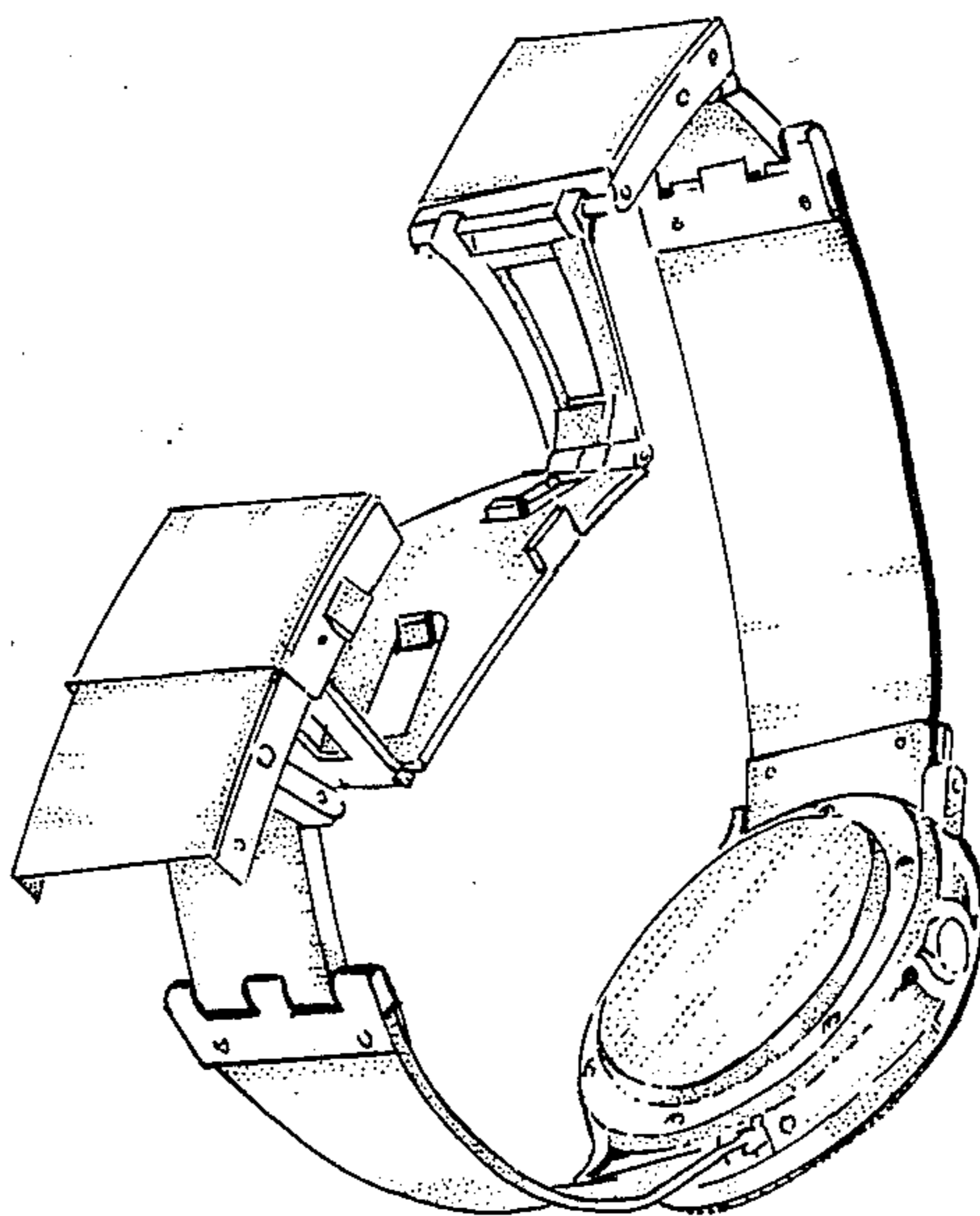


Fig. 4

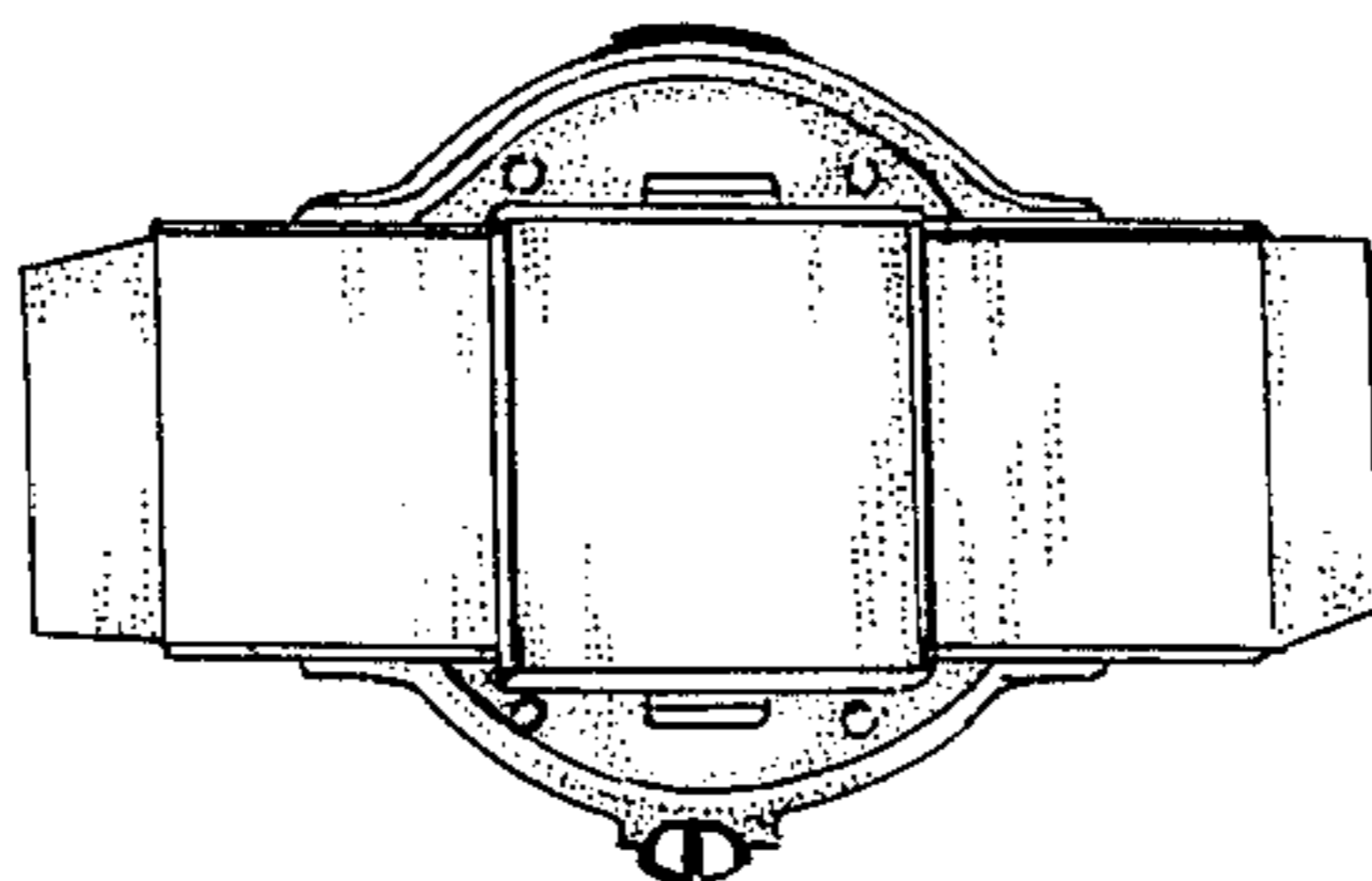


Fig. 5

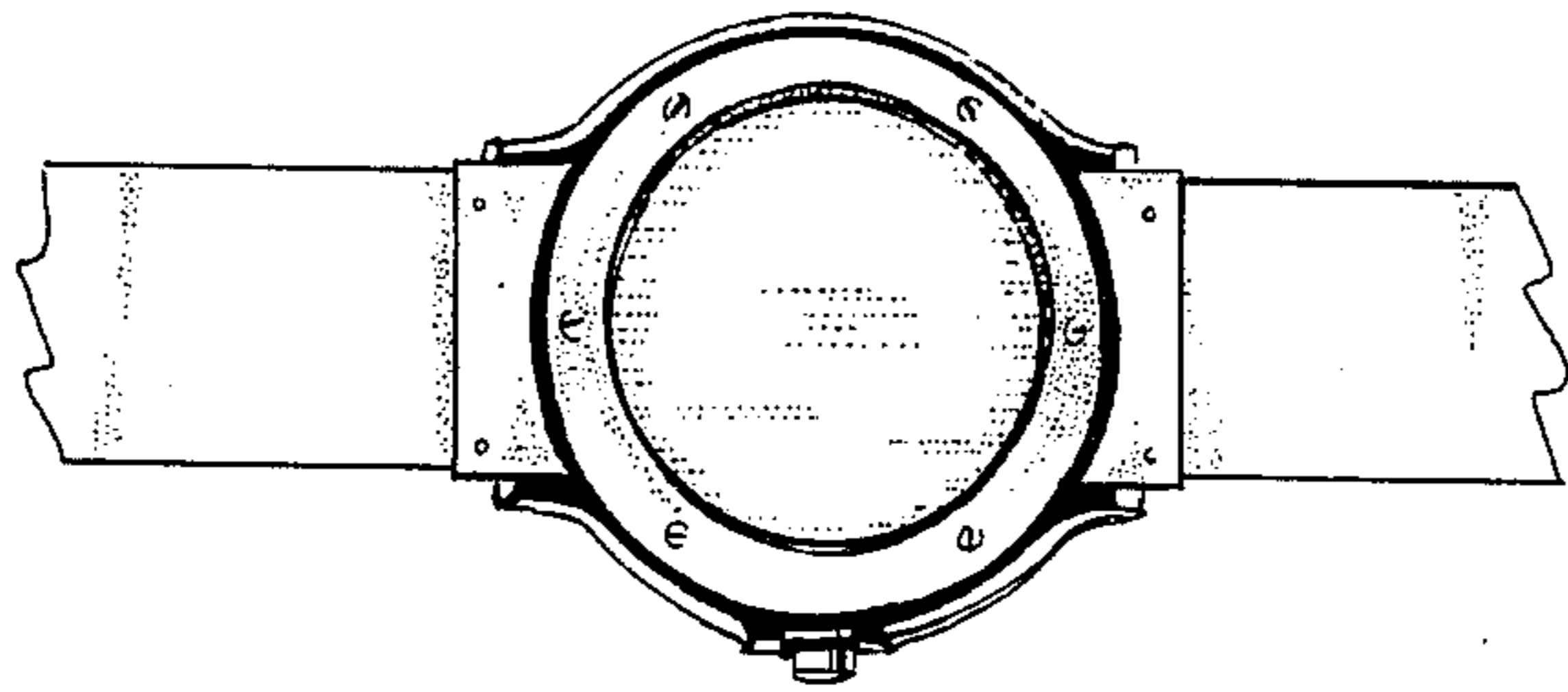


Fig. 6

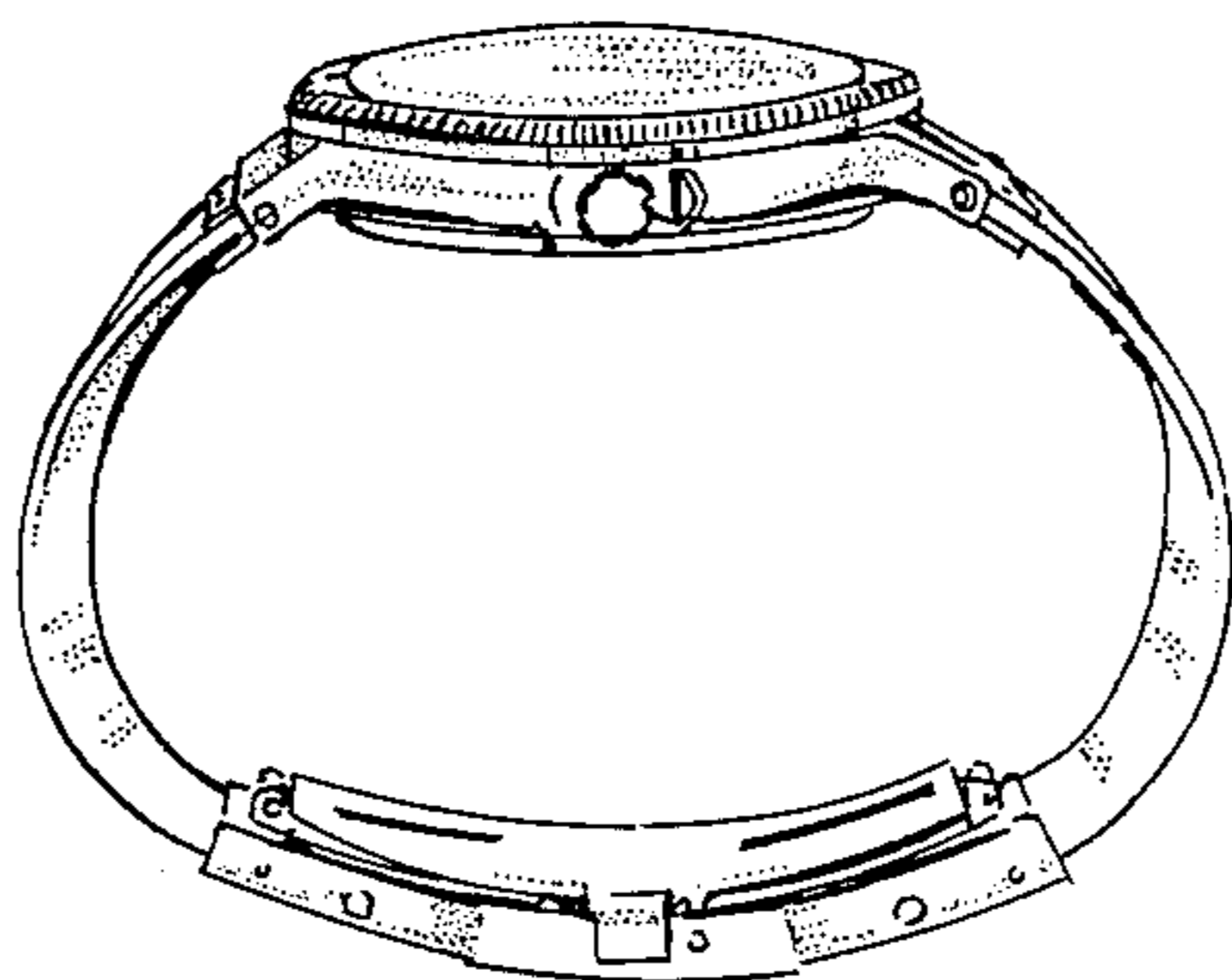


Fig. 7

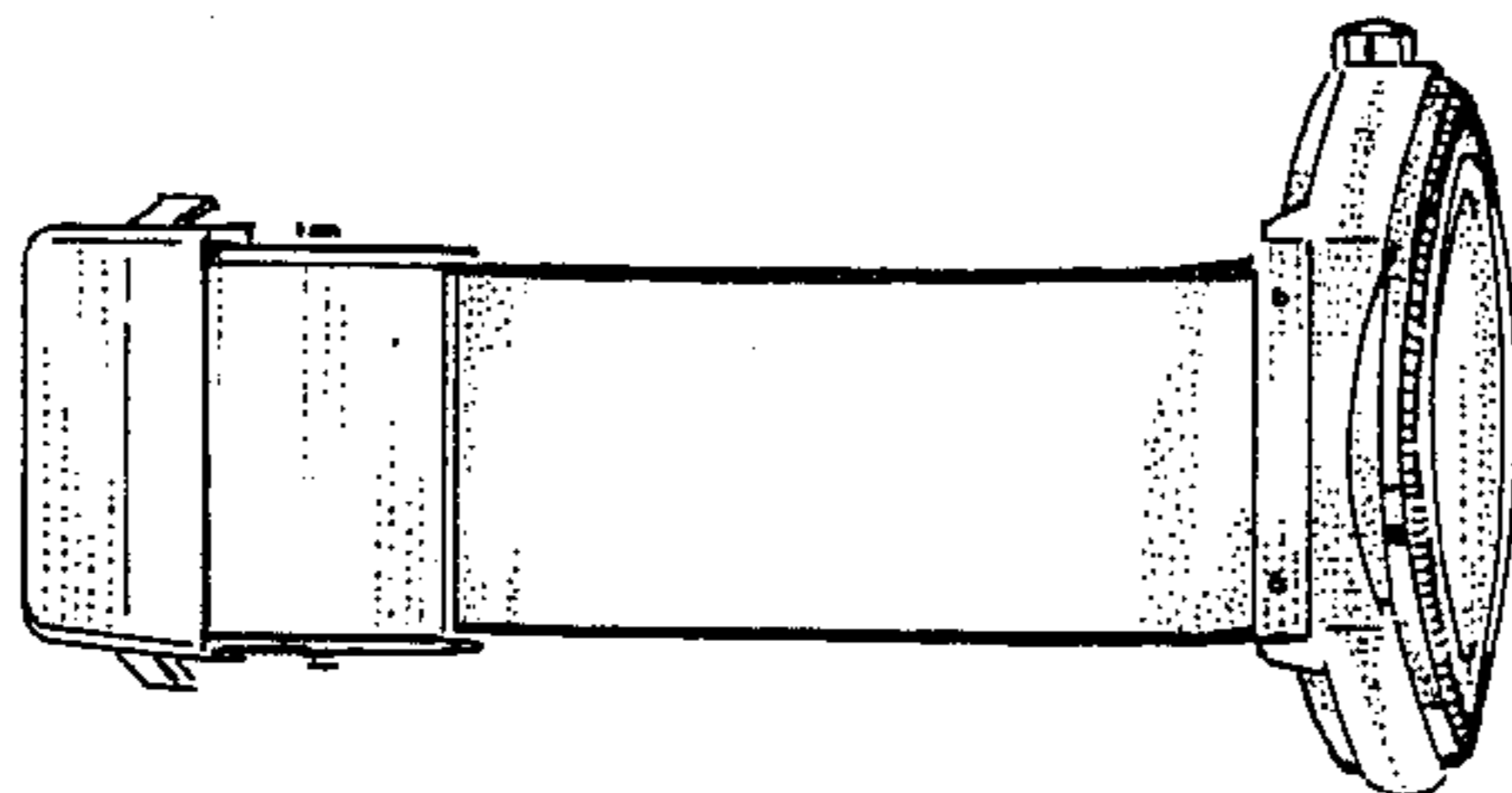


Fig. 8

