

[54] **COMBINED CAN END AND PULL TAB CLOSURE**
[75] Inventor: Andrzej J. J. Juty, Harrow, England
[73] Assignee: Metal Box p.l.c., Reading, England
[**] Term: 14 Years
[21] Appl. No.: 776,137
[22] Filed: Sep. 13, 1985
[30] Foreign Application Priority Data
Mar. 15, 1985 [GB] United Kingdom 1025581
[52] U.S. Cl. D9/438
[58] Field of Search 220/66, 265, 266, 269,
220/270, 272, 273; D9/434, 368, 438

[56] **References Cited**
U.S. PATENT DOCUMENTS
D. 202,939 11/1965 Frazee D9/438
D. 215,087 9/1969 Markert D9/438
D. 218,961 10/1970 Kennedy D9/438
D. 224,209 7/1972 Kinkel et al. D9/438

D. 239,256 3/1976 Brincks et al. D9/438
D. 246,157 10/1977 Kocour et al. D9/438
D. 289,017 3/1987 Spangler et al. D9/438

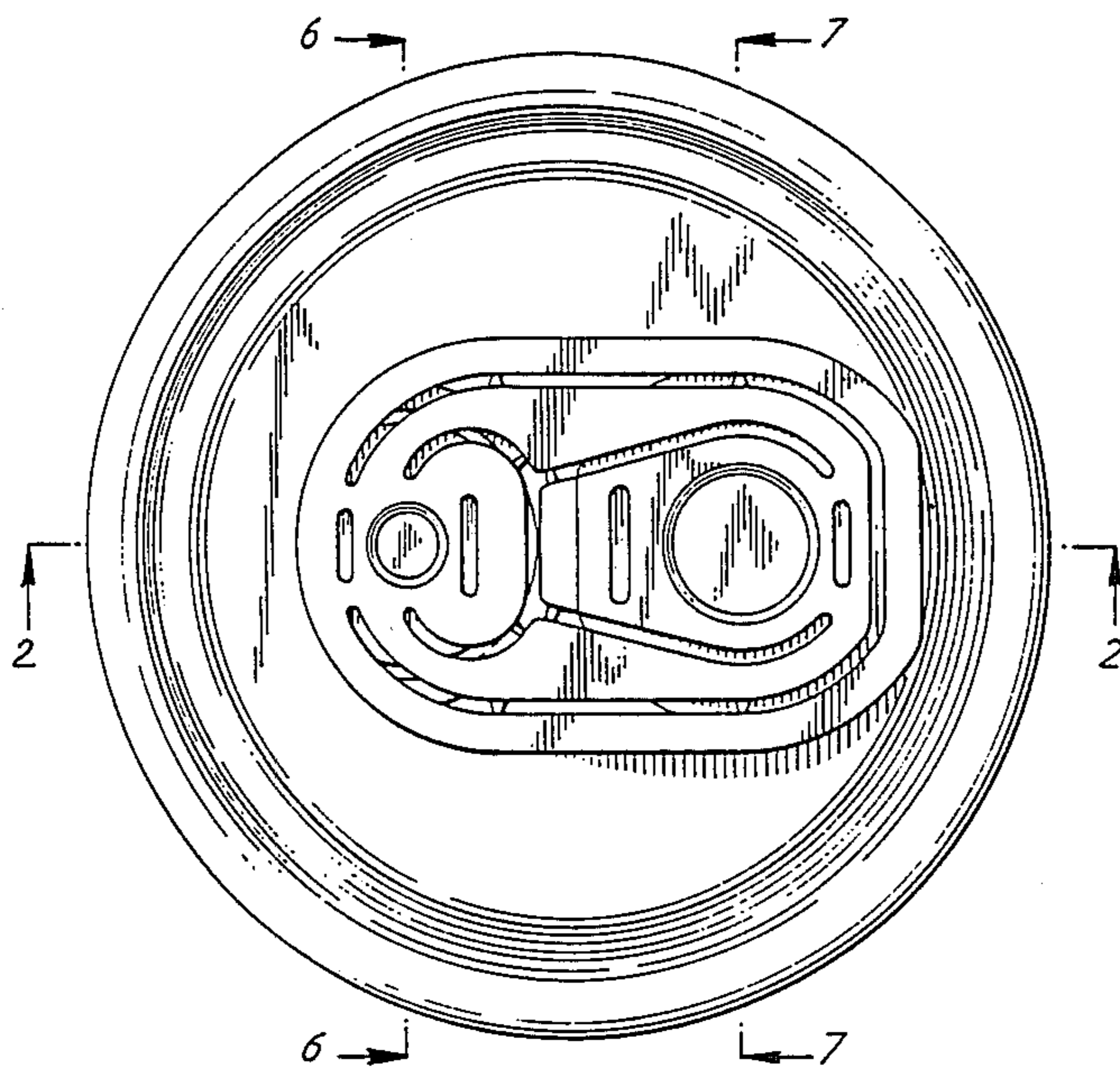
Primary Examiner—Robert C. Spangler
Attorney, Agent, or Firm—Diller, Ramik & Wight

[57] **CLAIM**

The ornamental design for a combined can end and pull tab closure, as shown.

DESCRIPTION

FIG. 1 is a top plan view of a combined can end and pull tab closure showing my new design;
FIG. 2 is a sectional view taken on the line 2—2 of FIG. 1;
FIG. 3 is a sectional view also along the line 2—2 of FIG. 1 but with the pull tab closure shown in elevation;
FIG. 4 is a side elevational view;
FIG. 5 is a bottom plan view;
FIG. 6 is a sectional view taken on the line 6—6 of FIG. 1; and
FIG. 7 is a sectional view taken on the line 7—7 of FIG. 1 with the pull tab closure shown in elevation.



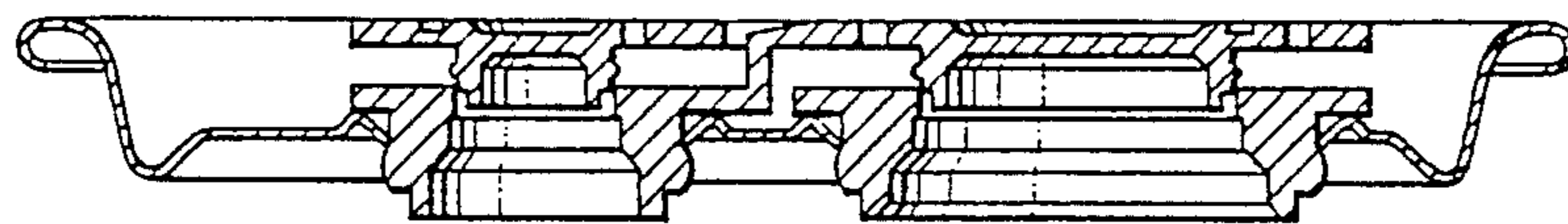
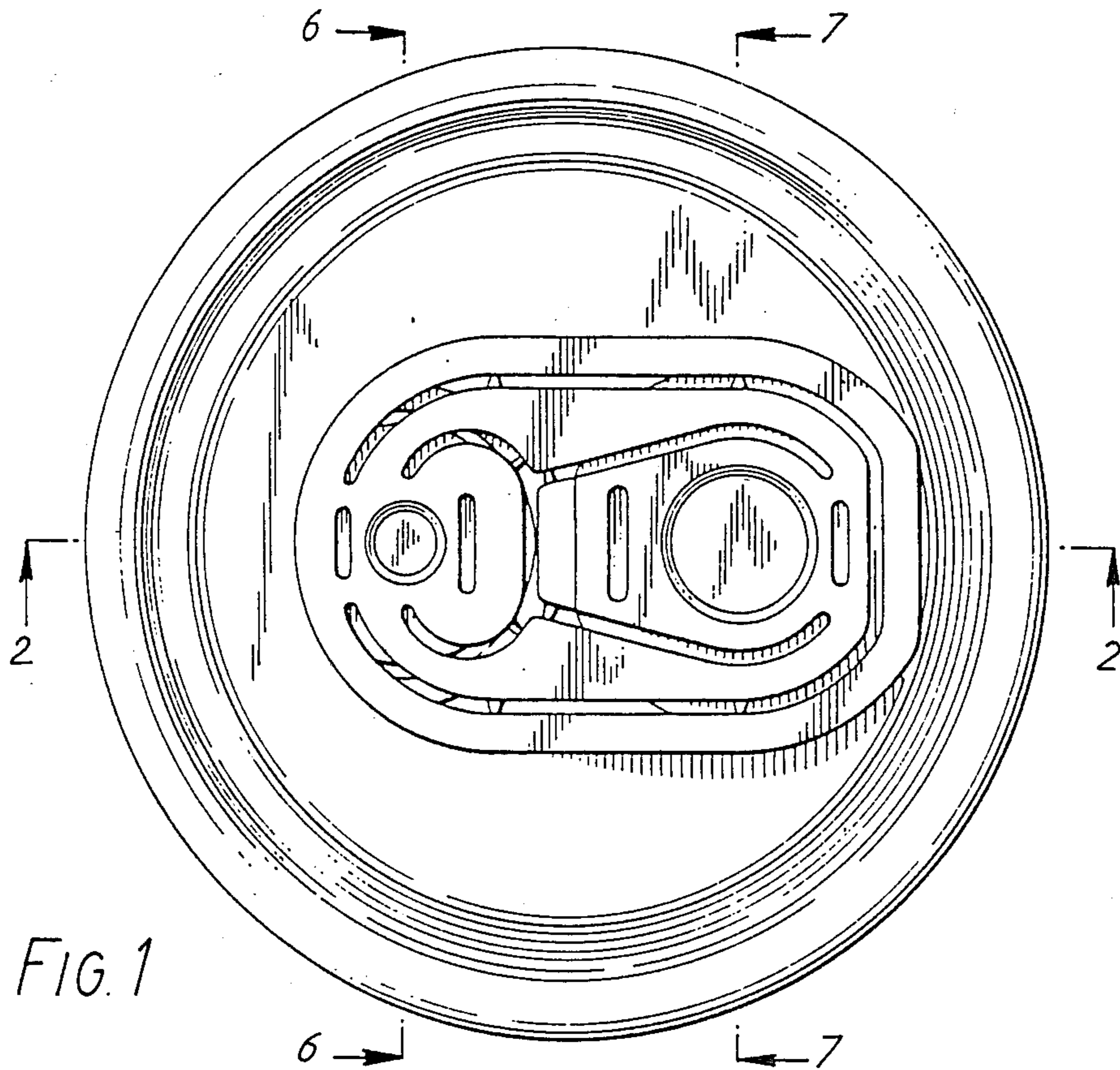


FIG. 2

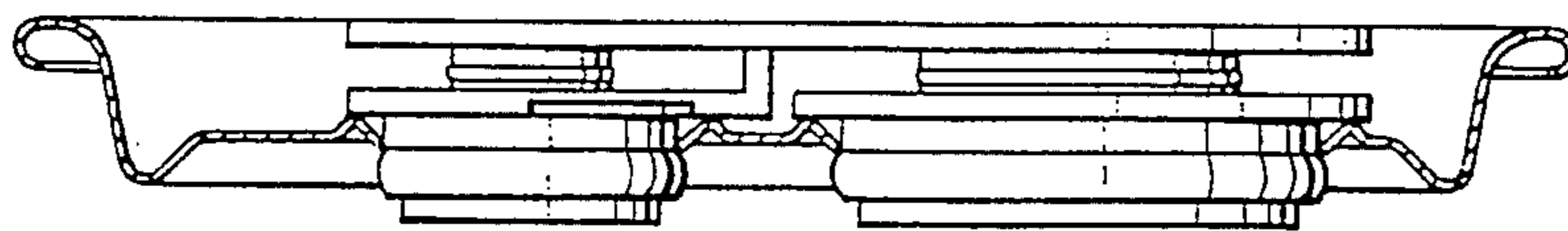


FIG. 3

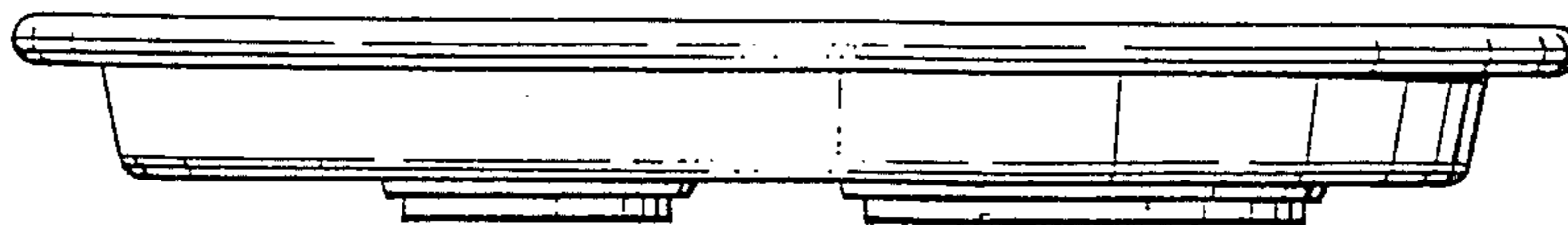


FIG. 4

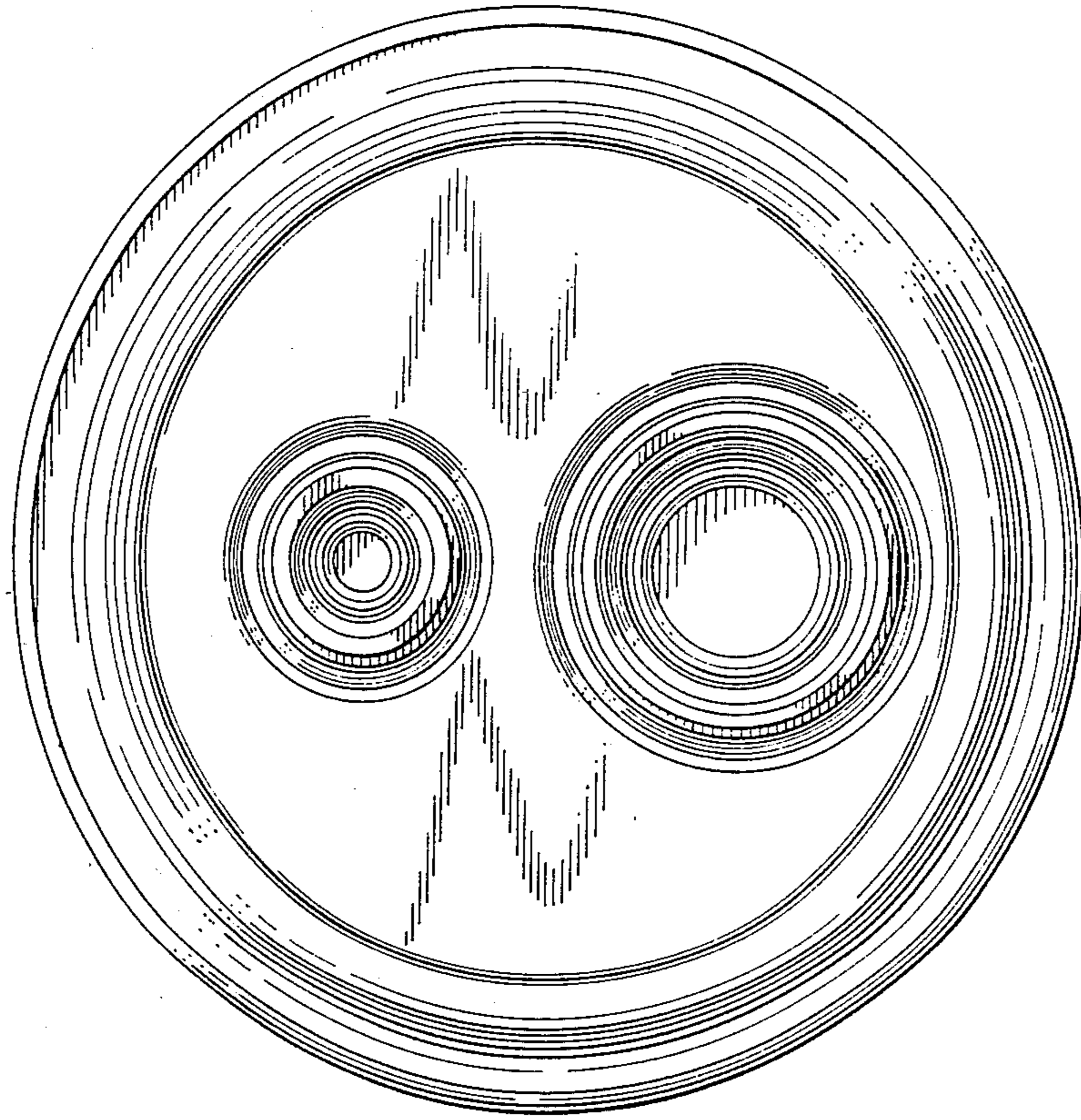


FIG. 5



FIG. 6

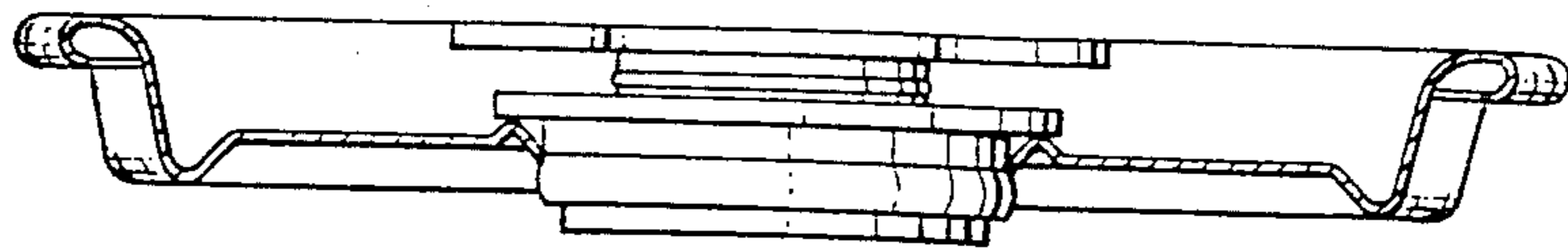


FIG. 7