

[54] **COMBINED CONTAINER AND LID**

[75] **Inventor: Adrien P. Rayner, Iver, England**
[73] **Assignee: Metal Box P.L.C., Reading, England**

[**] **Term: 14 Years**

[21] **Appl. No.: 764,736**

[22] **Filed: Aug. 12, 1985**

[30] **Foreign Application Priority Data**

Feb. 12, 1985 [GB] United Kingdom 1024978

[52] **U.S. Cl. D9/399**

[58] **Field of Search D9/349, 352, 355, 390,
D9/399, 379, 434, 435; D32/53, 53.1, 54;
229/1.5 B, 1.5 R, 4.5, 5.5, 5.7; 220/1 R**

[56] **References Cited**

U.S. PATENT DOCUMENTS

- D. 15,847 2/1885 Walsh D9/379
- D. 199,278 9/1964 Douglas D9/379
- D. 220,316 3/1971 Bardell D9/379

- D. 220,847 6/1971 Holcroft et al. D9/379 X
- D. 265,176 6/1982 Bock D9/355 X
- D. 276,139 10/1984 Rayner D9/352
- D. 277,646 2/1985 Jorgensen D9/355 X
- D. 278,800 5/1985 Bowen et al. D9/352 X
- D. 287,824 1/1987 Rayner D9/349 X

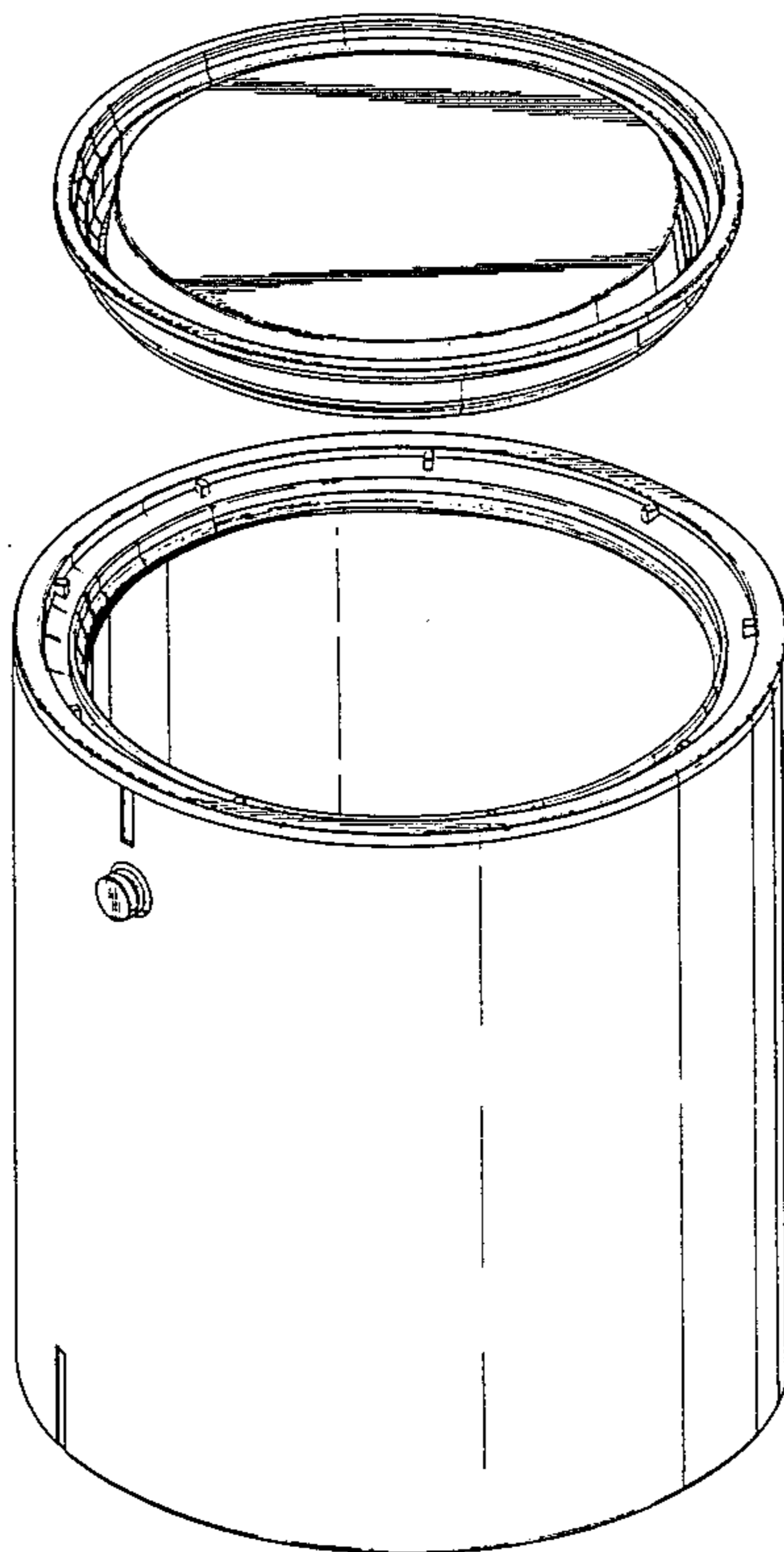
Primary Examiner—Robert C. Spangler
Attorney, Agent, or Firm—Burns, Doane Swecker & Mathis

[57] **CLAIM**

The ornamental design for a combined container and lid, as shown.

DESCRIPTION

FIG. 1 is an exploded top perspective view of a combined container and lid showing my new design; FIG. 2 is an exploded bottom perspective view; FIG. 3 is an exploded side elevational view; FIG. 4 is an exploded vertical sectional view taken on the line 4—4 of FIG. 3; and, FIG. 5 is an exploded bottom perspective view partly broken away.



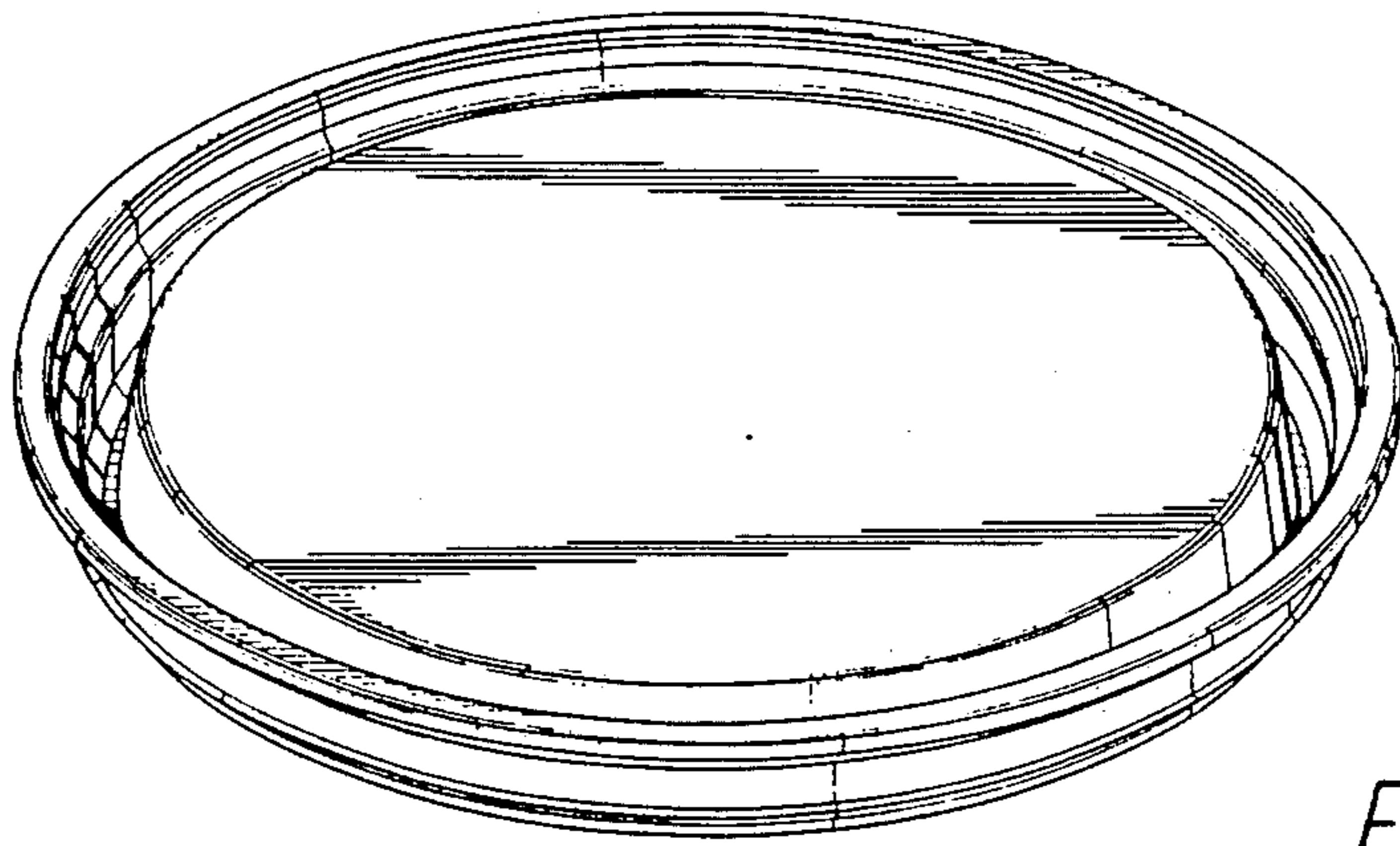
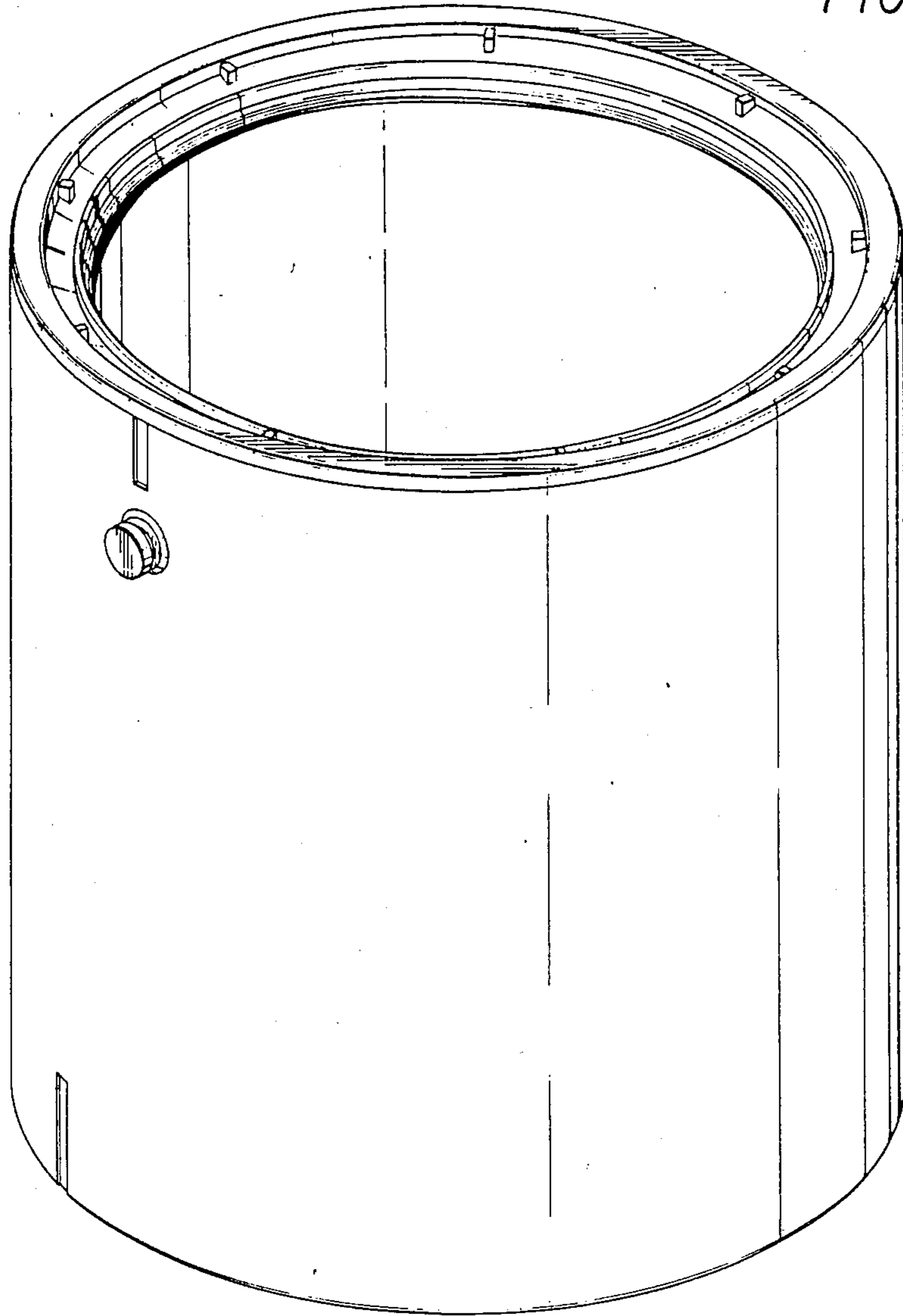


FIG. 1



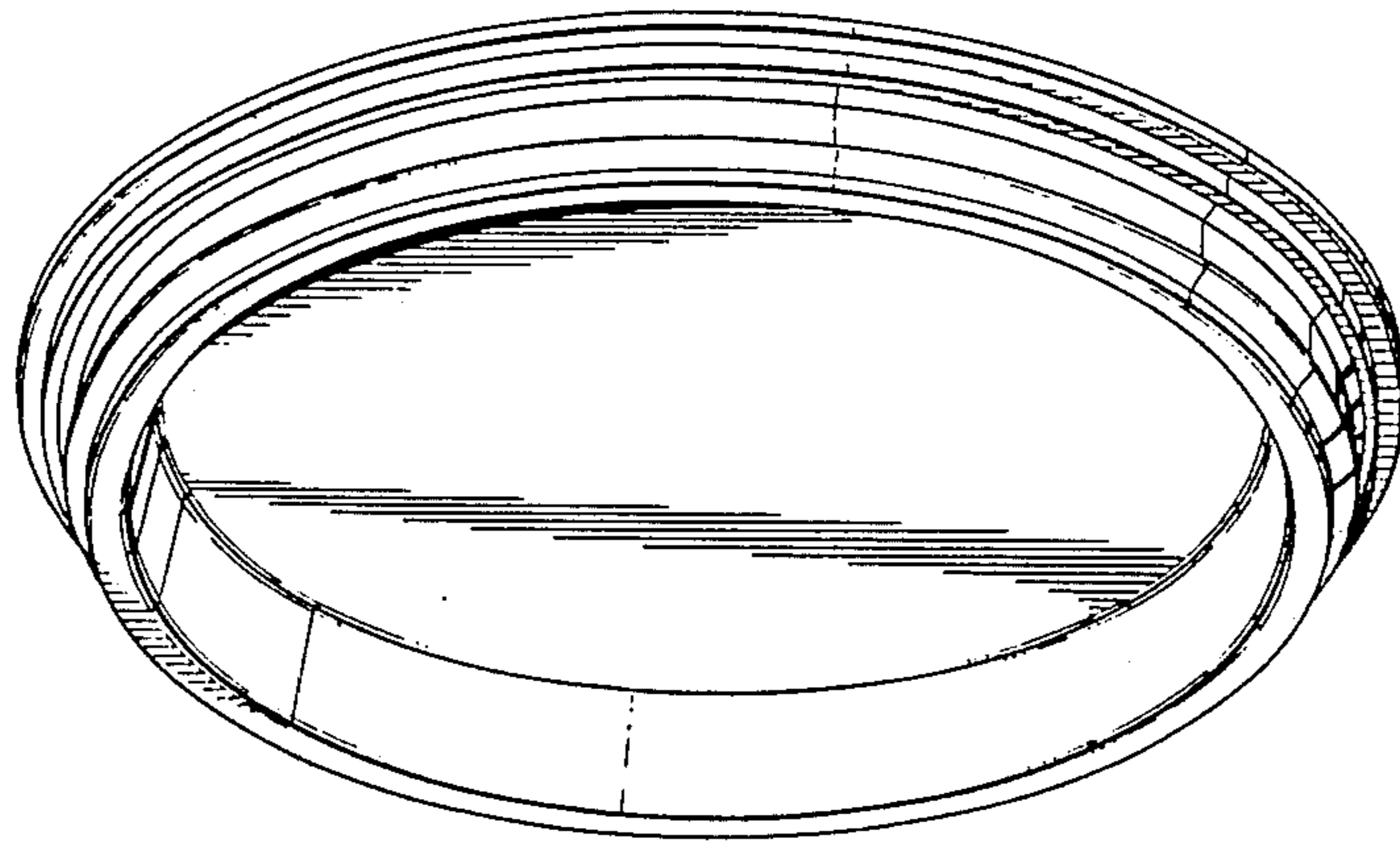


FIG. 2

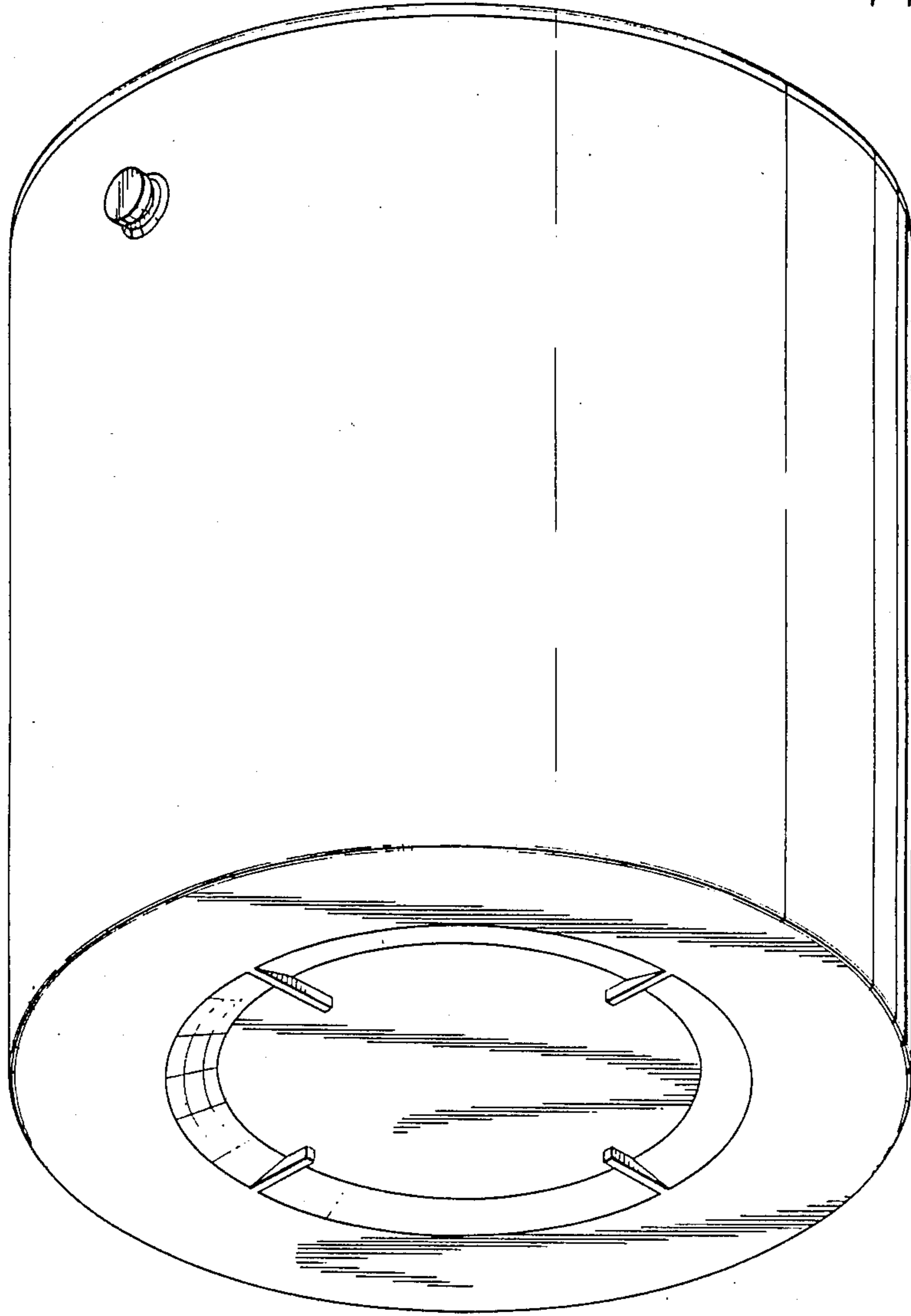


FIG. 3

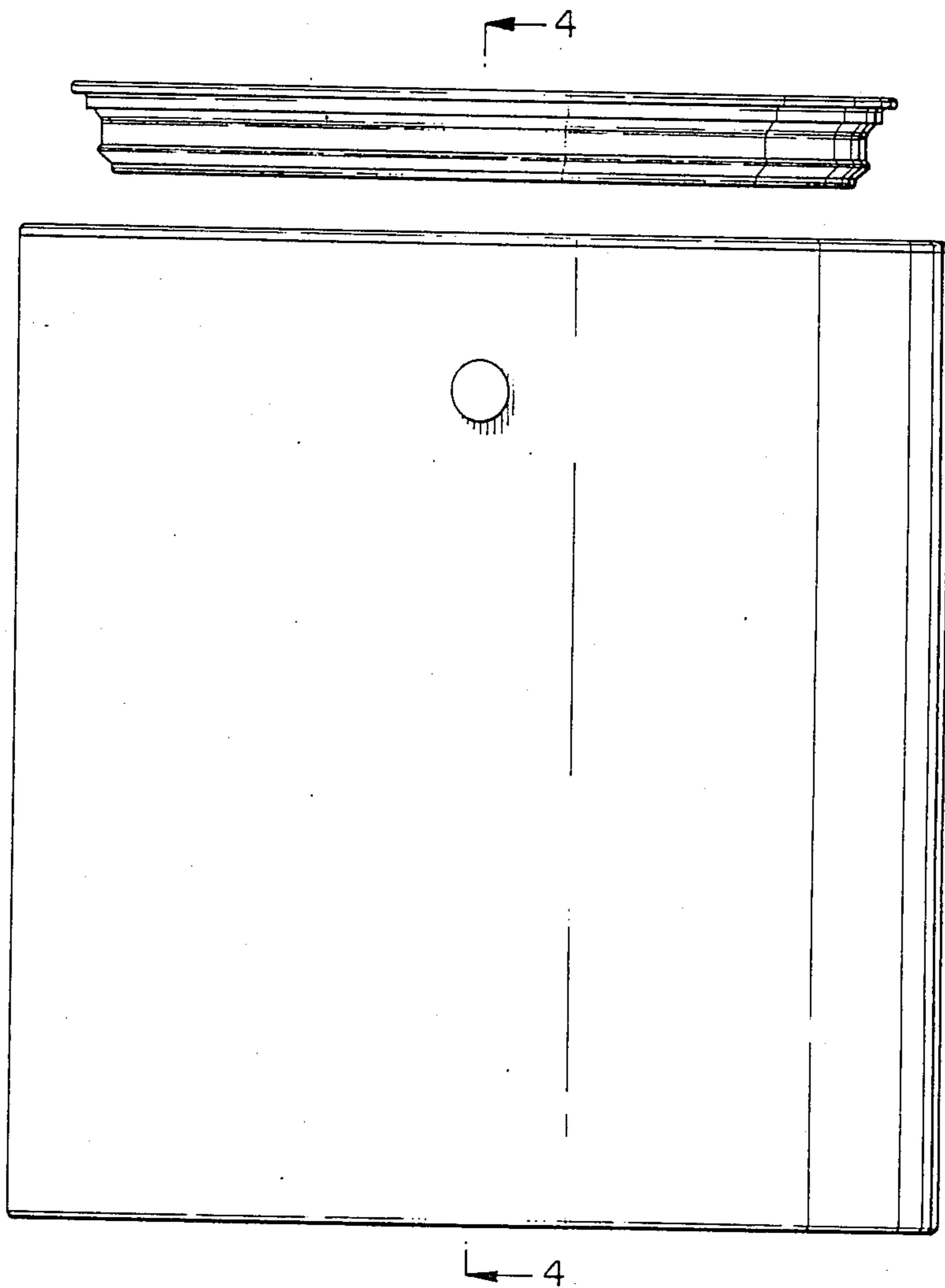
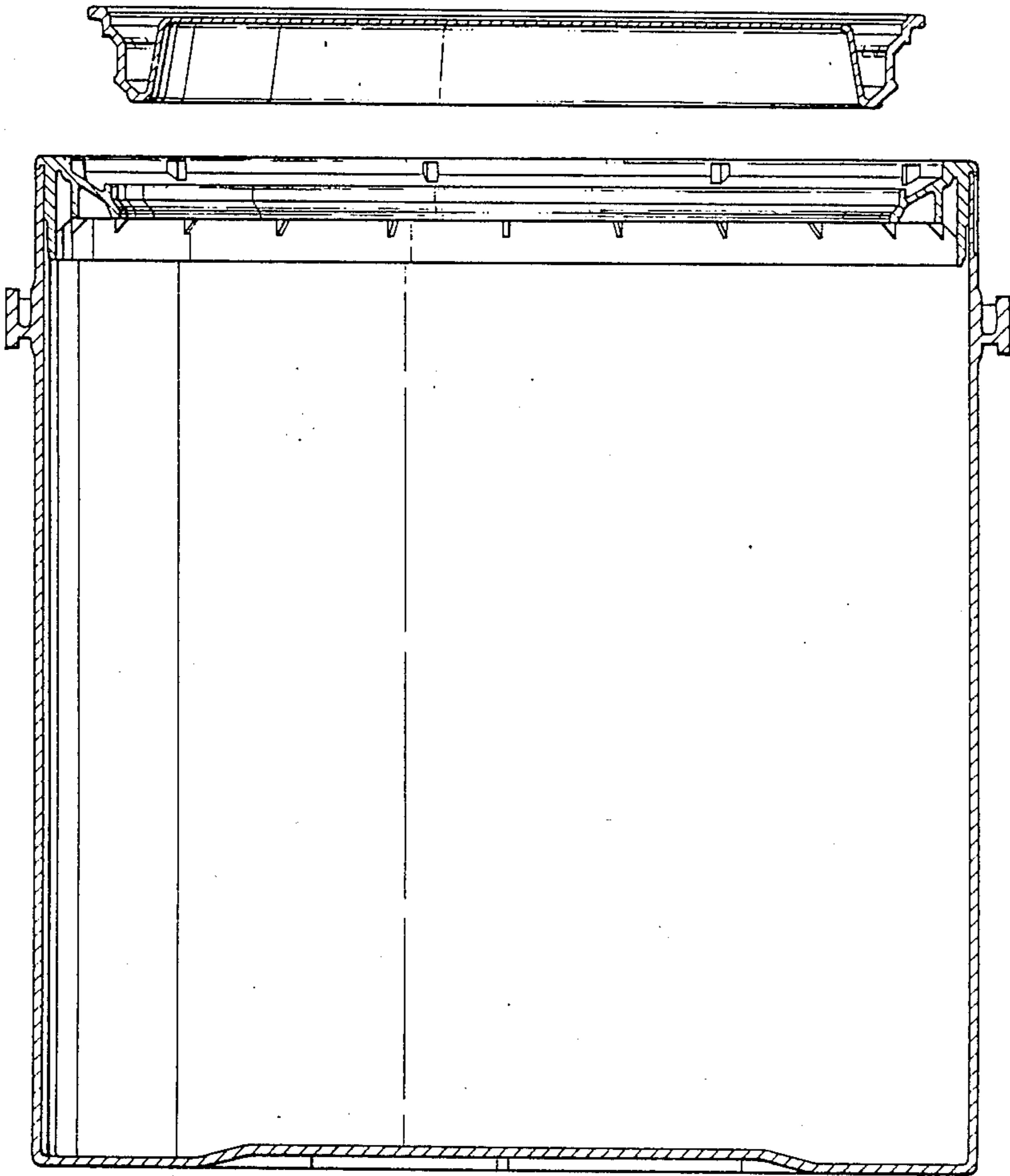


FIG. 4



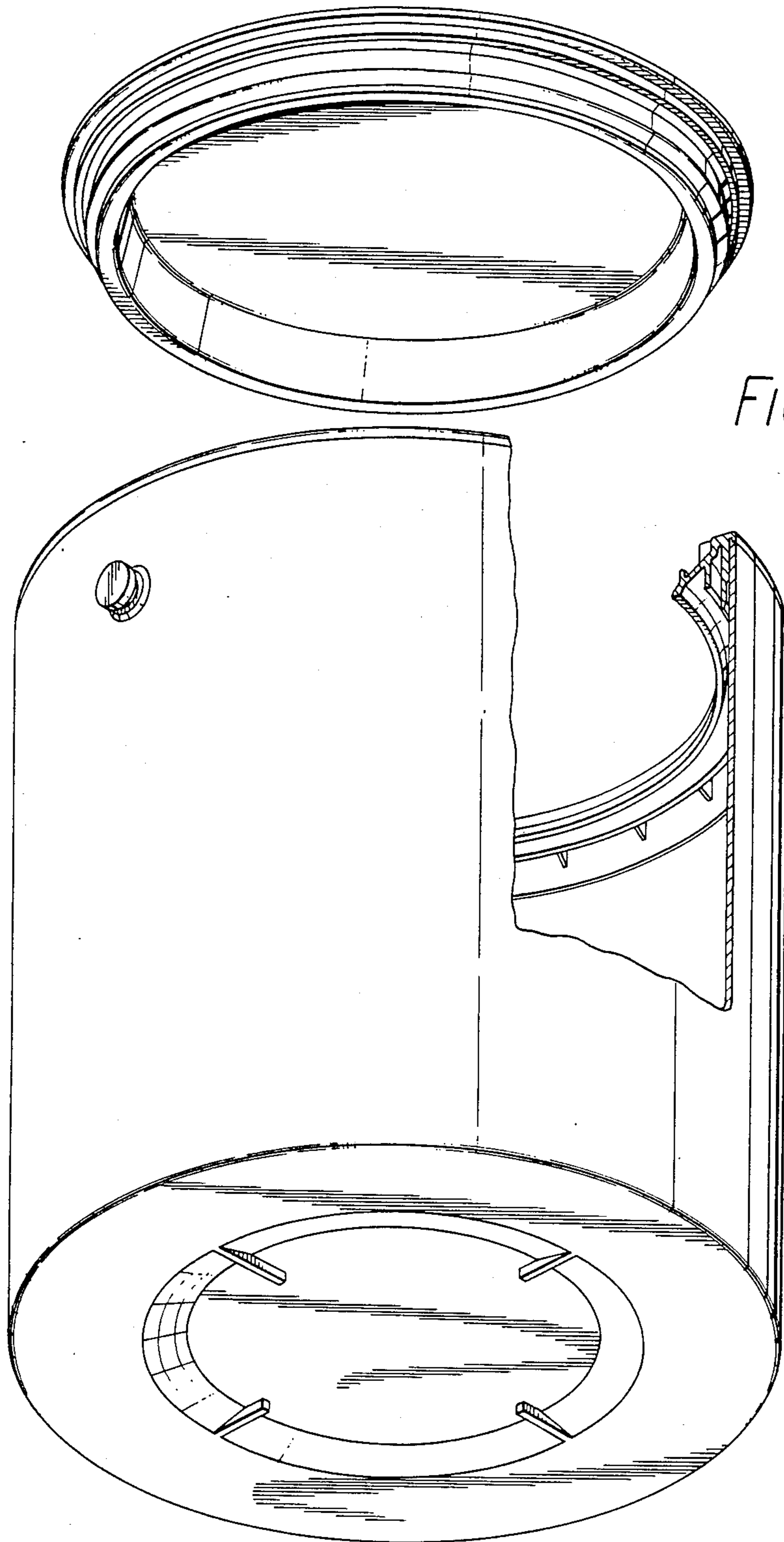


FIG. 5