

# United States Patent [19]

Westerlund

[11] Patent Number: **Des. 296,983**

[45] Date of Patent: **\*\* Aug. 2, 1988**

[54] **CLIP**

[75] Inventor: **Bengt A. Westerlund, Hestra, Sweden**

[73] Assignee: **Isaberg AB, Hestra, Sweden**

[\*\*] Term: **14 Years**

[21] Appl. No.: **803,946**

[22] Filed: **Nov. 8, 1985**

[30] **Foreign Application Priority Data**

Jun. 20, 1985 [SE] Sweden ..... 85-1586

[52] U.S. Cl. .... **D8/396; D8/391**

[58] Field of Search ..... **D8/382, 388, 394, 396, D8/391; 24/350; 248/65, 71, 73, 74.1**

[56] **References Cited**

**U.S. PATENT DOCUMENTS**

D. 199,585 11/1964 Curtiss ..... D8/396

D. 235,849 7/1975 Hagelberg ..... D8/396

D. 250,089 10/1978 Legerius ..... D8/396

D. 276,134 10/1984 Ericsson ..... D8/396

2,570,957 10/1951 Lee ..... D8/396

2,681,196 6/1954 Lind ..... 248/71

4,588,152 5/1986 Ruehl et al. .... 248/71

**FOREIGN PATENT DOCUMENTS**

0919643 1/1973 Canada ..... 248/74 R

1077284 3/1960 Fed. Rep. of Germany ..... 248/71

2099905 12/1982 United Kingdom ..... 248/74 R

*Primary Examiner*—**B. J. Bullock**

*Attorney, Agent, or Firm*—**Shapiro and Shapiro**

[57] **CLAIM**

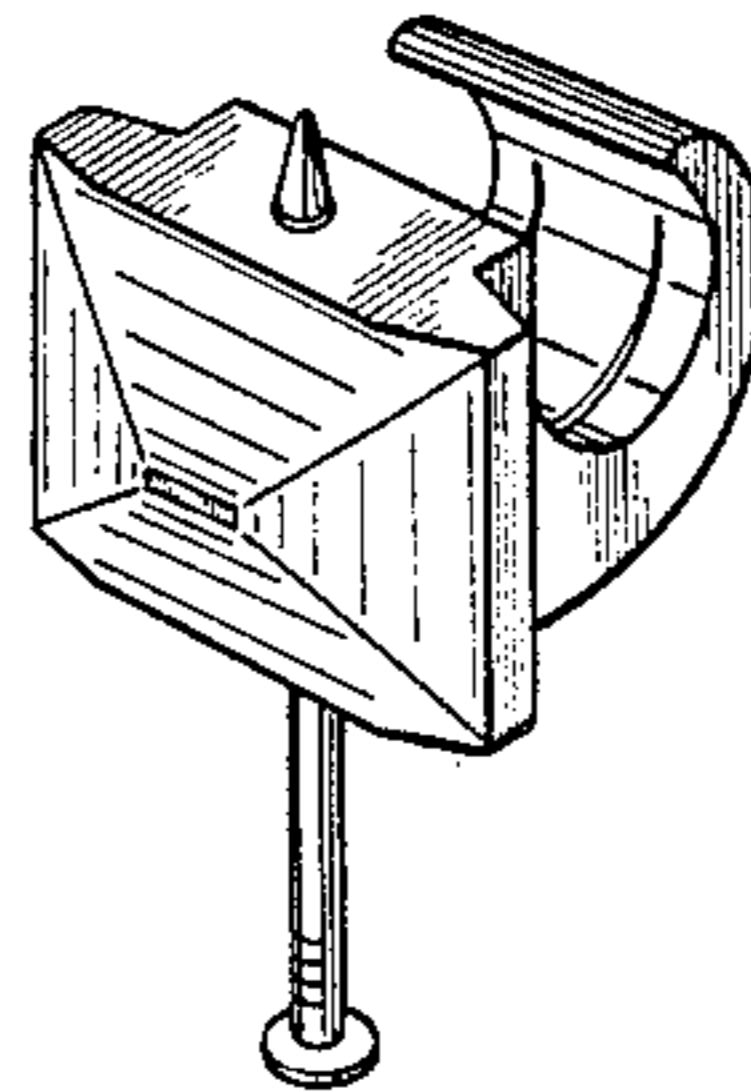
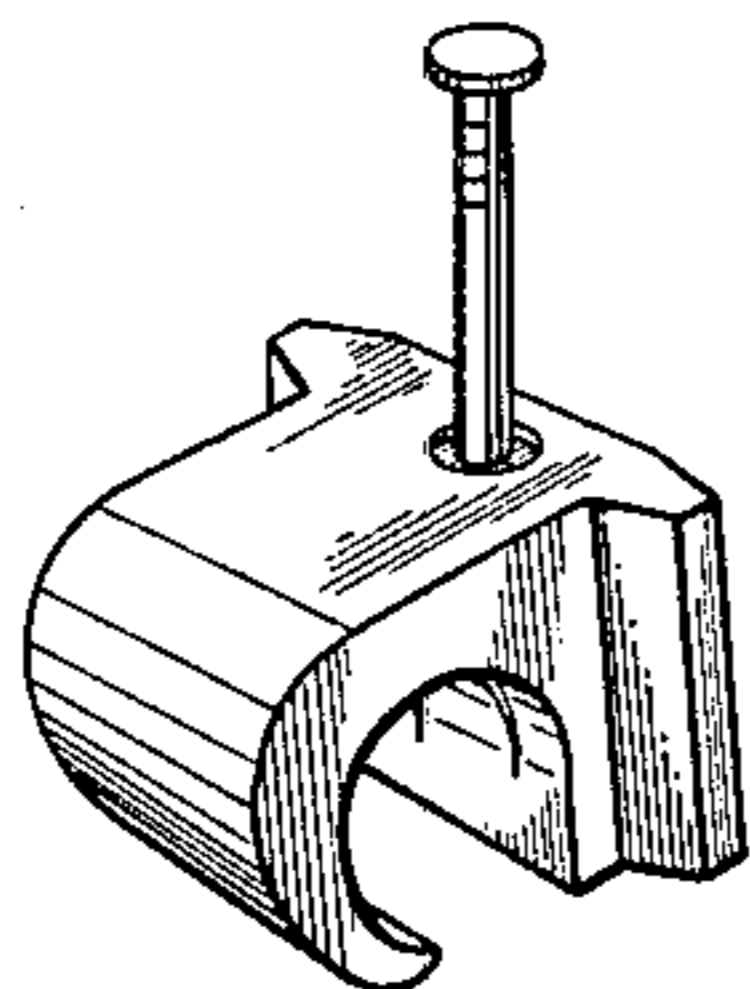
The ornamental design for a clip, as shown.

**DESCRIPTION**

FIG. 1 is a front, right perspective view of a clip showing my new design;

FIG. 2 is a rear, left perspective view thereof;

FIG. 3 is an inverted rear, right perspective view thereof.



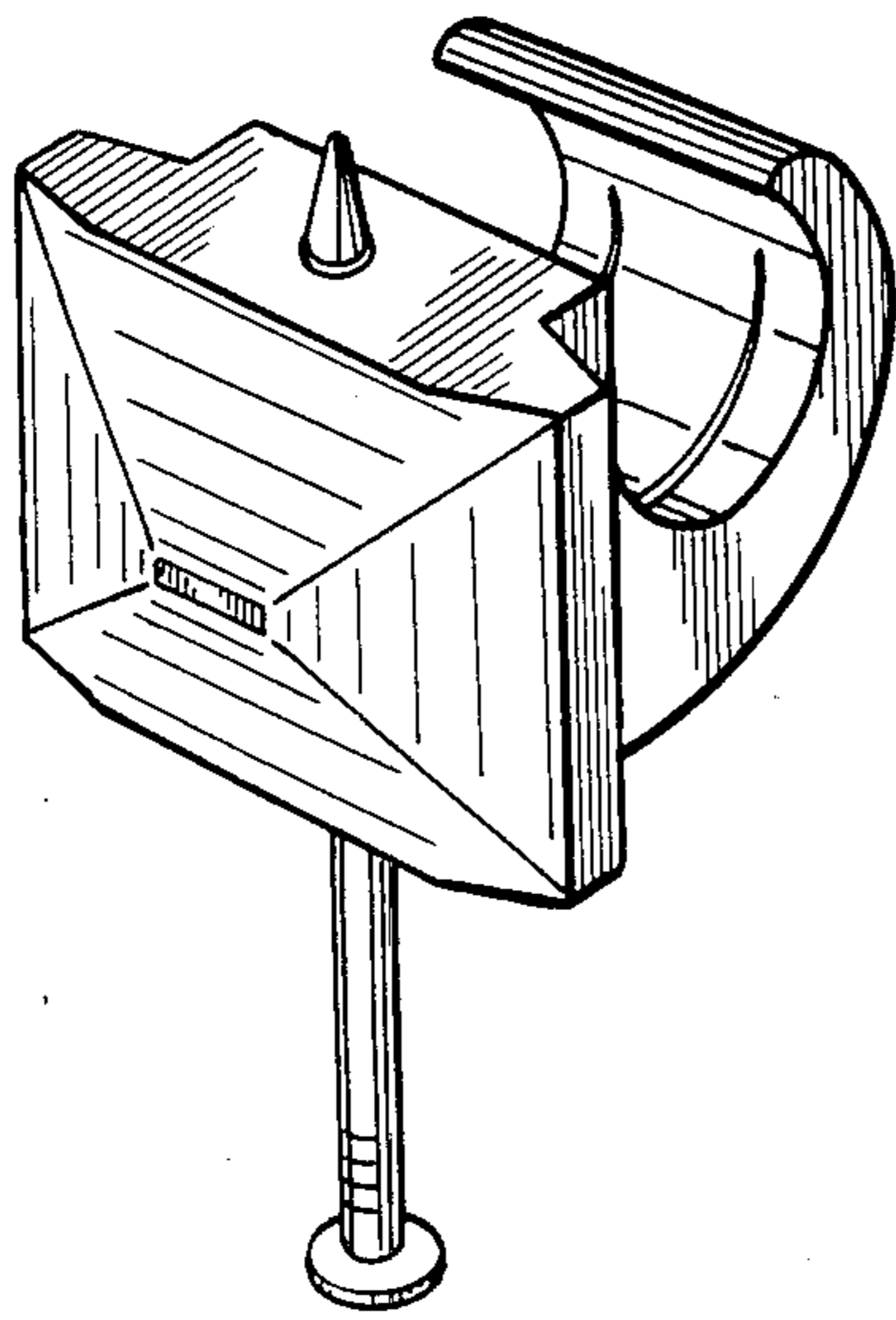
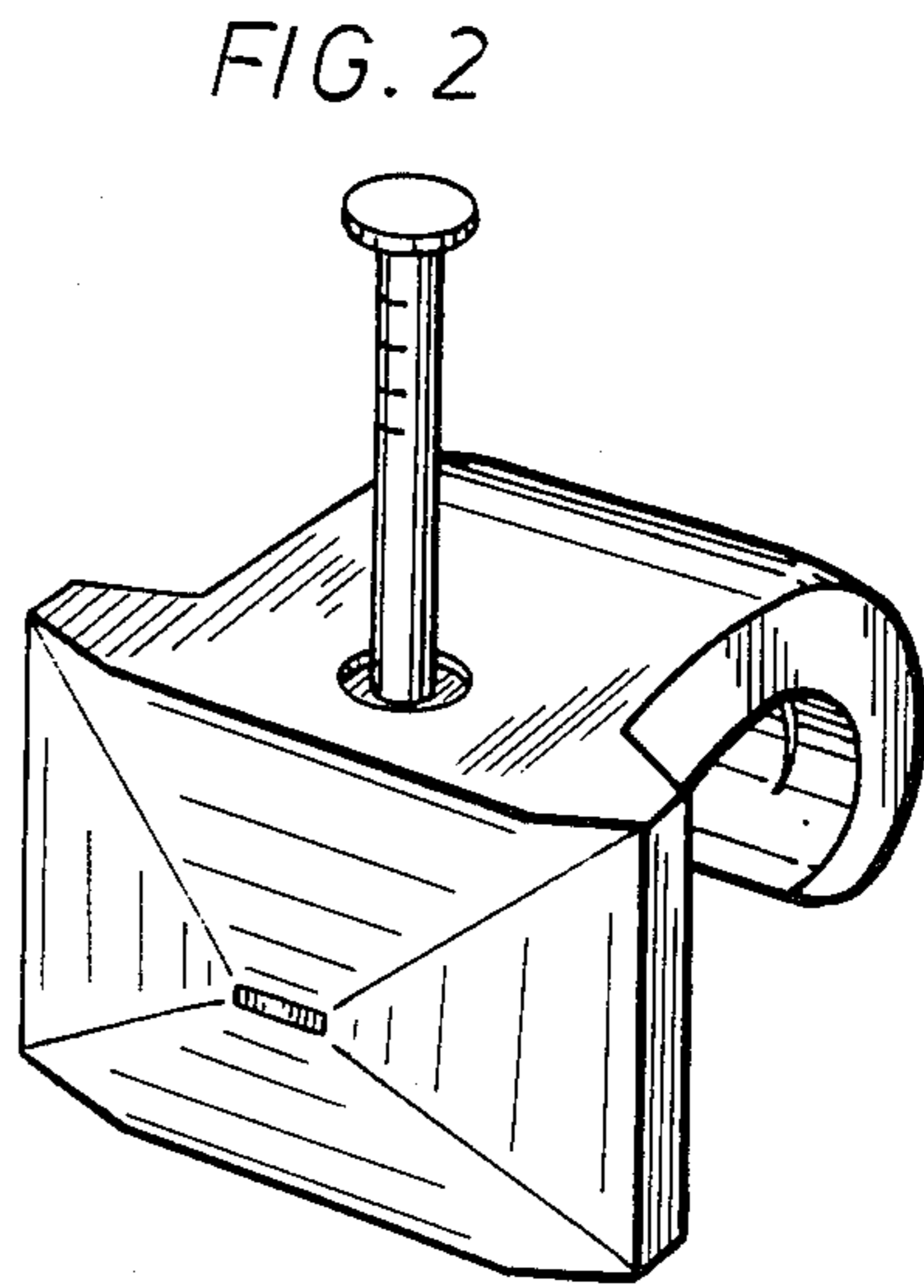
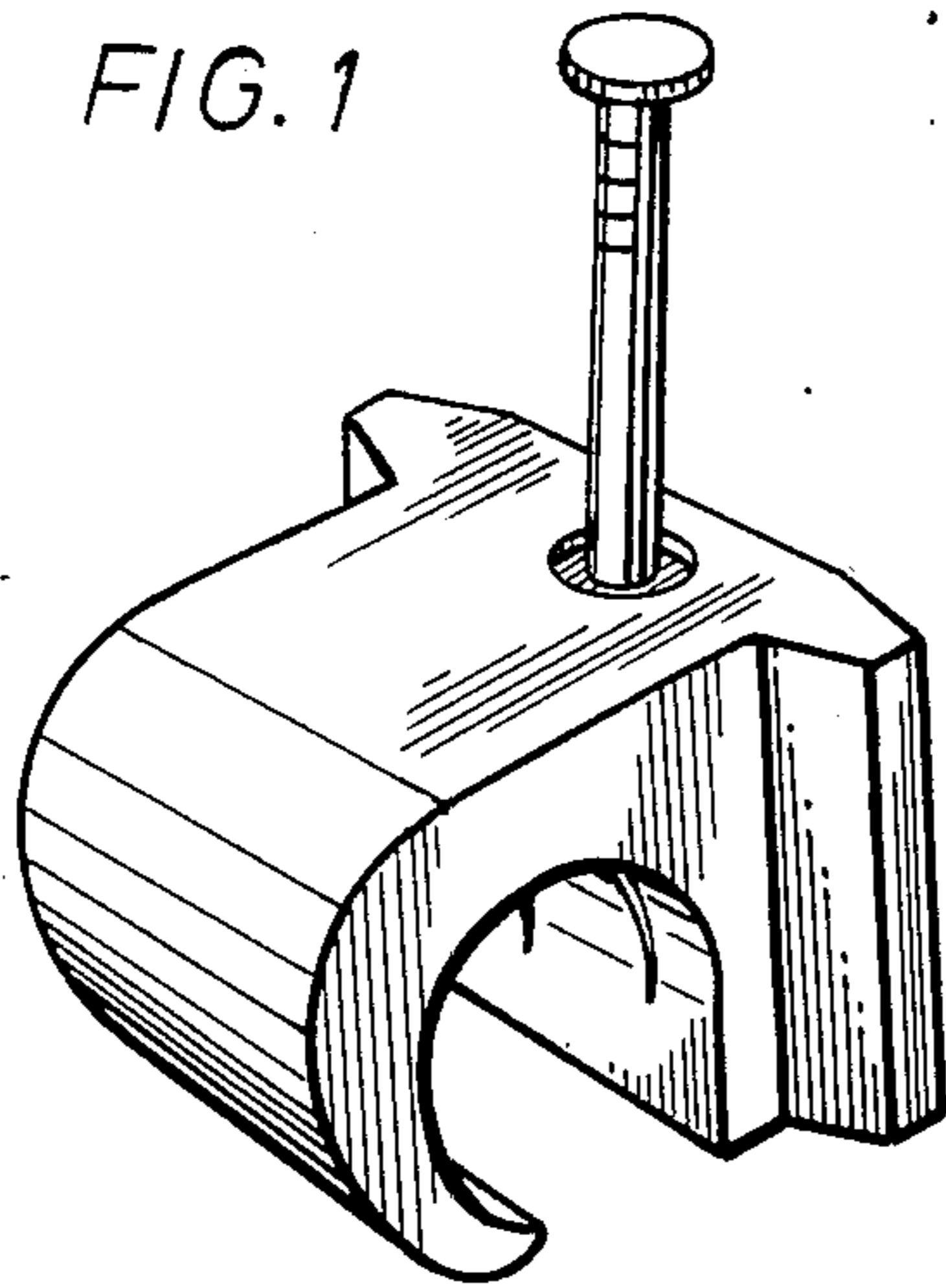


FIG. 3