

United States Patent [19]

Clark, Jr.

[11] Patent Number: **Des. 296,981**

[45] Date of Patent: **** Aug. 2, 1988**

[54] PORTABLE HYDRAULIC VISE

[76] Inventor: **Ceffus Clark, Jr.**, 4088 Archer Dr.,
Memphis, Tenn. 38109

[**] Term: **14 Years**

[21] Appl. No.: **654,854**

[22] Filed: **Sep. 26, 1984**

[52] U.S. Cl. **D8/74**

[58] Field of Search **D8/70, 71-74;**
D15/140; 269/25, 29, 30, 279

[56] References Cited

U.S. PATENT DOCUMENTS

2,402,411 6/1946 Kent 269/30 X
2,663,537 12/1953 Gagne 269/29 X
2,695,539 11/1954 Grueninger 269/25

FOREIGN PATENT DOCUMENTS

1004903 12/1951 France 269/29
268014 7/1950 Switzerland 269/25

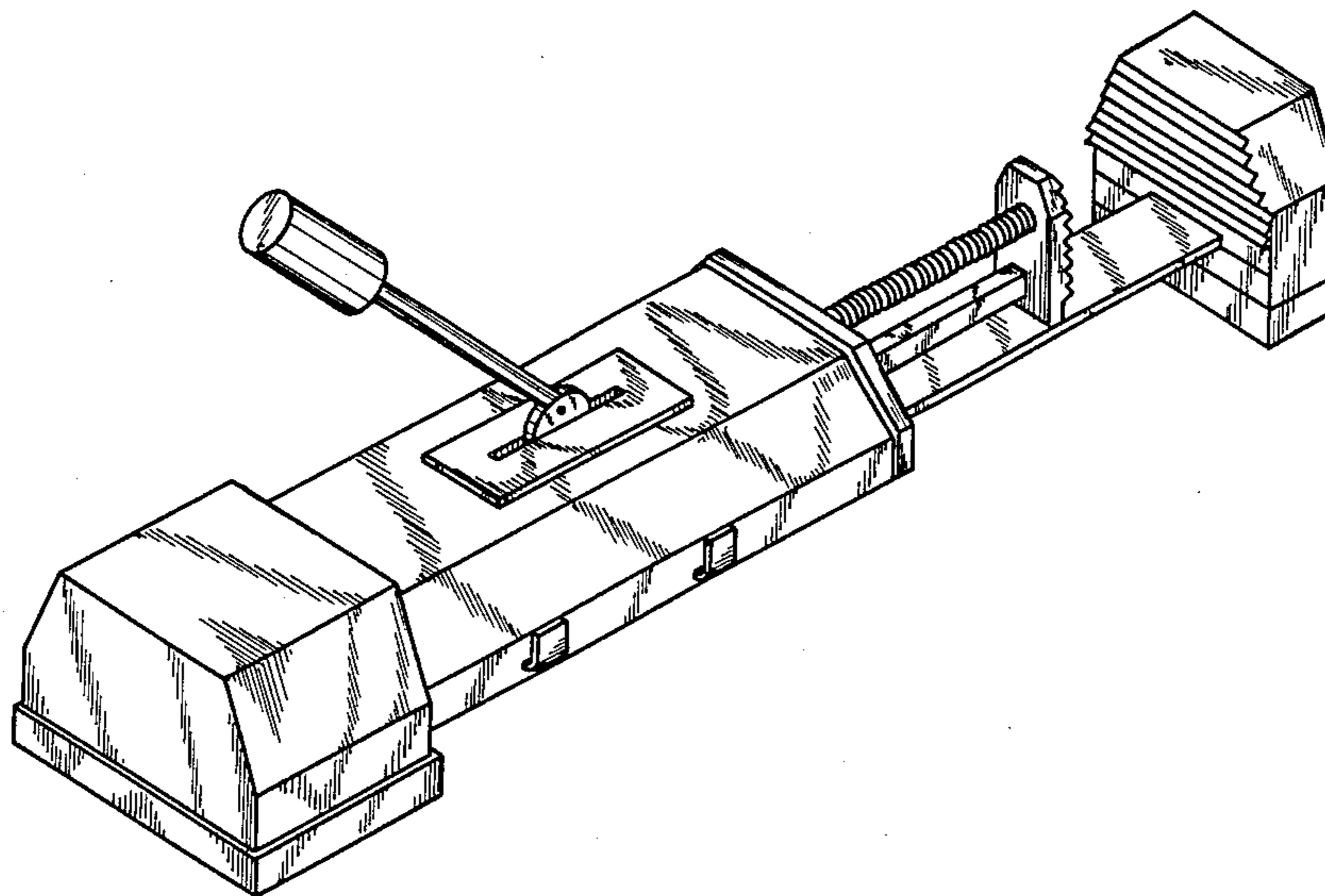
Primary Examiner—Susan J. Lucas
Assistant Examiner—C. E. Heflin
Attorney, Agent, or Firm—Gilden & Israel

[57] CLAIM

The ornamental design for a portable hydraulic vise, as shown and described.

DESCRIPTION

FIG. 1 is a perspective view of a portable hydraulic vise construction showing my new design;
FIG. 2 is a side elevational view thereof;
FIG. 3 is a left end elevational view thereof;
FIG. 4 is a right end elevational view thereof.



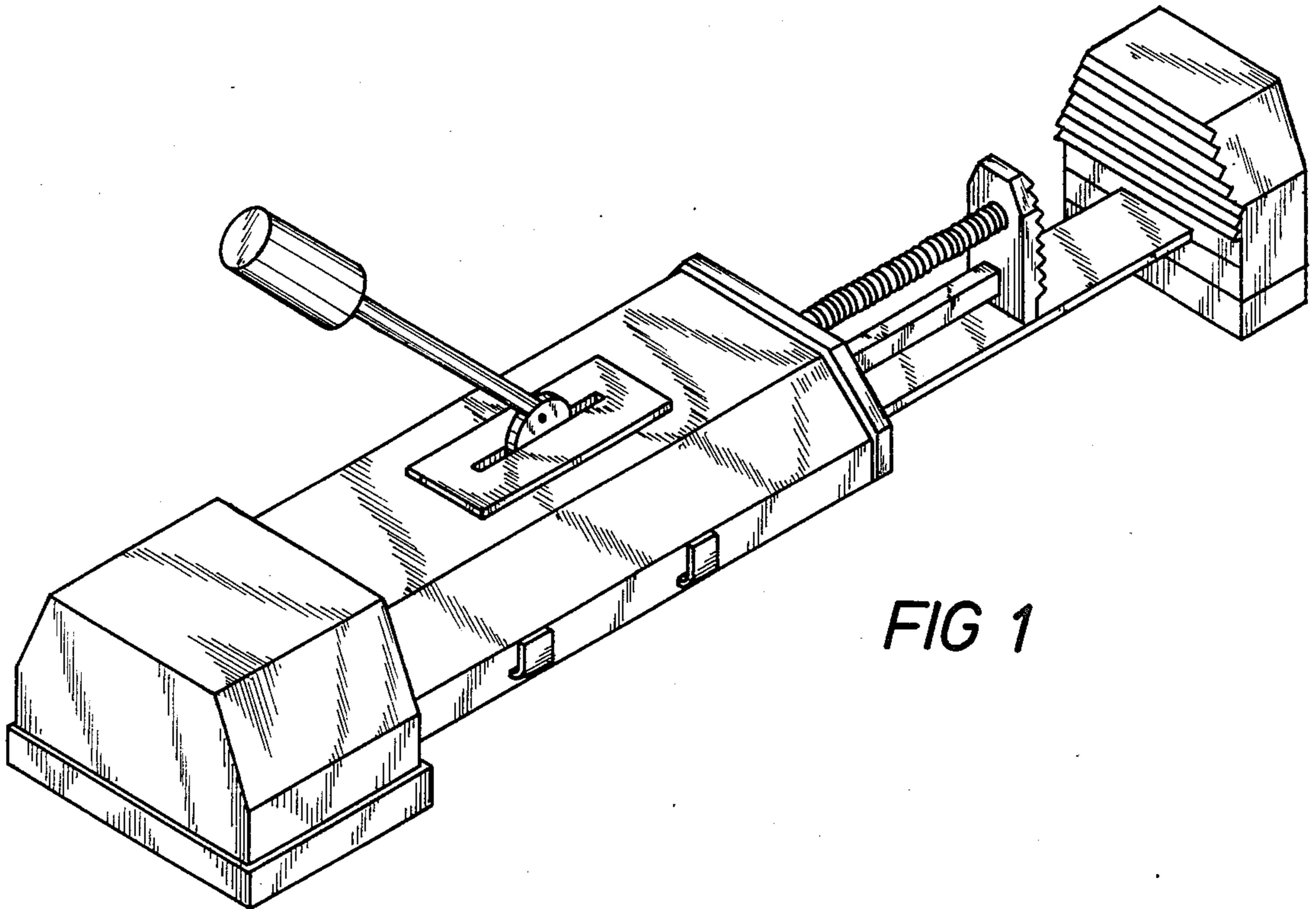


FIG 1

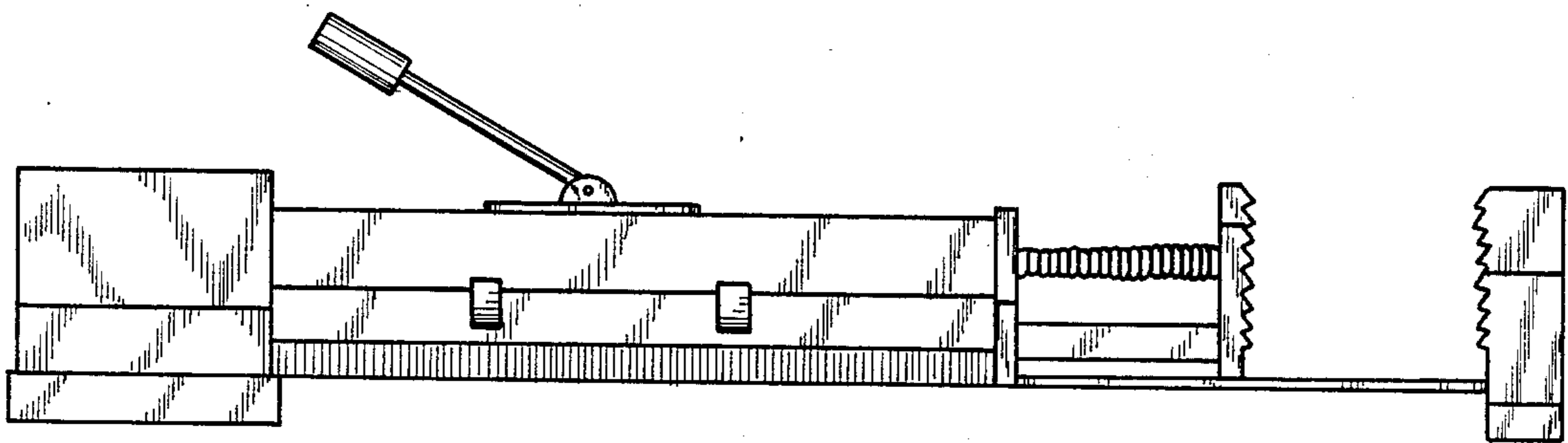


FIG 2

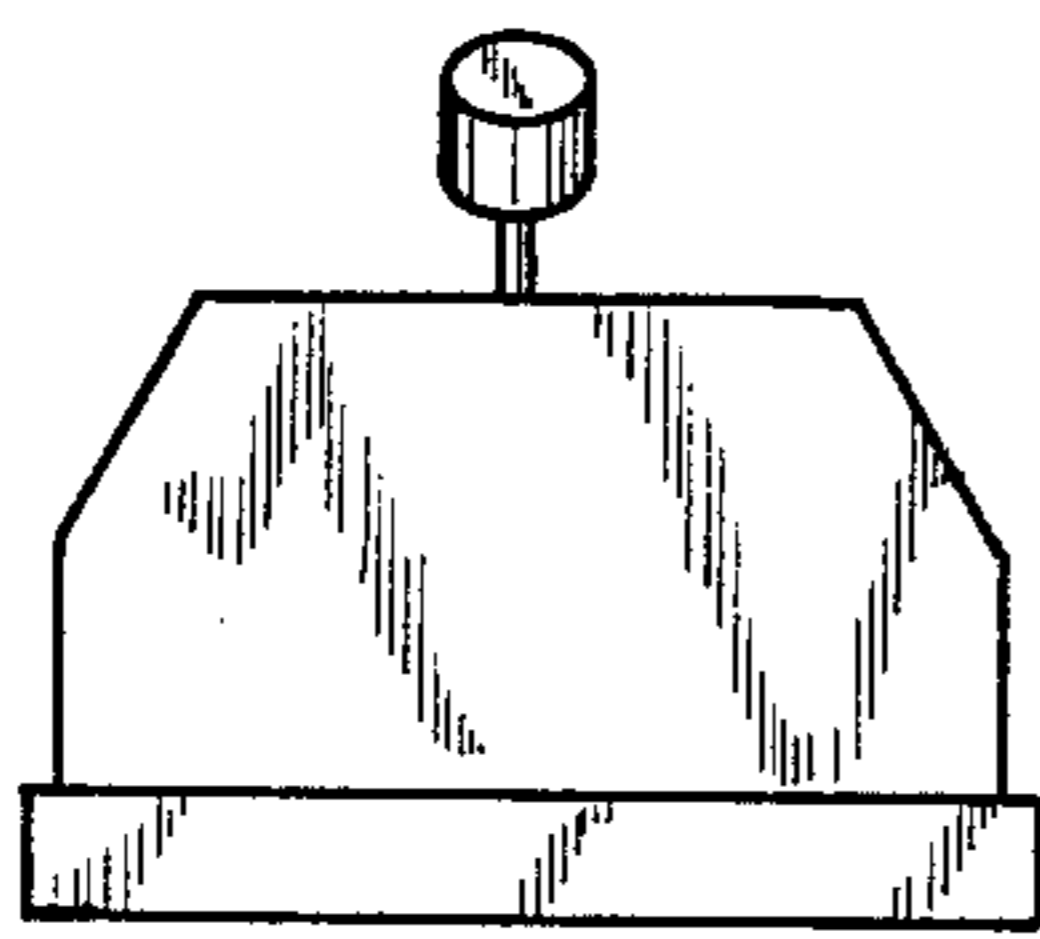


FIG 3

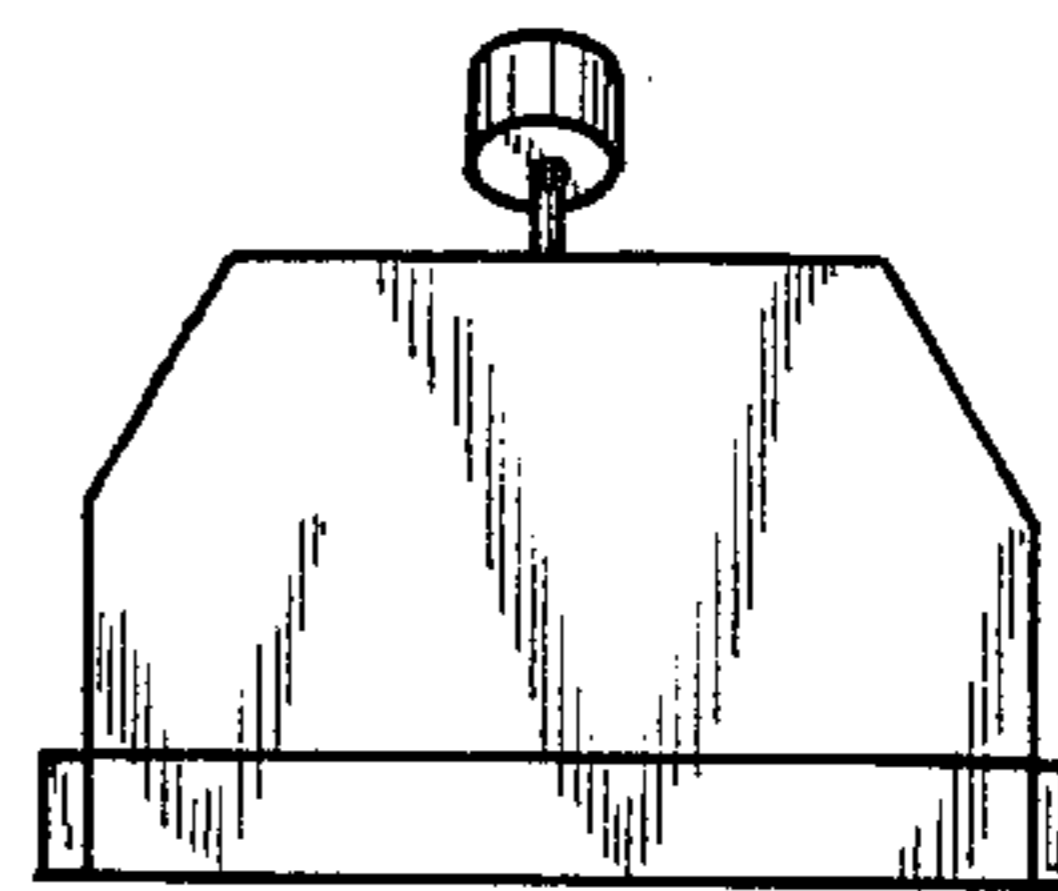


FIG 4