

[54] ELECTRICAL CAN OPENER WITH AUTOMATIC STOP

[75] Inventor: John S. Yuen, Kwun Tong, Hong Kong

[73] Assignee: John Manufacturing Limited, Kowloon, Hong Kong

[**] Term: 14 Years

[21] Appl. No.: 811,745

[22] Filed: Dec. 20, 1985

[30] Foreign Application Priority Data

Jun. 26, 1985 [GB] United Kingdom 1 027 534

[52] U.S. Cl. D8/36

[58] Field of Search D8/18, 33, 34, 36, 40; 30/400, 409, 410, 416, 421-426

[56] References Cited

U.S. PATENT DOCUMENTS

D. 280,970 10/1985 Van Asten et al. D8/36

Primary Examiner—Bernard Ansher
Assistant Examiner—Terry Pfeffer
Attorney, Agent, or Firm—Fay, Sharpe, Beall, Fagan, Minnich & McKee

[57] CLAIM

The ornamental design for an electrical can opener with automatic stop, substantially as shown and described.

DESCRIPTION

FIG. 1 is a left side elevational view of an electrical can opener with automatic stop showing my new design; FIG. 2 is a front elevational view thereof; FIG. 3 is a rear elevational view with the cutter removed thereof; FIG. 4 is a rear elevational view thereof; FIG. 5 is a right-side elevational view thereof; FIG. 6 is a right-side elevational view showing the cutter in an alternative position to that as shown in FIG. 5 thereof; FIG. 7 is a top plan view thereof; FIG. 8 is a bottom plan view thereof; FIG. 9 is a sectional view thereof.

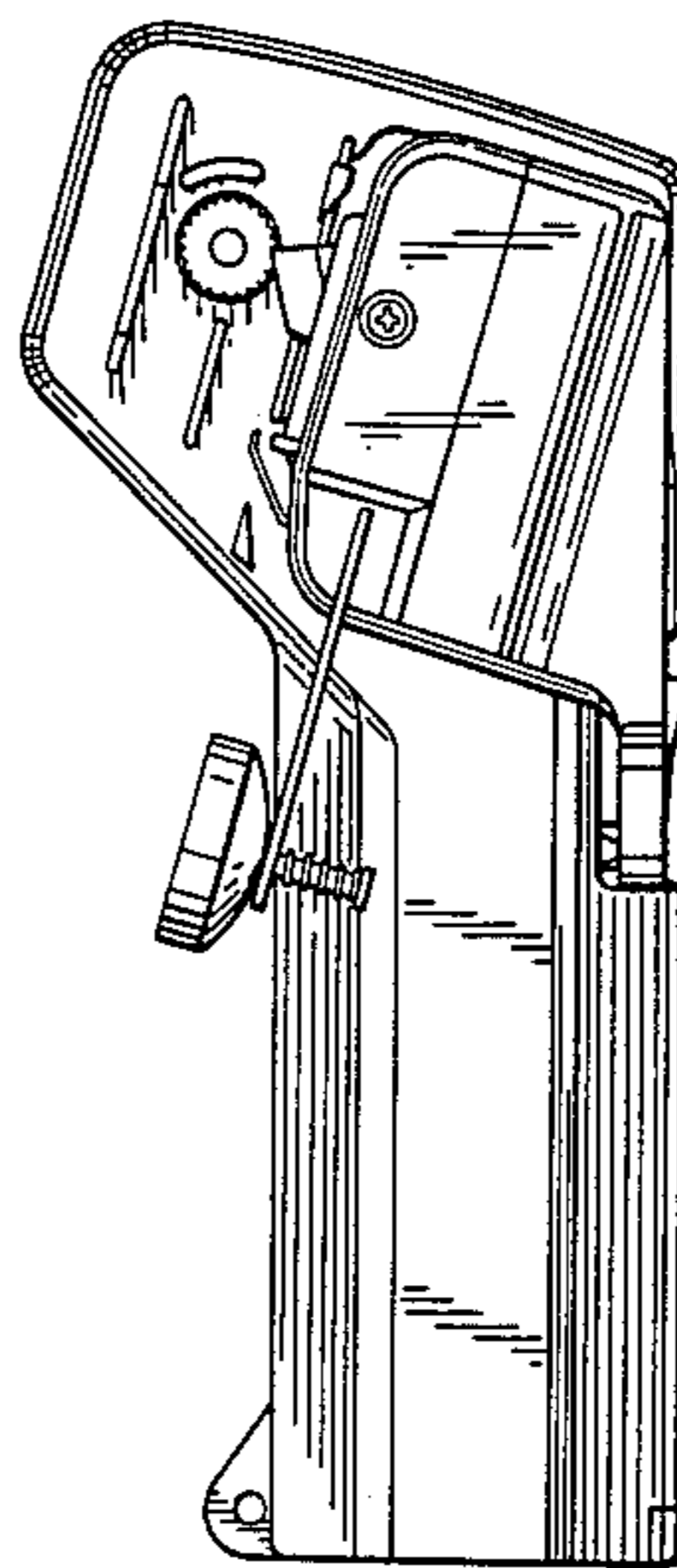
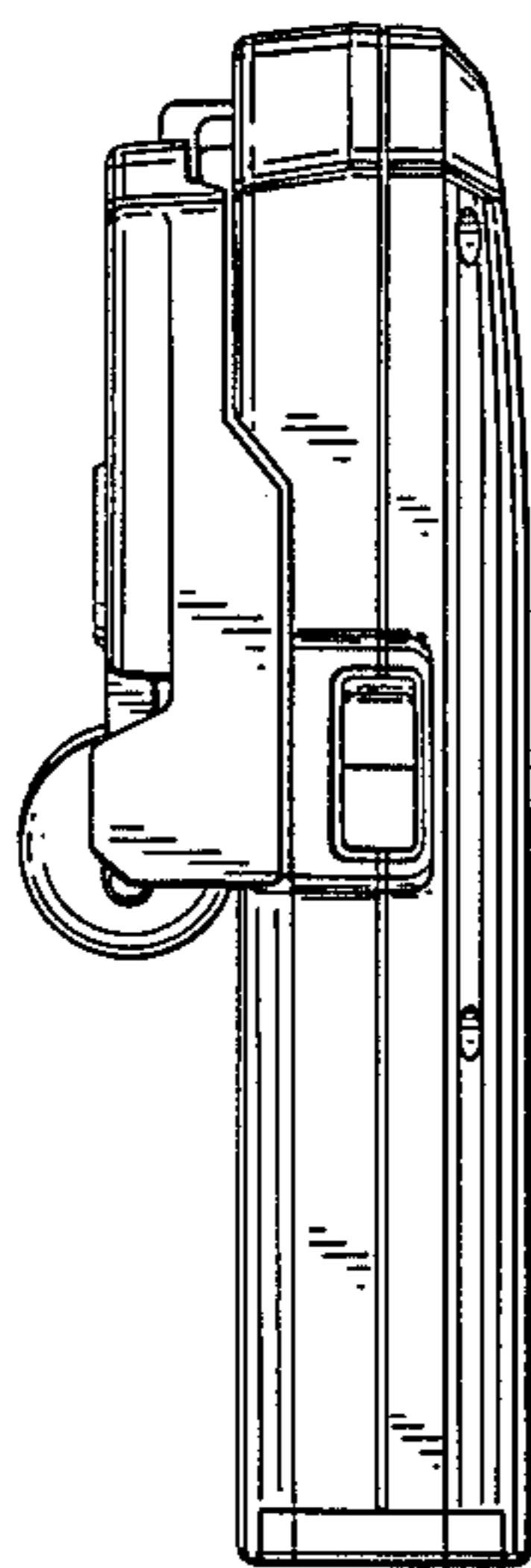


FIG. 1.

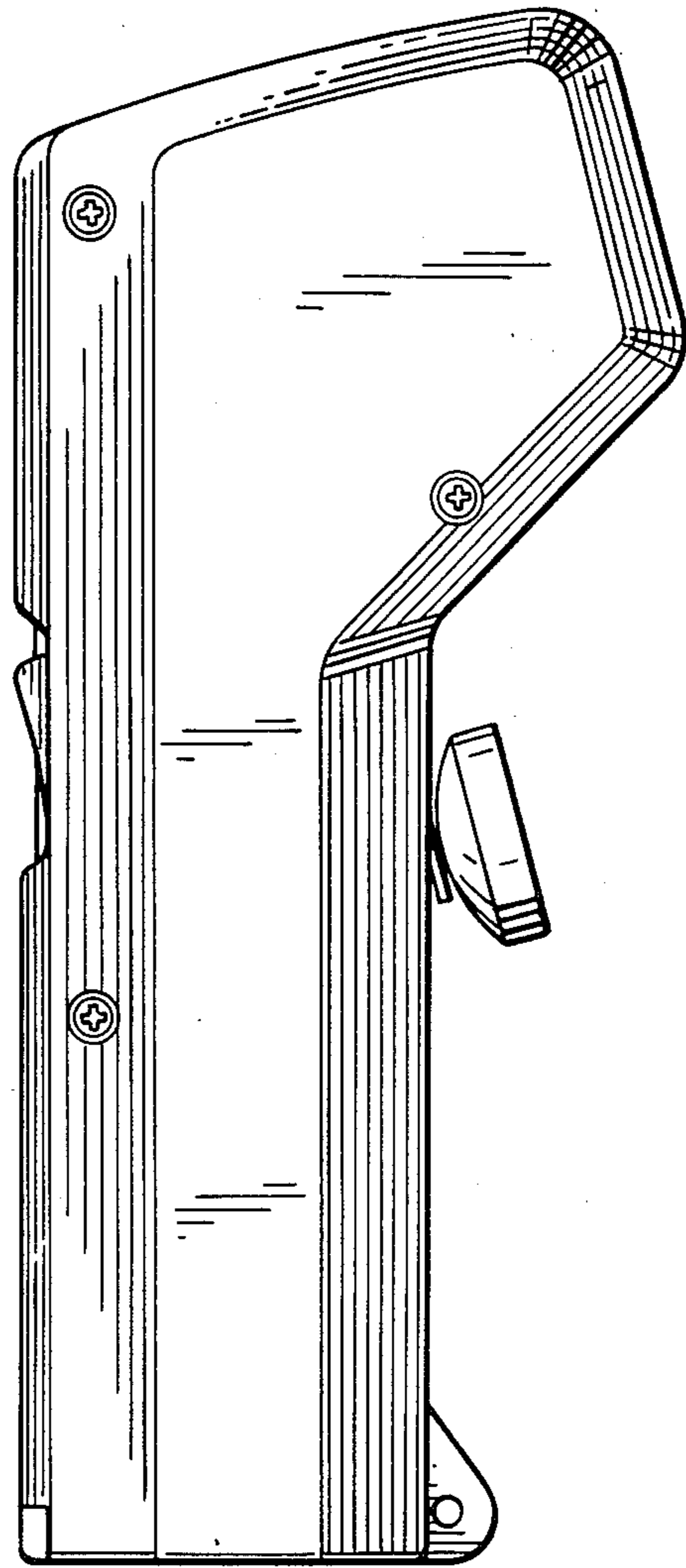
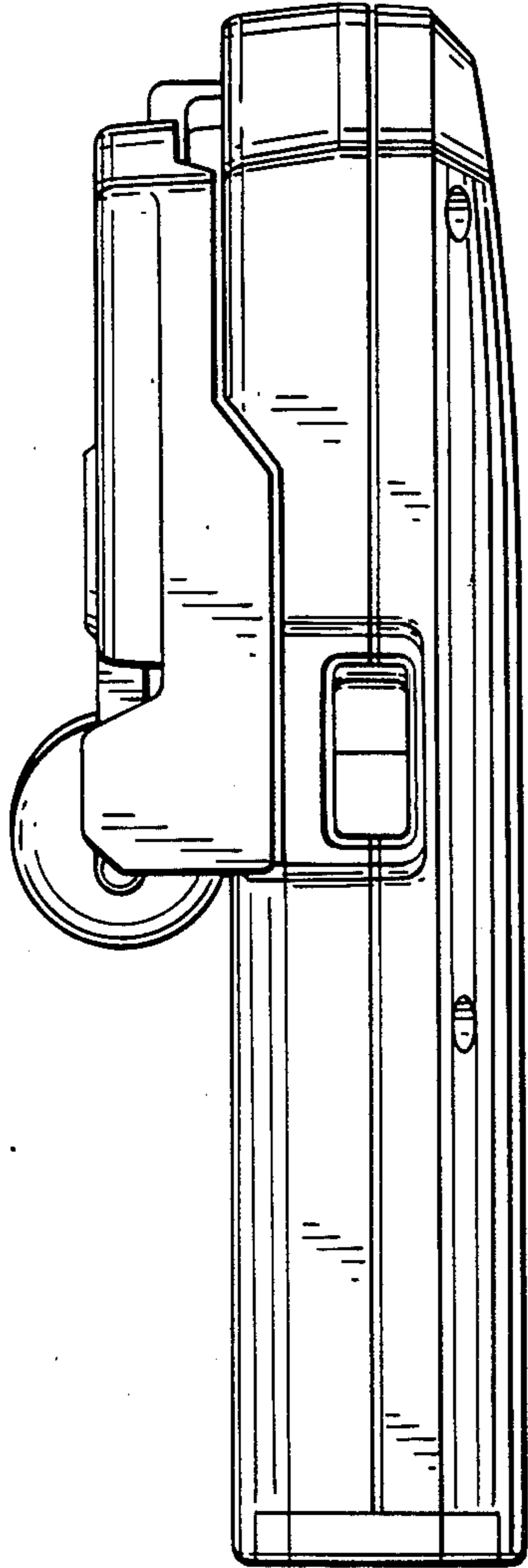


FIG. 2.

FIG. 3.

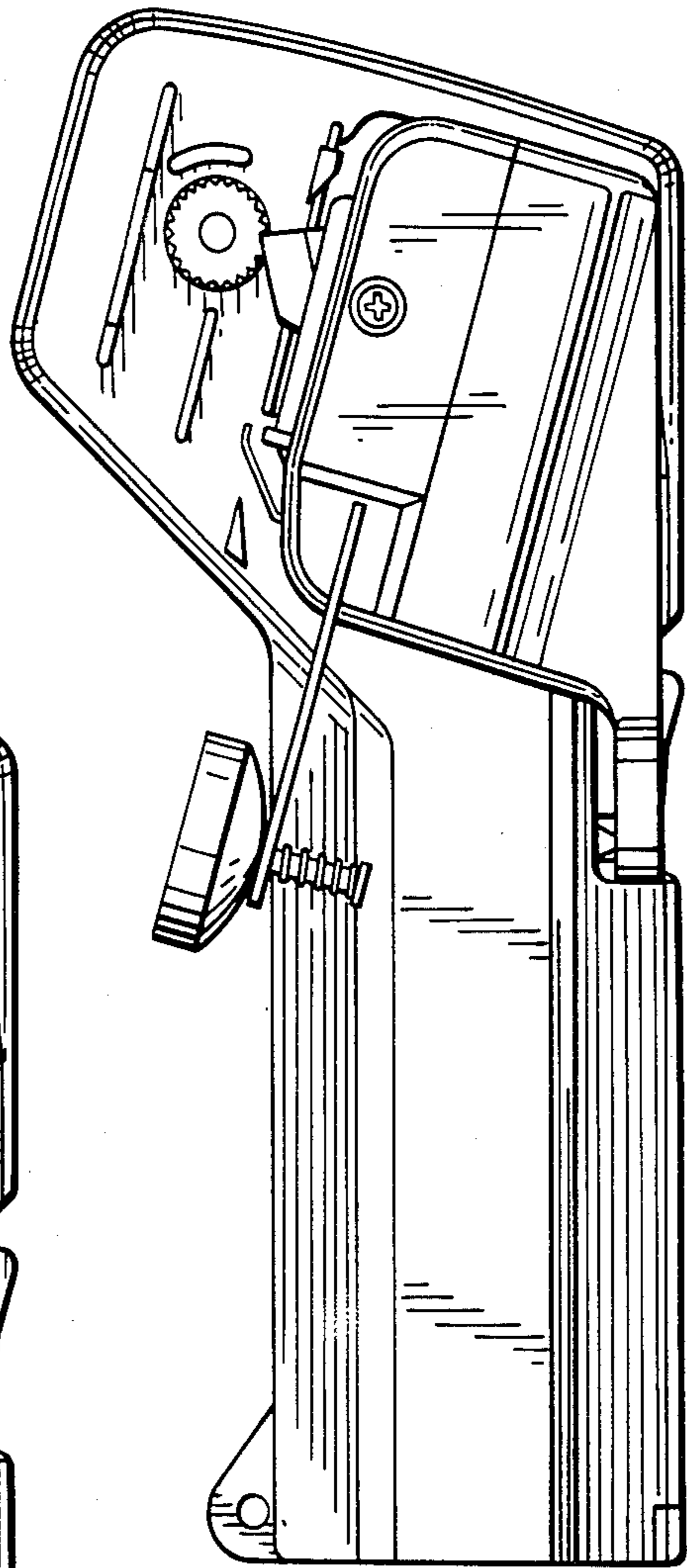
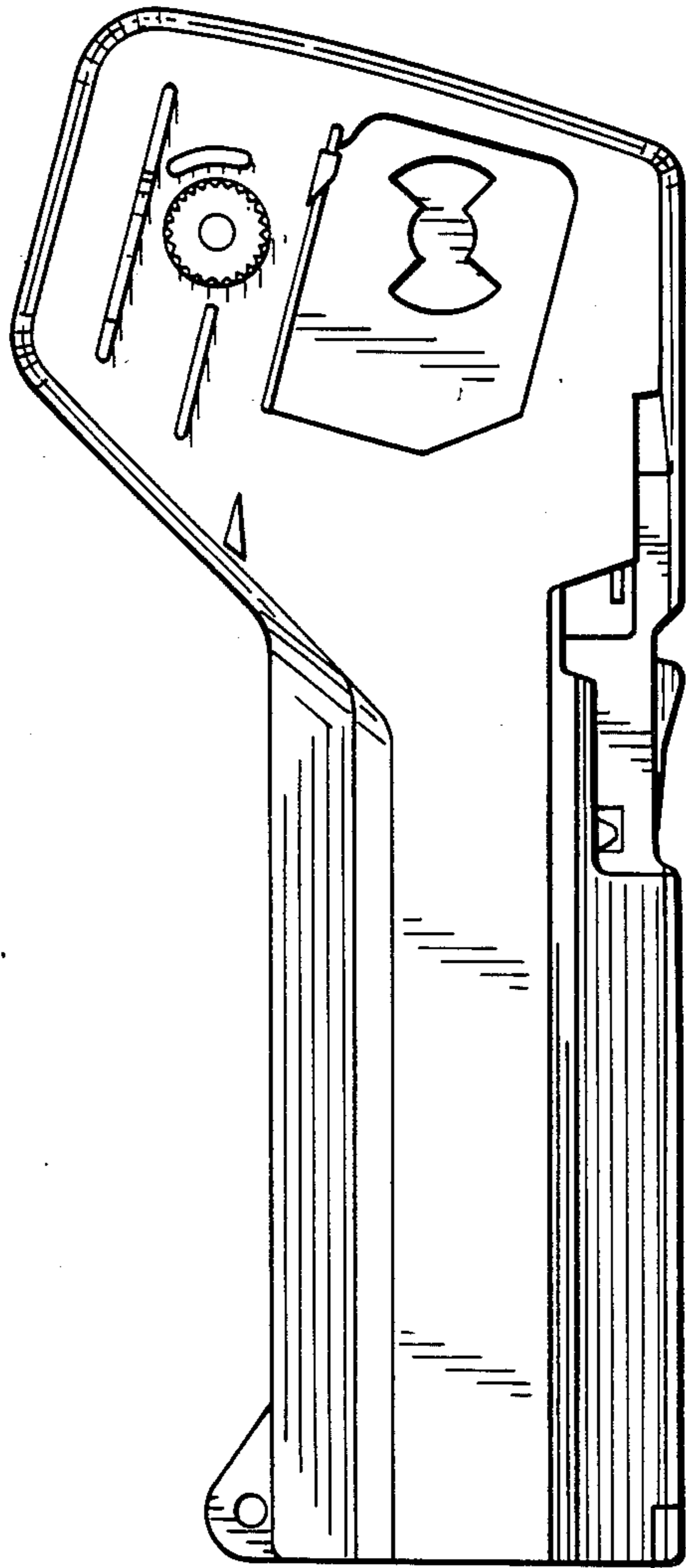


FIG. 4.

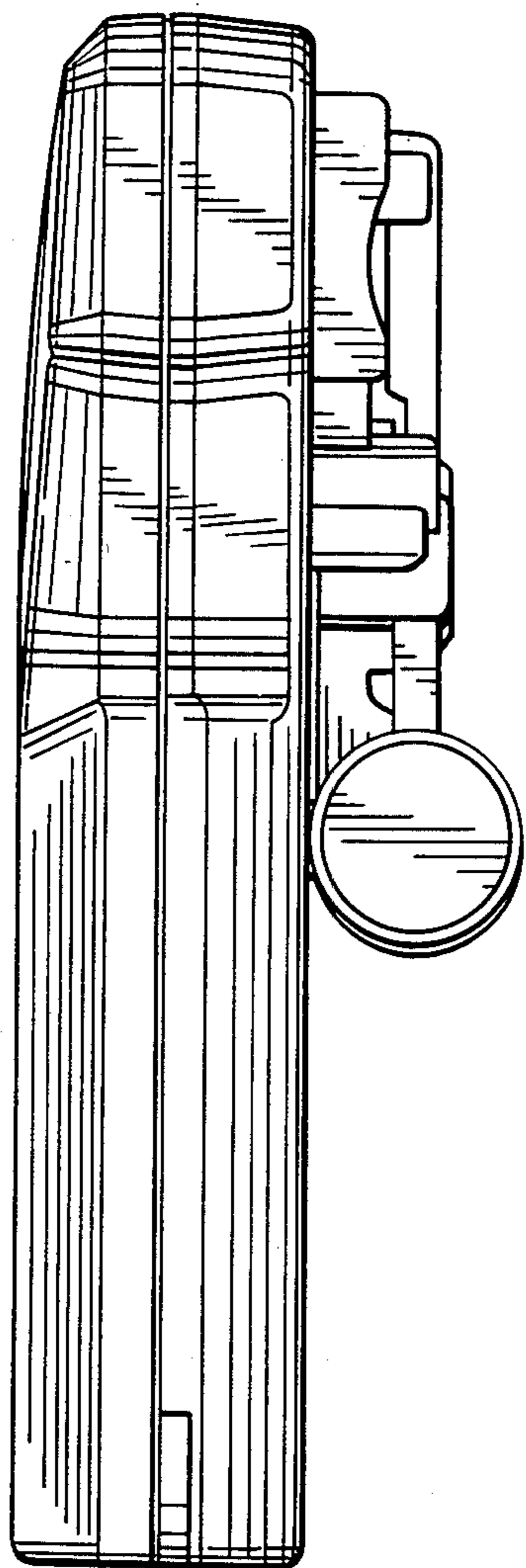


FIG. 5.

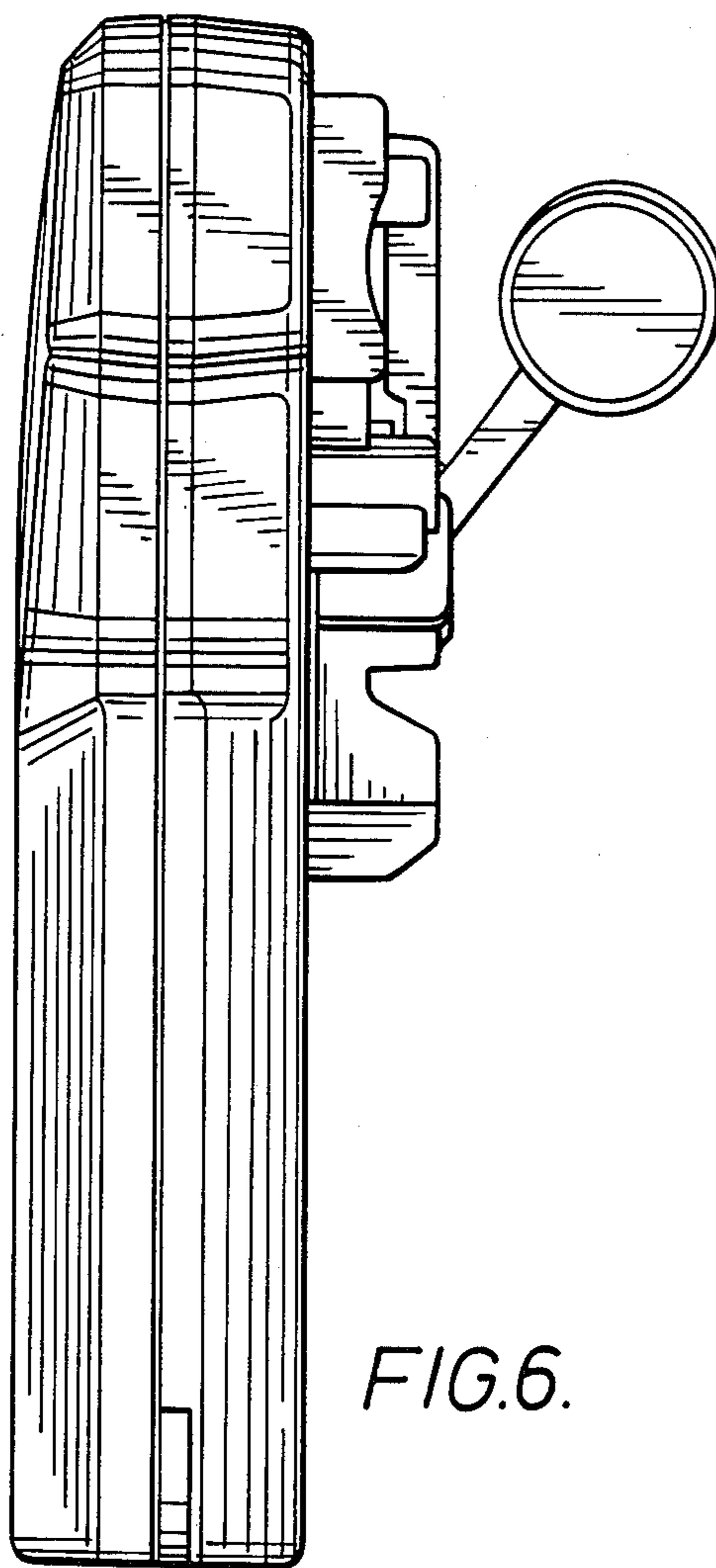


FIG. 6.

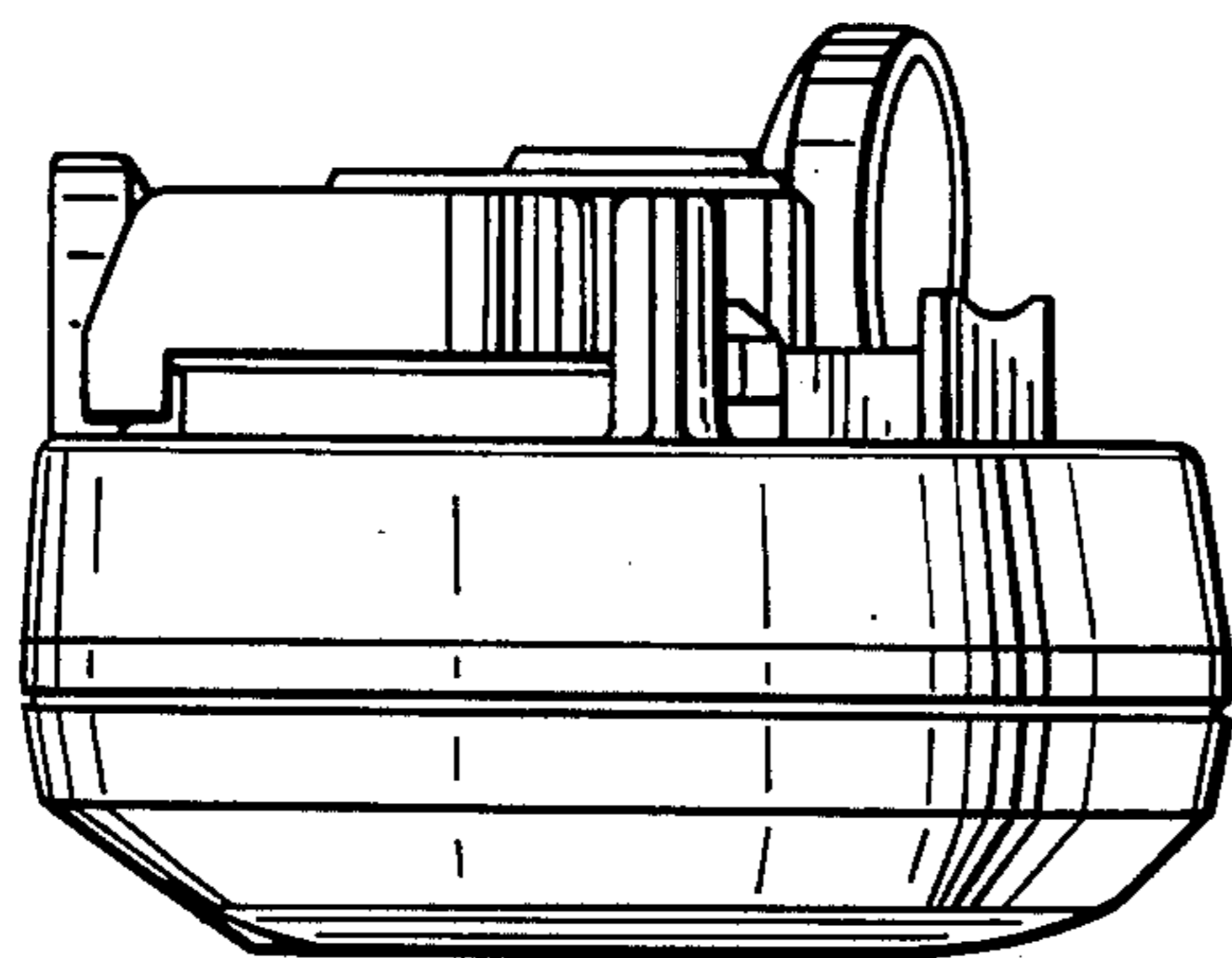


FIG. 7.

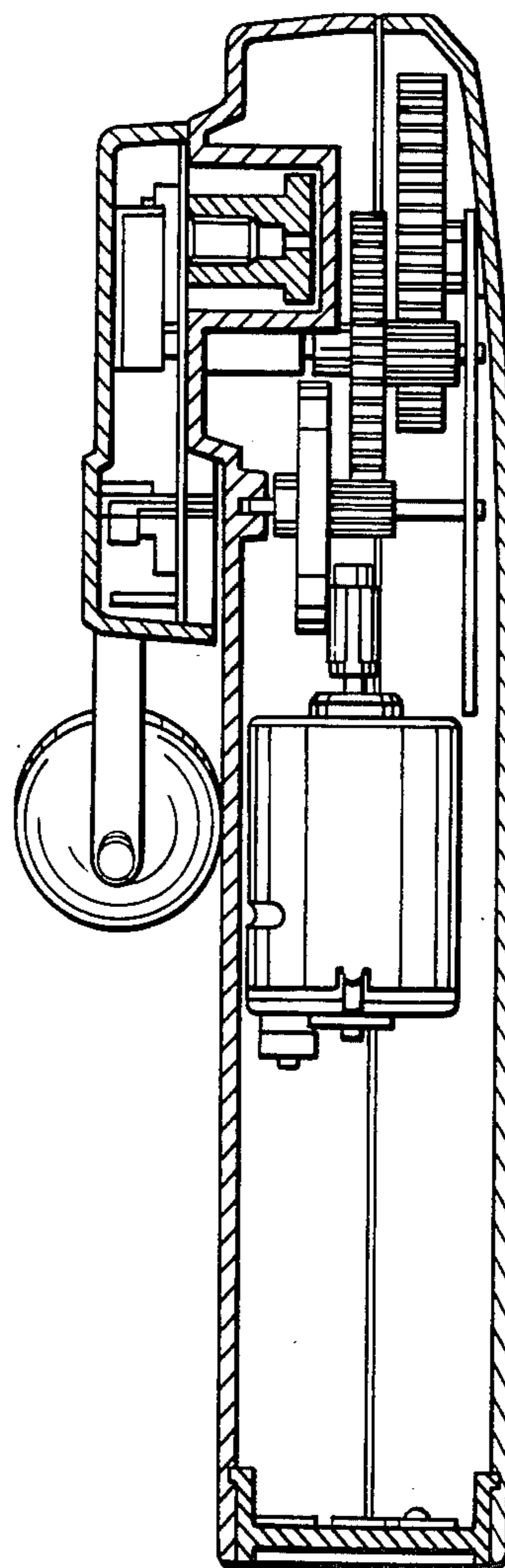


FIG. 9.

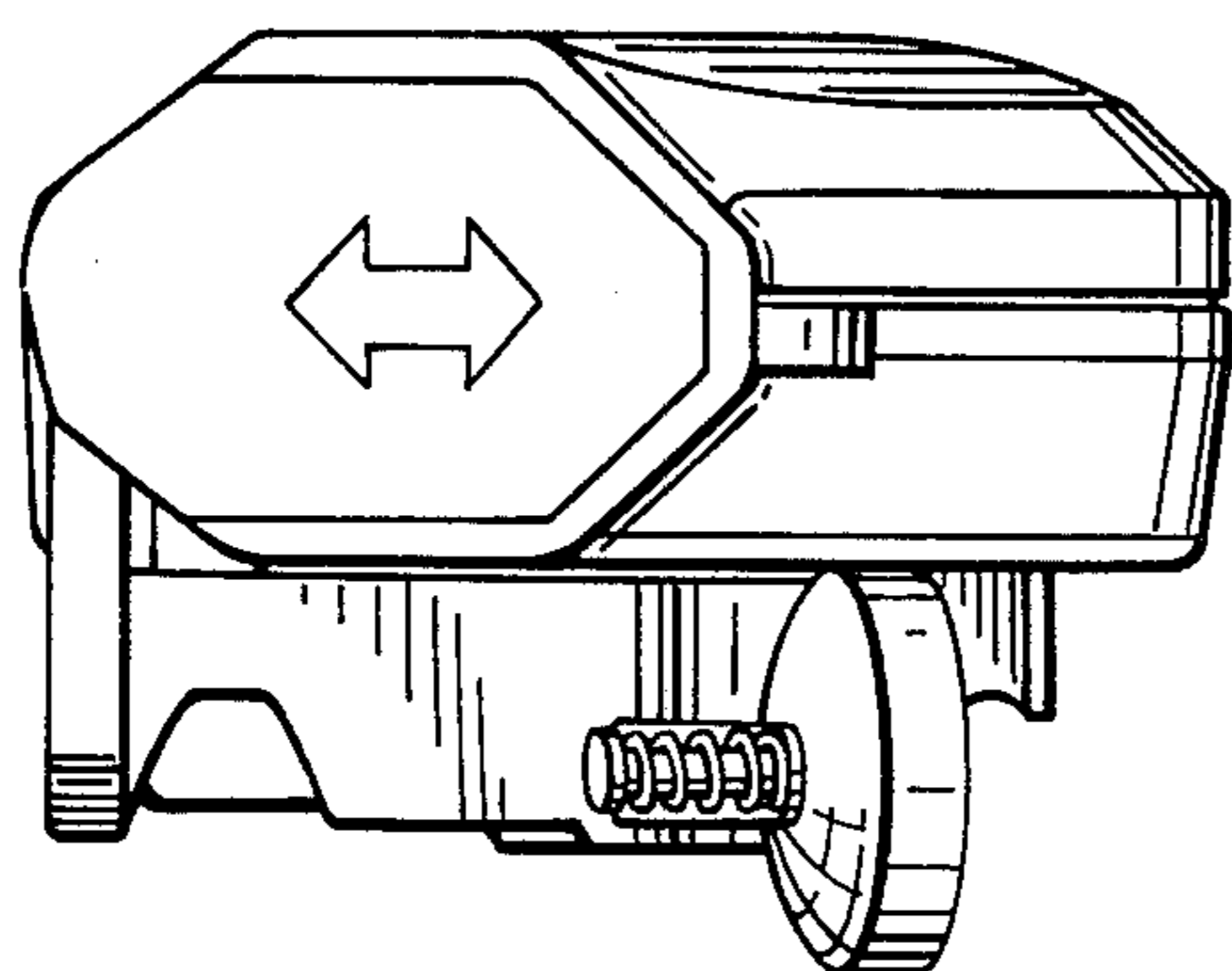


FIG. 8.