

[54] FOOD PROCESSOR

[75] Inventor: Rudolf Maass, Solingen, Fed. Rep. of Germany

[73] Assignee: Robert Krups Stiftung & Co. KG., Solingen, Fed. Rep. of Germany

[\*] Notice: The portion of the term of this patent subsequent to Jan. 26, 2002 has been disclaimed.

[\*\*] Term: 14 Years

[21] Appl. No.: 760,285

[22] Filed: Jul. 29, 1985

[52] U.S. Cl. .... D7/384

[58] Field of Search ..... D7/384, 368, 372-374, D7/376-378, 383, 379, 385

[56] References Cited

U.S. PATENT DOCUMENTS

- D. 256,318 8/1980 Levin ..... D7/384
- D. 282,620 2/1986 Cavalli ..... D7/384
- D. 287,327 12/1986 Cavalli ..... D7/384

FOREIGN PATENT DOCUMENTS

- 314595 6/1956 Switzerland ..... D7/368

OTHER PUBLICATIONS

*Retailing Home Furnishings*, May 23, 1977, p. 32, bottom right panel, "Cuisine Machine"—Hamilton Beach.

*HFD—Retailing Home Furnishings*, May 14, 1979, p. 38, Section One, Toshiba Electronic Food Processor, top right panel.

*Schöner Wohnen*, Jan. 1984, p. 82, Philips Food Processor at left, Blades and Processor shown.

*Merchandising*, Apr. 1984, p. 27, Sanyo Food Processor Model SKM-1550.

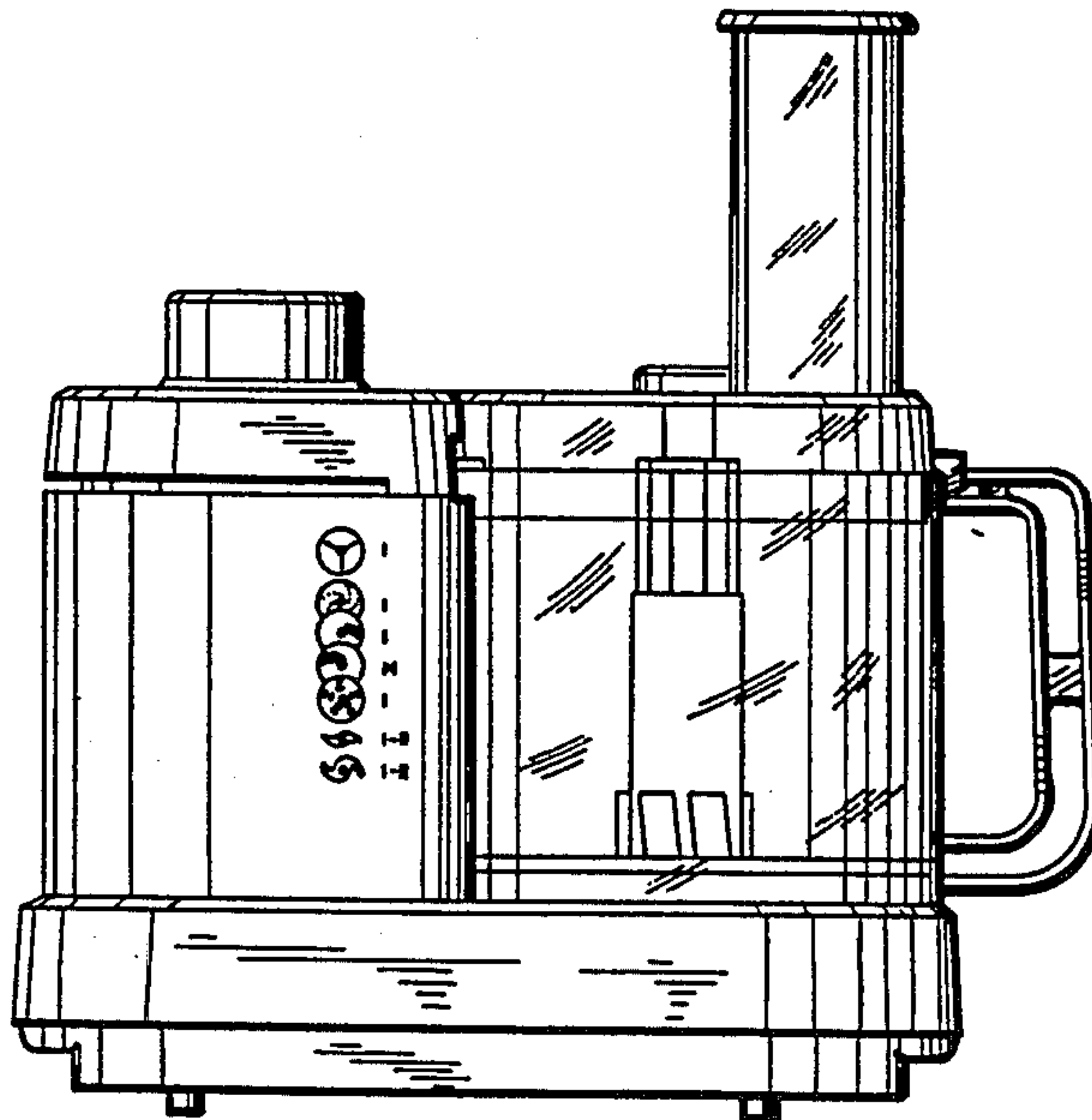
Primary Examiner—Winifred E. Herrmann  
Attorney, Agent, or Firm—Peter K. Kontler

[57] CLAIM

The ornamental design of a food processor, as shown.

DESCRIPTION

FIG. 1 is a top, front, and right side perspective view of a food processor showing my new design;  
FIG. 2 is a front elevational view thereof;  
FIG. 3 is a right side elevational view thereof;  
FIG. 4 is a top plan view on a reduced scale thereof;  
FIG. 5 is a bottom plan view on a reduced scale thereof;  
FIG. 6 is a rear elevational view on a reduced scale thereof; and  
FIG. 7 is a left side elevational view on a reduced scale thereof.



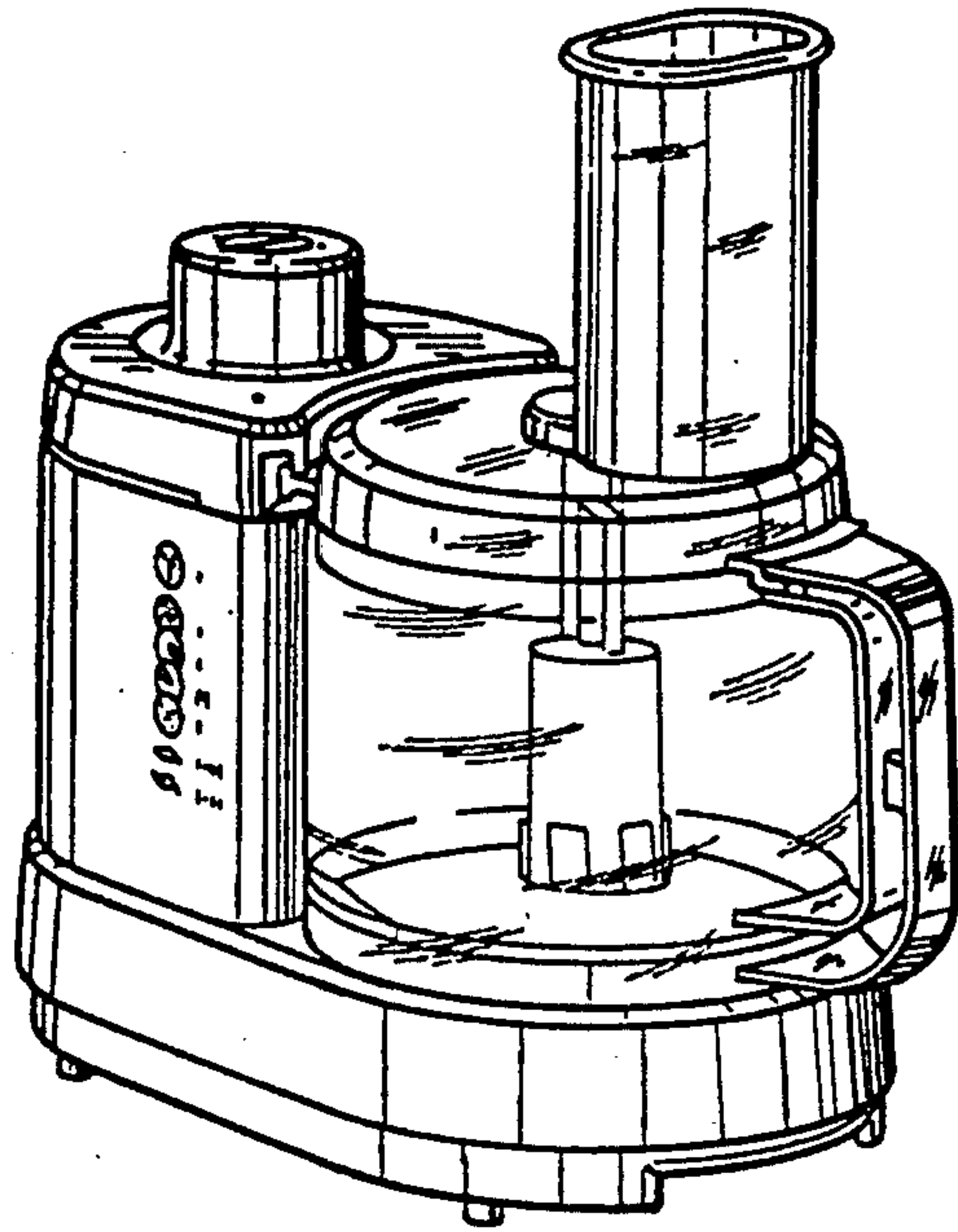


FIG. 1

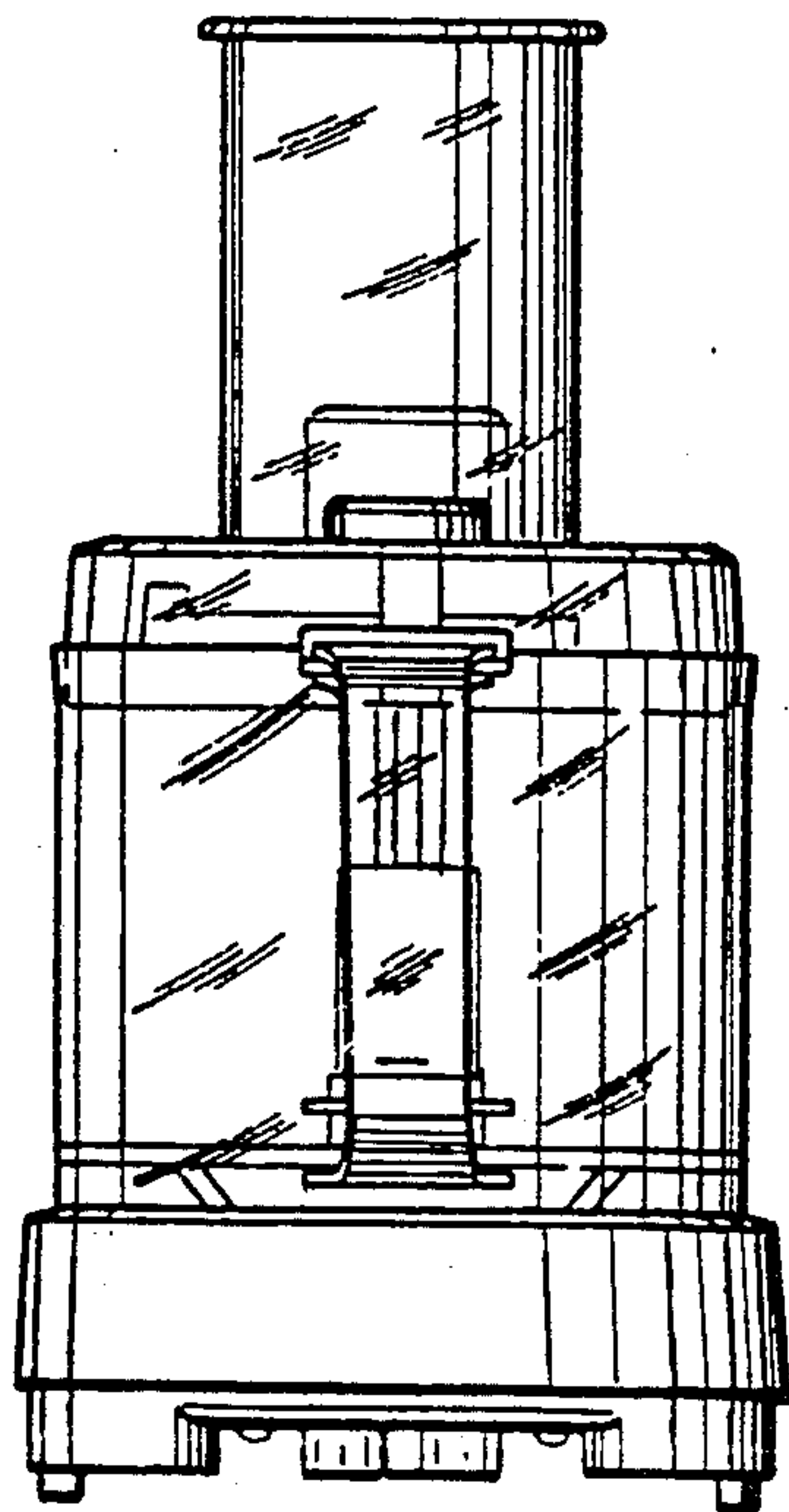
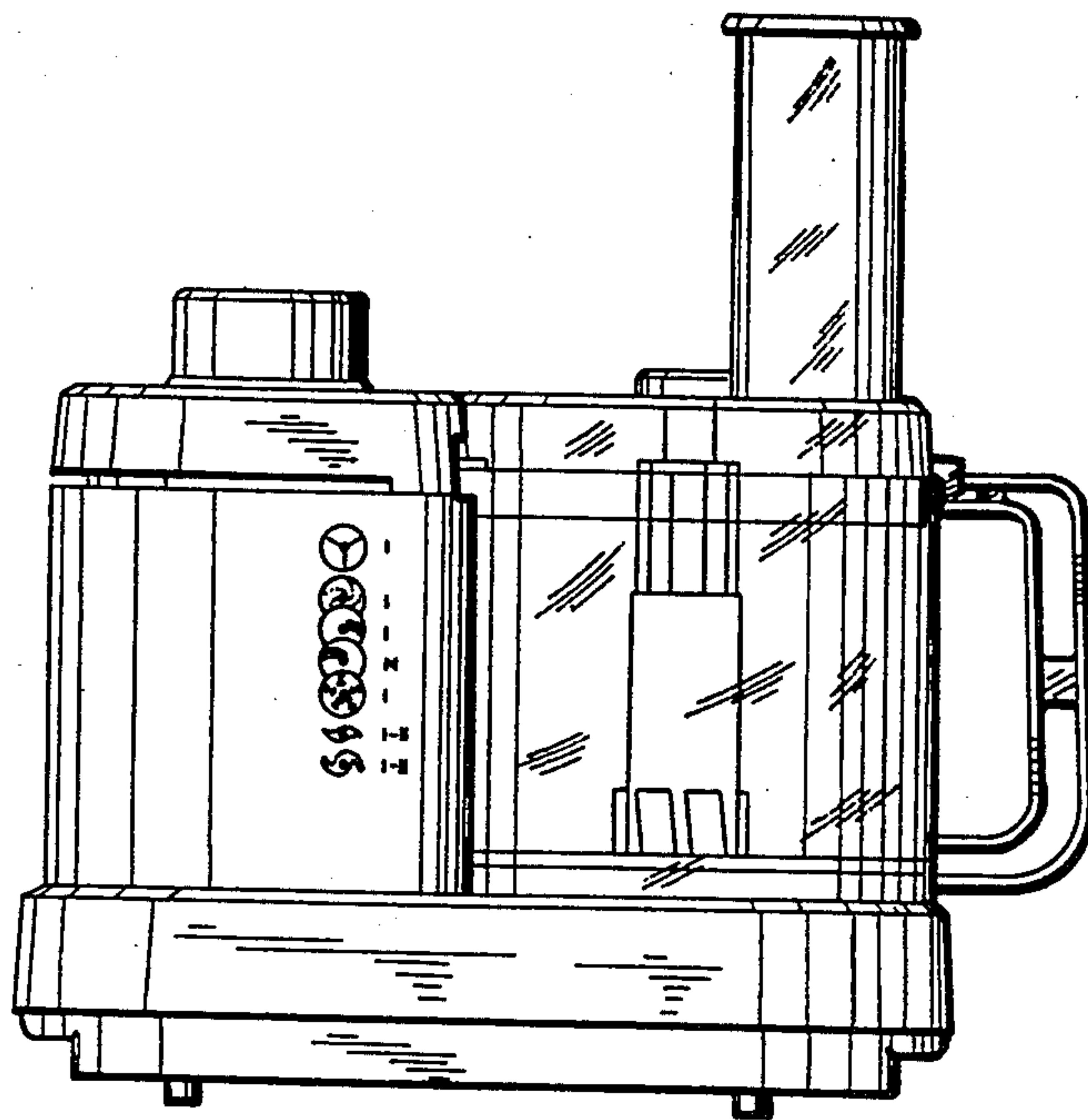


FIG. 3

FIG. 2



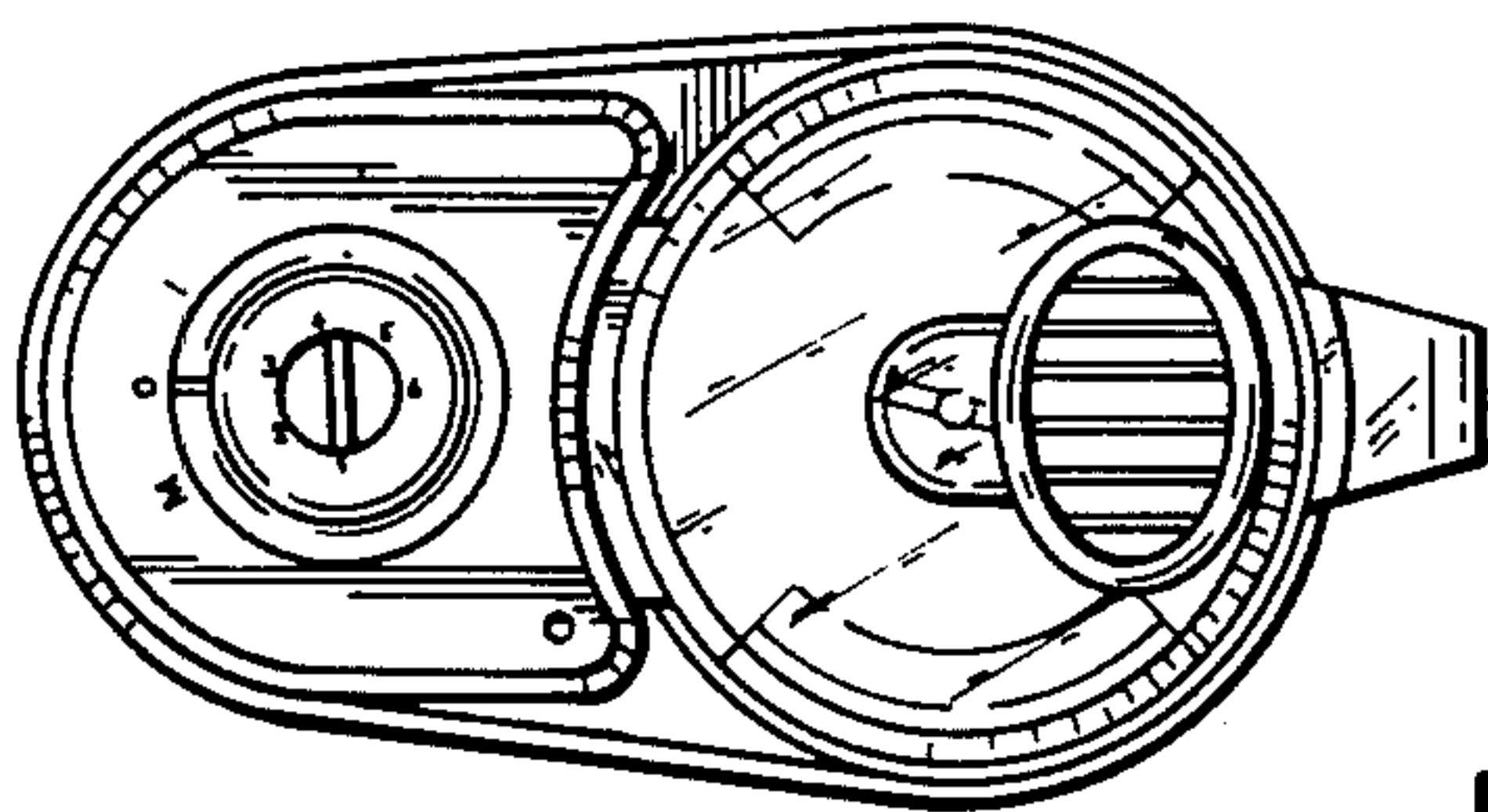


FIG. 4

FIG. 5

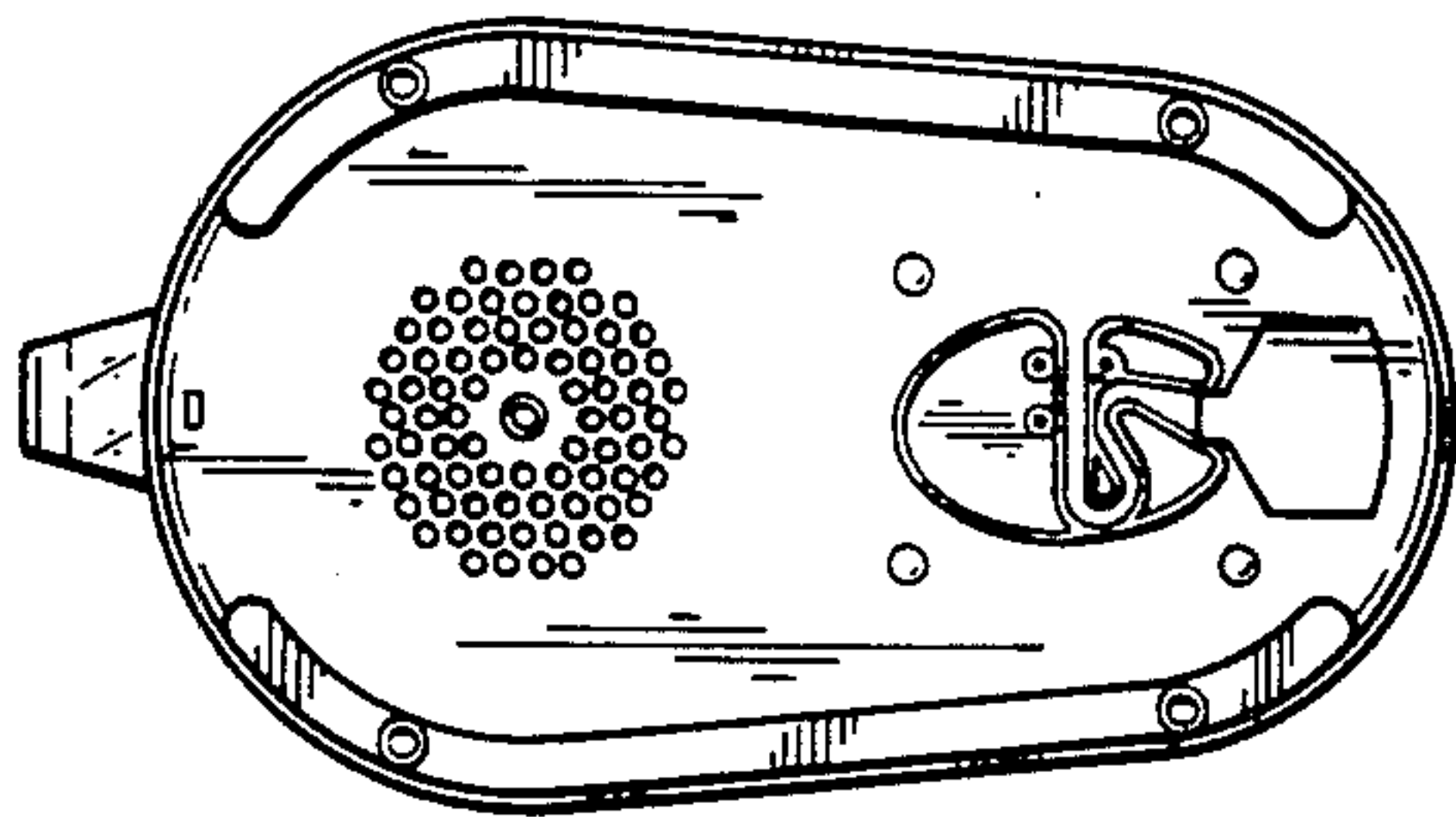


FIG. 6

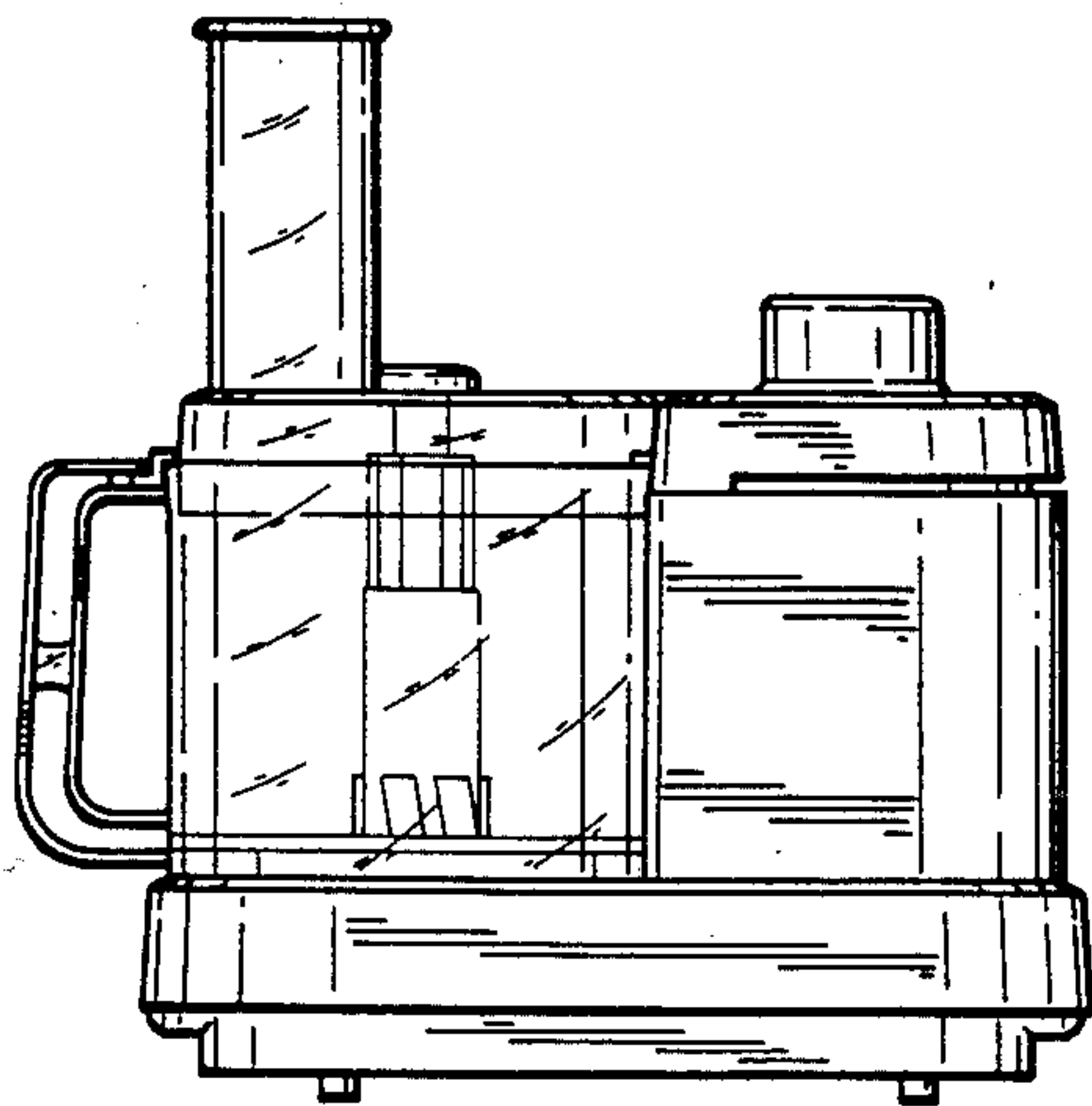


FIG. 7

