

United States Patent [19]

Weernink

[11] Patent Number: **Des. 296,974**

[45] Date of Patent: **** Aug. 2, 1988**

[54] **VACUUM JUG**

[76] Inventor: **Johannes H. Weernink**, Rijssenseweg
8, Ambt-Delden, Netherlands

[**] Term: **14 Years**

[21] Appl. No.: **812,346**

[22] Filed: **Dec. 23, 1985**

[30] **Foreign Application Priority Data**

Jul. 1, 1985 [NL] Netherlands 60168 00

[52] U.S. Cl. **D7/317; D7/319**

[58] Field of Search **D7/300, 312, 310, 316-322,
D7/77, 51**

[56] **References Cited**

U.S. PATENT DOCUMENTS

D. 201,632 7/1965 Wirkkala D7/317

D. 229,657 12/1973 Cyren D7/317

D. 285,520 9/1986 Ferm et al. D7/321

OTHER PUBLICATIONS

Abitare 200, Dec., 1981, p. 96, right col., Flasks by Stelton, designed by Erik Magnussen.

Primary Examiner—Winifred E. Herrmann
Attorney, Agent, or Firm—Arthur B. Colvin

[57] **CLAIM**

The ornamental design for a vacuum jug, as shown.

DESCRIPTION

FIG. 1 is a top, rear, and side perspective view of a vacuum jug showing my new design;

FIG. 2 is a top plan view thereof;

FIG. 3 is a side elevational view of the opposite side shown in FIG. 1;

FIG. 4 is a front elevational view;

FIG. 5 is a rear elevational view, and

FIG. 6 is a bottom plan view.

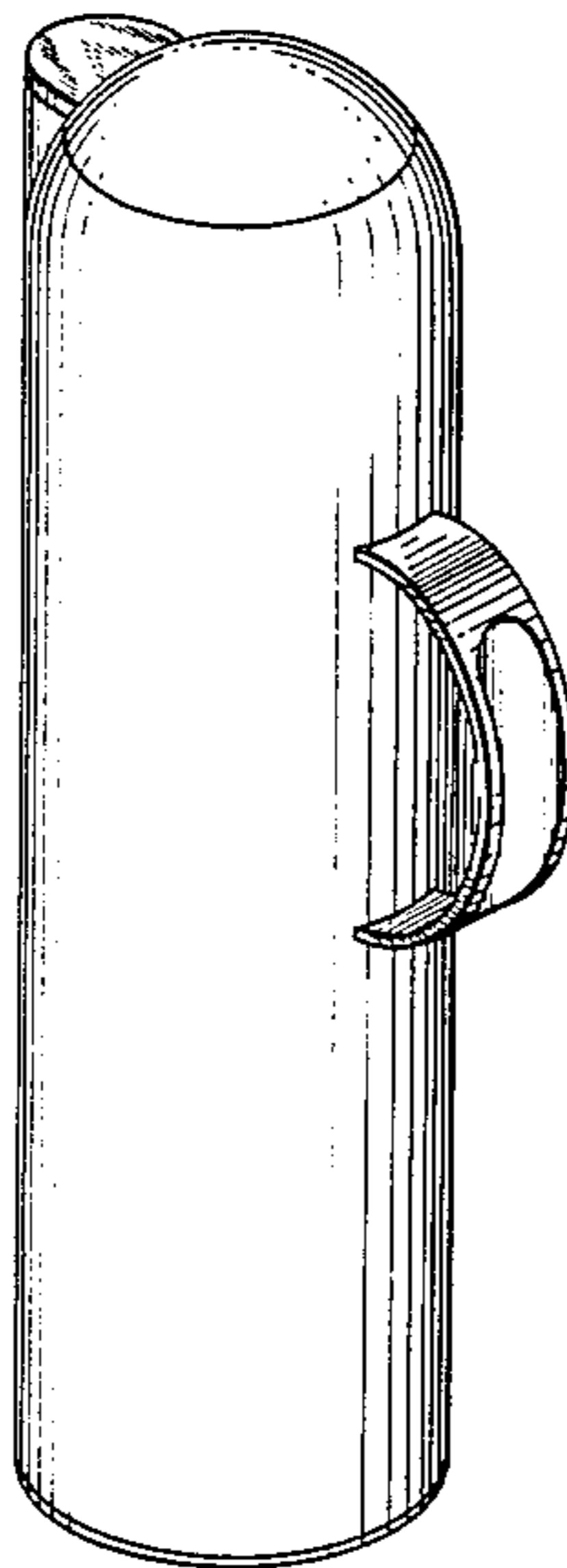


FIG. 2

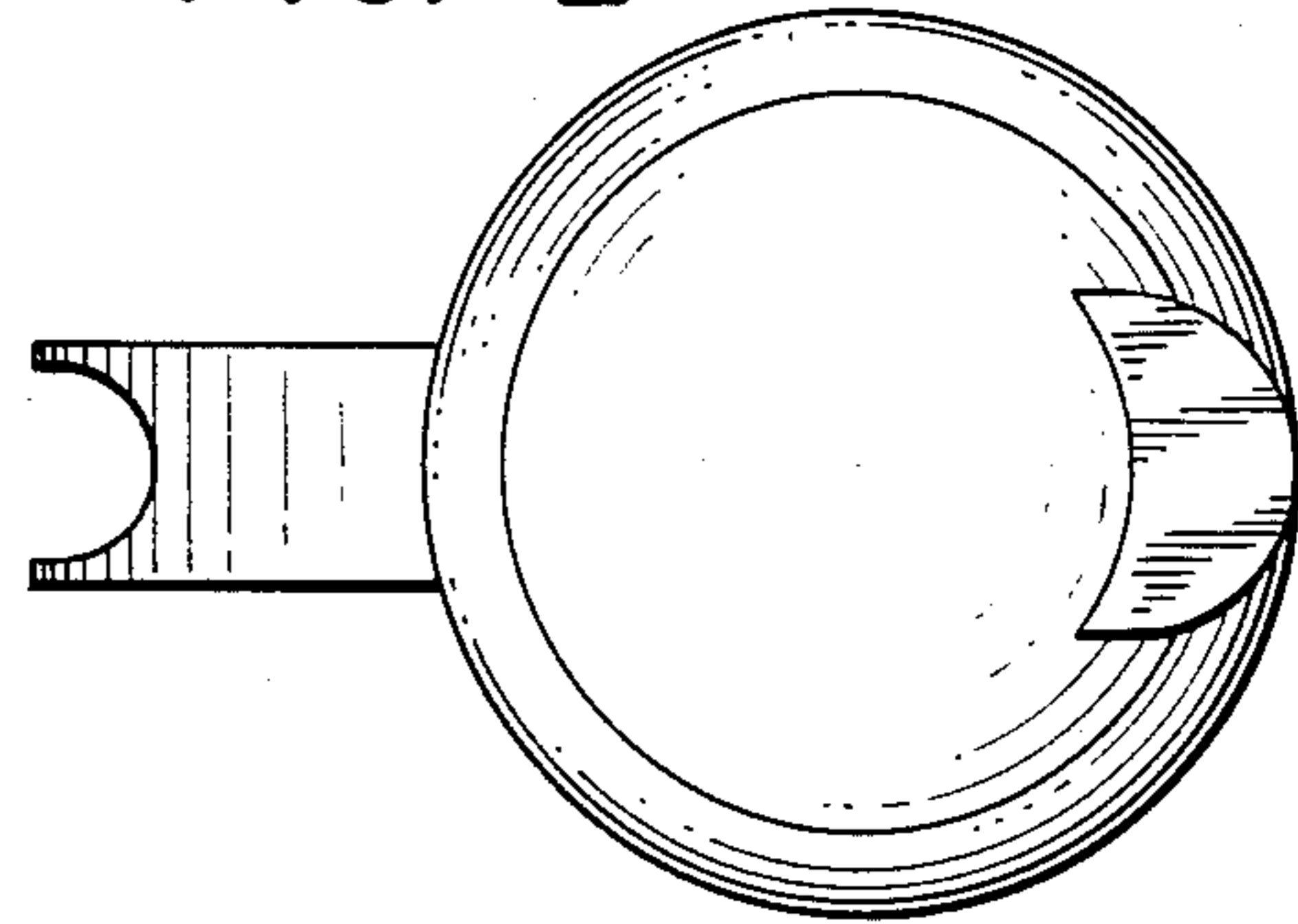


FIG. 1

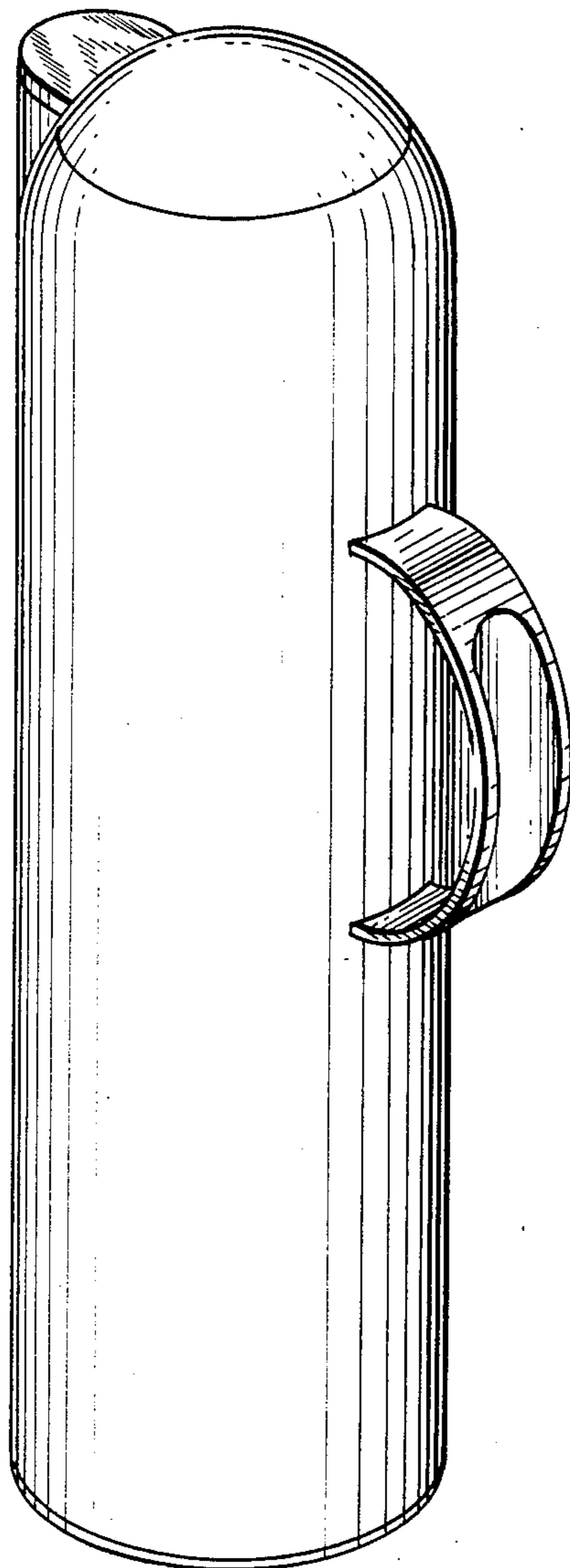


FIG. 3

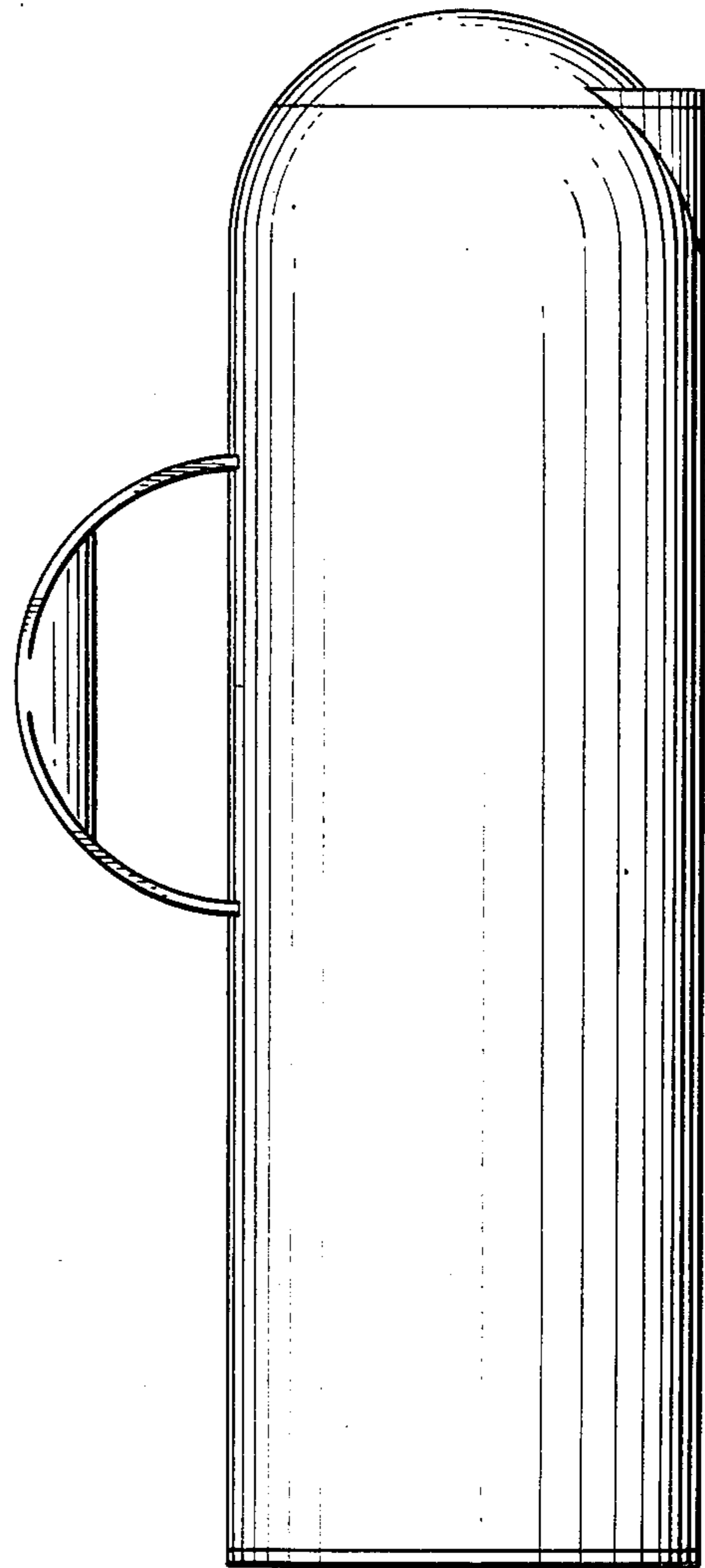


FIG. 4

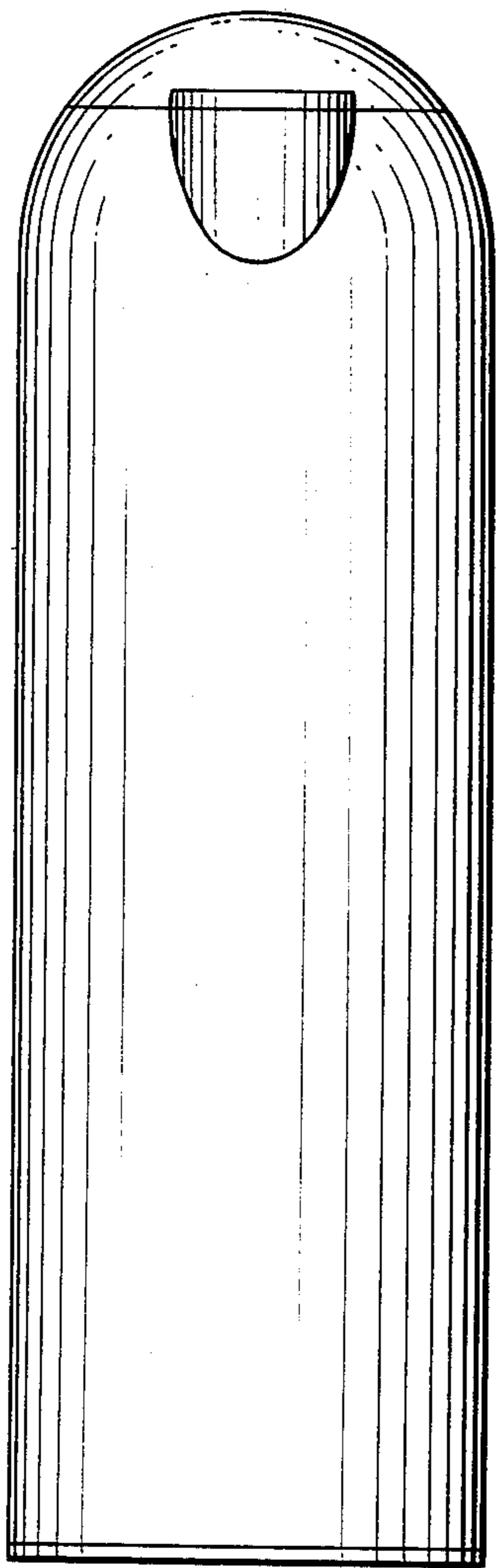


FIG. 5

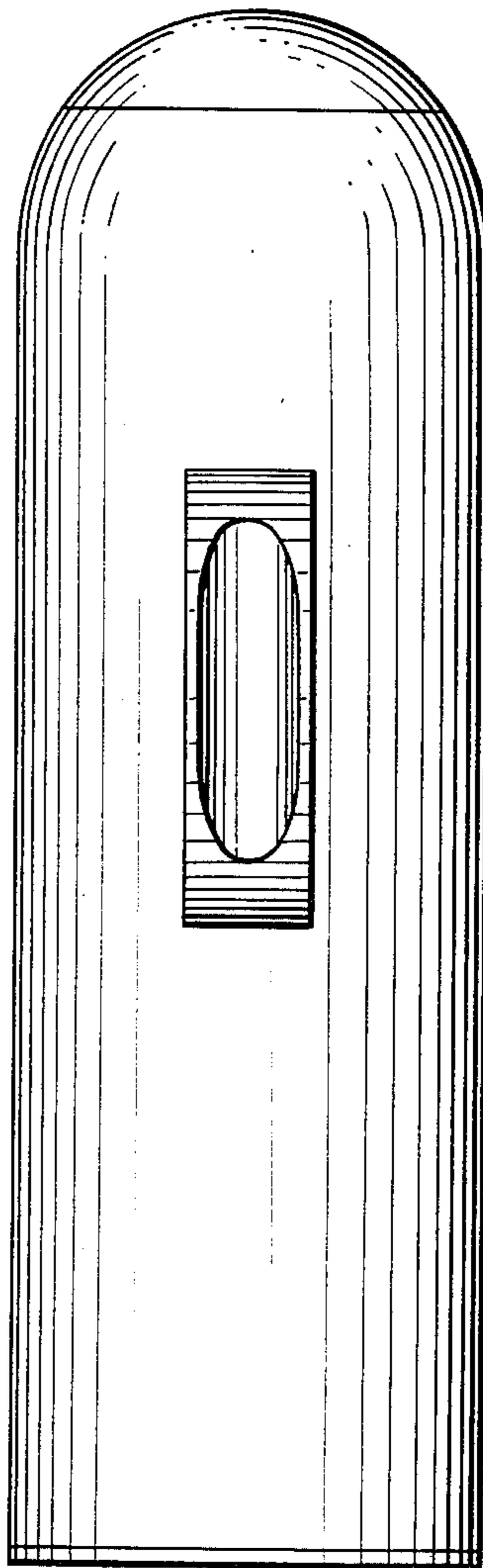
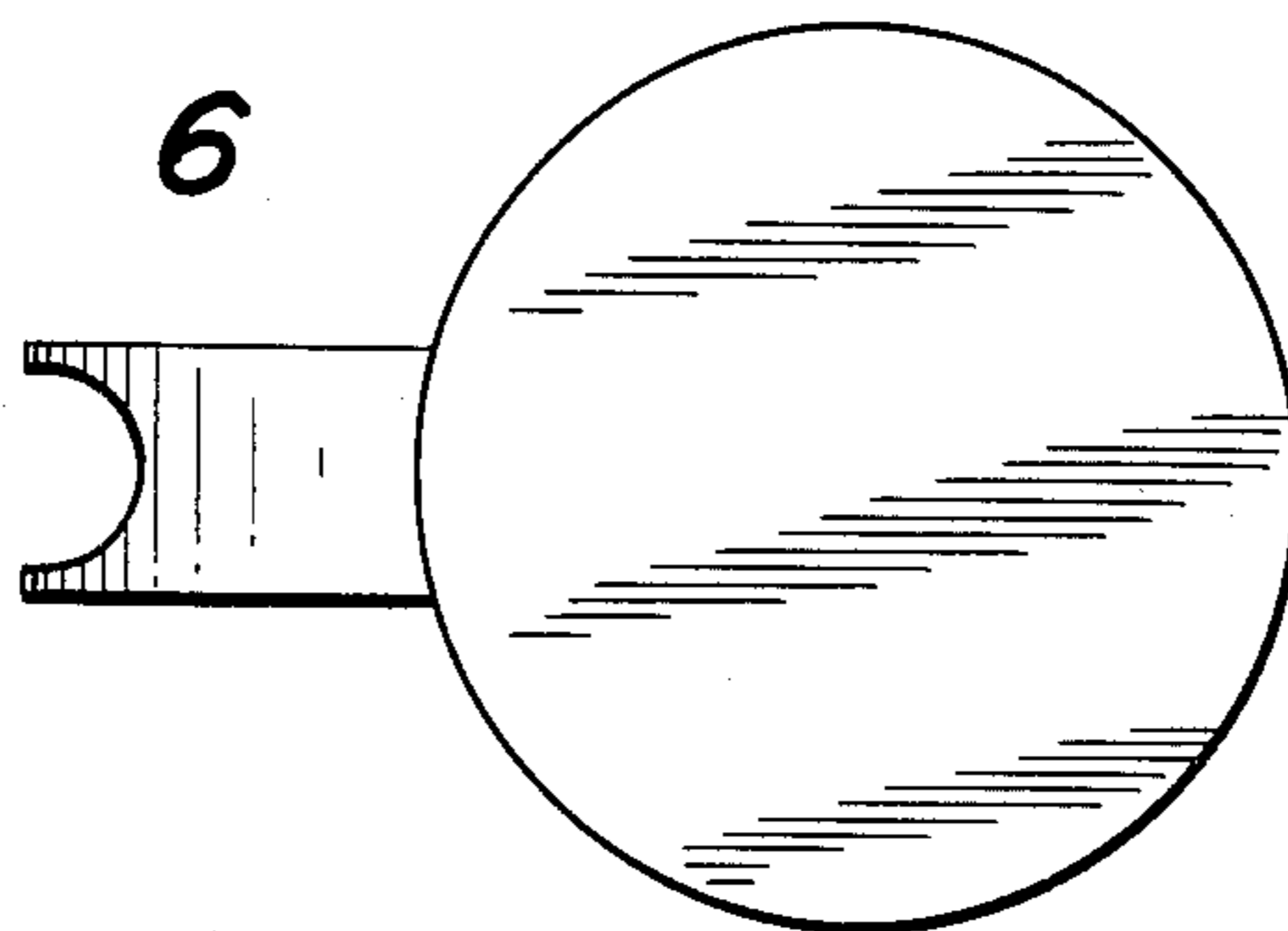


FIG. 6



UNITED STATES PATENT OFFICE
CERTIFICATE OF CORRECTION

PATENT NO. : Des. 296,974
DATED : August 2, 1988
INVENTOR(S) : Johannes H. Weernink

It is certified that error appears in the above-identified patent and that said Letters Patent are hereby corrected as shown below:

On the title page insert:

-- Assignee: Mepal-Service B.V.,
The Netherlands. --.

Signed and Sealed this
Fourteenth Day of March, 1989

Attest:

Attesting Officer

DONALD J. QUIGG

Commissioner of Patents and Trademarks