

[54] CARAFE

[75] Inventor: Ambrogio Pozzi, Gallarate, Italy

[73] Assignee: Fratelli Guzzini S.p.A., Recanati, Italy

[**] Term: 14 Years

[21] Appl. No.: 777,606

[22] Filed: Sep. 19, 1985

[30] Foreign Application Priority Data

Mar. 22, 1985 [IT] Italy 21186/85[U]
[52] U.S. Cl. D7/317; D7/319
[58] Field of Search D7/300, 305, 312, 316-322,
D7/310, 77, 51; D9/386, 398

[56] References Cited

U.S. PATENT DOCUMENTS

D. 43,854	4/1913	Sanford	D7/319
D. 97,920	12/1935	Cowan	D7/321
D. 257,313	10/1980	Painter	D7/317
D. 270,602	9/1983	Fritz	D7/319

OTHER PUBLICATIONS

Bloomington's Insider, brochure, inside fully open, "Polygon" Coffee Pot by Wirkkala.

Primary Examiner—Winifred E. Herrmann
Attorney, Agent, or Firm—Hedman, Gibson, Costigan & Hoare

[57] CLAIM

The ornamental design for a carafe, as shown and described.

DESCRIPTION

FIG. 1 is a side elevational view of a carafe showing my new design, the side opposite is similar to the side shown;
FIG. 2 is a view thereof taken in the direction of the arrow 2 on FIG. 1.
FIG. 3 is a view thereof taken in the direction of the arrow 3 on FIG. 1.
FIG. 4 is a top plan view thereof;
FIG. 5 is a bottom plan view thereof;
FIG. 6 is a sectional view thereof taken on line 6—6 of FIG. 4.

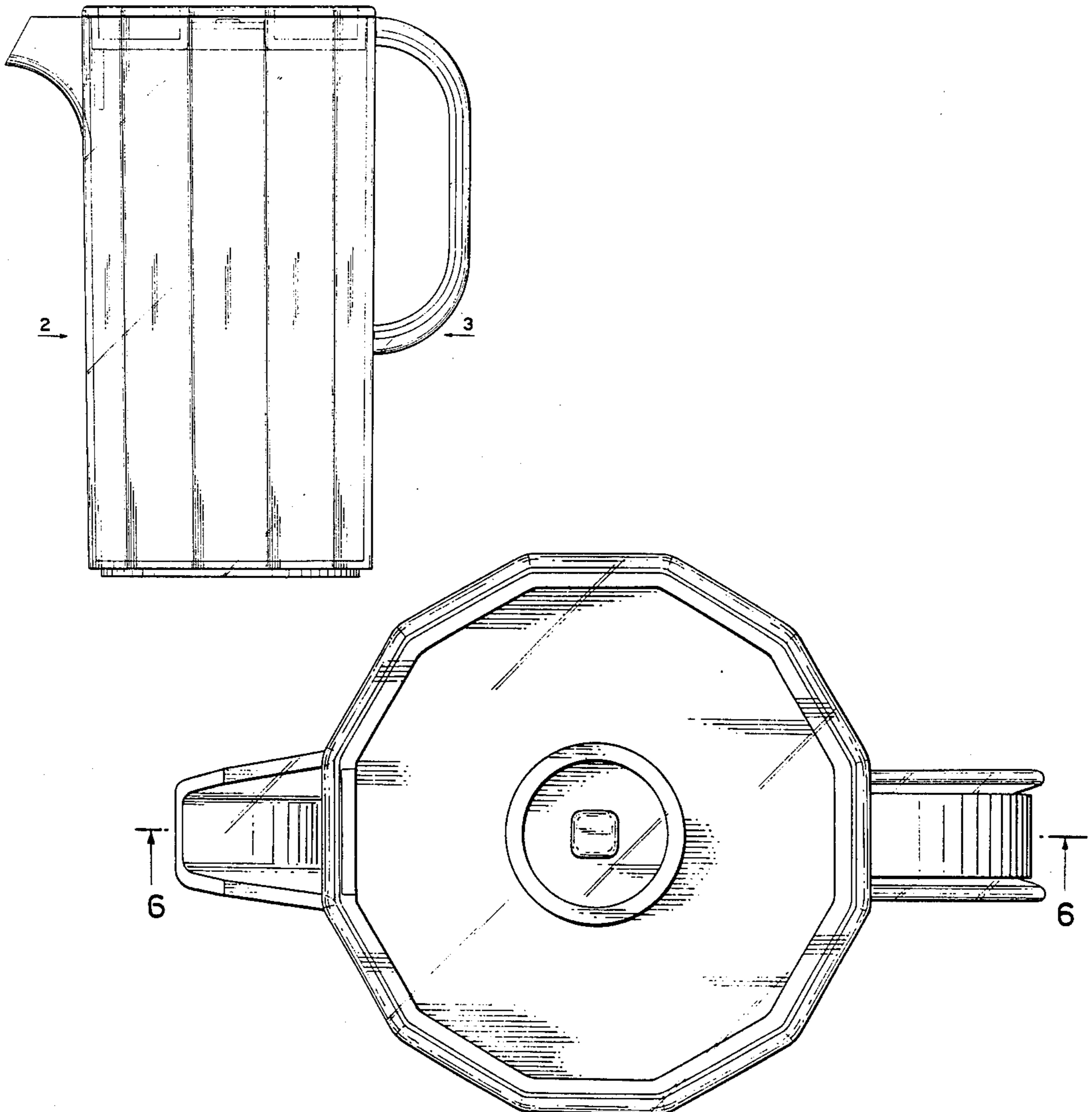


Fig. 1

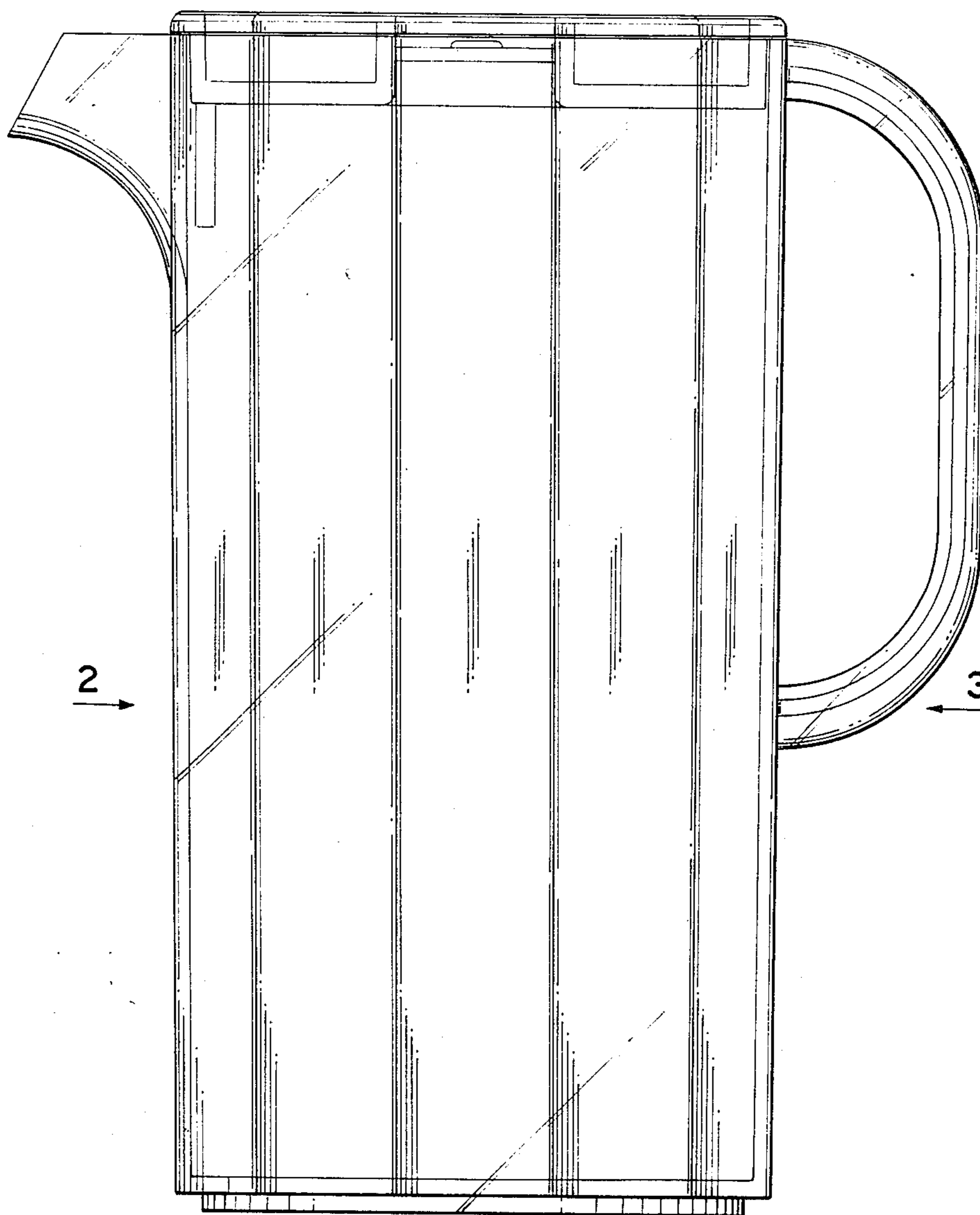


Fig. 2

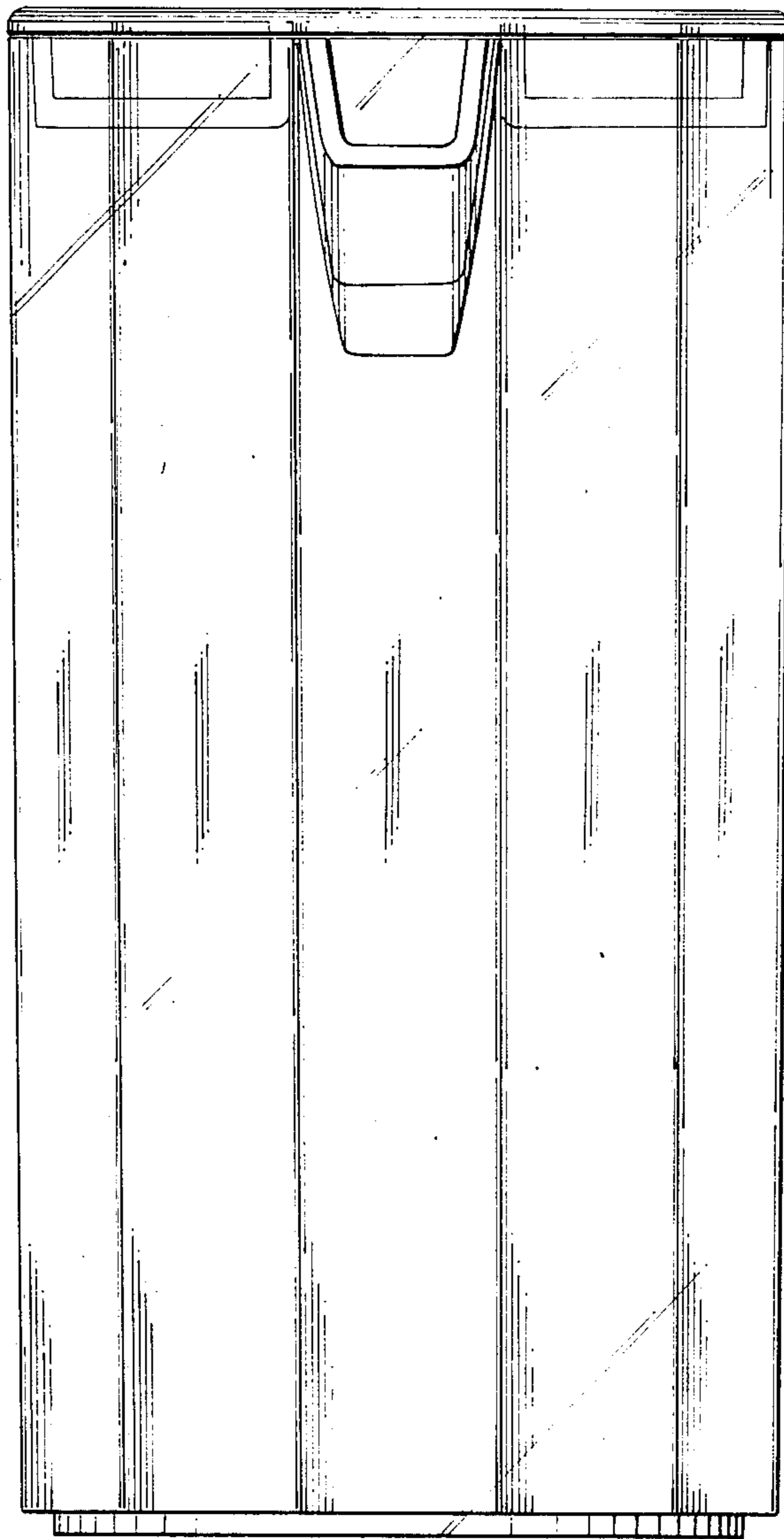


Fig. 3

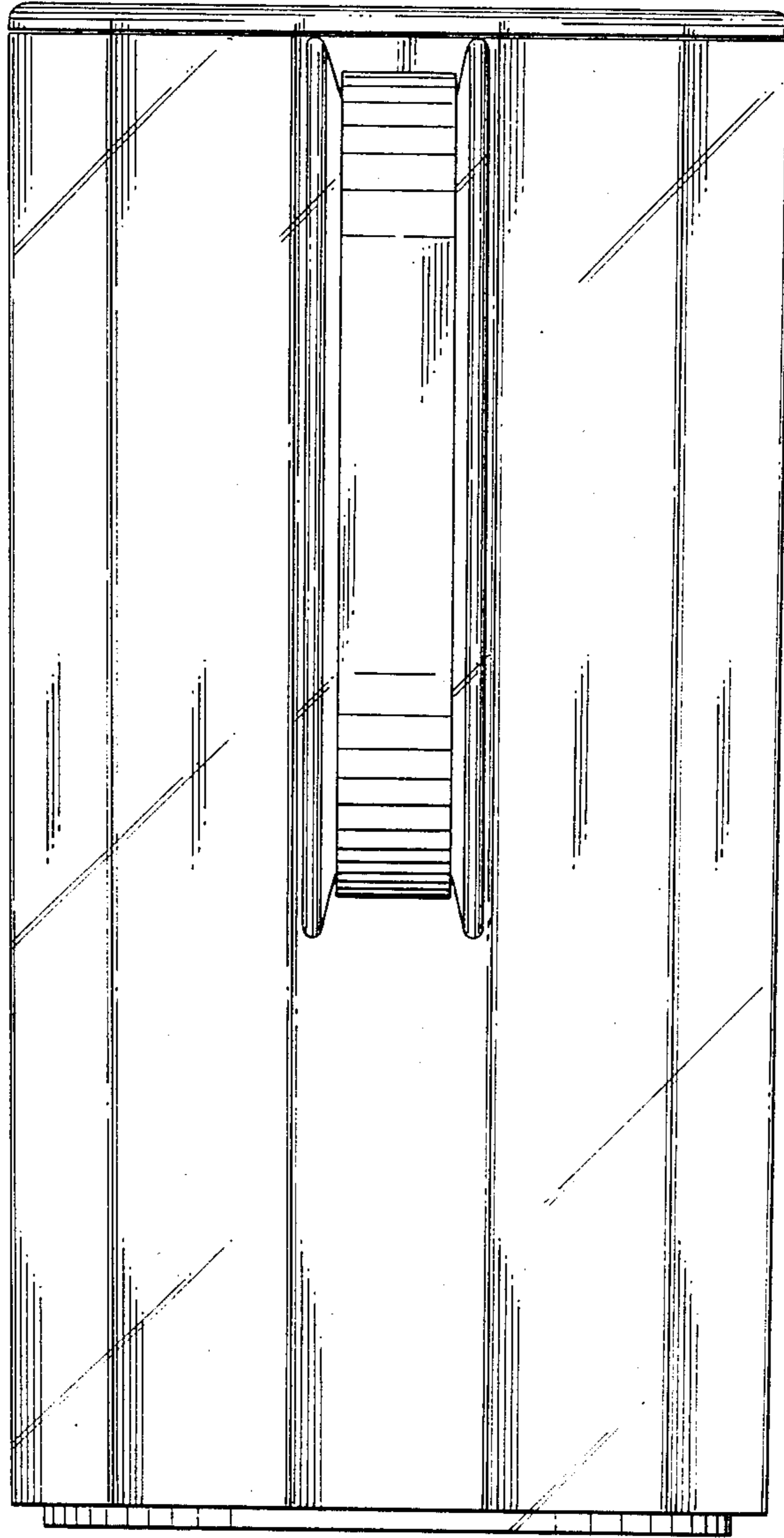


Fig.4

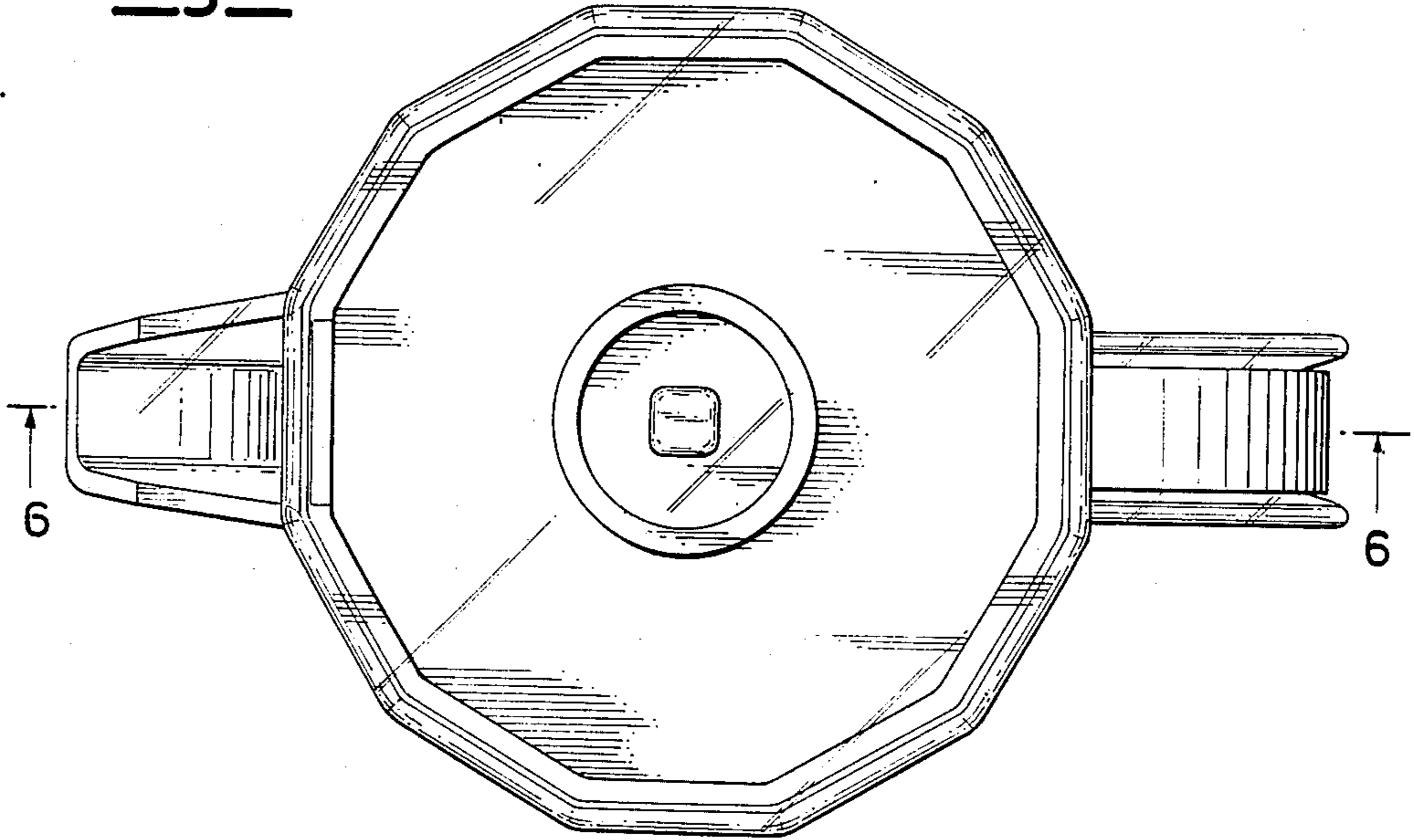


Fig.5

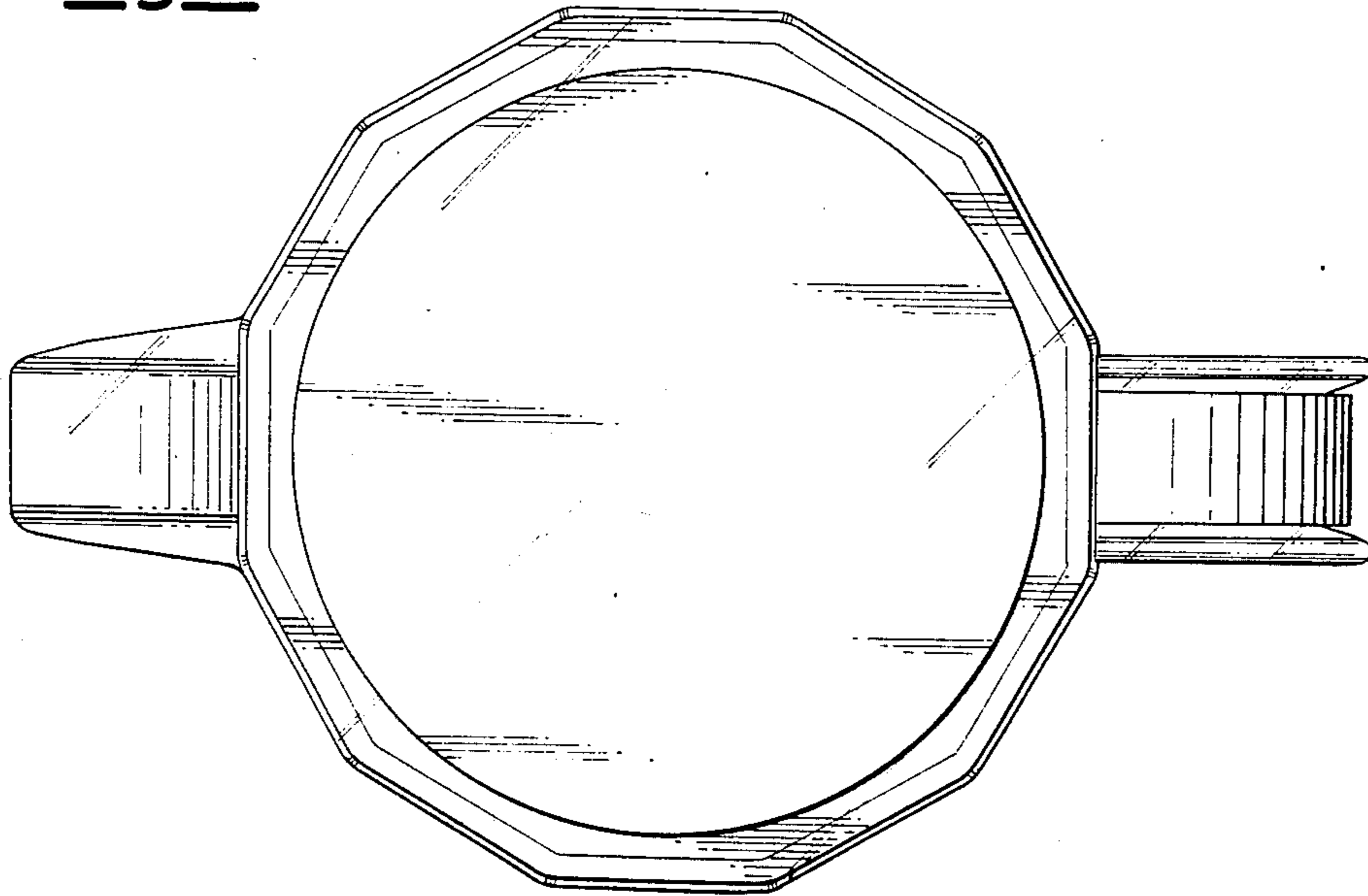


Fig. 6

