

[54] **STRAINER**

[75] **Inventor: Arthur R. Carlson, Rowville, Australia**

[73] **Assignee: The Decor Corporation Proprietary Limited, Scoresby, Australia**

[\*\*] **Term: 14 Years**

[21] **Appl. No.: 787,742**

[22] **Filed: Oct. 15, 1985**

[52] **U.S. Cl. .... D7/47**

[58] **Field of Search ..... D7/47, 361; 210/470, 210/471; 206/0.5**

[56] **References Cited**

**U.S. PATENT DOCUMENTS**

915,055 3/1909 Hunt ..... 210/470 X  
2,913,121 11/1959 Randolph-Randolph ..... D7/470 X

**OTHER PUBLICATIONS**

Design 396, 12/81, p. 54, Strainer.

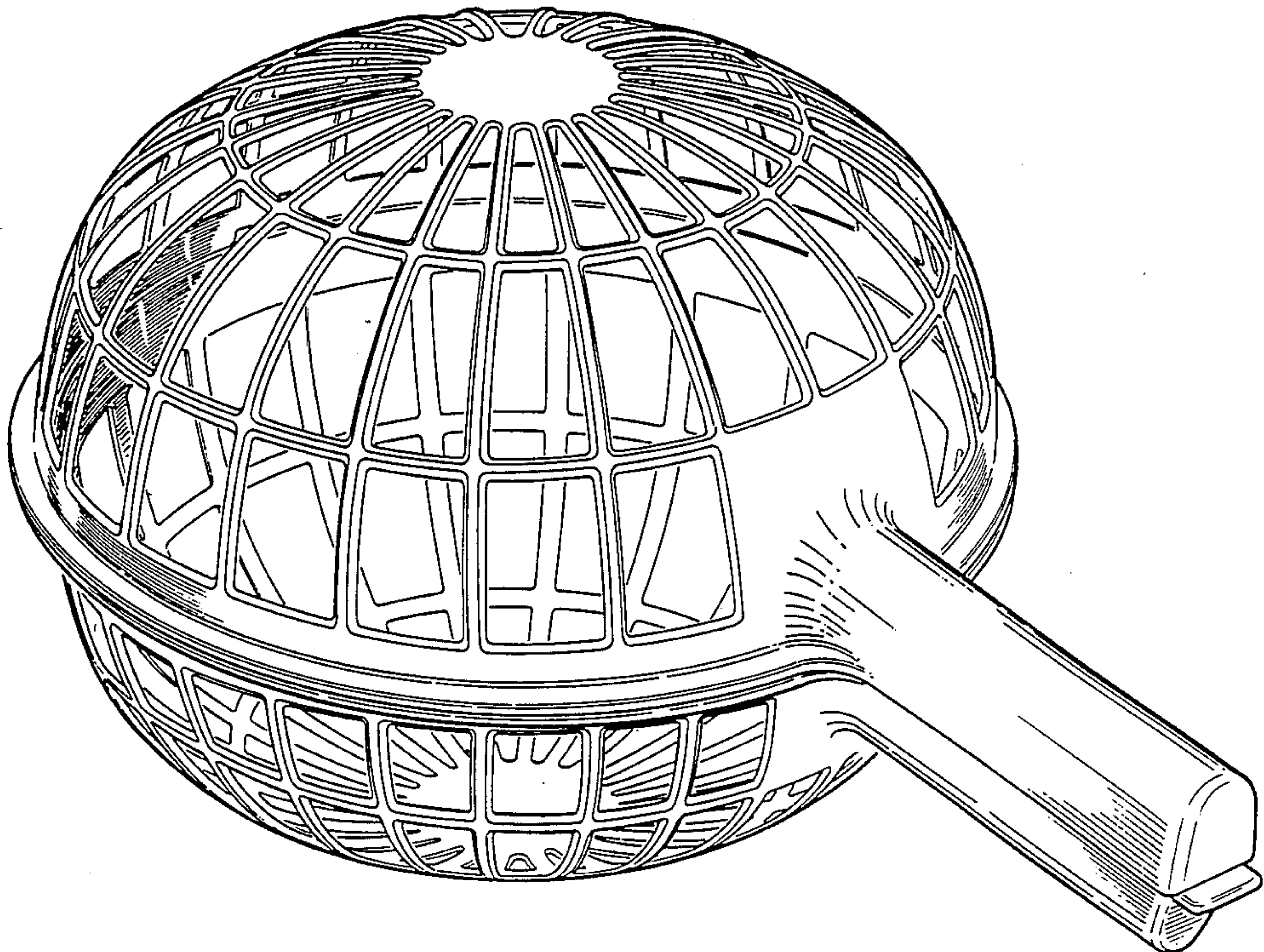
*Primary Examiner*—Bernard Ansher  
*Assistant Examiner*—Terry Pfeffer  
*Attorney, Agent, or Firm*—Trexler, Bushnell, Giangiorgi & Blackstone, Ltd.

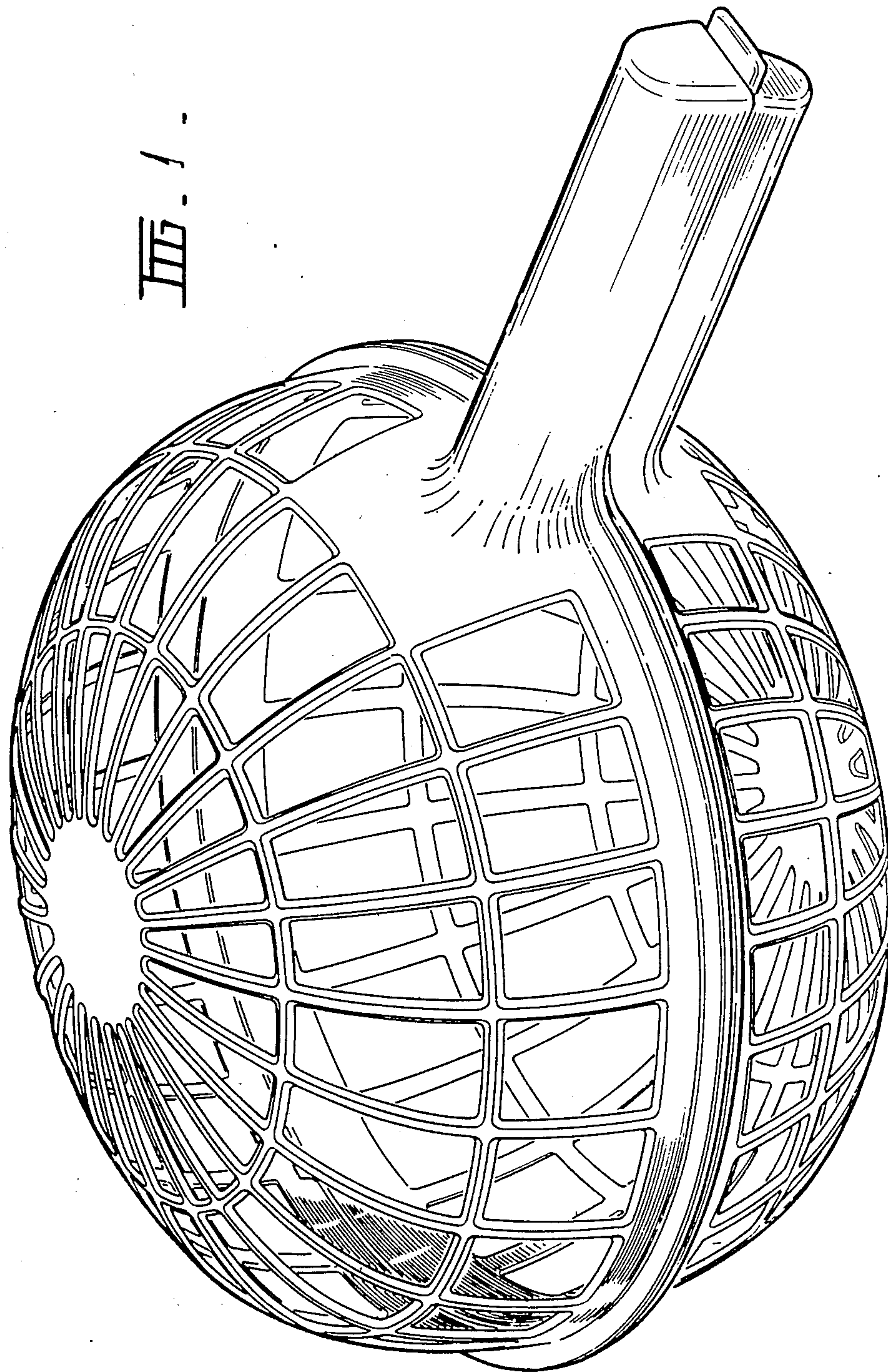
[57] **CLAIM**

The ornamental design for a strainer, as shown.

**DESCRIPTION**

FIG. 1 is a top perspective view of a strainer, showing my new design;  
FIG. 2 is a left side elevational view thereof;  
FIG. 3 is a top plan view thereof;  
FIG. 4 is a bottom plan view thereof;  
FIG. 5 is a bottom perspective view thereof, of the upper portion only;  
FIG. 6 is a bottom perspective view thereof, of the lower portion only;  
FIG. 7 is a top perspective view thereof, of the upper portion only;  
FIG. 8 is a top perspective view thereof, of the lower portion only;  
FIG. 9 is an exploded perspective view thereof.





III - 1 -



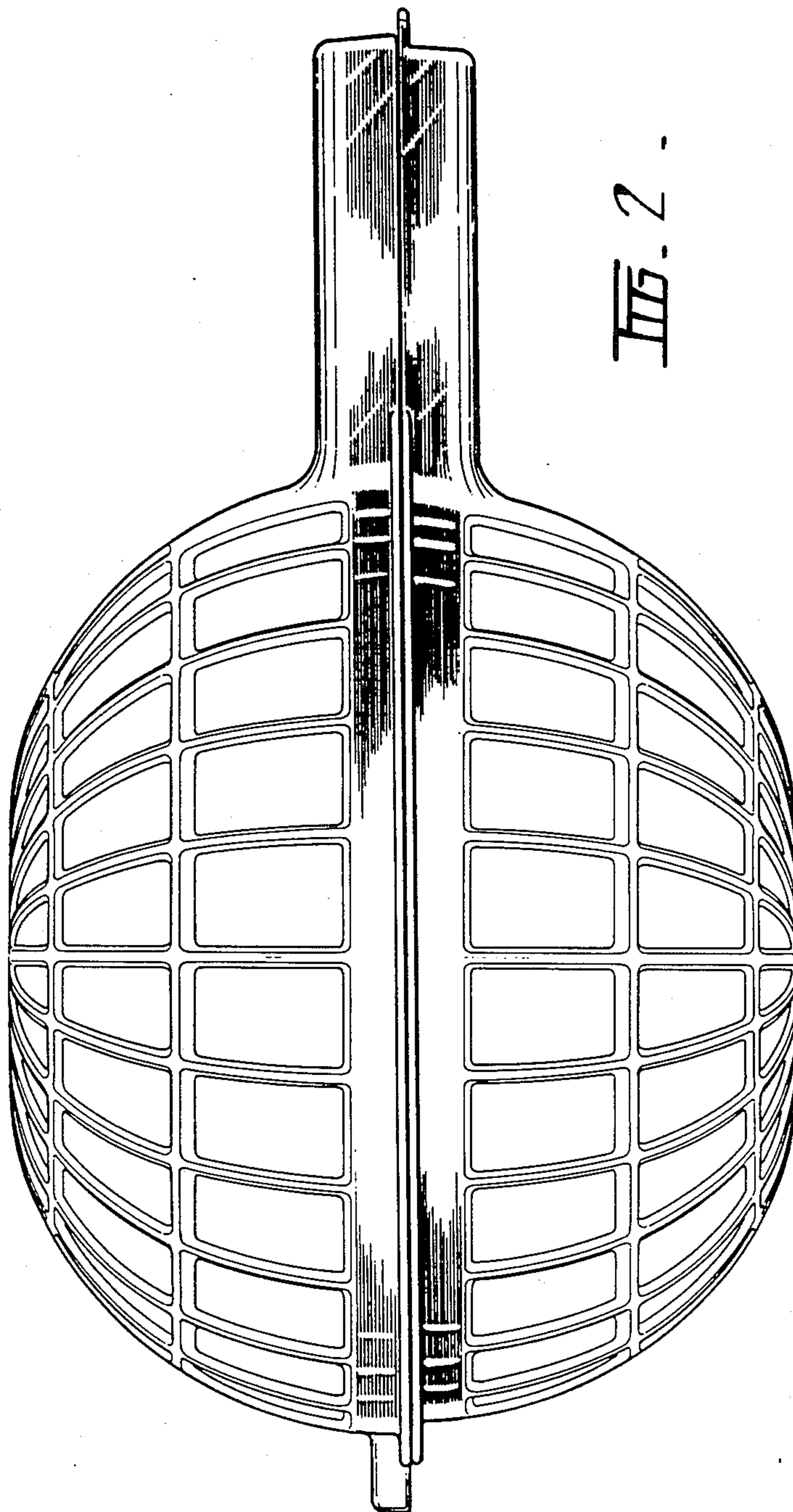


FIG. 3.

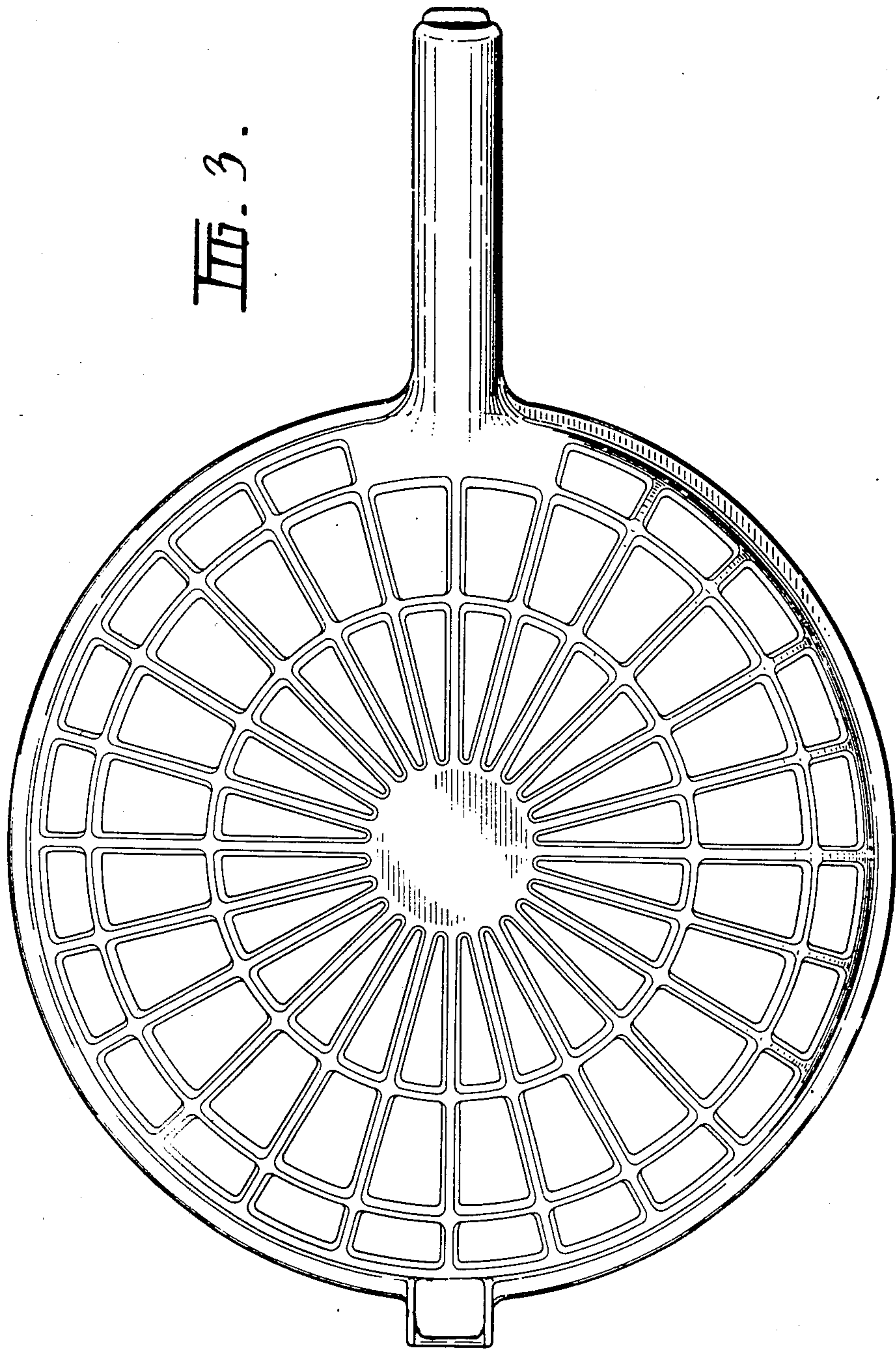
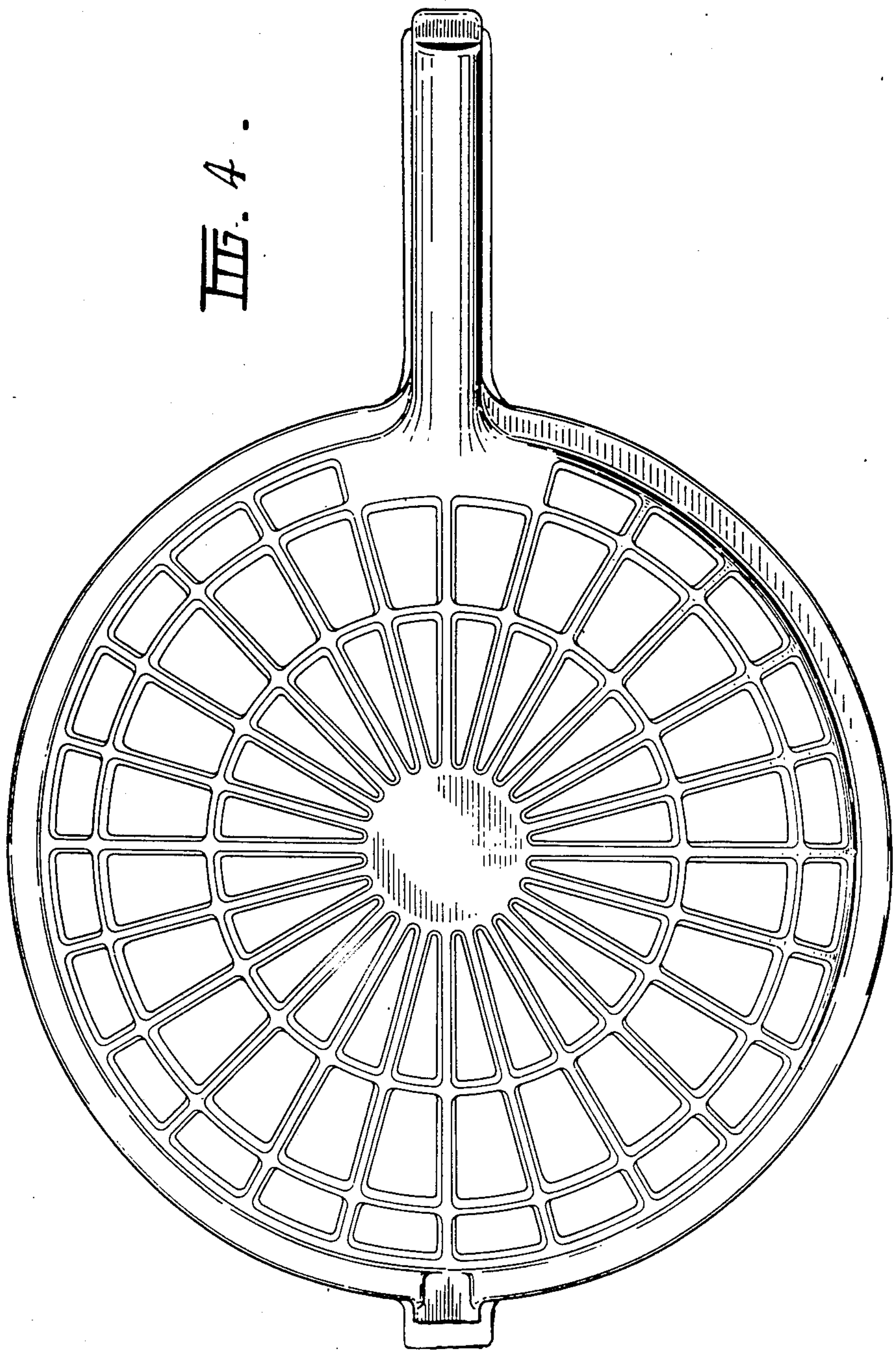
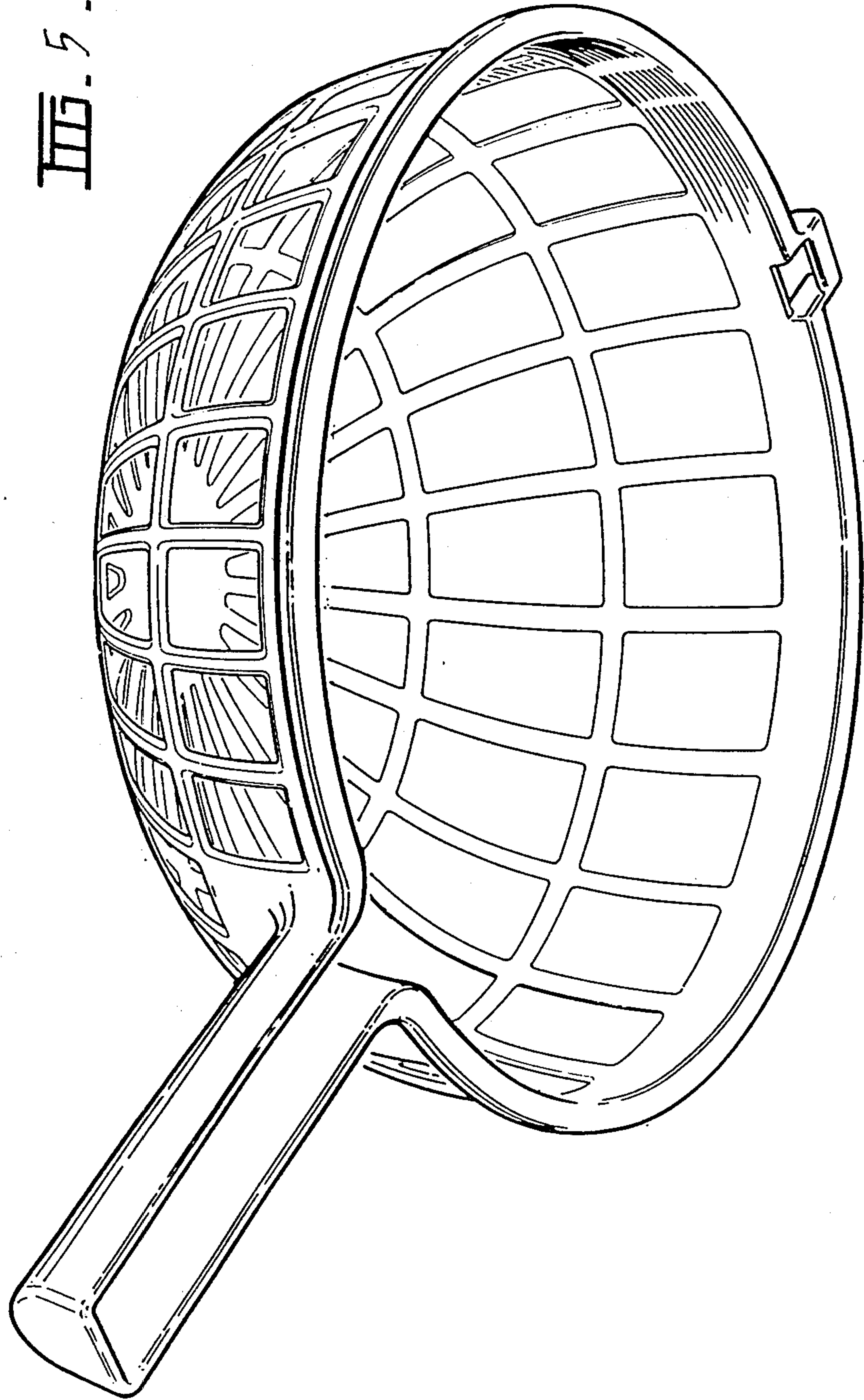


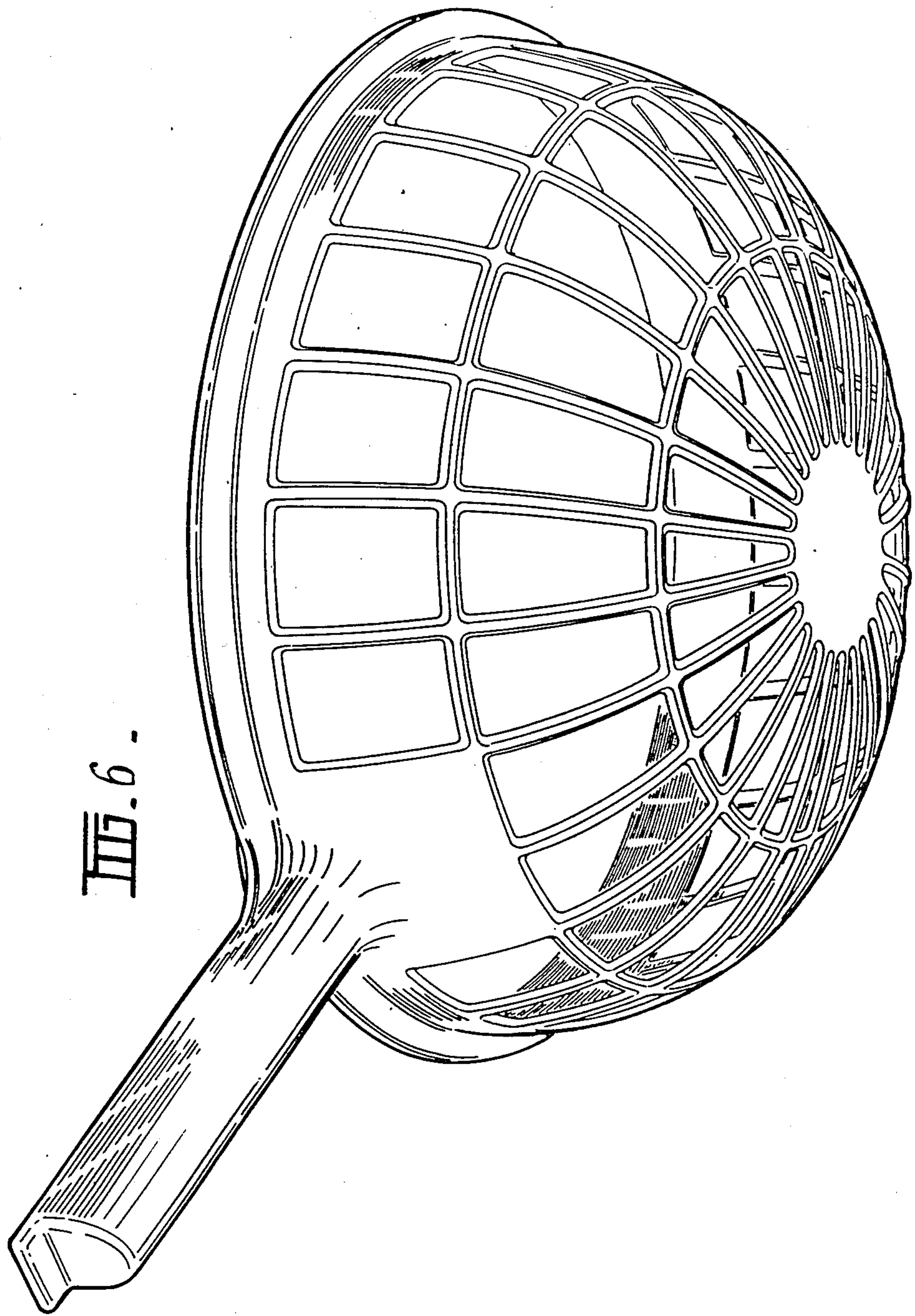


FIG. 4.









III.6.

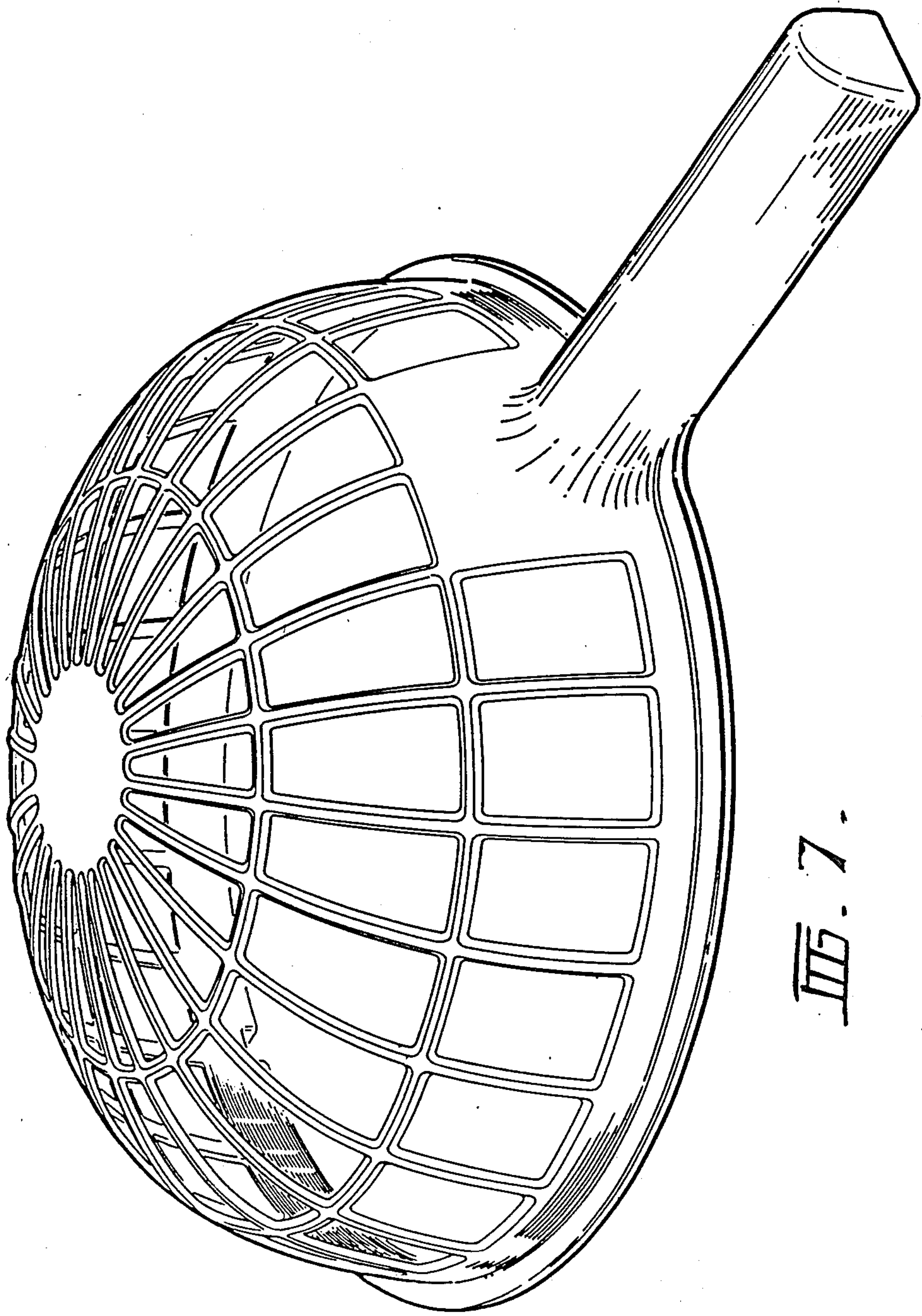


FIG. 7.



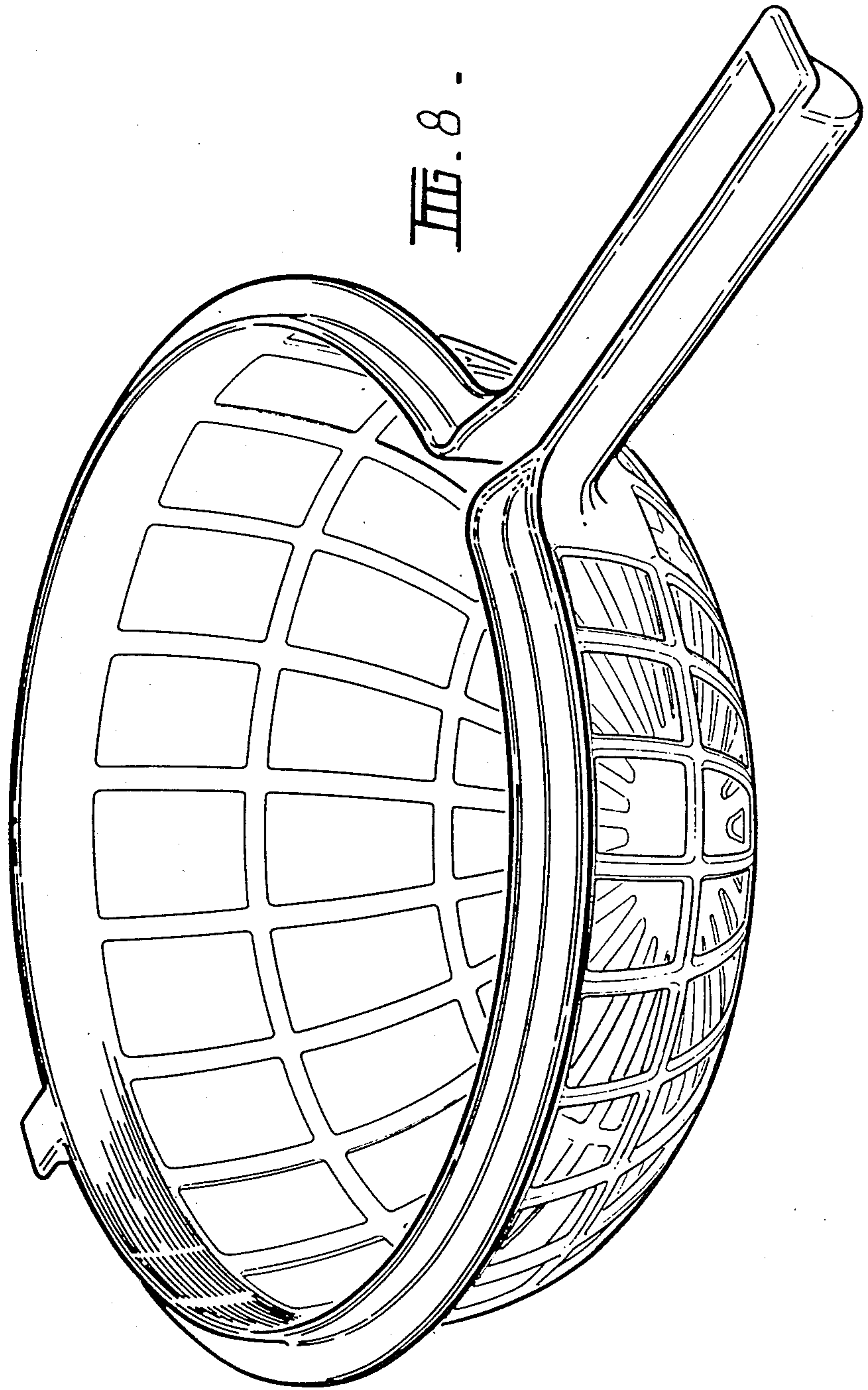


FIG. 8 -

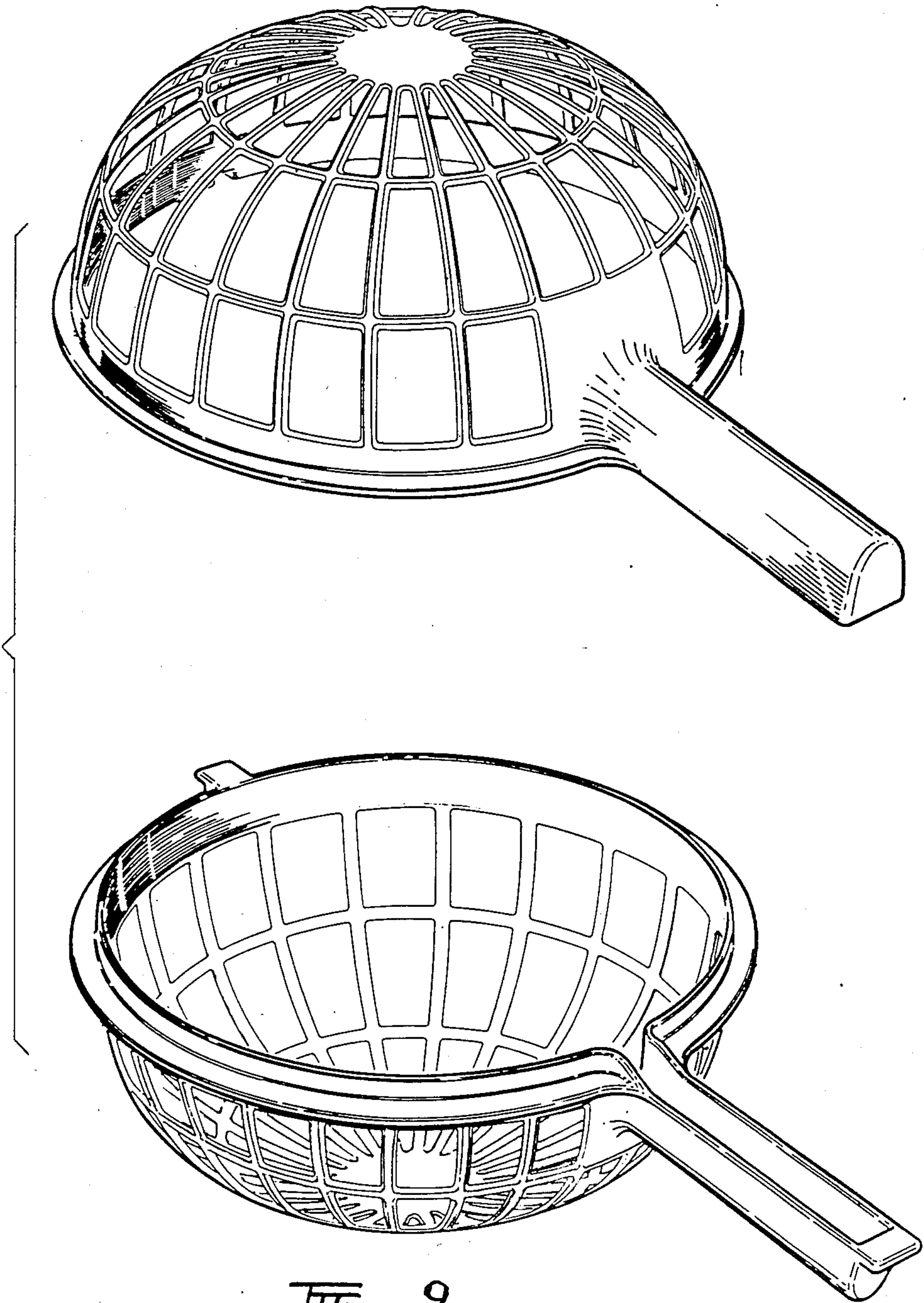


FIG. 9 .