

[54] TRAY

[75] Inventor: Ambrogio Pozzi, Gallarate, Italy

[73] Assignee: Fratelli Guzzini S.p.A., Recanati, Italy

[**] Term: 14 Years

[21] Appl. No.: 777,711

[22] Filed: Sep. 19, 1985

[30] Foreign Application Priority Data

Mar. 21, 1985 [IT] Italy 21186/85[U]

[52] U.S. Cl. D7/21; D7/37

[58] Field of Search D7/37, 38, 21, 19, 18, D7/1, 70; D9/347

[56] References Cited

U.S. PATENT DOCUMENTS

- D. 62,775 7/1923 Haviland D7/21
- D. 73,119 7/1927 Barchoff D7/21
- D. 193,793 10/1962 Brandon D7/21
- D. 256,647 9/1980 Painter et al. D7/21

D. 288,163 2/1987 Ritman D7/21

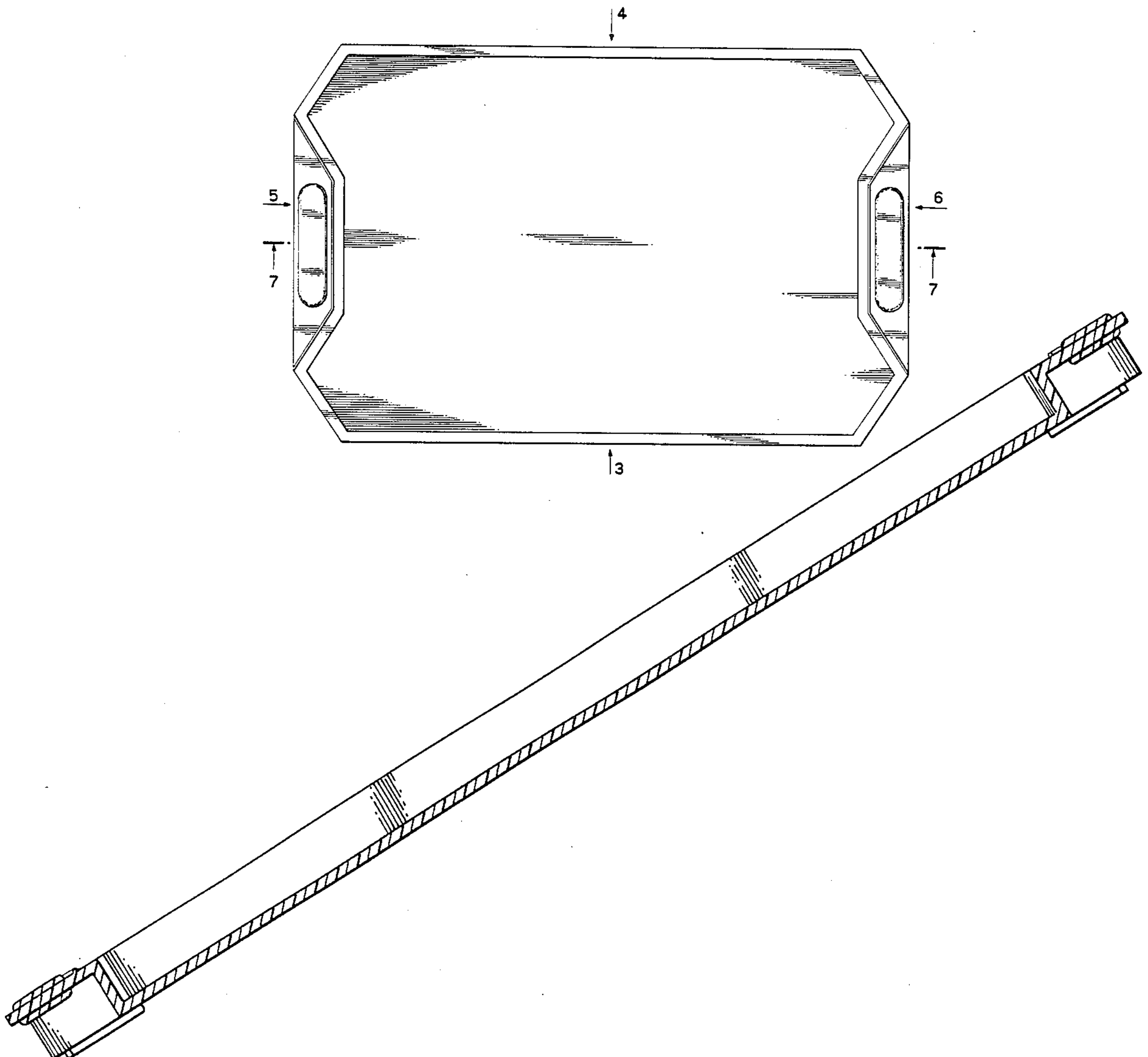
Primary Examiner—Winifred E. Herrmann
Attorney, Agent, or Firm—Hedman, Gibson, Costigan & Hoare

[57] CLAIM

The ornamental design for a tray, as shown and described.

DESCRIPTION

FIG. 1 is a top plan view of a tray showing my new design;
 FIG. 2 is a bottom plan view thereof;
 FIG. 3 is an elevational view thereof taken in the direction of the arrow 3 on FIG. 1;
 FIG. 4 is an elevational view thereof taken in the direction of the arrow 4 on FIG. 1;
 FIG. 5 is an elevational view thereof taken in the direction of the arrow 5 on FIG. 1;
 FIG. 6 is an elevational view thereof taken in the direction of the arrow 6 on FIG. 1;
 FIG. 7 is a longitudinal sectional view thereof according to the line 7—7 on FIG. 1.



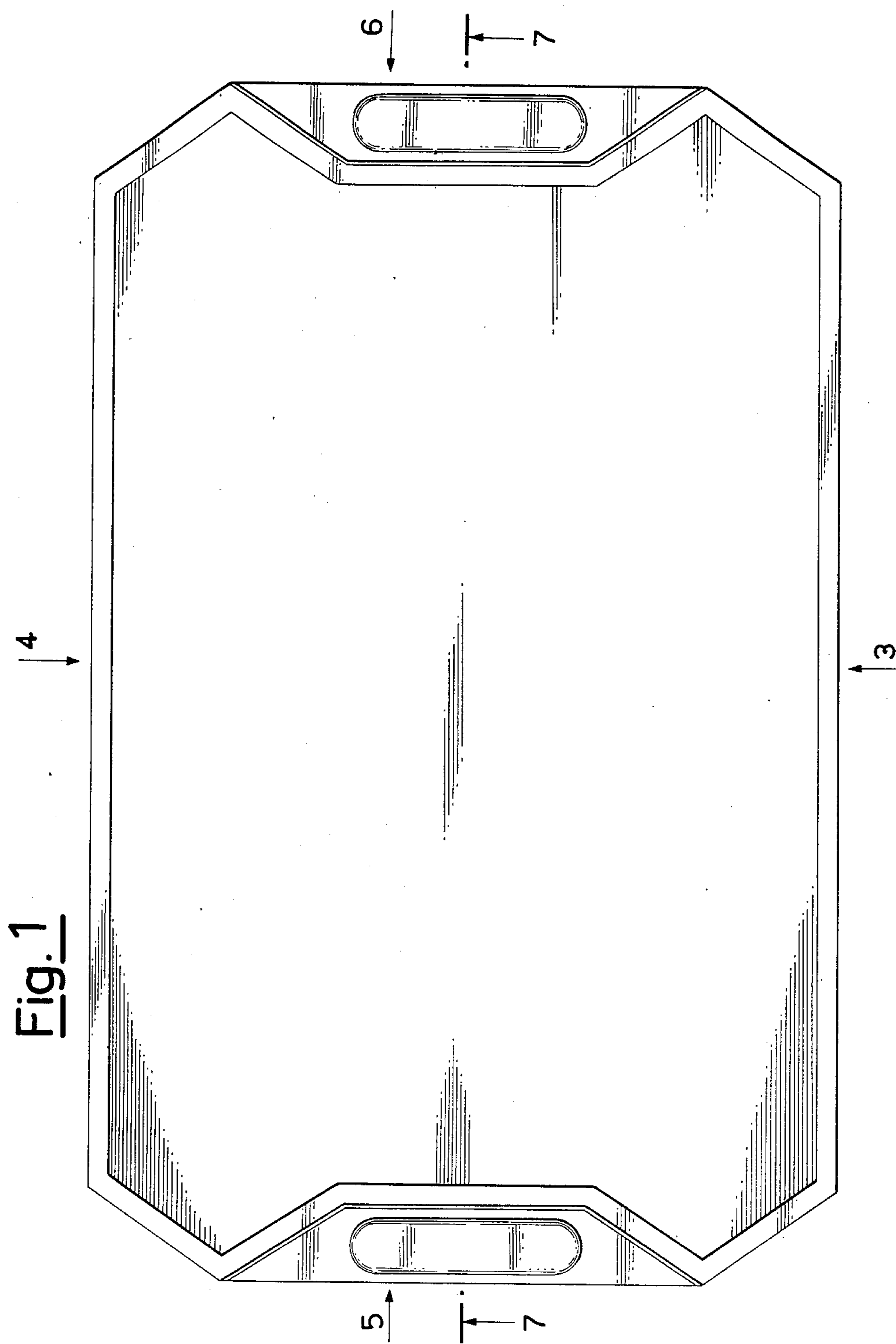


Fig. 2

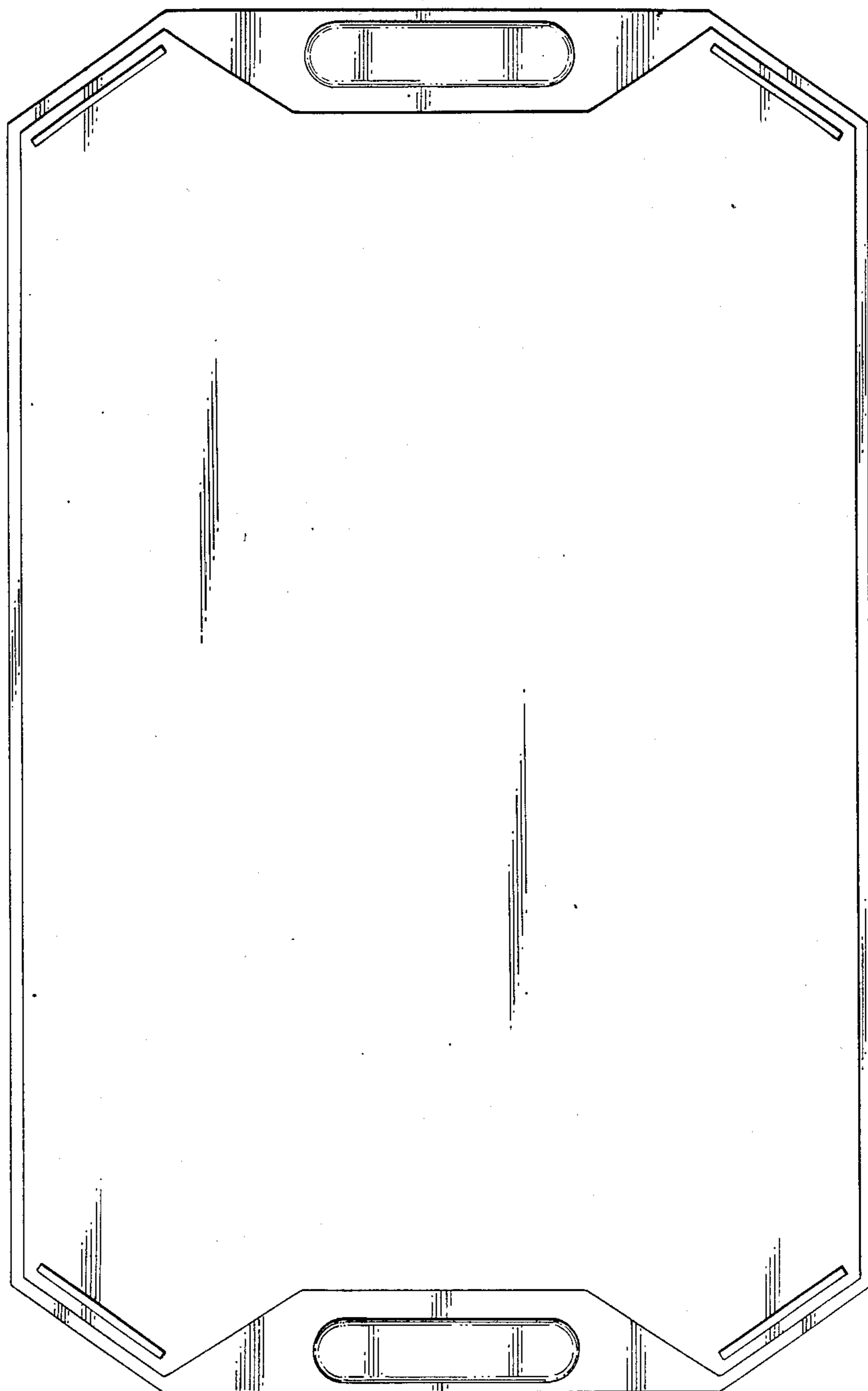


Fig. 3

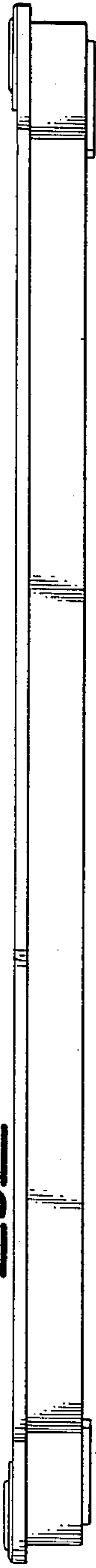


Fig. 4



Fig. 5

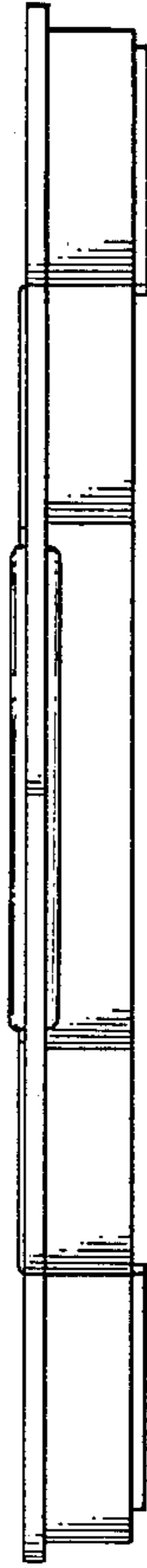


Fig. 6

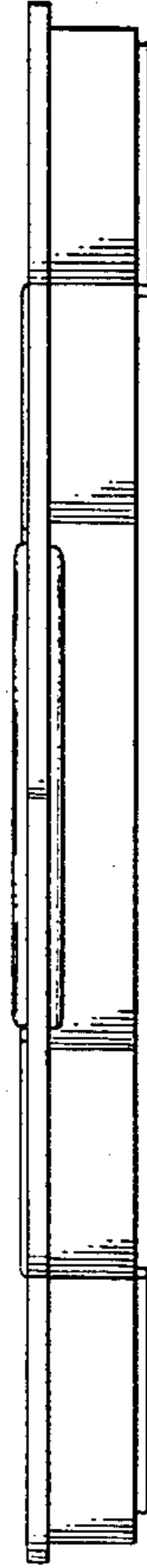


Fig. 7

