

[54] **TOWEL RACK**

[75] **Inventor:** Franz W. Jans, Offenbach am Main,
Fed. Rep. of Germany

[73] **Assignee:** Jado Bathroom and Hardware
Manufacturing Corp., Camarillo,
Calif.

[**] **Term:** 14 Years

[21] **Appl. No.:** 834,857

[22] **Filed:** Feb. 24, 1986

[52] **U.S. Cl.** D6/548

[58] **Field of Search** D6/512, 524, 546, 549;
211/13, 16, 86-88, 105.1; 108/123, 29, 59, 152;
312/37

[56] **References Cited**

U.S. PATENT DOCUMENTS

D. 152,331 1/1949 Eakins D6/548

OTHER PUBLICATIONS

Paul Associates Catalogue (1983) p. 29, Towel Bar
#3220.

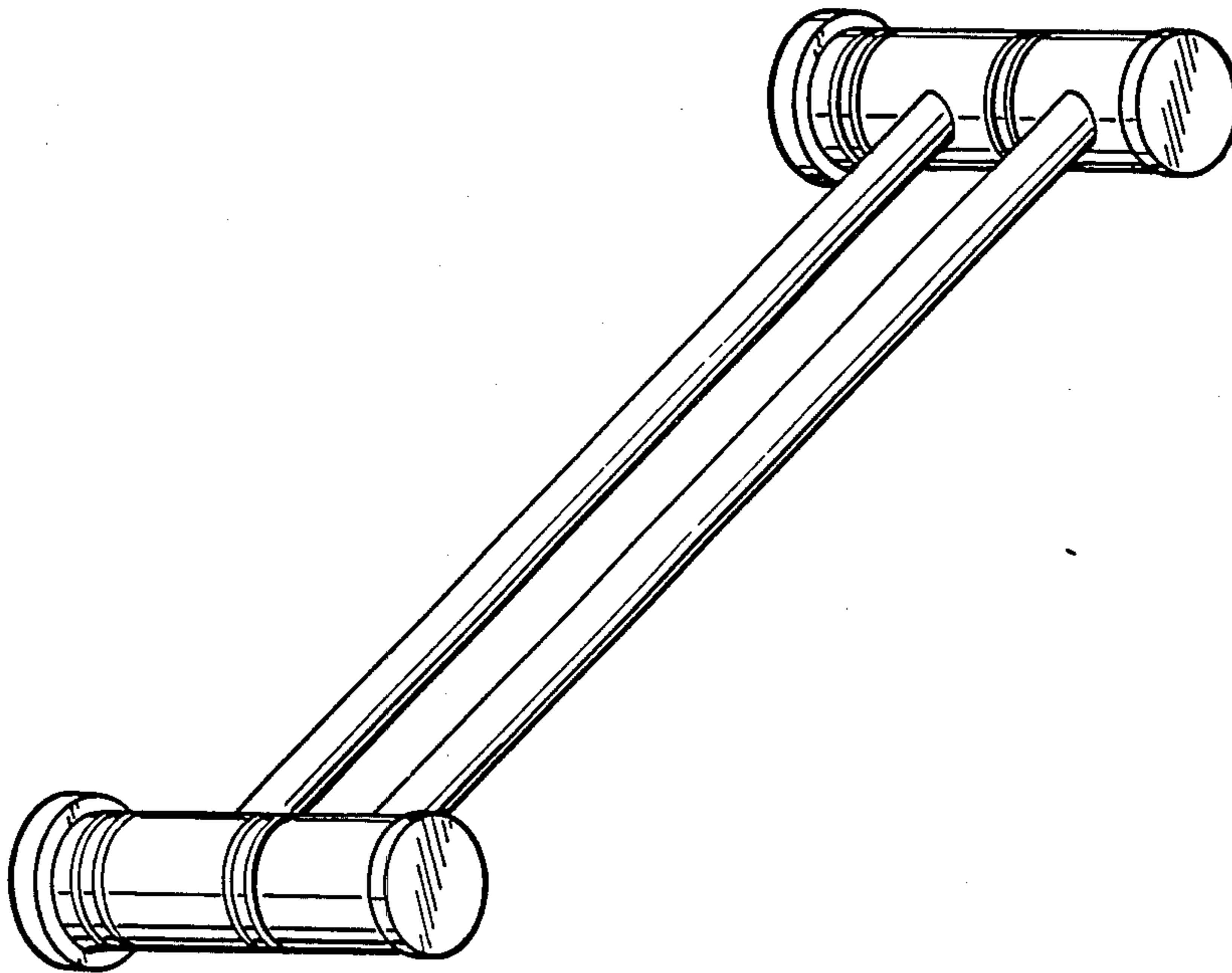
Primary Examiner—Wallace R. Burke
Assistant Examiner—Brian N. Vinson
Attorney, Agent, or Firm—H. Michael Brucker

[57] **CLAIM**

The ornamental design for a towel rack, as shown and
described.

DESCRIPTION

FIG. 1 is a top perspective view of a towel rack show-
ing my new design;
FIG. 2 is an enlarged right end elevational view thereof,
the left end being a mirror image;
FIG. 3 is an enlarged top plan view thereof, the bottom
being a mirror image; and,
FIG. 4 is an enlarged front elevational view thereof, the
undisclosed rear being plain and unornamented.



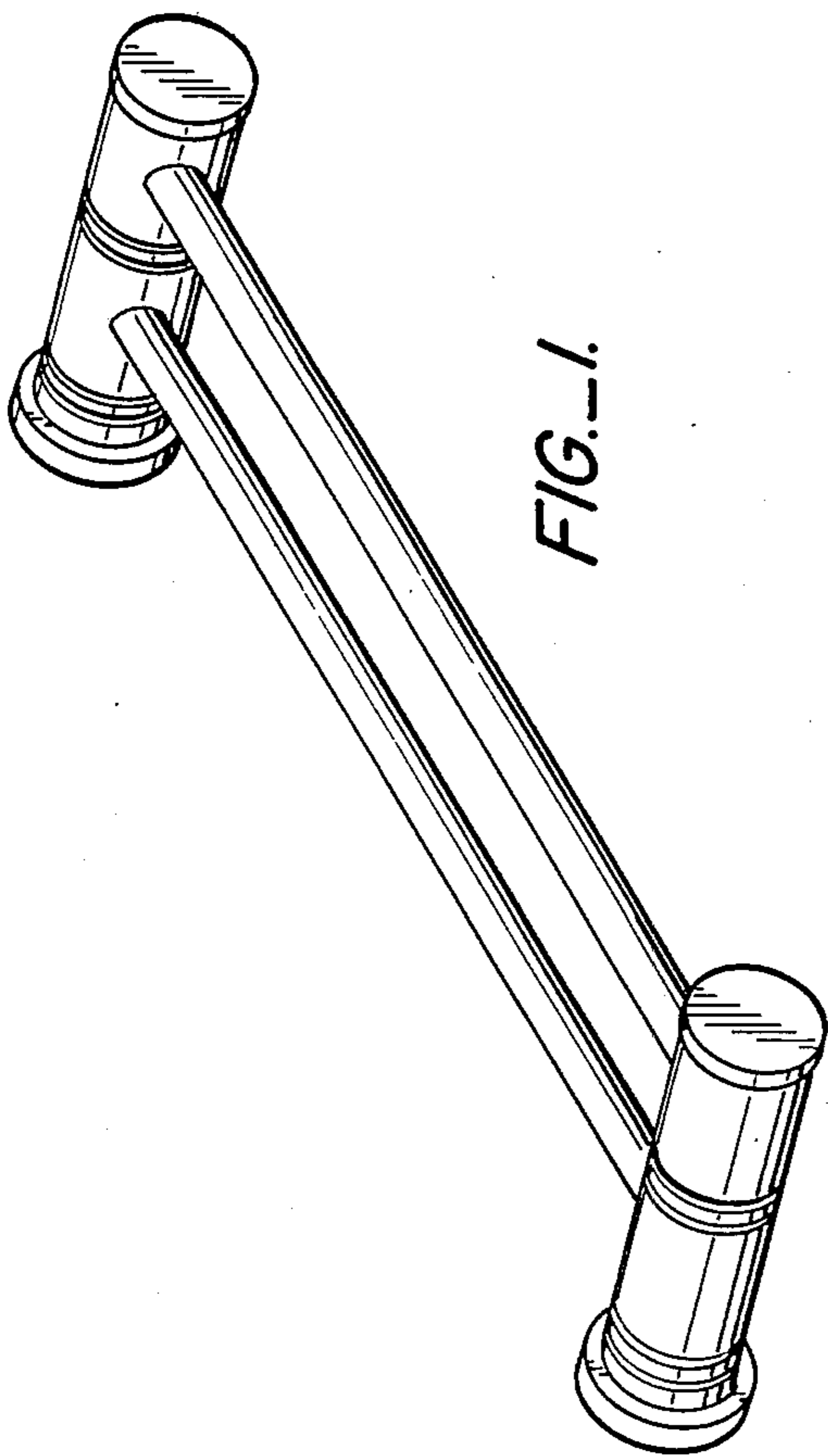


FIG.-1.

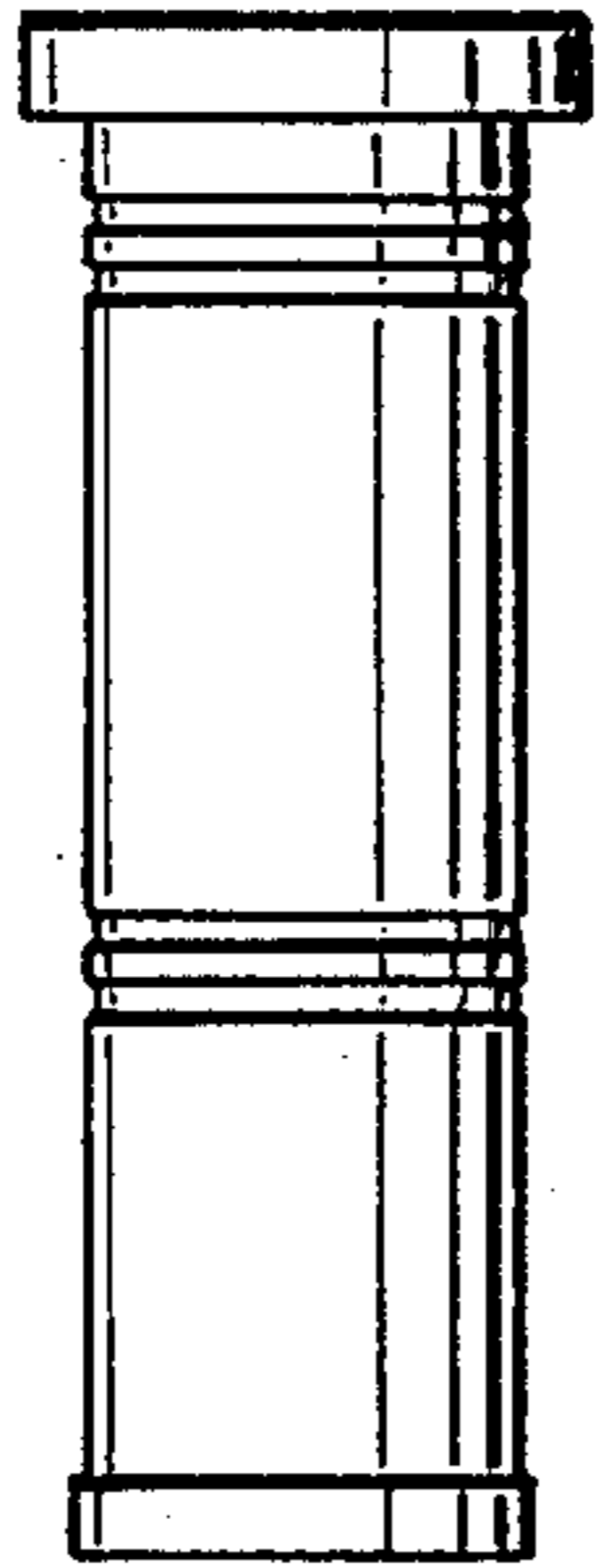


FIG.-2.

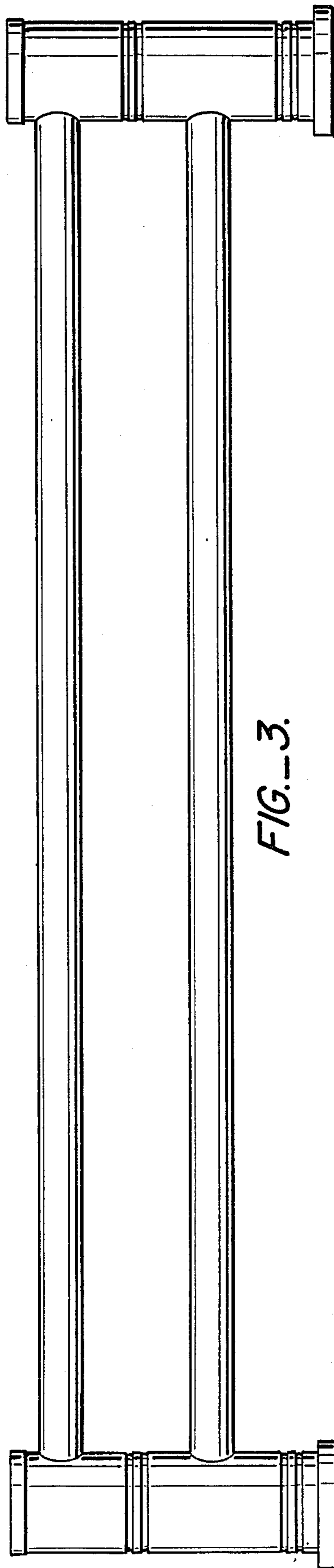


FIG.-3.



FIG.-4.