

[54] **BENCH OR SIMILAR ARTICLE**

[75] **Inventor: Ian F. Norton, Toronto, Canada**

[73] **Assignee: Union Carbide Canada Limited,
Toronto, Canada**

[**] **Term: 14 Years**

[21] **Appl. No.: 862,393**

[22] **Filed: May 8, 1986**

[30] **Foreign Application Priority Data**

Mar. 14, 1986 [CA] Canada 14-03-86-4

[52] **U.S. Cl. D6/370; D6/373;
D6/380**

[58] **Field of Search D6/334, 367, 368, 370,
D6/372, 373, 379, 380, 381; 297/440, 441, 445**

[56] **References Cited**

U.S. PATENT DOCUMENTS

D. 44,562	8/1913	Haase	D6/370
D. 46,770	12/1914	Haase	D6/370
D. 51,553	12/1917	Haase	D6/370
D. 127,713	6/1941	Haase	D6/370
D. 247,406	3/1978	Stahl et al.	D6/492
D. 259,901	7/1981	Herbert, Sr.	D6/370
D. 266,133	9/1982	Stahl, Jr. et al.	D6/492
D. 274,678	7/1984	Groman et al.	D6/370
D. 294,782	3/1988	Balderi	D6/370 X
4,566,731	1/1986	Marchesini	297/441 X

Primary Examiner—Bruce W. Dunkins
Attorney, Agent, or Firm—Sim & McBurney

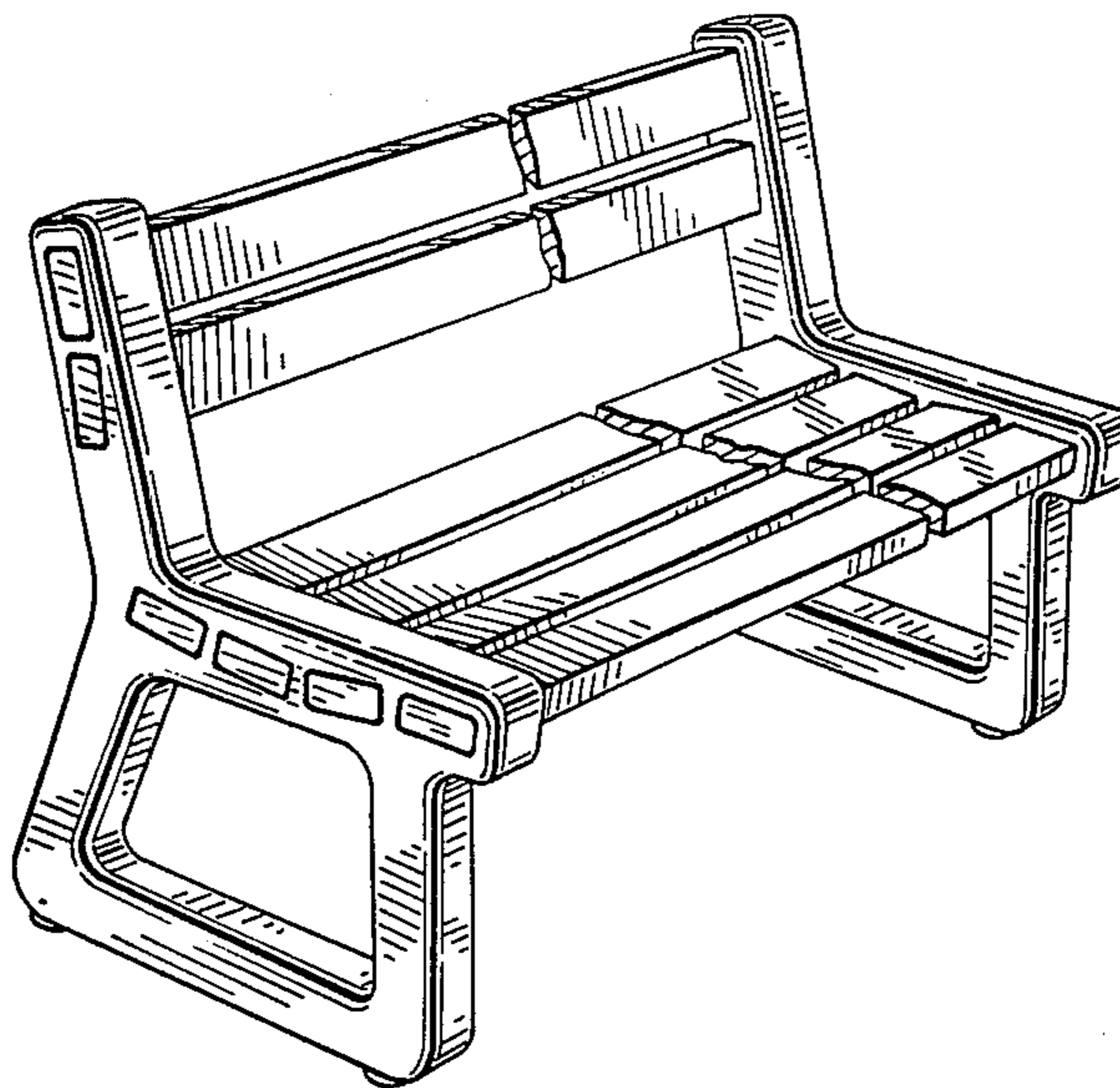
[57] **CLAIM**

The ornamental design for a bench or similar article, as shown and described.

DESCRIPTION

FIG. 1 is a front perspective view of a bench or similar article, a portion being broken away to indicate indeterminate length; and

FIG. 2 is a perspective view thereof taken from below.



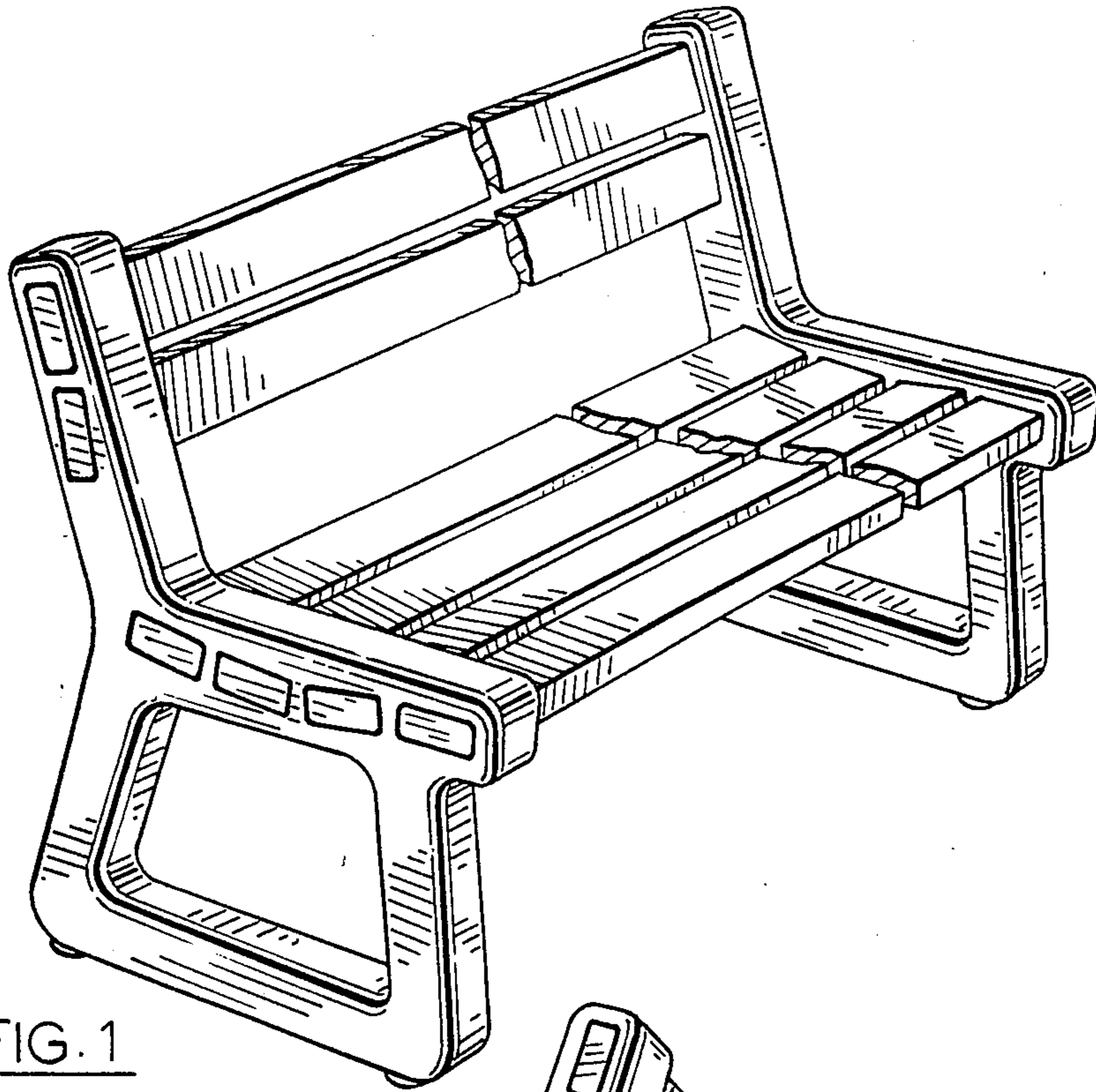


FIG. 1

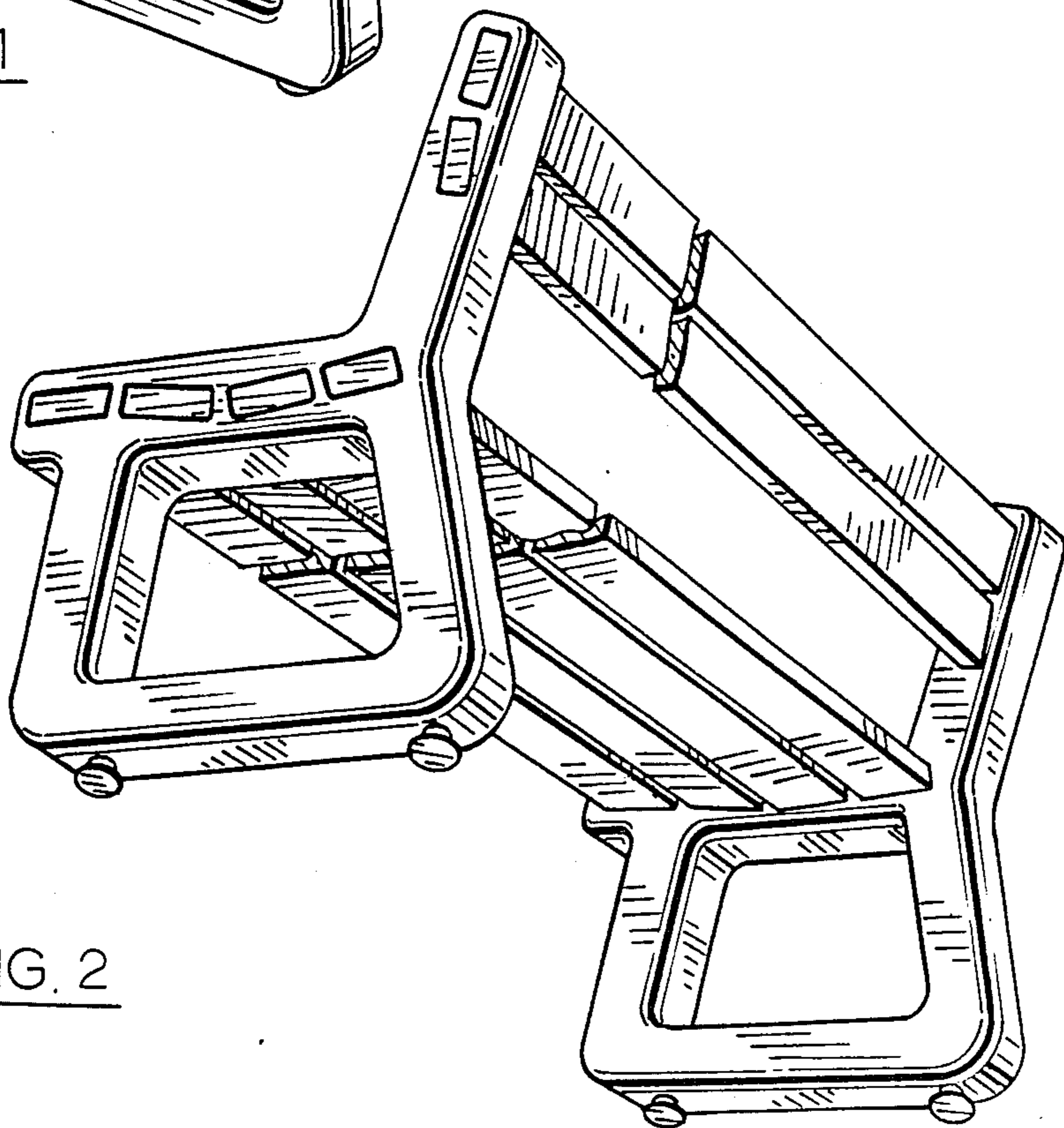


FIG. 2