

[54] **CHAIR**

[75] **Inventor: Svein A. Gusrud, Oslo, Norway**

[73] **Assignee: Hag A/S, Norway**

[\*] **Notice:** The portion of the term of this patent subsequent to Apr. 12, 2002 has been disclaimed.

[\*\*] **Term: 14 Years**

[21] **Appl. No.: 755,077**

[22] **Filed: Jul. 15, 1985**

[30] **Foreign Application Priority Data**

Mar. 4, 1985 [NO] Norway ..... 66.058

[52] **U.S. Cl.** ..... D6/330; D6/335; D6/338; D6/340; D6/360

[58] **Field of Search** ..... D6/330, 335, 336, 337, D6/338, 340, 349, 354, 366, 360; 297/271, 423, 427, 429, 430, 431

[56] **References Cited**

**U.S. PATENT DOCUMENTS**

D. 229,995	1/1974	Niemeyer .....	D6/367
D. 277,722	2/1985	Gusrud .....	D6/335 X
D. 283,378	4/1986	Opsvik .....	D6/349 X
D. 283,858	5/1986	Opsvik .....	D6/366
D. 287,669	1/1987	Opsvik .....	D6/330
4,328,991	5/1982	Mengshoel et al. ....	D6/330 X

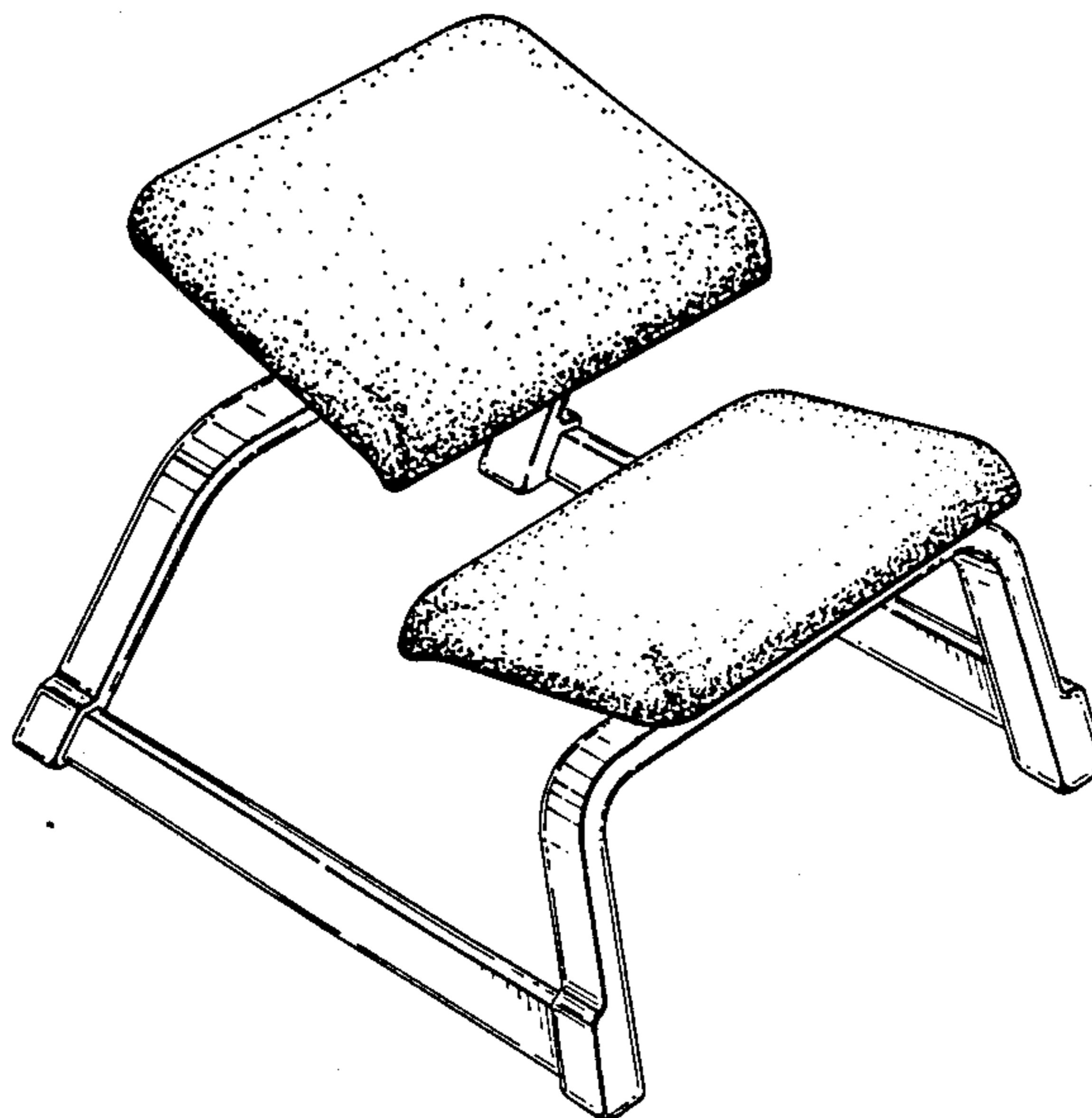
*Primary Examiner*—Bruce W. Dunkins  
*Attorney, Agent, or Firm*—Darby & Darby

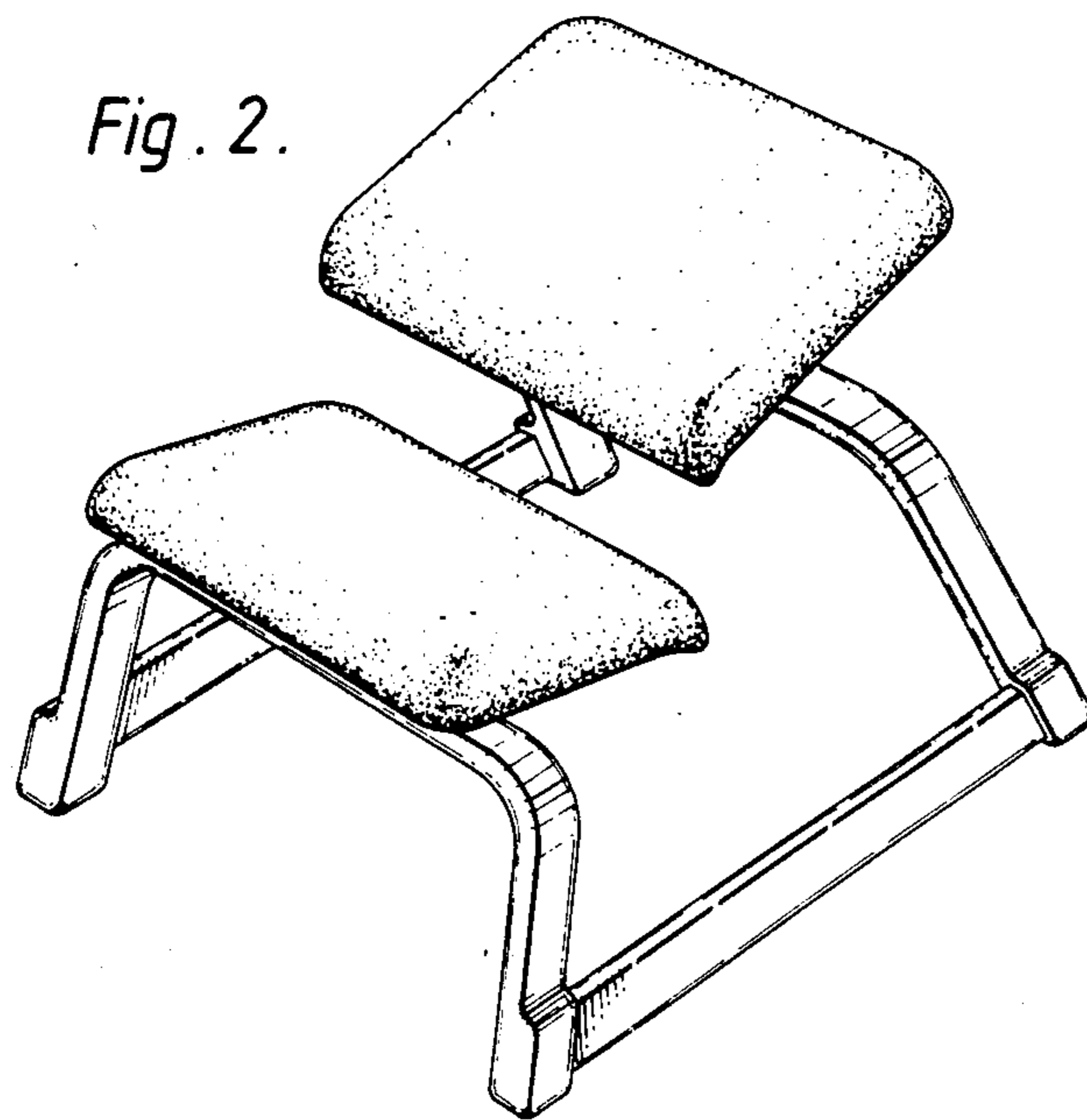
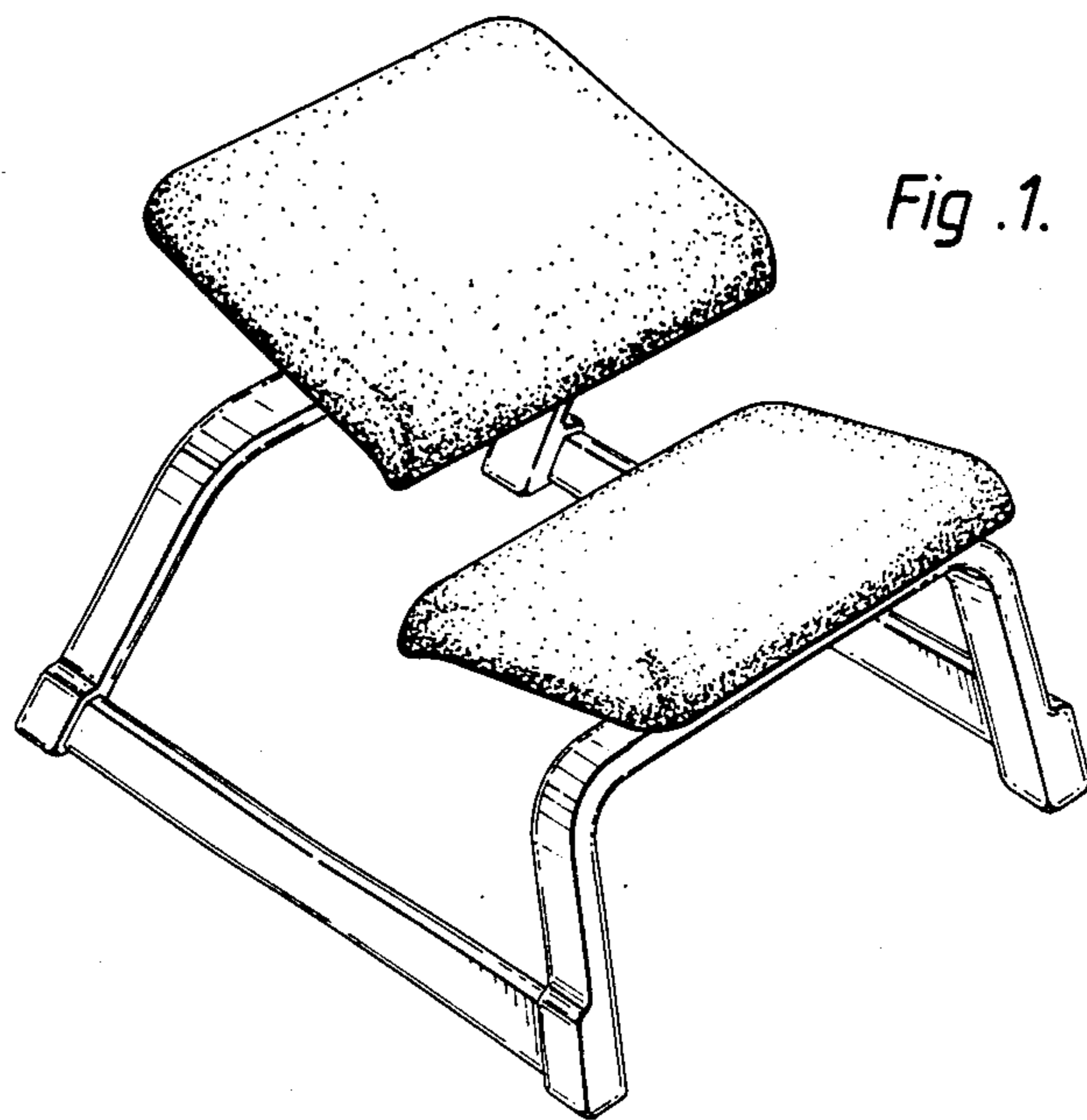
[57] **CLAIM**

The ornamental design for a chair, as shown and described.

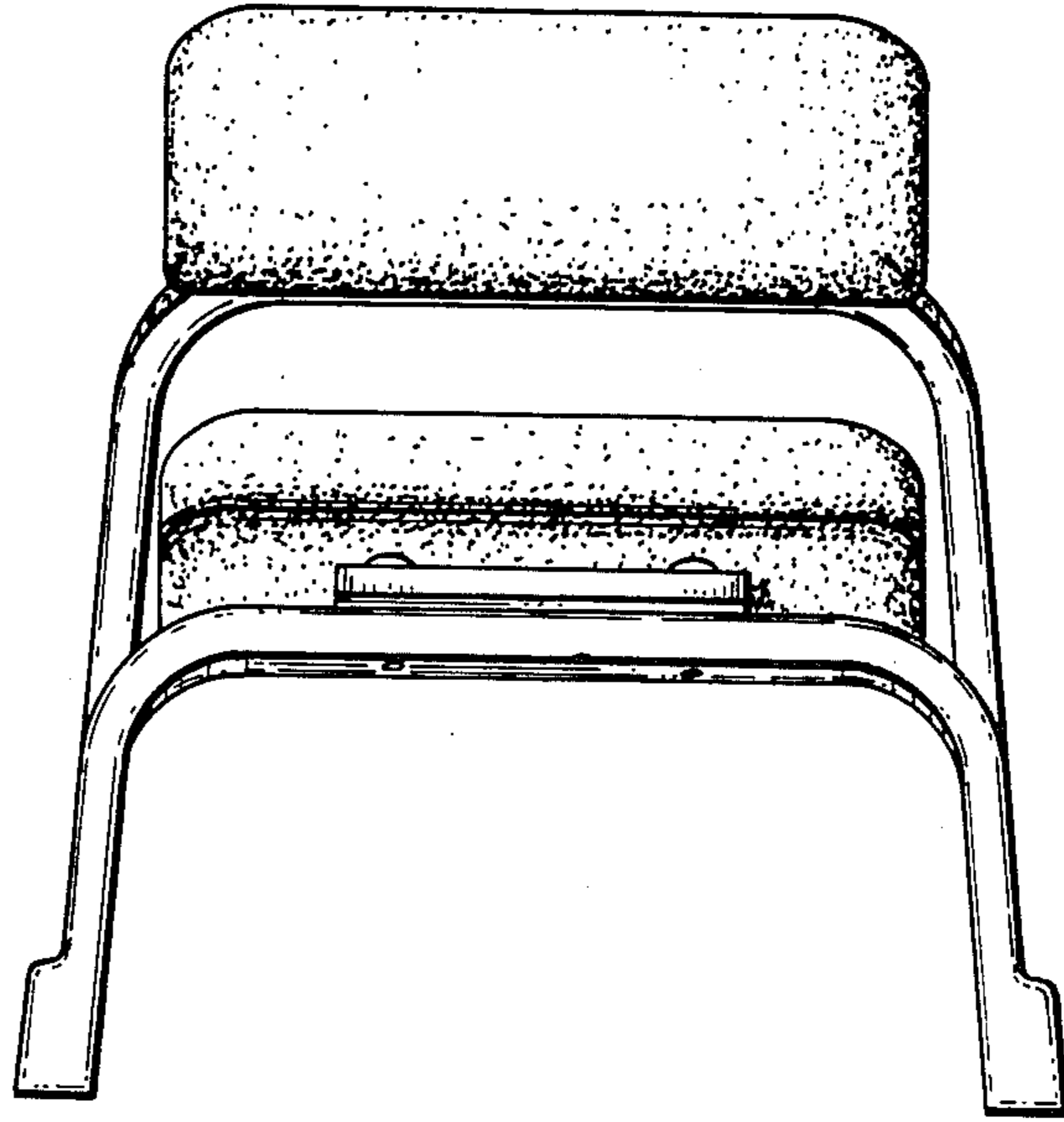
**DESCRIPTION**

FIG. 1 is a front perspective view from above and one side of the chair, embodying my new design;  
FIG. 2 is a front perspective view from above and other side of the chair;  
FIG. 3 is a front view of the chair;  
FIG. 4 is a rear view of the chair;  
FIG. 5 is a plan view of the chair;  
FIG. 6 is an underneath plan view of the chair;  
FIG. 7 is a side view of the chair; and  
FIG. 8 is a rear perspective view from below of the chair.

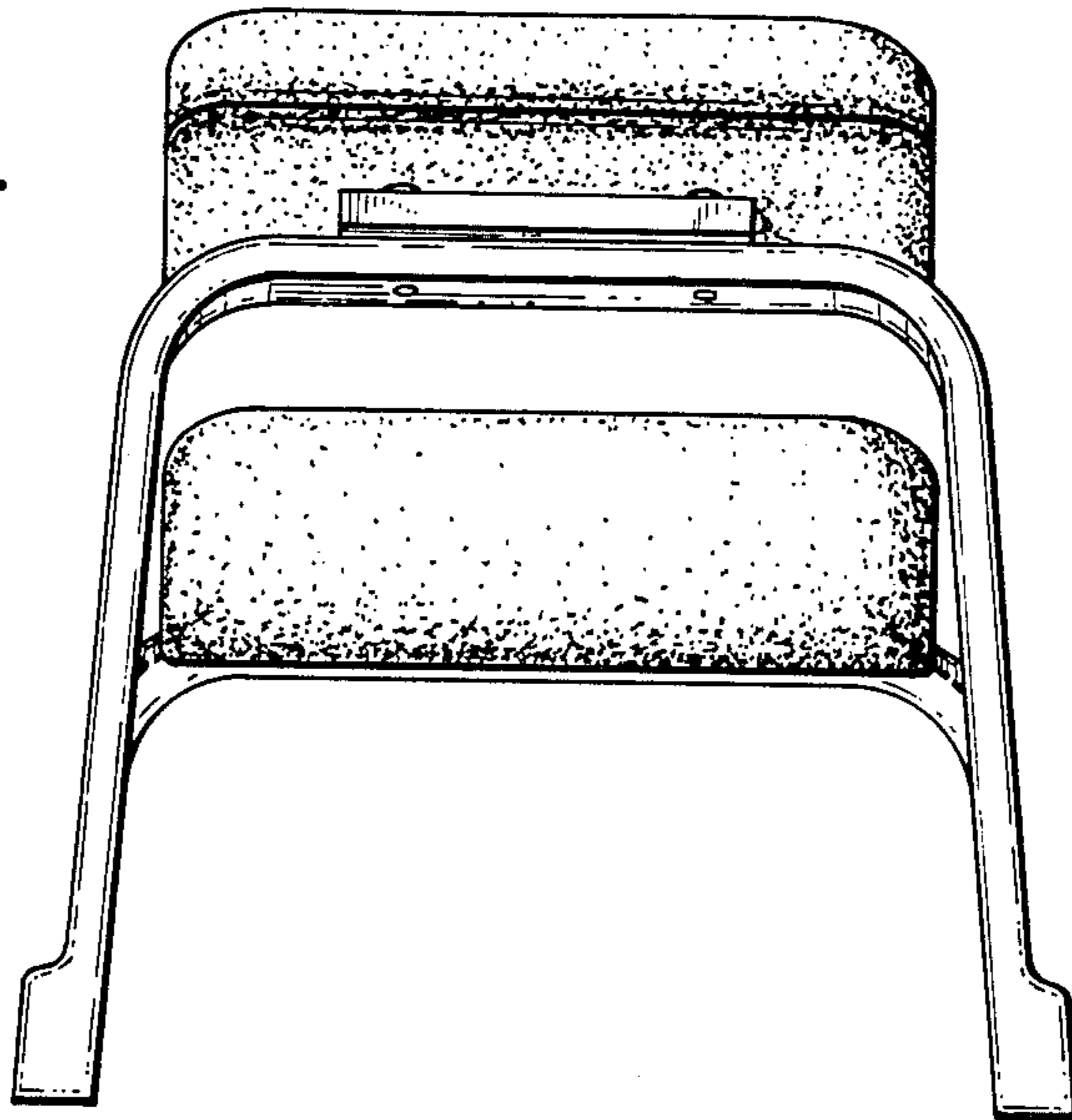




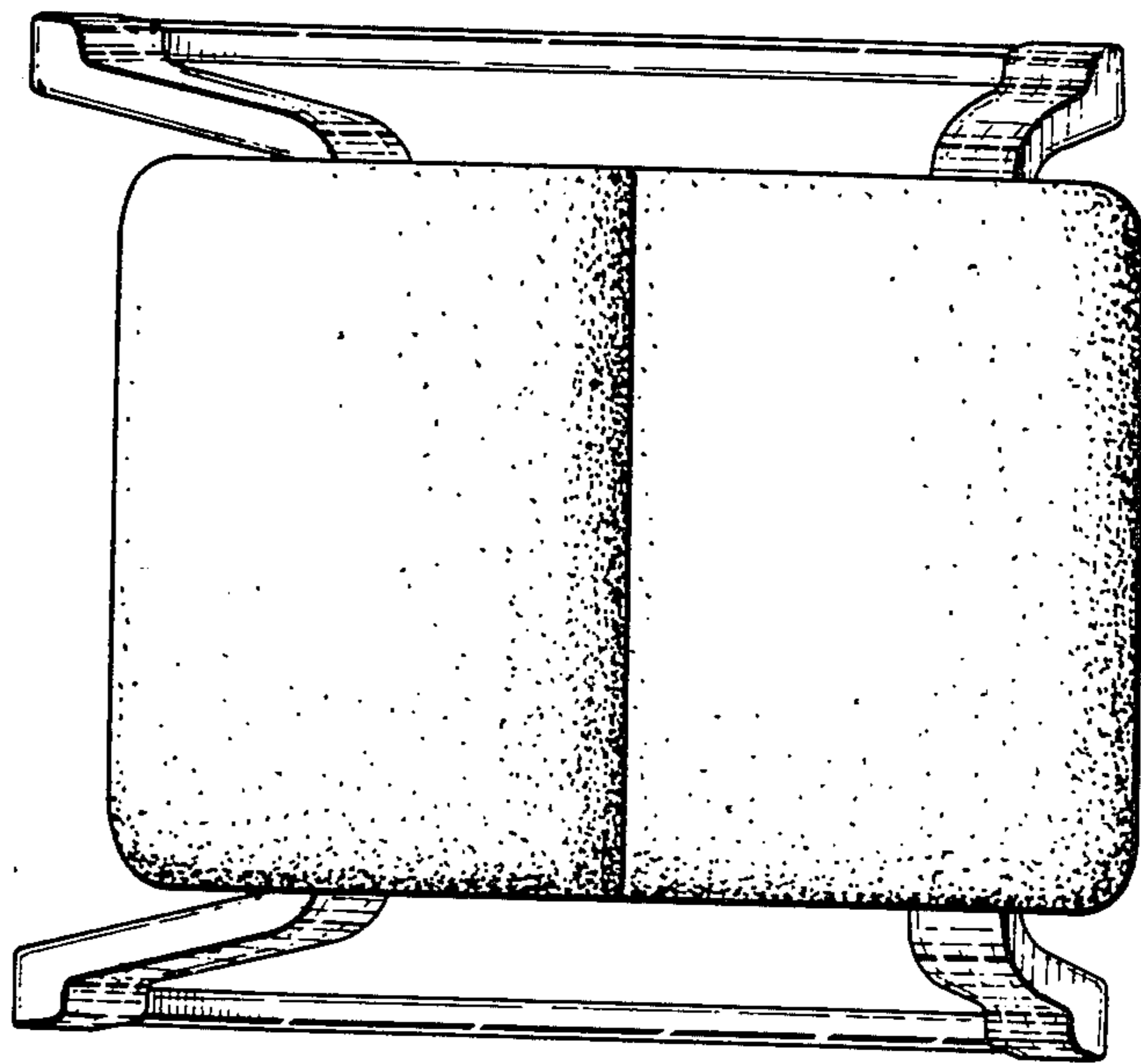
*Fig. 3.*



*Fig. 4.*



*Fig. 5.*



*Fig. 6.*

