

[54] **BUCKET**

[75] **Inventor: John M. Fuller, Winchester, Va.**

[73] **Assignee: Rubbermaid Commercial Products Inc., Winchester, Va.**

[**] **Term: 14 Years**

[21] **Appl. No.: 933,589**

[22] **Filed: Nov. 21, 1986**

[52] **U.S. Cl. D32/53; D30/121**

[58] **Field of Search D32/53, 53.1; D30/121;
15/264; 119/51 R; 220/91**

[56] **References Cited**

U.S. PATENT DOCUMENTS

D. 107,093 11/1937 Rideout D32/53

OTHER PUBLICATIONS

Sell Sheet Fortiflex-Fortiflex Inc., P.O. Box 4523, San Juan Puerto Rico 00936, publ. date unknown.

Ranchmaster Sell Sheet, Ranch Master, Inc. 10885-C,

Kalama River Road, Fountain Valley, CA 92708, publ. date unknown.

Catalog p. 27, Dan's Saddlery, 65 Mahan St., West Babylon, NY 11704, published 1986.

Primary Examiner—Catherine E. Kemper
Attorney, Agent, or Firm—Richard B. O'Planick

[57] **CLAIM**

The ornamental design for a bucket, as shown and described.

DESCRIPTION

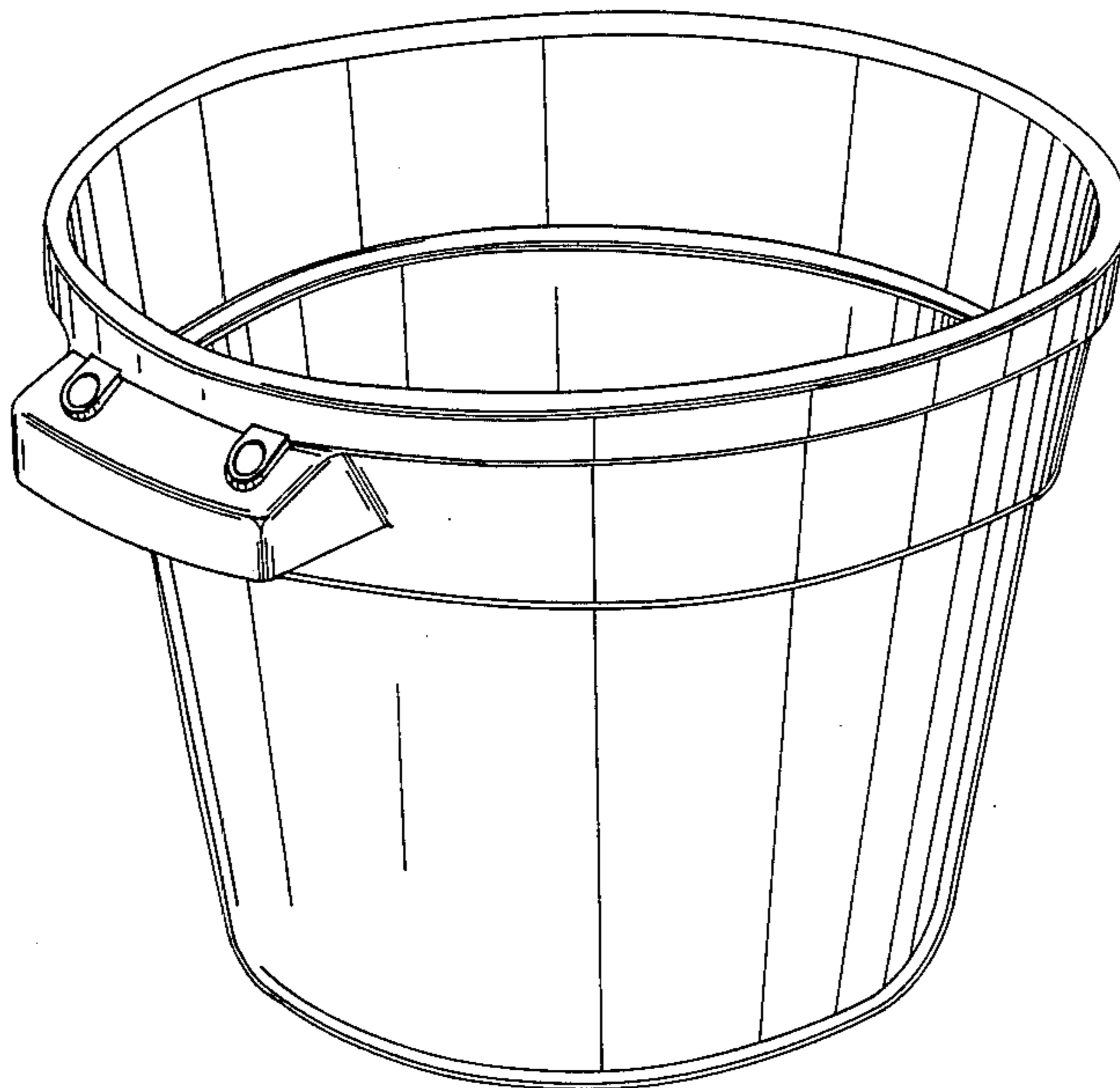
FIG. 1 is a perspective view of a bucket, showing my new design;

FIG. 2 is a top plan view thereof.

FIG. 3 is a side elevational view, the opposite side being identical thereto;

FIG. 4 is another side elevational view, the opposite side being identical thereto;

FIG. 5 is a bottom plan view thereof.



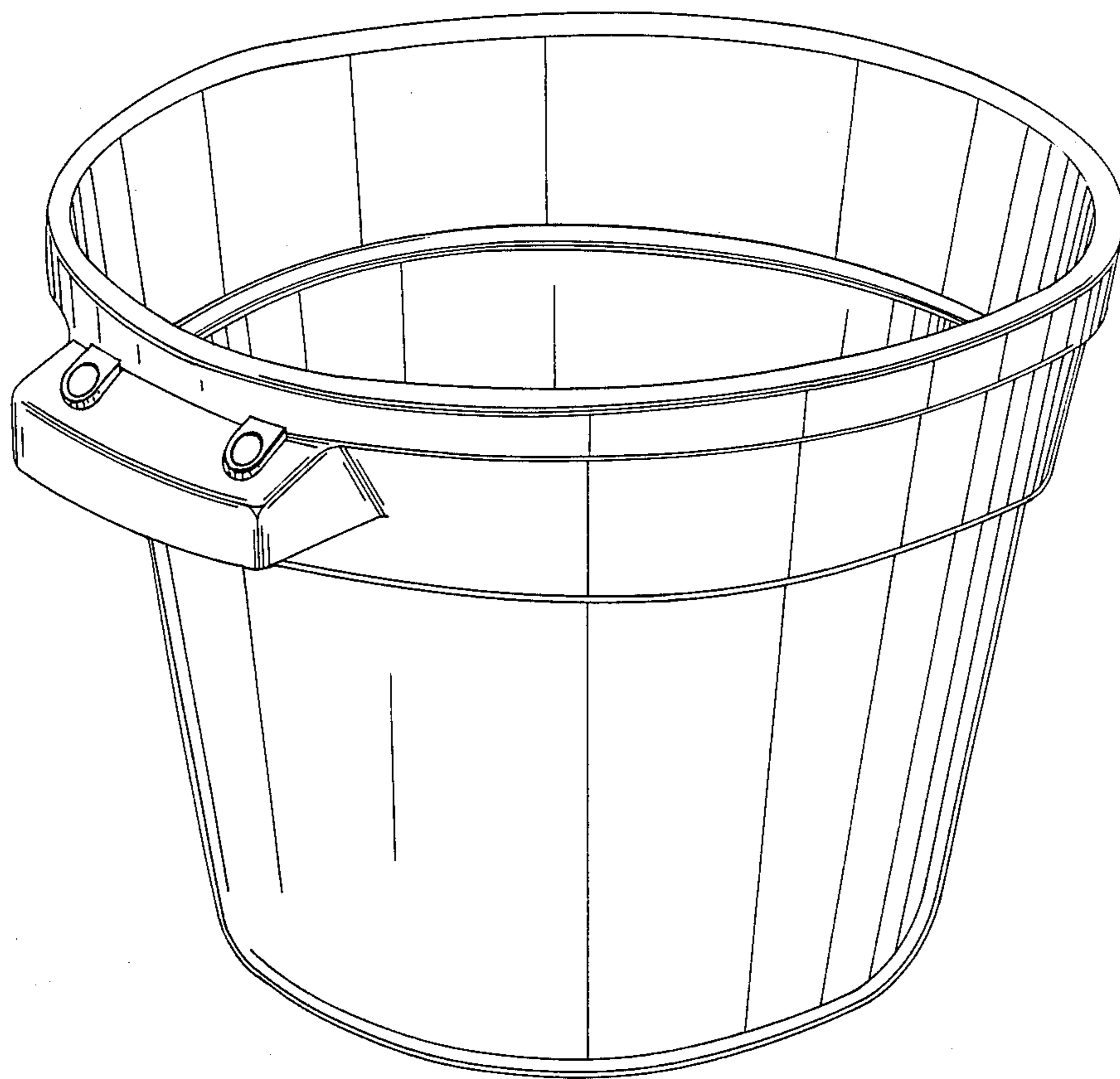


Fig. 1

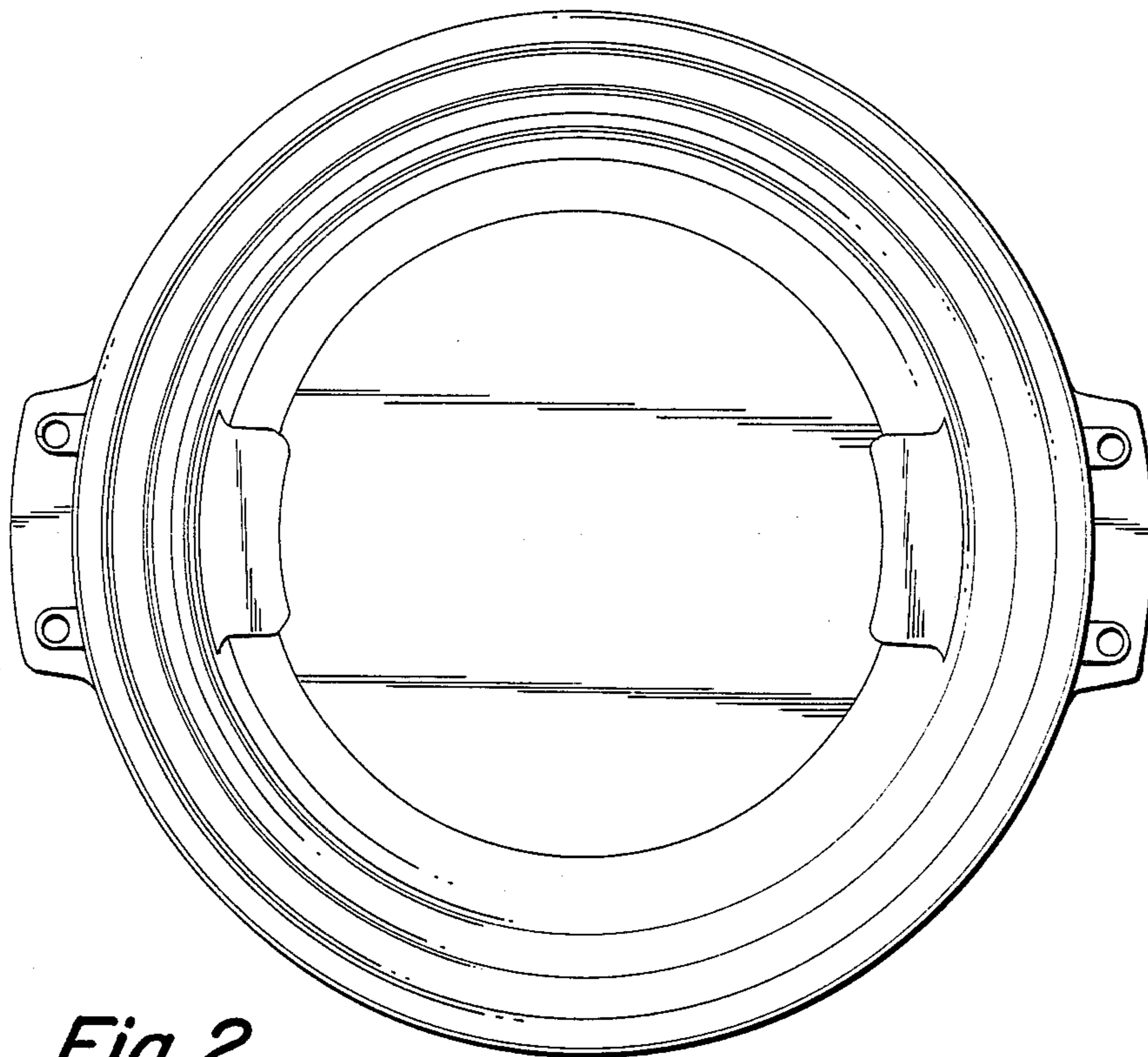


Fig. 2

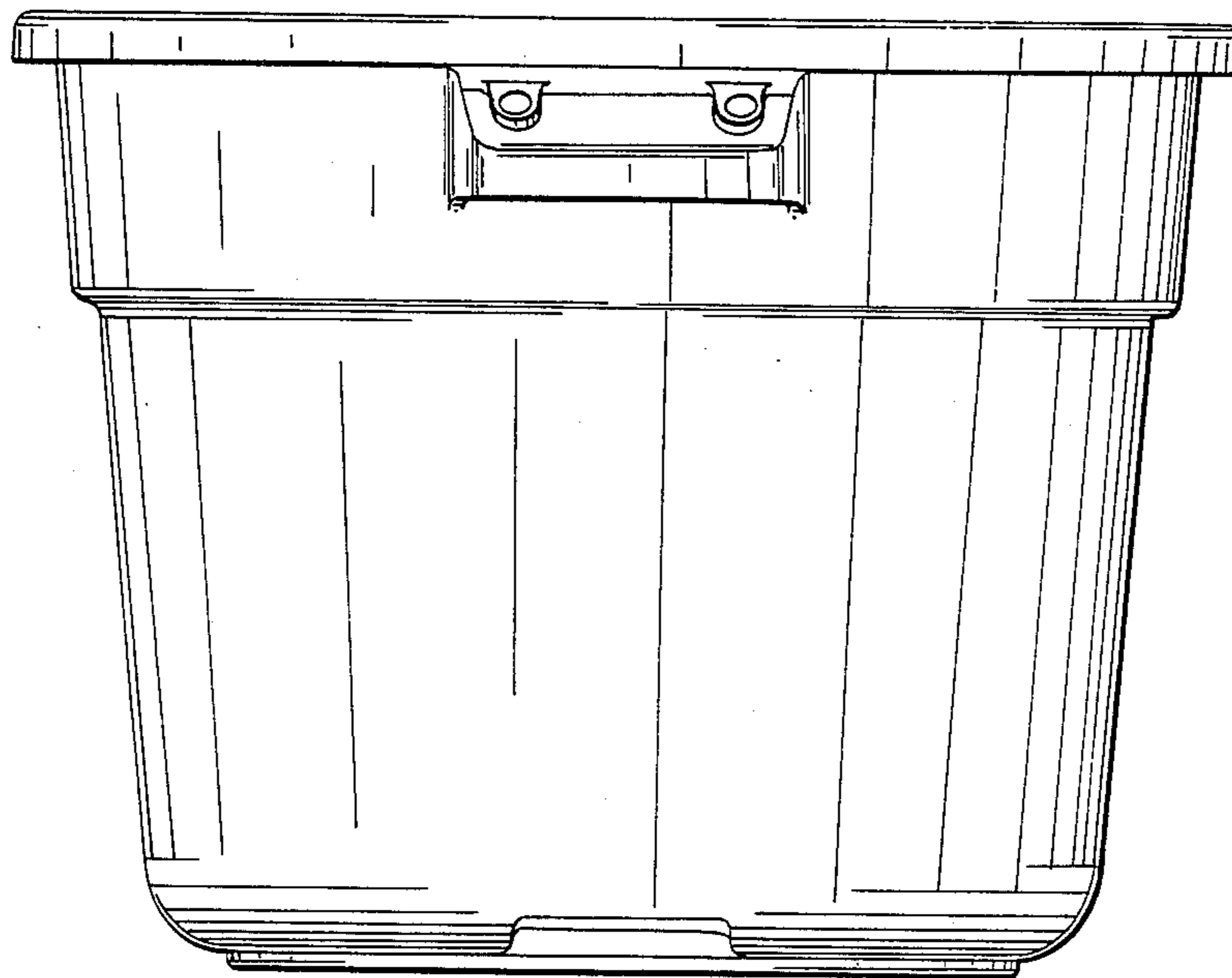


Fig. 3

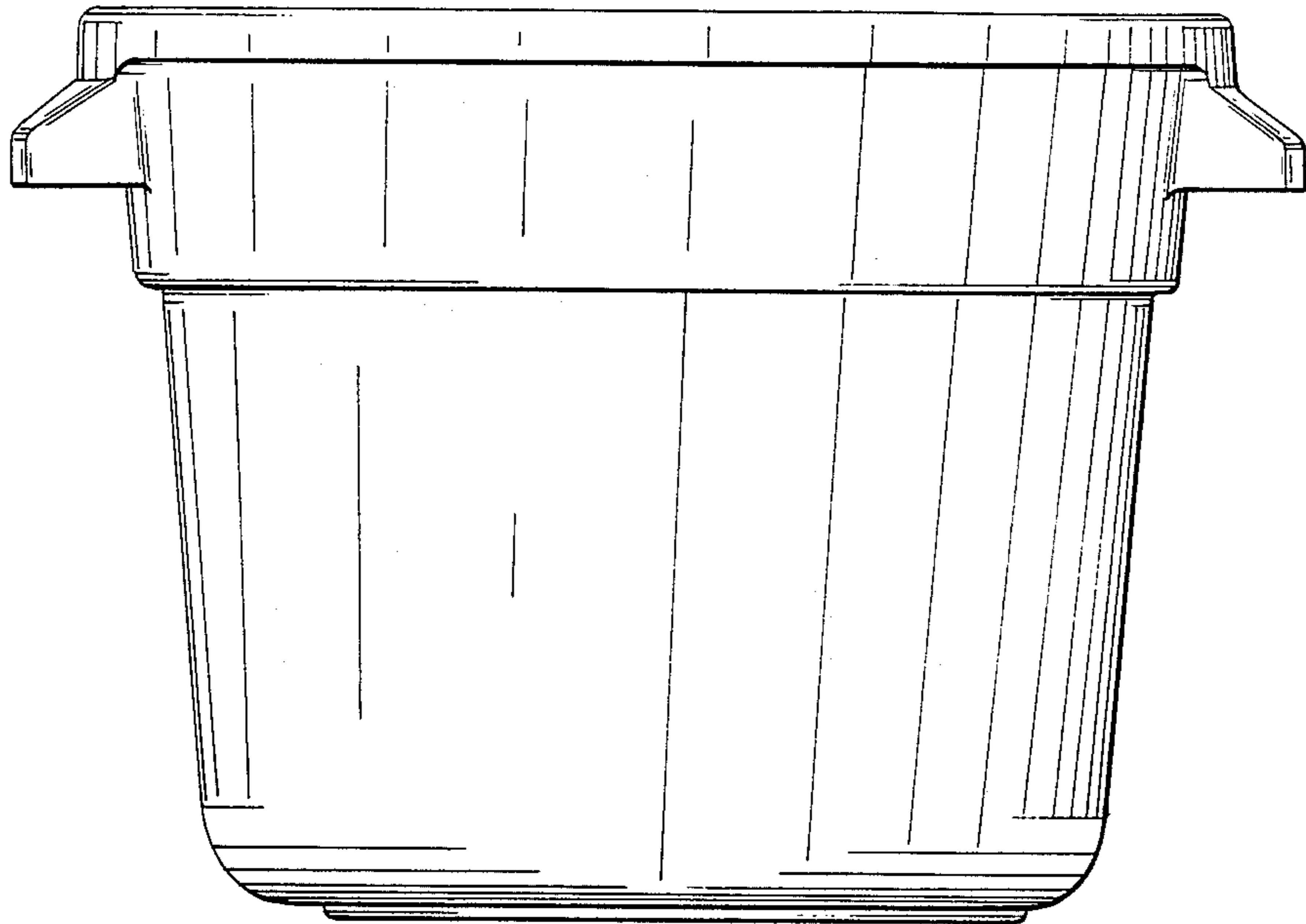


Fig. 4

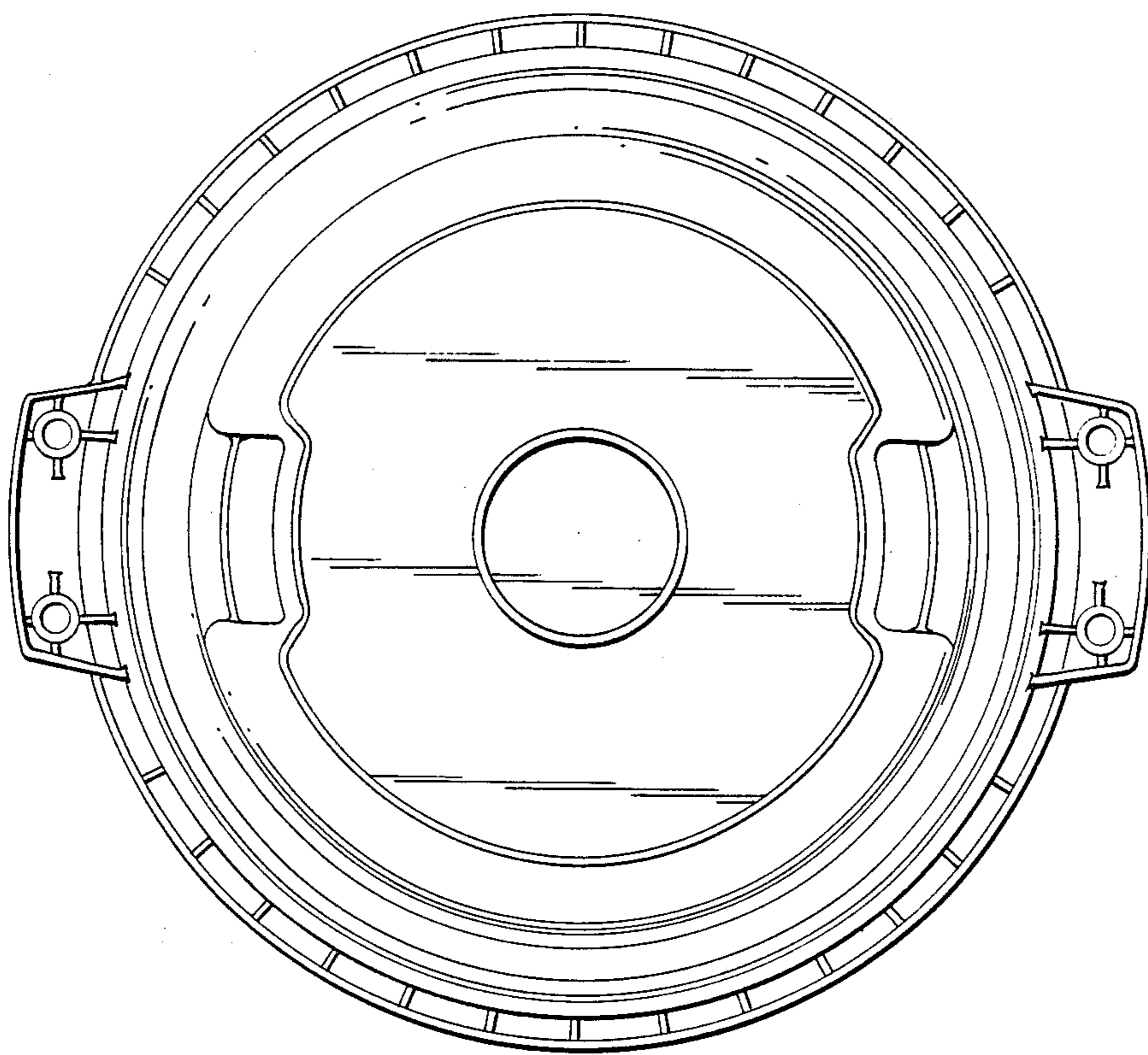


Fig. 5