

[54] **SQUEEGEE WITH A SWIVEL HANDLE**
 [75] **Inventor: Loren D. Stirling, Pleasanton, Calif.**
 [73] **Assignee: Steccone Products Co., Oakland, Calif.**
 [**] **Term: 14 Years**
 [21] **Appl. No.: 780,544**
 [22] **Filed: Sep. 26, 1985**
 [52] **U.S. Cl. D32/41**
 [58] **Field of Search D32/41; 15/245, 144 R, 15/144 A**

4,336,624 6/1982 Pichelman 15/245

FOREIGN PATENT DOCUMENTS

572388 6/1924 France 15/245

OTHER PUBLICATIONS

Swivel Squeegee designed by Rod Woodward.
 Squeegee sold by Leifheit Profi in West Germany.
 Kabe Squeegee sold in Sweden.
 Kvik Squeegee sold in Sweden.
 Unknown brand sold in England.
 Spontex Squeegee of unknown origin.
 Unknown brand sold in Sweden.
 Empire brand sold in U.S.A.

[56] **References Cited**

U.S. PATENT DOCUMENTS

D. 279,932 7/1985 Bergstrom D32/41
 355,298 1/1887 Bourke .
 509,875 12/1893 Campbell 15/245 X
 592,076 10/1887 Brown .
 635,462 10/1899 Bourke 15/245
 948,631 2/1910 Lane .
 1,579,941 9/1925 Jenkins 15/245
 1,787,970 1/1931 Bertola 15/144 A
 1,940,129 12/1933 Howe 306/11
 2,123,638 7/1938 Steccone 15/245
 2,261,475 11/1941 Kuntenberg 15/245
 2,440,099 4/1948 Kind 15/245
 2,566,294 8/1951 Siemund 15/245
 2,681,464 2/1952 Baril 15/144
 2,771,623 11/1956 Baril 15/245 X
 3,110,052 11/1963 Whitman 15/117
 3,408,676 11/1968 Cayo 15/230.11

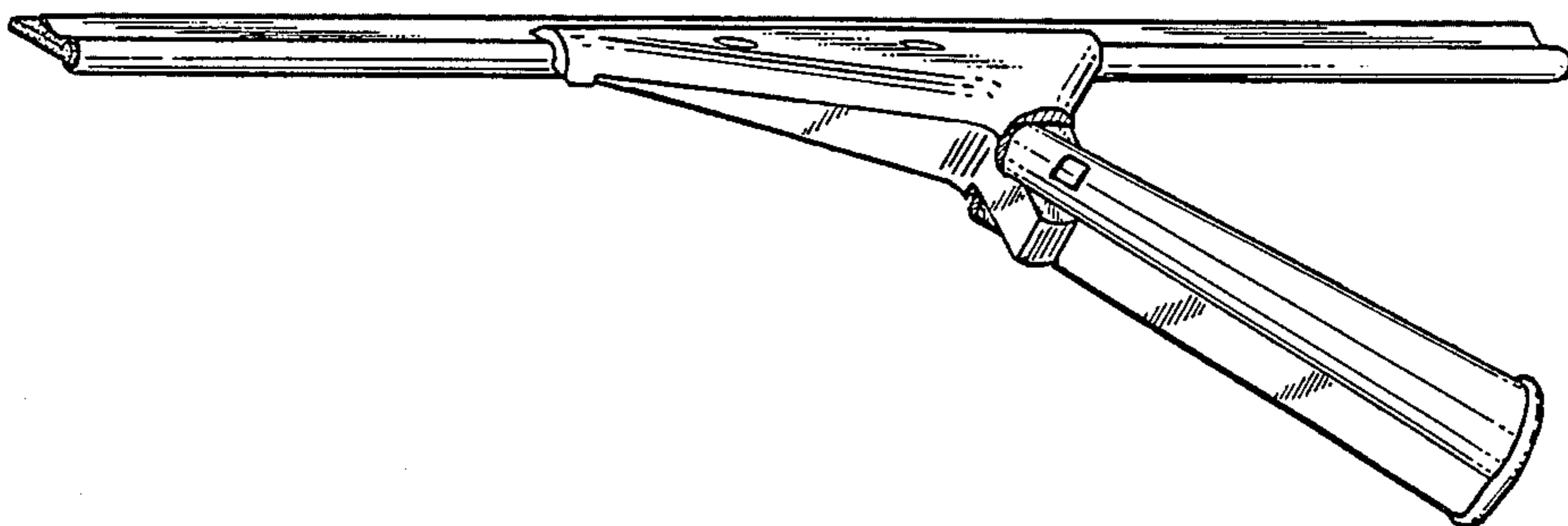
Primary Examiner—Catherine E. Kemper
Attorney, Agent, or Firm—Kathleen A. Skinner

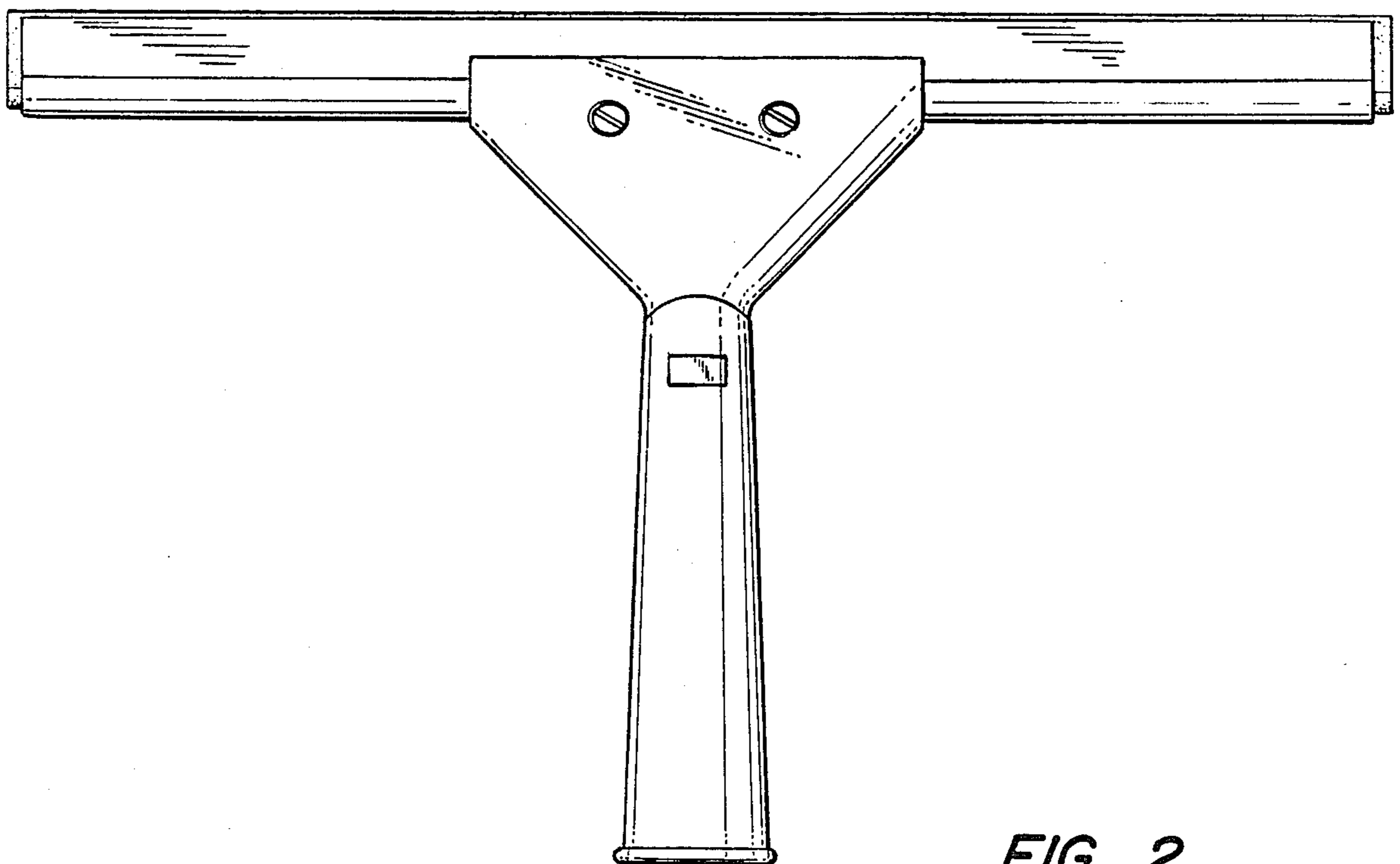
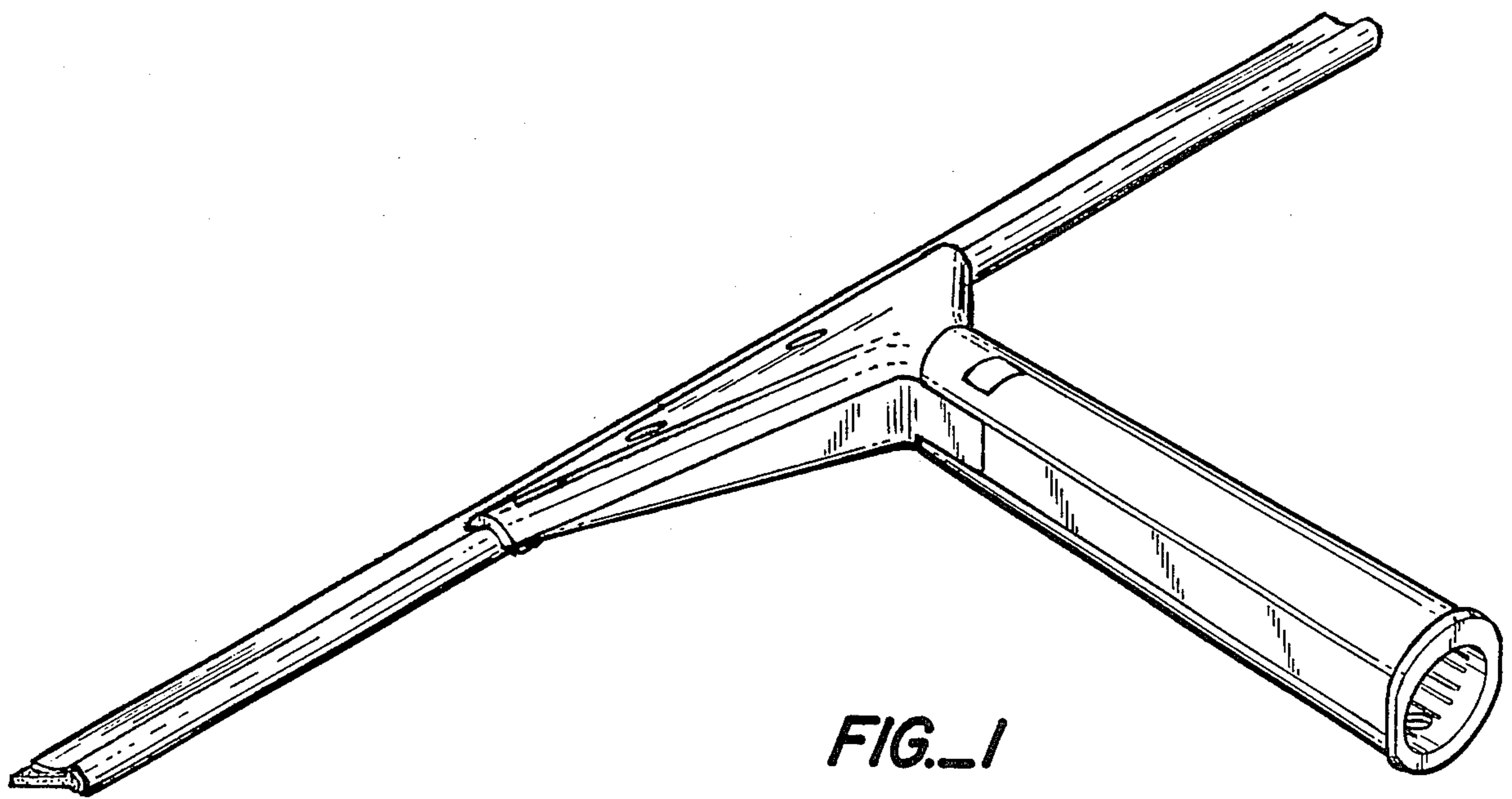
[57] **CLAIM**

The ornamental design for a squeegee with a swivel handle, as shown and described.

DESCRIPTION

FIG. 1 is a perspective view of a squeegee with a swivel handle, showing my new design;
 FIG. 2 is a top plan view thereof;
 FIG. 3 is a front elevational view thereof;
 FIG. 4 is a bottom plan view thereof;
 FIG. 5 is a rear elevational view thereof;
 FIG. 6 is a side elevational view thereof;
 FIG. 7 is a perspective view thereof, shown with the handle swiveled.





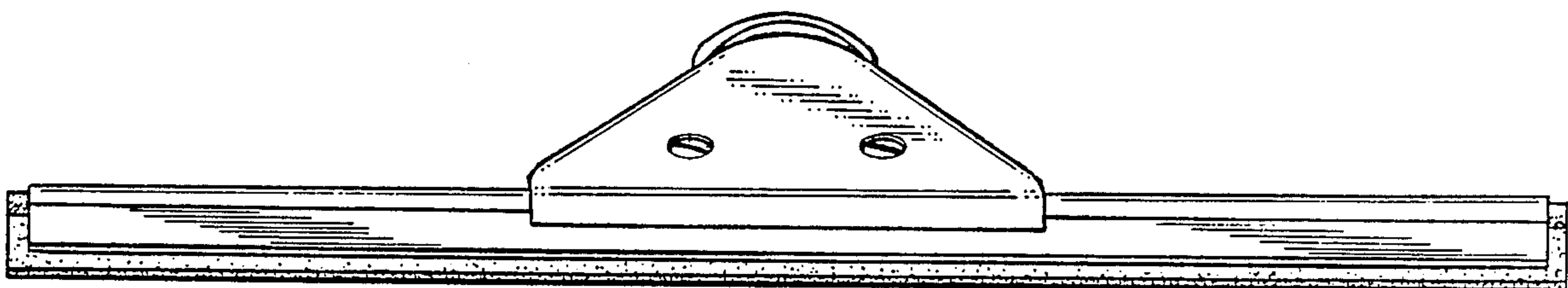


FIG. 3

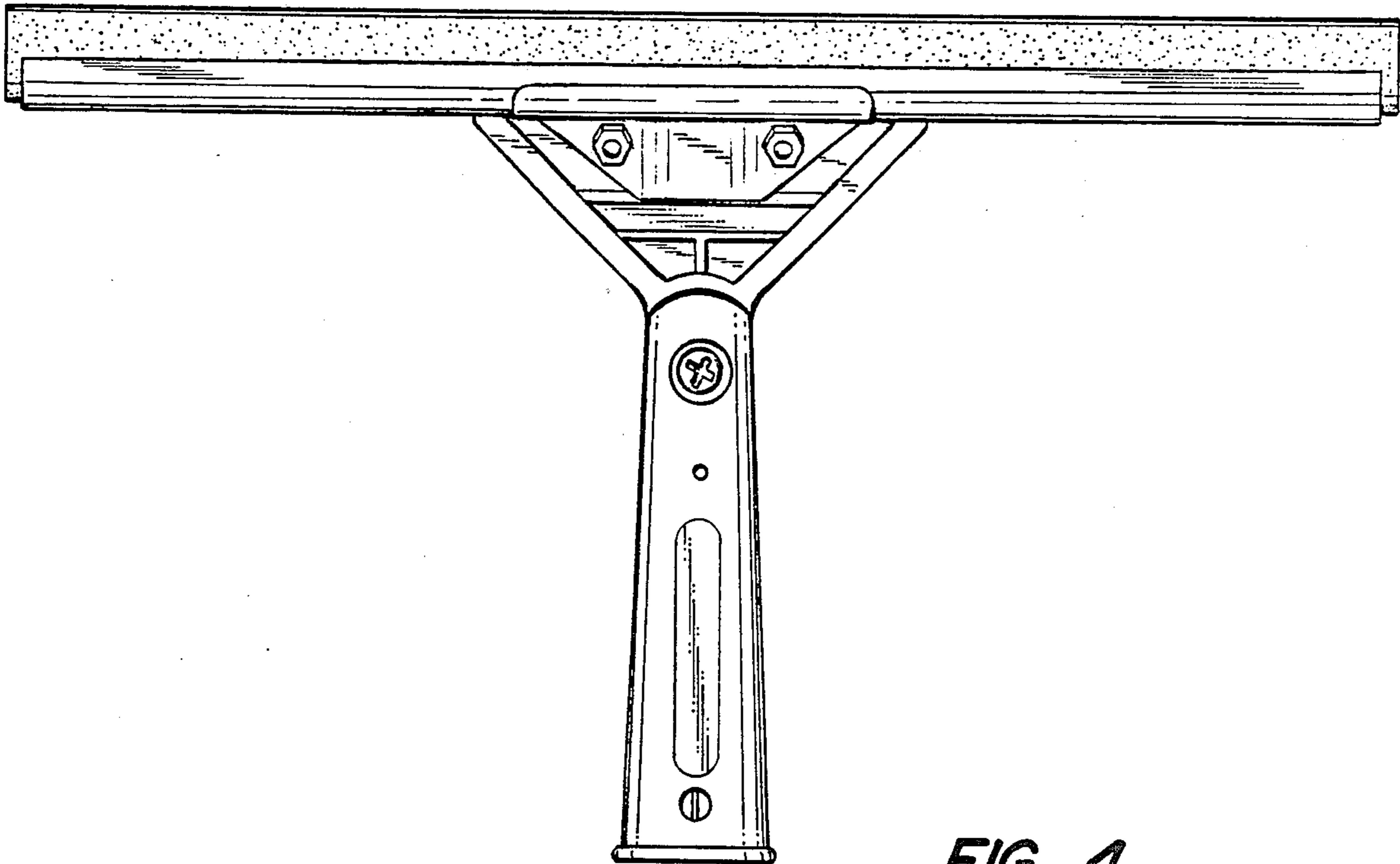


FIG. 4

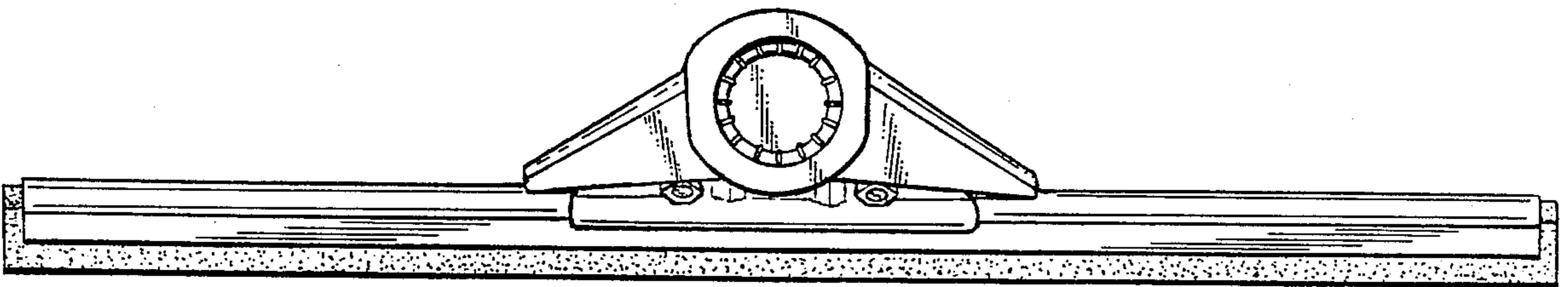


FIG. 5

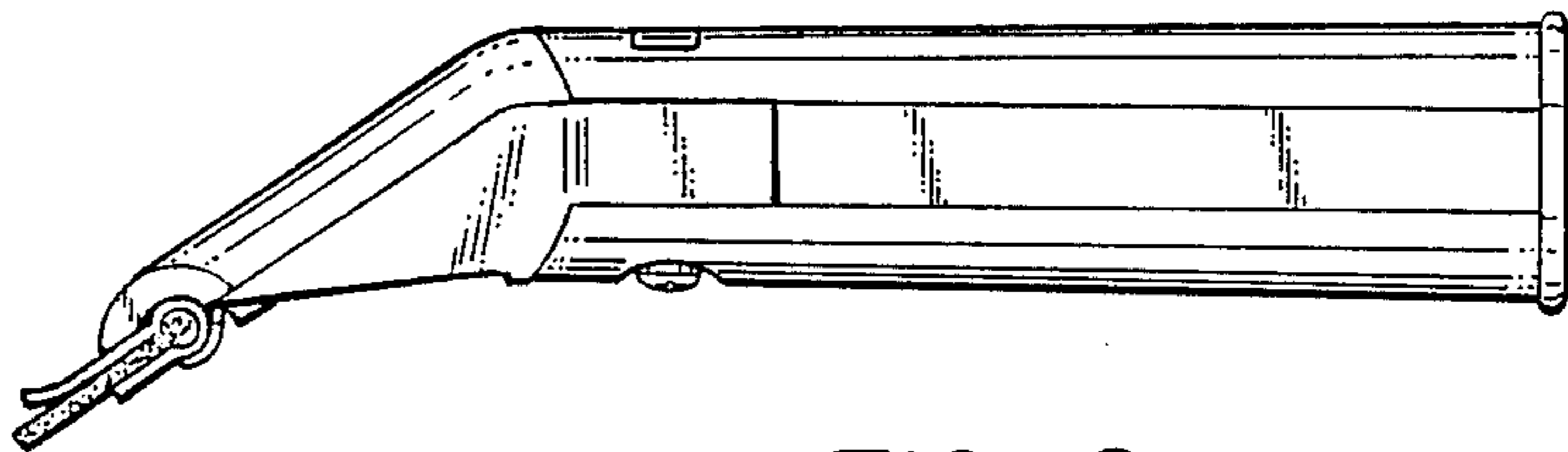


FIG. 6

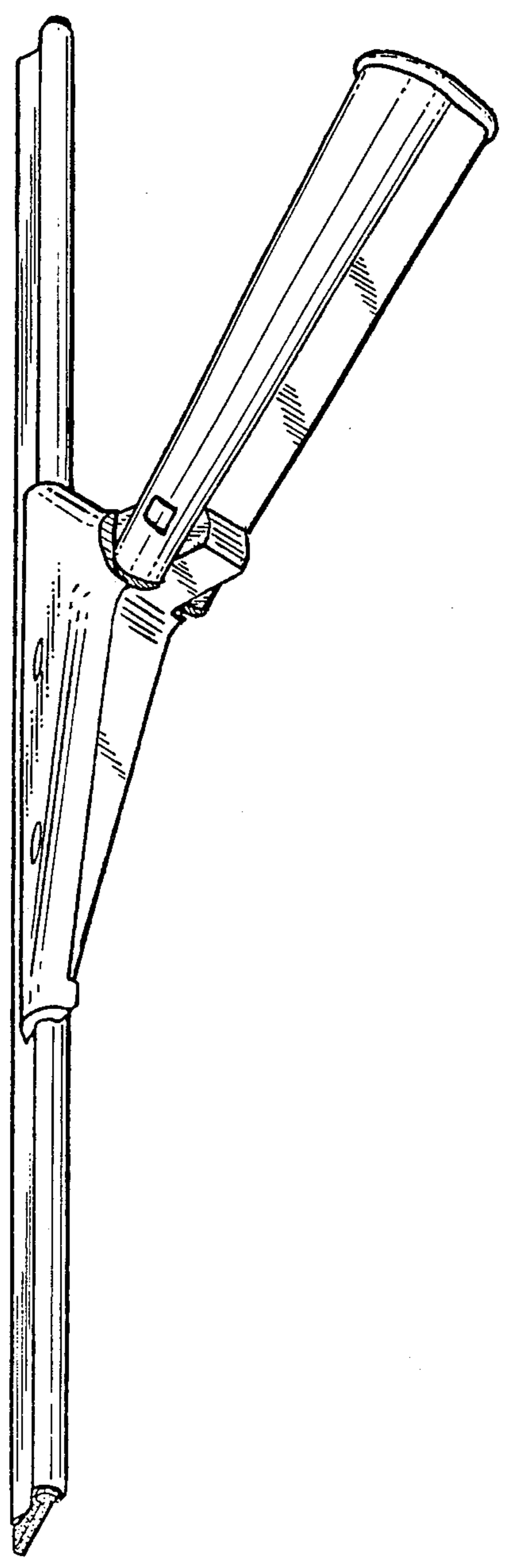


FIG.-7