

[54] **VACUUM CLEANER TOP**

[75] **Inventor: Roy O. Erickson, Jr., Cadillac, Mich.**

[73] **Assignee: Rexair, Inc., Troy, Mich.**

[**] **Term: 14 Years**

[21] **Appl. No.: 653,413**

[22] **Filed: Sep. 24, 1984**

[52] **U.S. Cl. D32/23**

[58] **Field of Search D32/1, 21-22,
 D32/23, 24, 25, 34; 15/326, 327 B, 327 D, 327
 E, 327 F, 324-325, 347, 327 R**

[56] **References Cited**

U.S. PATENT DOCUMENTS

D. 258,064	1/1981	Pearman, Jr.	D32/23
D. 266,612	10/1982	Hug	D32/23
D. 283,065	3/1986	Maier	D32/23
D. 656,009	10/1900	Kent	15/326
3,732,667	5/1973	Fromknecht et al.	15/327 D
4,342,131	8/1982	Reid	15/327 D
4,355,434	10/1982	Gongwer	15/327 R

OTHER PUBLICATIONS

Montgomery Ward, Fall & Winter, 1975, p. 695, Wards
 Powr Kraft Vacuum.

Hardware Age, vol. 218, Dec. 1981, p. 309, Shop. Vac.
 Silver.

Institutions, Aug. 1958, p. 57, Tornado.

Fuel Oil and Oil Heat, May 1959, p. 140, Model P-950.

"Rainbow Vacuum Cleaner" Advertising Brochure,
 Model D-3, Jun. 1980.

Primary Examiner—Wallace R. Burke

Assistant Examiner—Ruth Takemoto

Attorney, Agent, or Firm—Seidel, Gonda, Goldhammer
 & Abbott

[57] **CLAIM**

The ornamental design for a vacuum cleaner top, sub-
 stantially as shown and described.

DESCRIPTION

FIG. 1 is a perspective view of a vacuum cleaner top
 showing my new design;

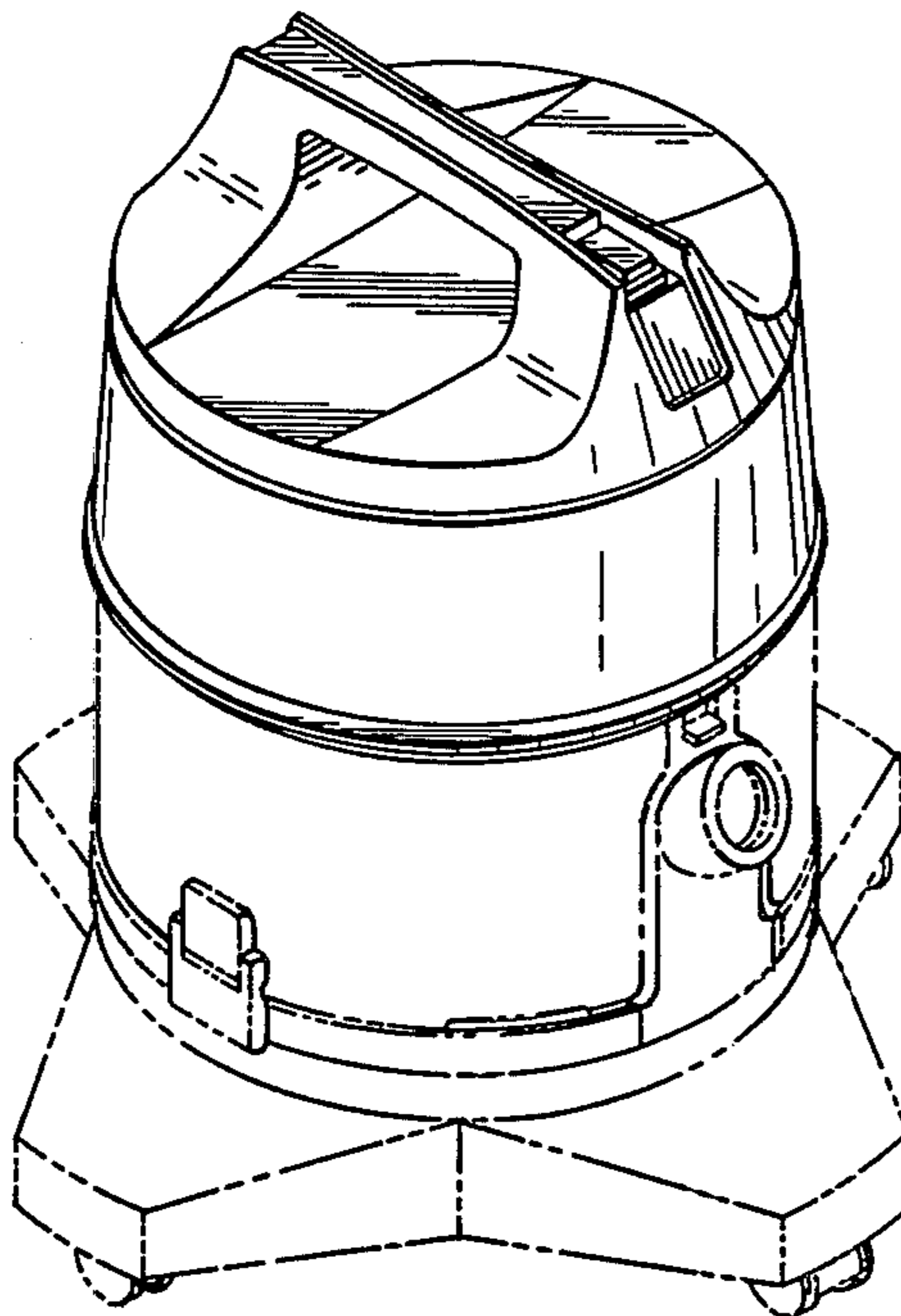
FIG. 2 is a top plan view thereof;

FIG. 3 is a front elevational view thereof;

FIG. 4 is a side elevational view thereof; and

FIG. 5 is a rear elevational view thereof.

The lower portion of the vacuum cleaner in FIGS. 1-5
 is shown in broken lines for illustrative purposes only
 and forms no part of the claimed design.



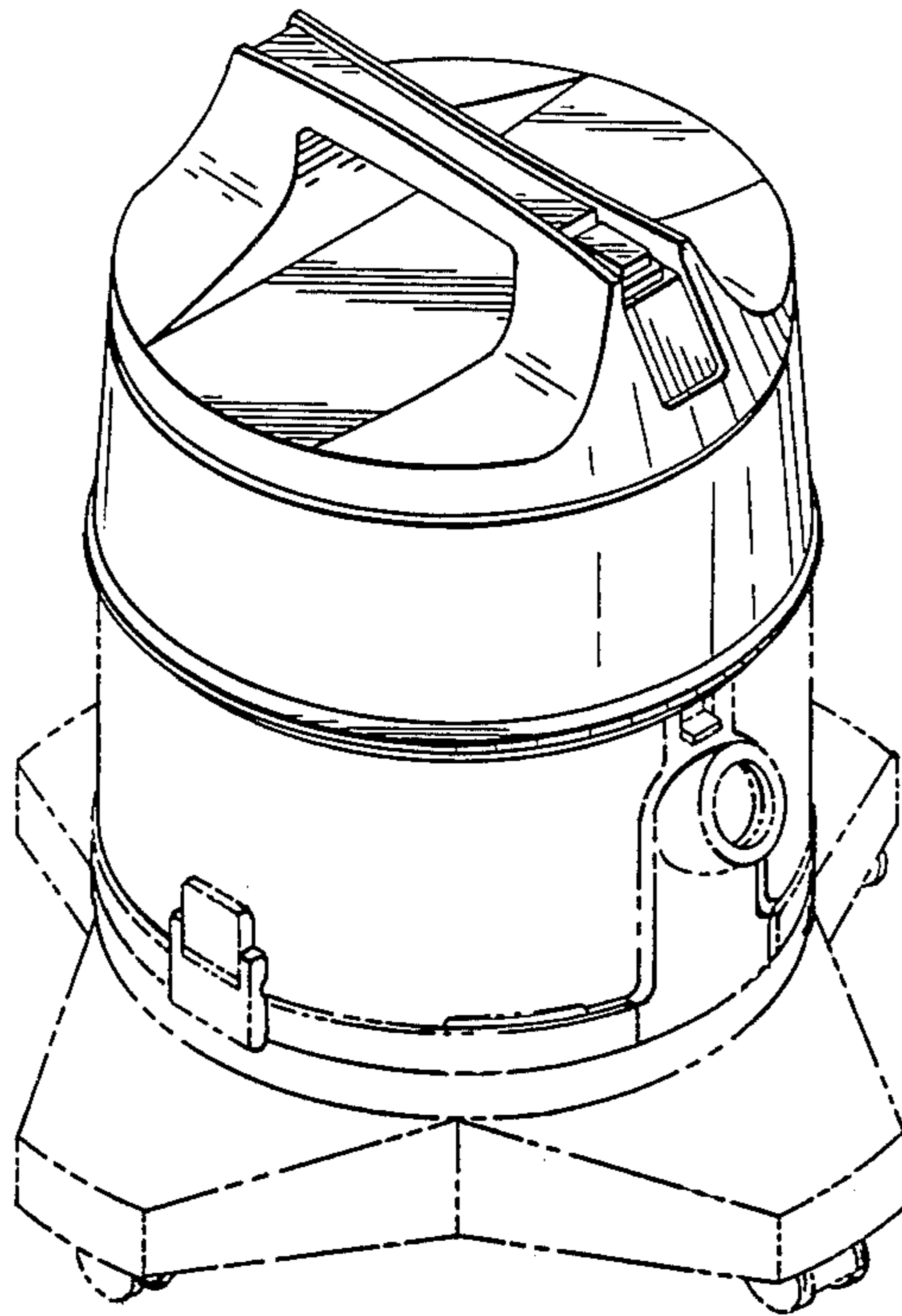


FIG. 1

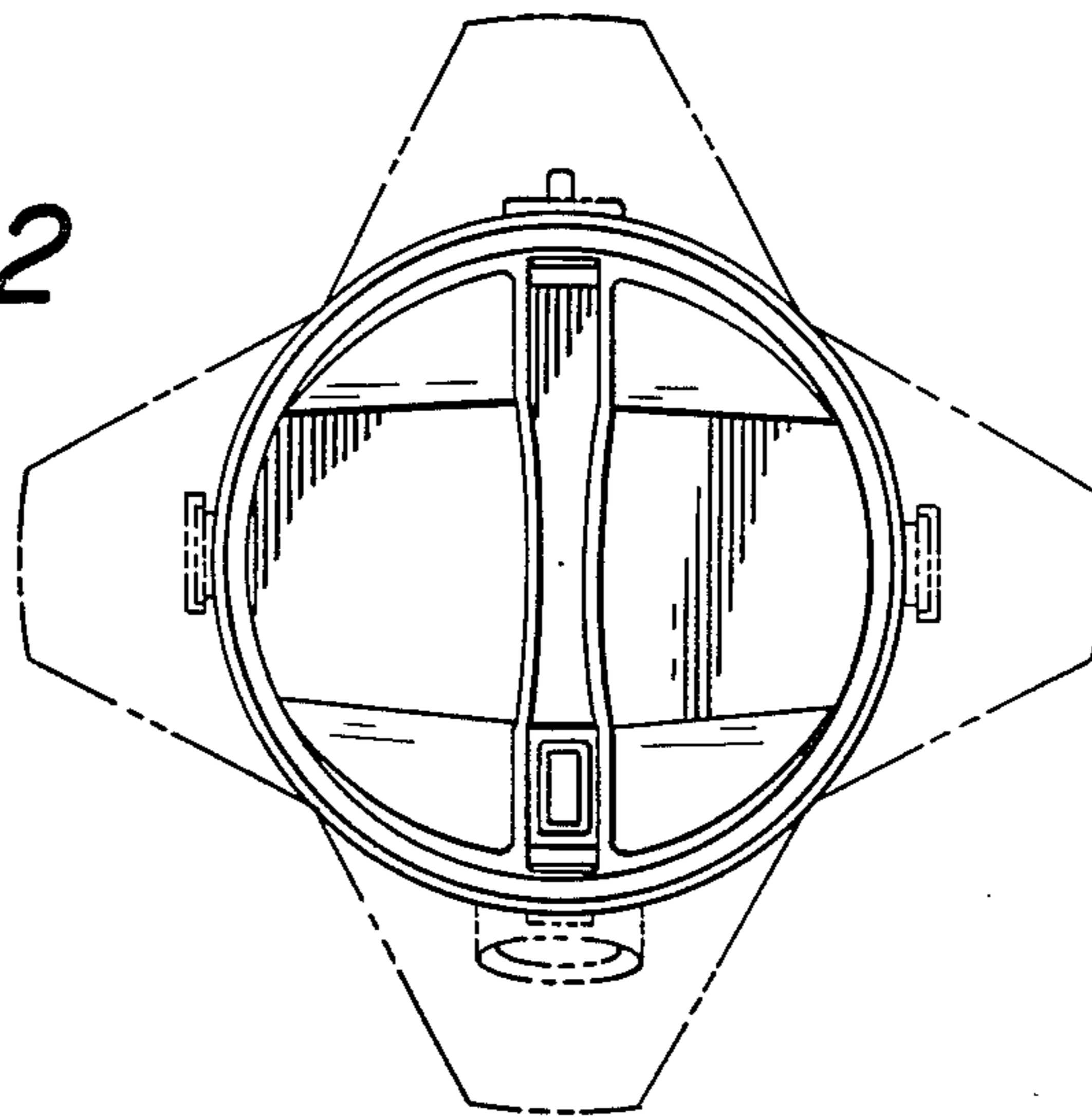


FIG. 2

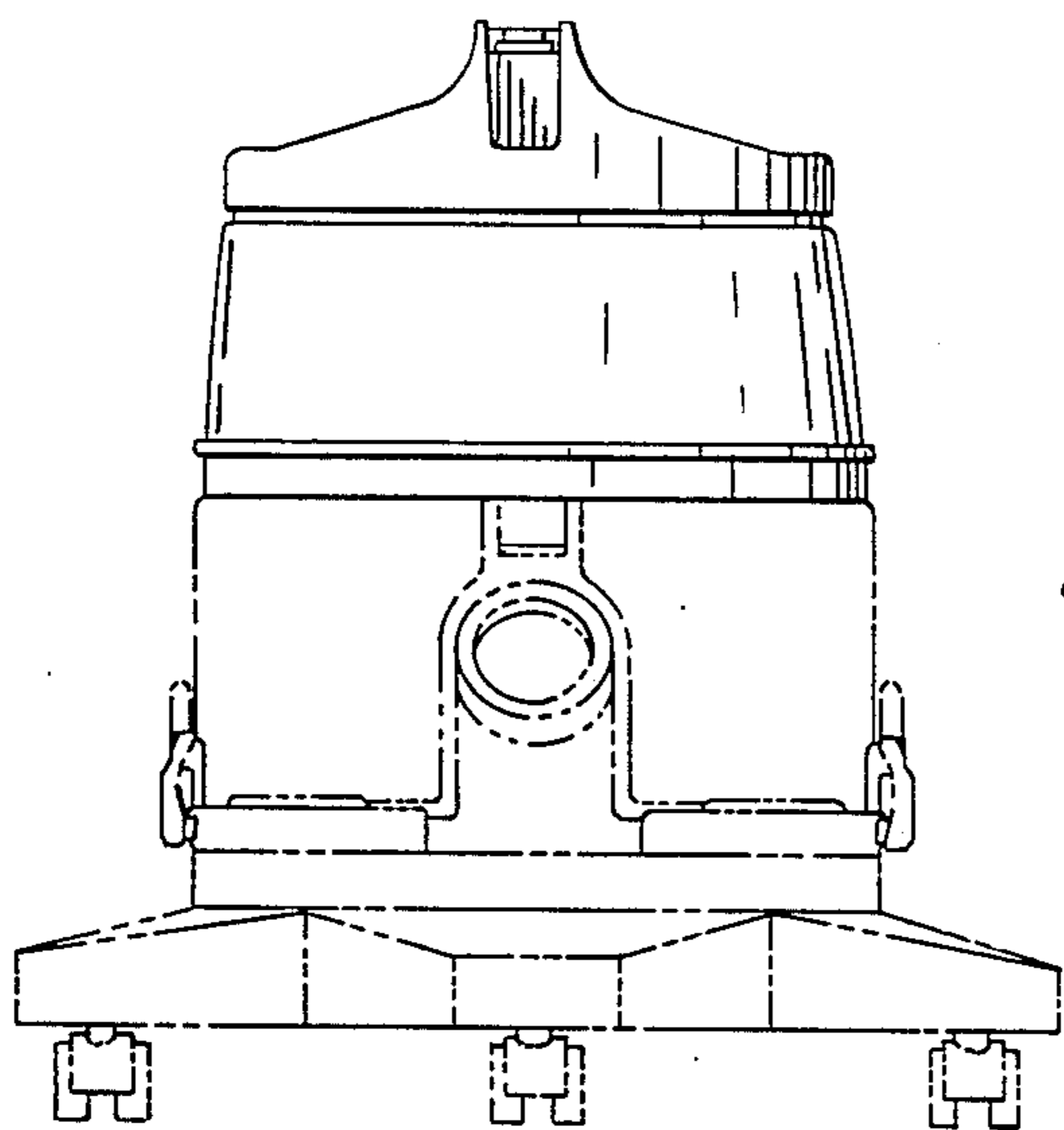


FIG. 3

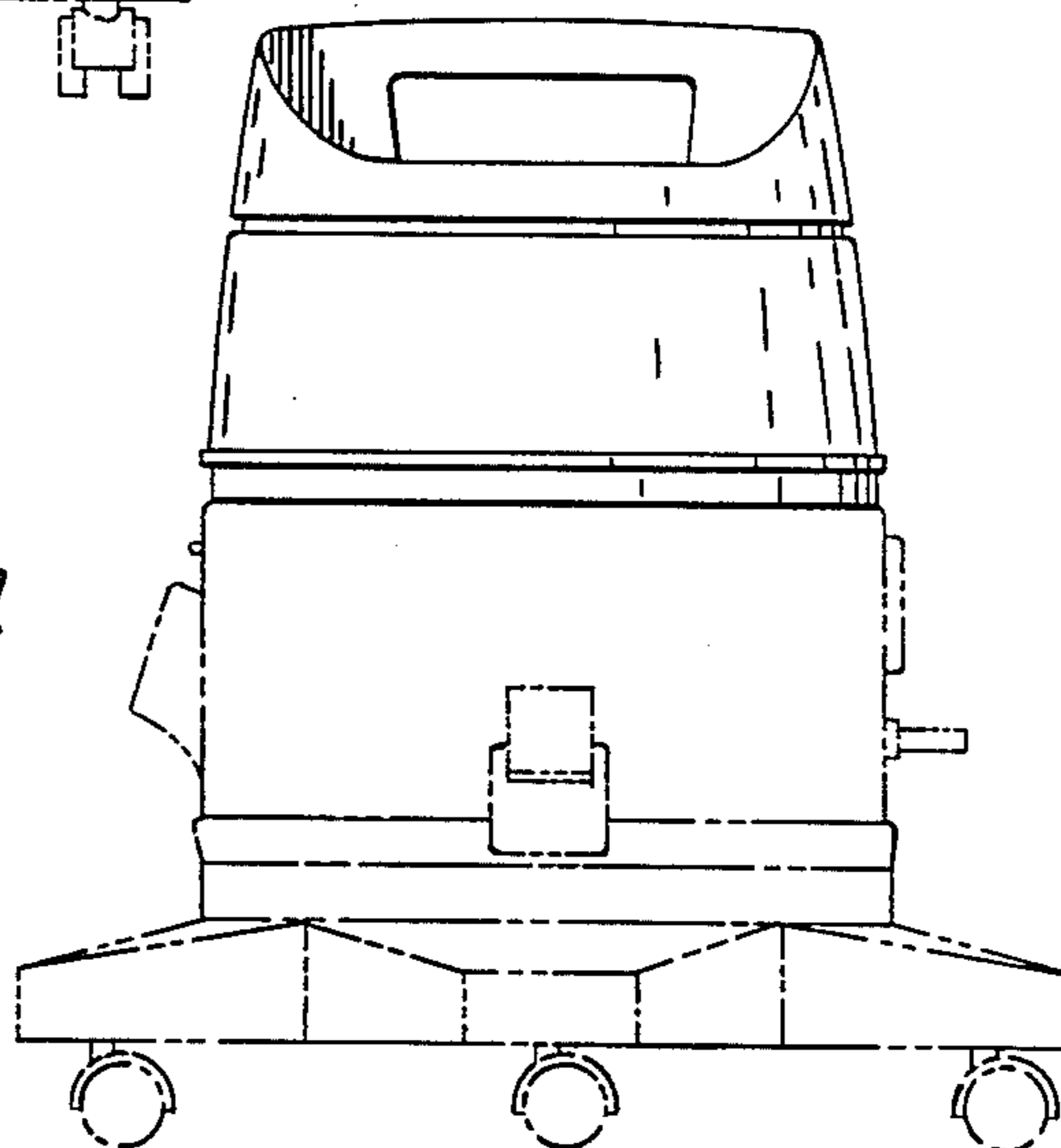


FIG. 4

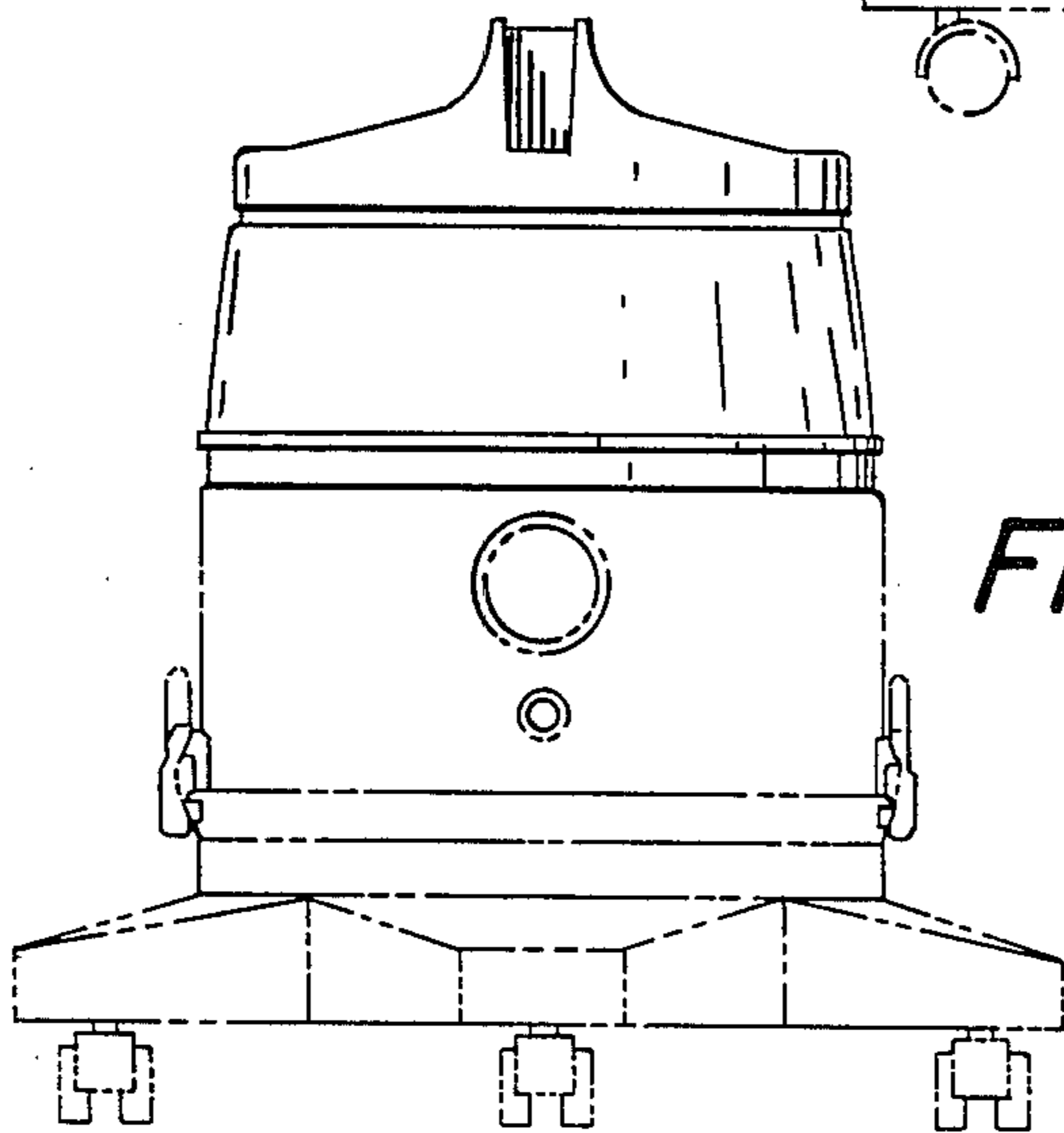


FIG. 5