

[54] BULK FEED CONTAINER AND DELIVERY CHUTE

[76] Inventor: Loyd Keeter, Rte. 1, Box 114, Throckmorton, Tex. 76083

[**] Term: 14 Years

[21] Appl. No.: 760,479

[22] Filed: Jul. 30, 1985

[52] U.S. Cl. D34/28; D23/202; D30/121

[58] Field of Search D30/13-17; D23/2, 202-206; D12/19, 95; D34/3, 28; 119/52 R, 52 B, 53; 298/7, 24, 27; 414/414; D15/26, 27

[56] References Cited

U.S. PATENT DOCUMENTS

- D. 161,852 2/1951 Meeder D34/28
- D. 213,080 12/1968 Detanger D34/28
- D. 215,666 10/1969 Curley D30/13
- D. 216,511 1/1970 Coleman D23/2
- D. 251,916 5/1979 Gendron et al. D23/2
- D. 278,457 4/1985 Schroder et al. D23/2

- 2,573,293 10/1951 Zuber 298/7
- 2,827,204 3/1958 McCordy 298/24 X
- 2,947,568 8/1960 Johnson 298/7 X
- 3,083,057 3/1963 Kiser et al. 298/7
- 3,318,486 5/1967 Felix 298/24 X
- 4,058,239 11/1977 Van Mill 298/7 X
- 4,523,690 6/1985 Cornelius 298/24 X

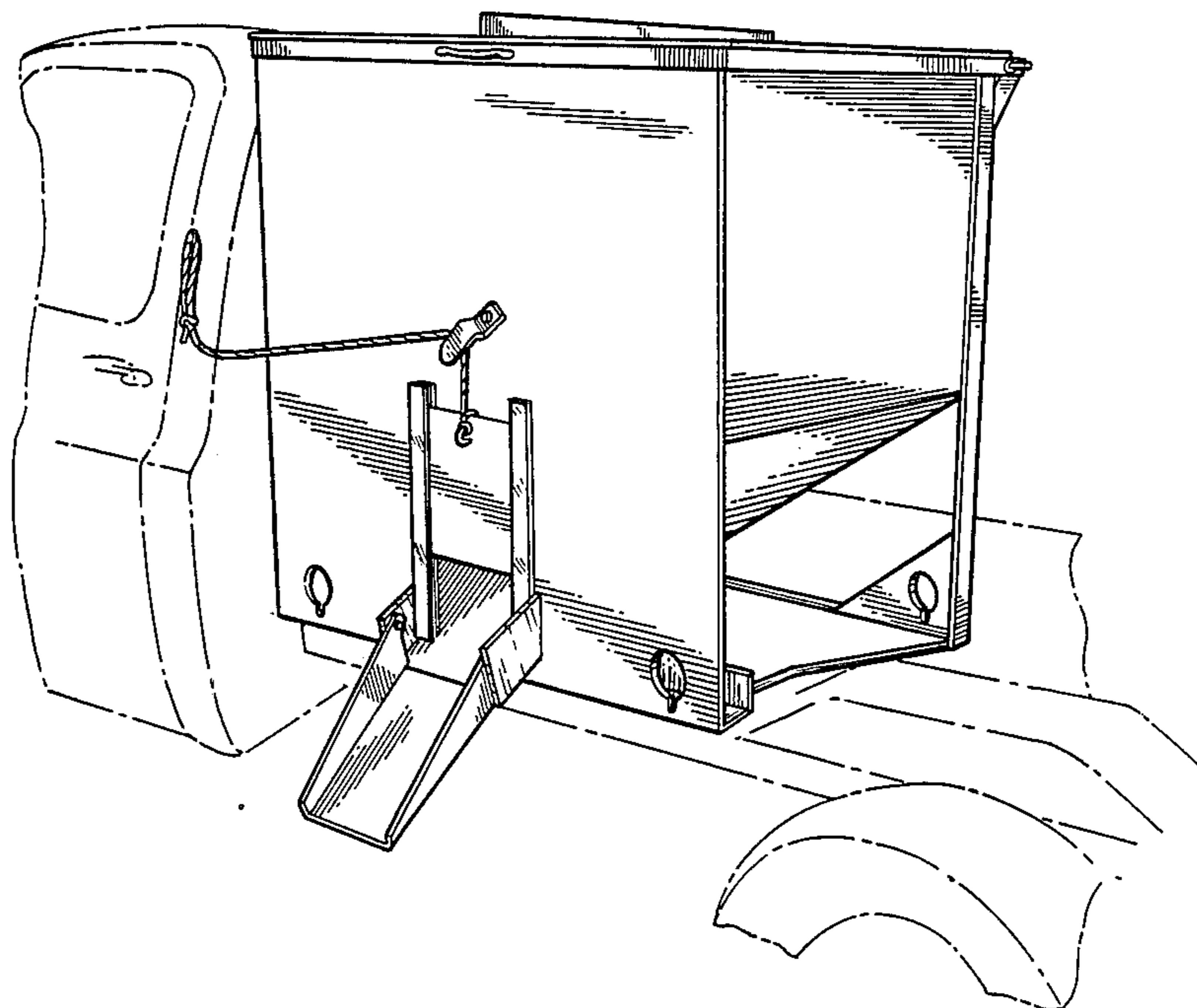
Primary Examiner—James R. Largen

[57] CLAIM

The ornamental design for a bulk feed container and delivery chute, as shown and described.

DESCRIPTION

FIG. 1 is a perspective view taken from the front and right side of a bulk feed container and delivery chute showing my new design;
 FIG. 2 is a front elevational view thereof;
 FIG. 3 is a right side elevational view thereof;
 FIG. 4 is a rear elevational view thereof;
 FIG. 5 is a left side elevational view thereof; and
 FIG. 6 is a top plan view thereof.
 The fragmentary broken line representation of a truck in FIG. 1 is for purposes of illustration only and forms no part of the claimed design.



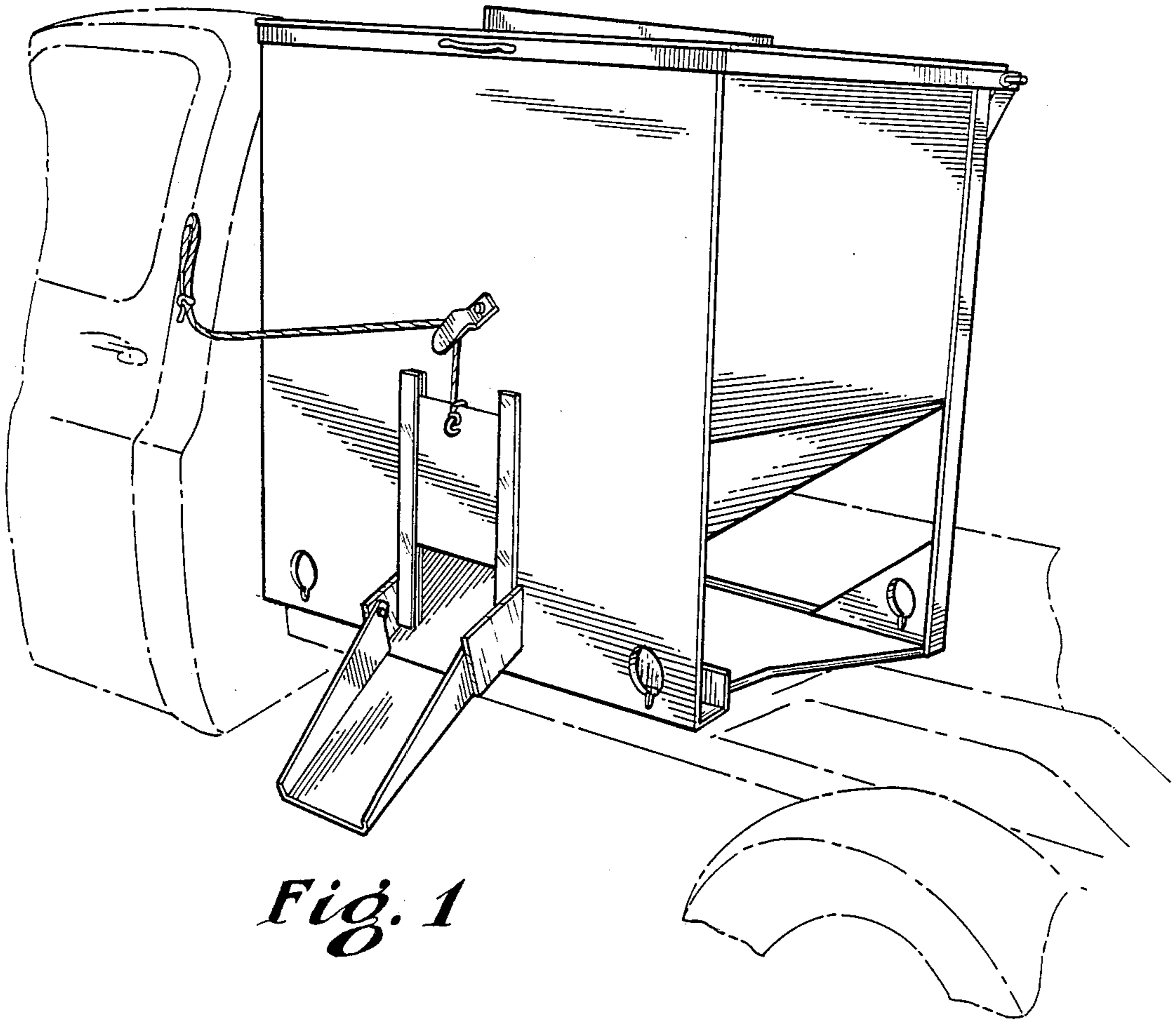


Fig. 1

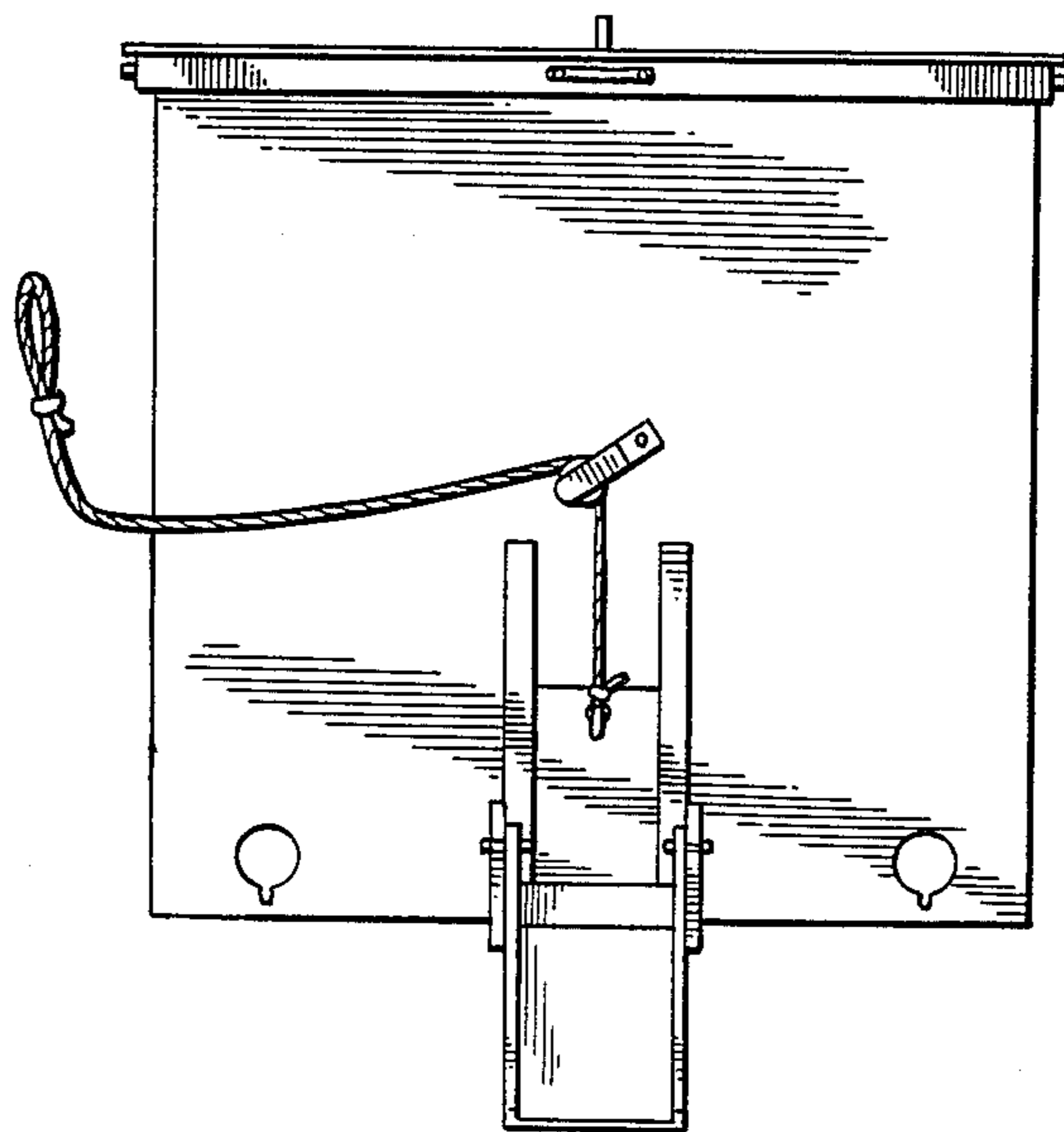


Fig. 2

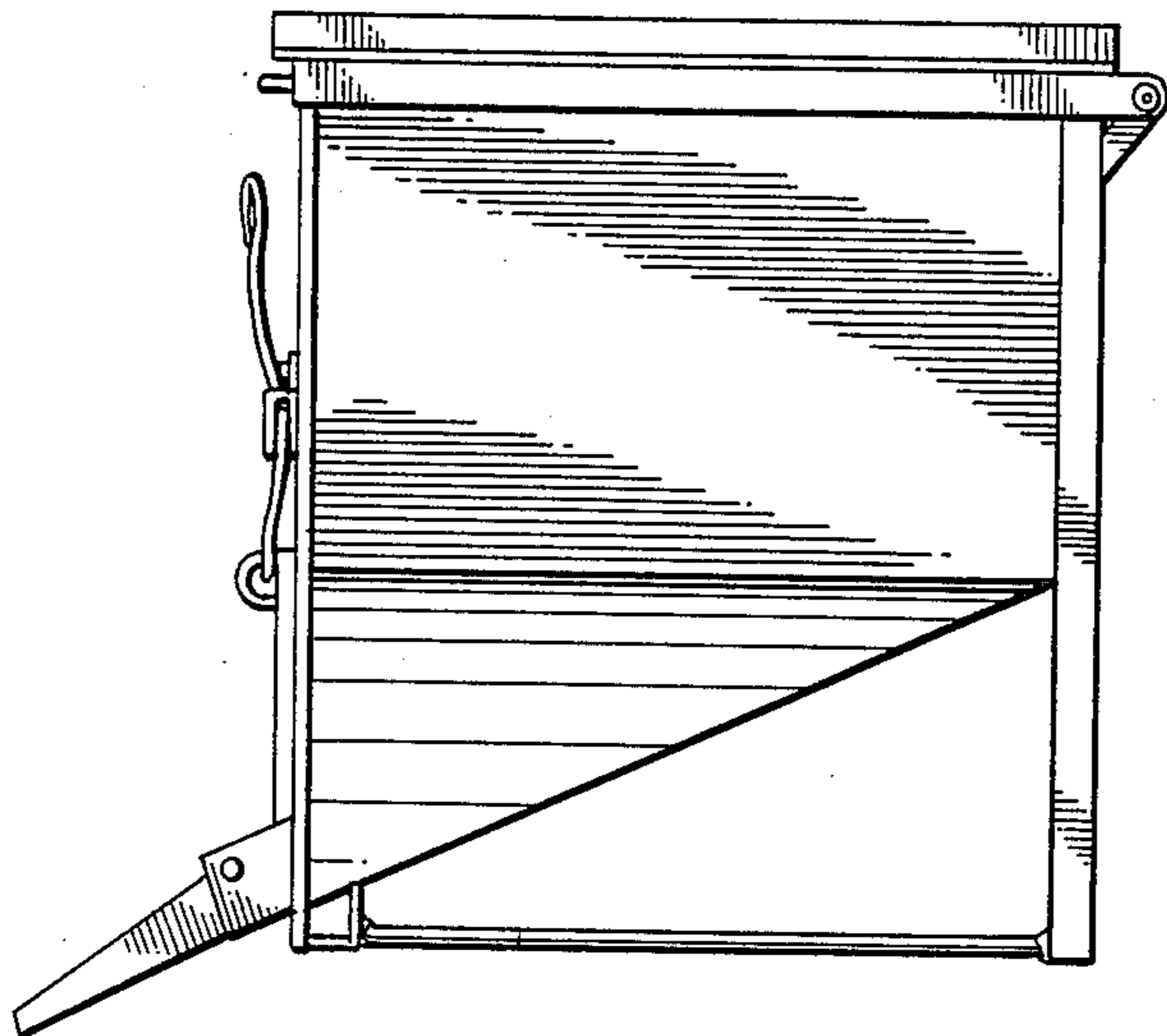


Fig. 3

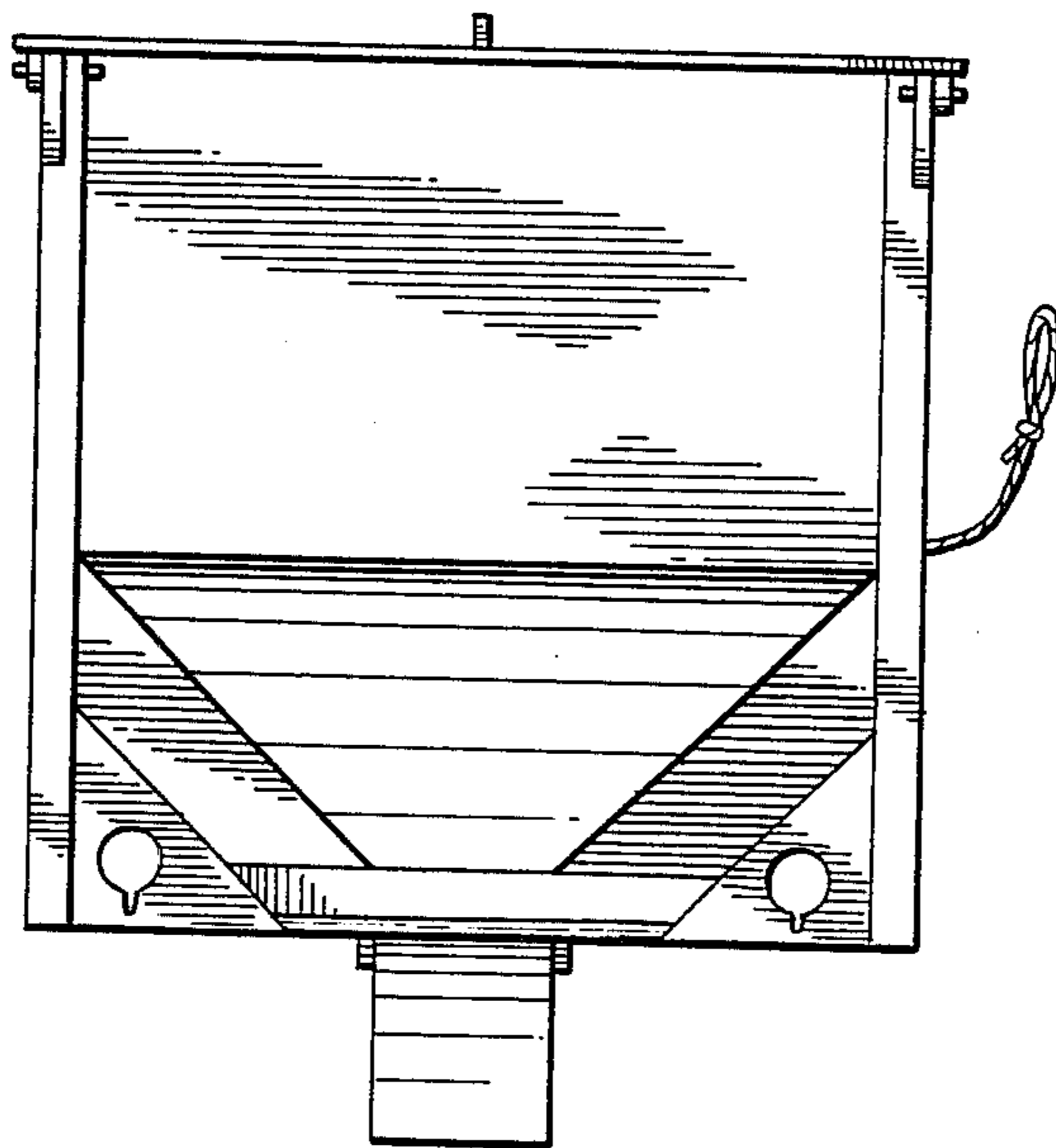


Fig. 4

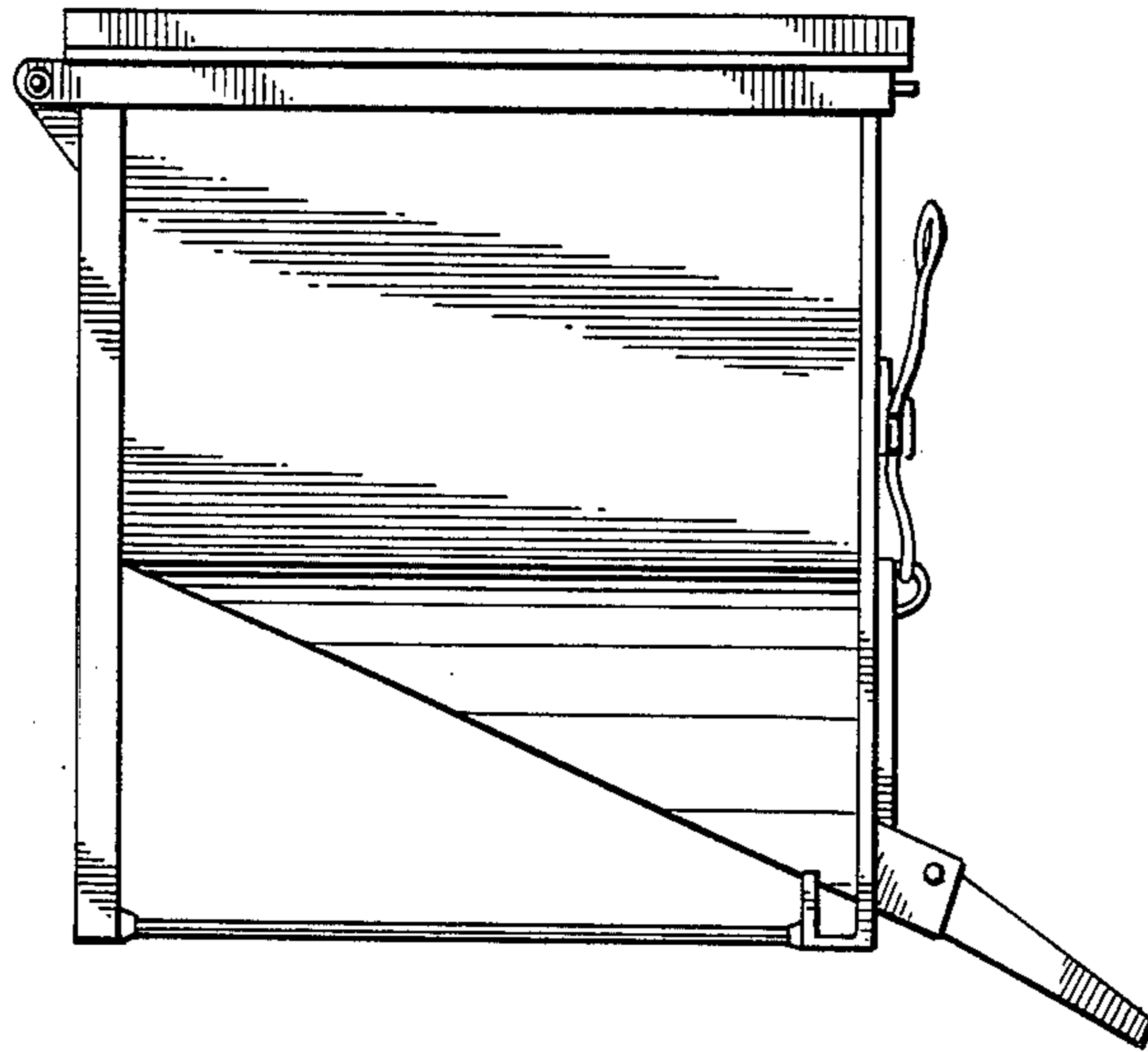


Fig. 5

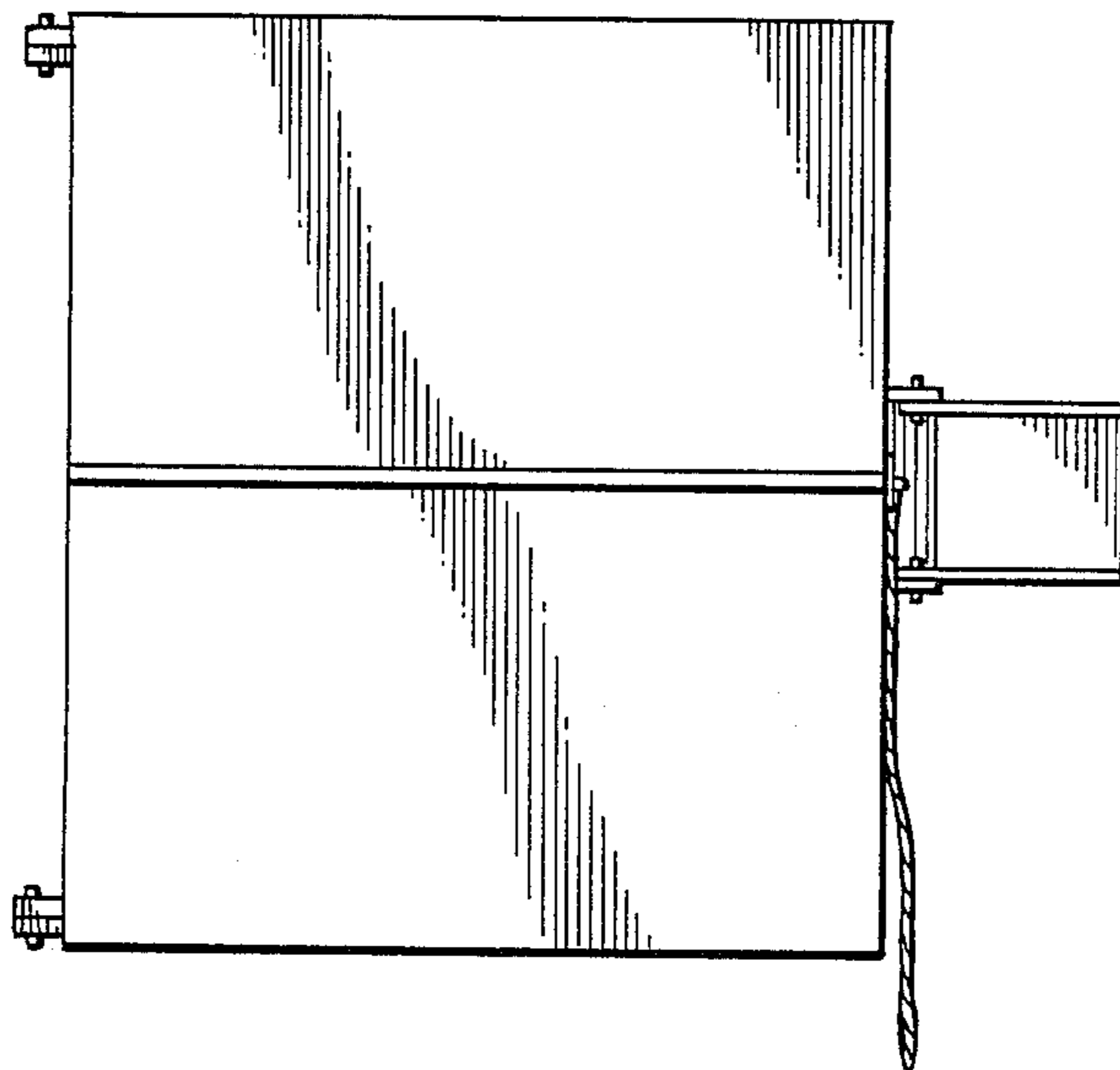


Fig. 6