

[54] PROTECTIVE HEADGEAR

[75] Inventors: Robert M. Ieutholt; Brian K. Bettis, both of Sarasota, Fla.

[73] Assignee: Eye Mask, Inc., Libertyville, Ill.

[**] Term: 14 Years

[21] Appl. No.: 857,799

[22] Filed: Apr. 25, 1986

[52] U.S. Cl. D29/15; D29/17

[58] Field of Search D29/8, 9, 12-17; D28/9; D24/49; 128/97, 163, 380, DIG. 15; D21/190; 2/206, 410, 421, 422, 423, 424, 425

[56] References Cited

U.S. PATENT DOCUMENTS

D. 212,988	12/1968	Katzman et al.	D24/36
D. 262,070	12/1981	Toms	D29/15
D. 292,330	10/1987	McColough	D29/15
D. 293,829	1/1988	Johnston	D28/9
2,364,571	12/1944	Turner	D29/15

2,616,081	11/1952	Weaver et al.	D29/17
3,211,146	10/1965	Rodelli	128/163
3,541,608	11/1970	Otwell	128/163
3,820,780	6/1974	Tarbox	129/97.1
4,614,189	9/1986	MacKenzie	128/380

Primary Examiner—Carmen H. Vales
Attorney, Agent, or Firm—Marshall, O'Toole, Gerstein, Murray & Bicknell

[57] CLAIM

The ornamental design for a protective headgear, as shown and described.

DESCRIPTION

FIG. 1 is a perspective view of a protective head gear showing our new design;
FIG. 2 is a top plan view thereof;
FIG. 3 is a side elevational view, the opposite side being a mirror image thereof;
FIG. 4 is a front elevational view thereof; and
FIG. 5 is a rear elevational view with the straps in extended position.

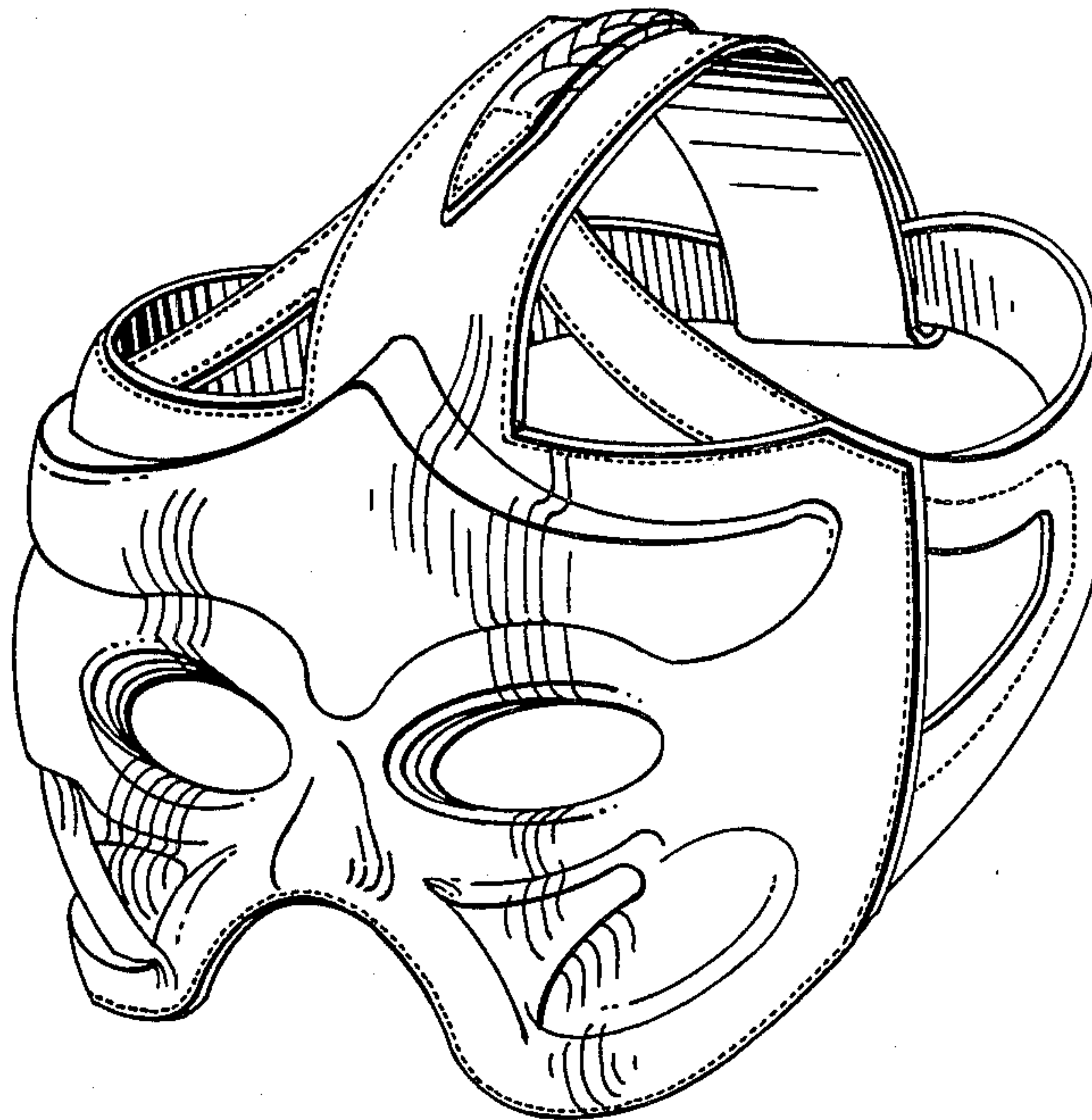


Fig. 1

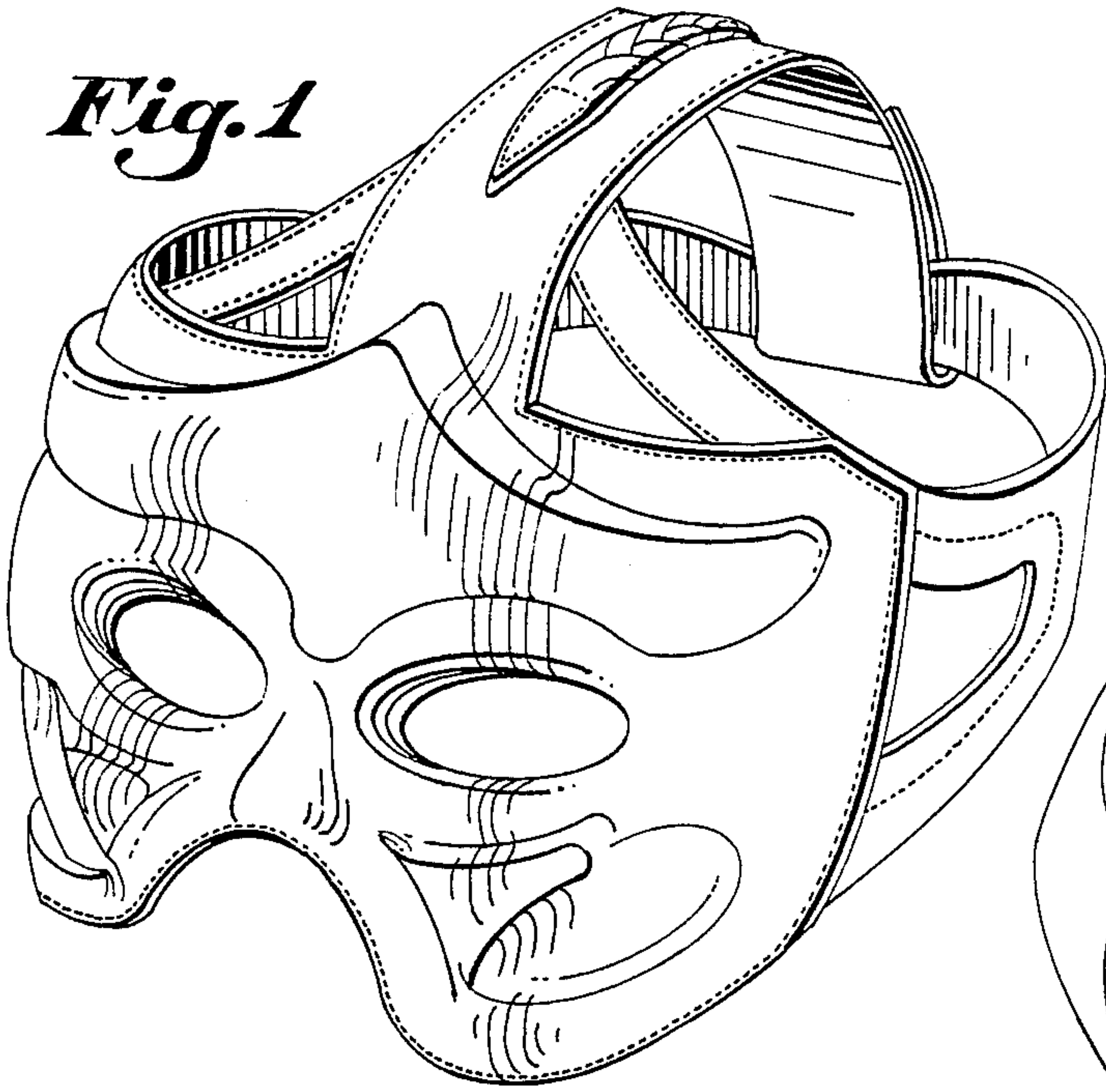


Fig. 2

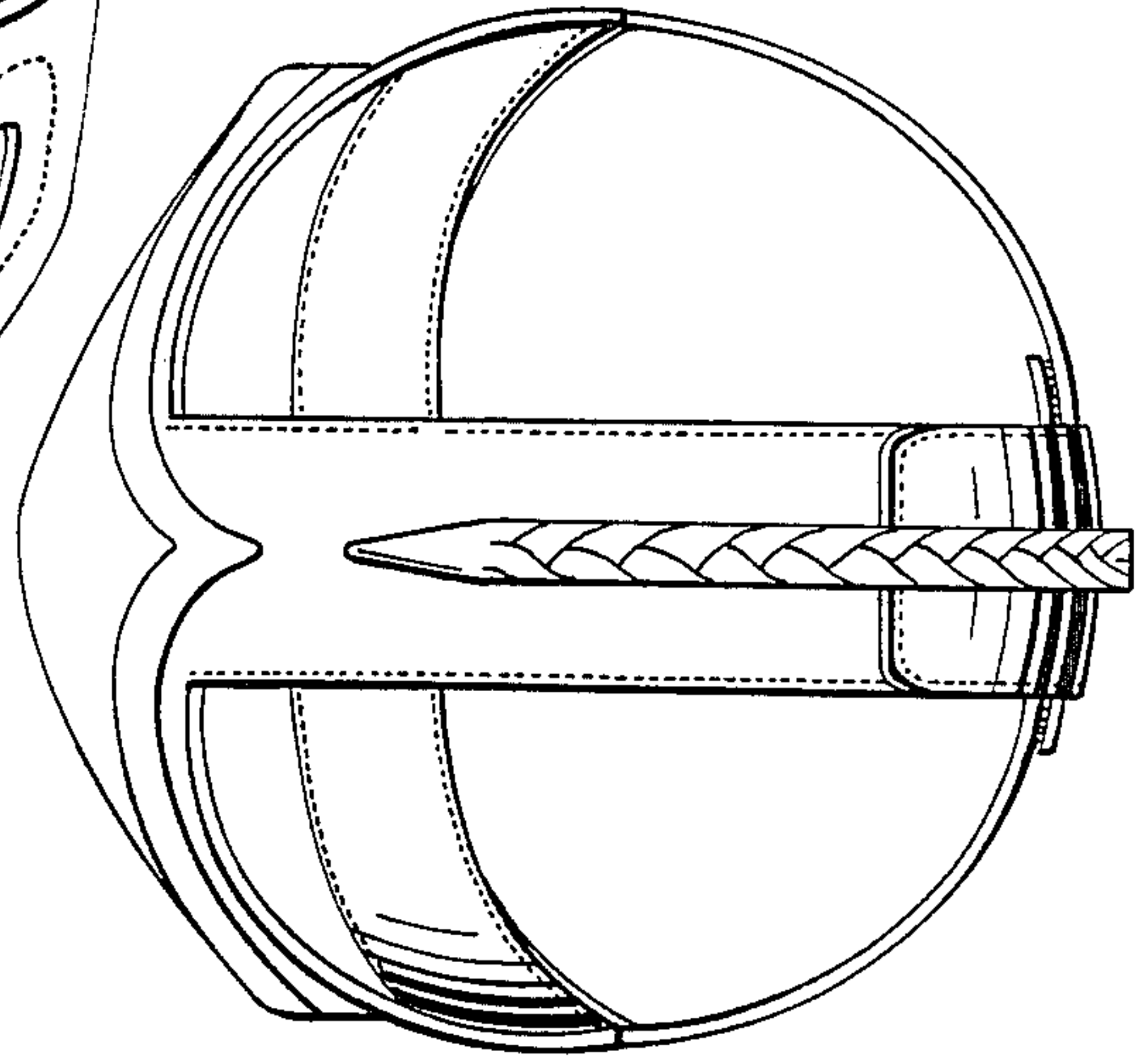


Fig. 4

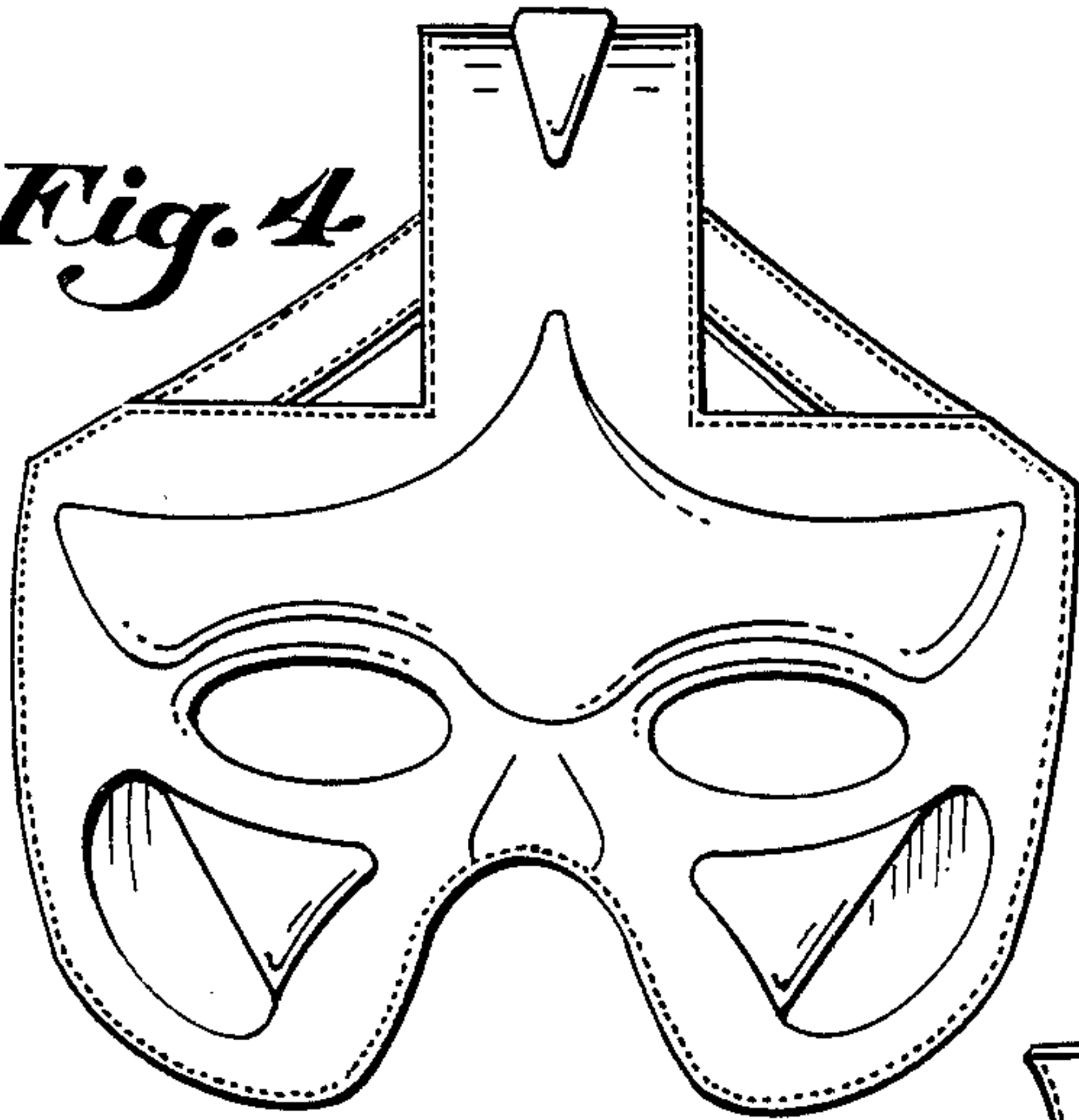


Fig. 3

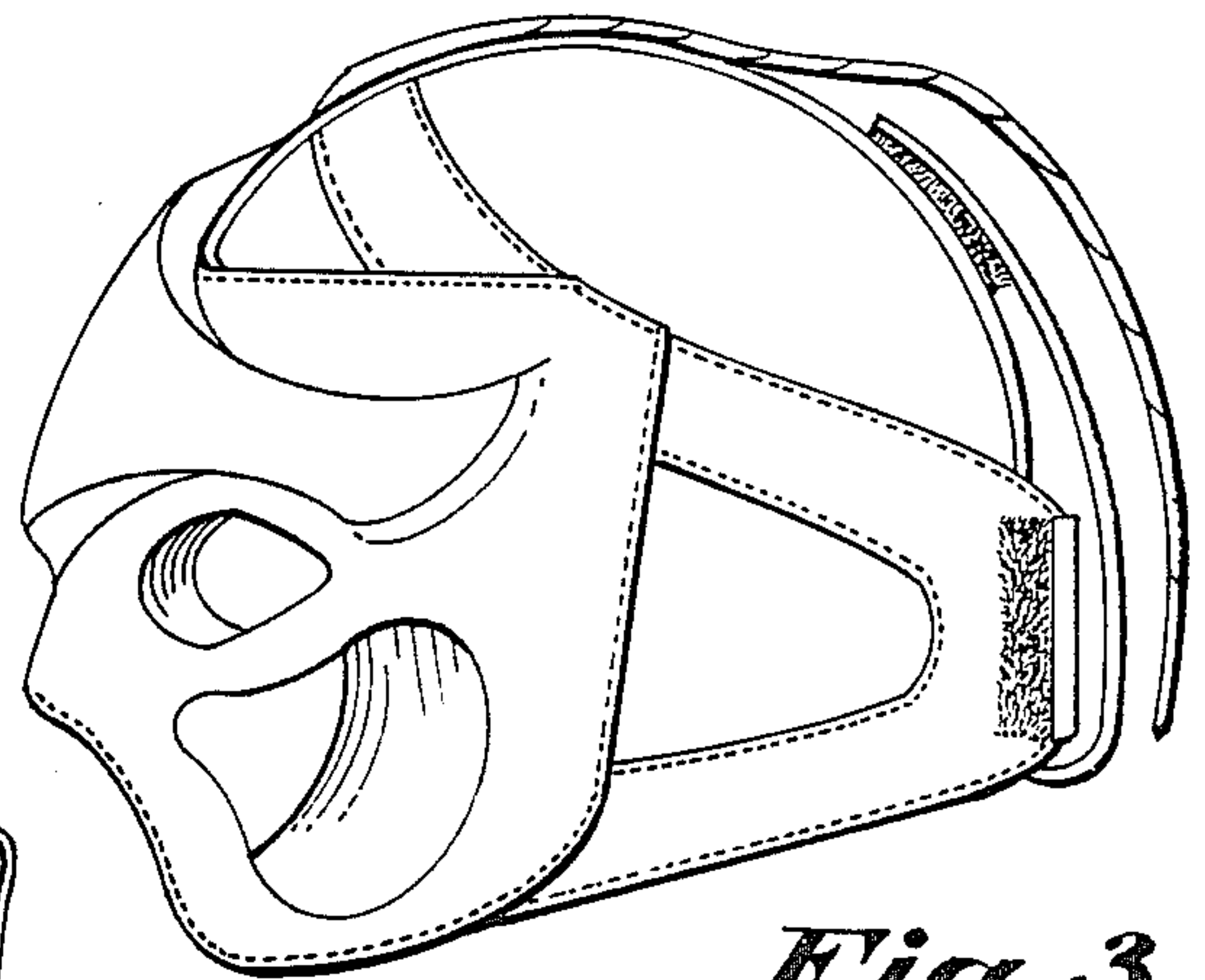


Fig. 5

