

[54] **CIGARETTE PACK**

[75] **Inventor: Brian C. Ameringen, Harrow, United Kingdom**

[73] **Assignee: British American Tobacco Company Limited, London, England**

[**] **Term: 14 Years**

[21] **Appl. No.: 719,904**

[22] **Filed: Apr. 4, 1985**

[30] **Foreign Application Priority Data**

Nov. 6, 1984 [GB] United Kingdom 1023093
[52] **U.S. CL. D9/423; D27/189**
[58] **Field of Search D27/43-50;
229/44 CB**

[56] **References Cited**

U.S. PATENT DOCUMENTS

D. 279,507 7/1985 Schechter et al. D27/47
3,933,299 1/1976 Shimada et al. D27/47

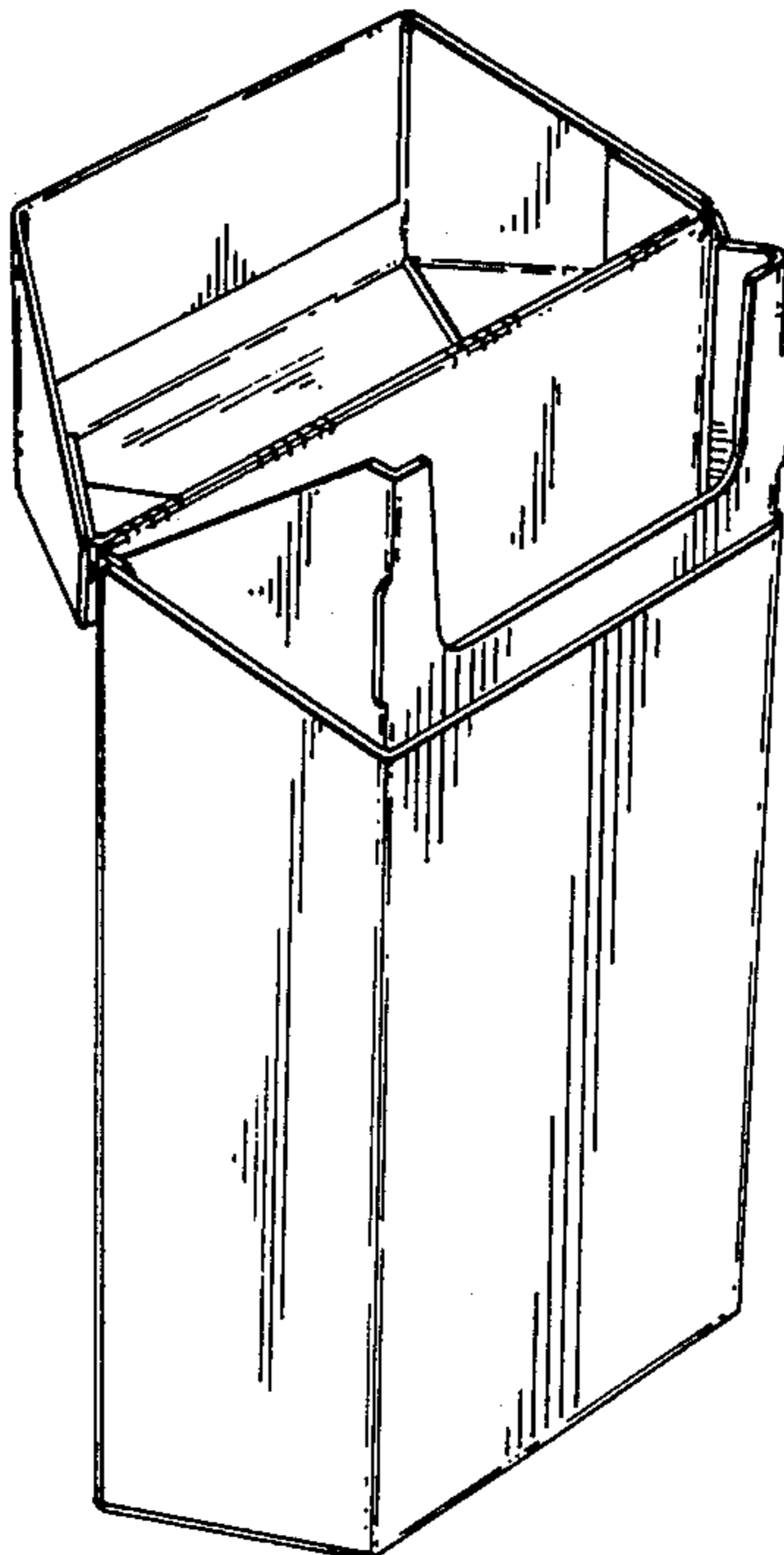
Primary Examiner—Catherine E. Kemper
Attorney, Agent, or Firm—Kane, Dalsimer, Sullivan,
Kurucz, Levy, Eisele and Richard

[57] **CLAIM**

The ornamental design for a cigarette pack, as shown and described.

DESCRIPTION

FIG. 1 is an isometric view of a cigarette pack showing my new design;
FIG. 2 is a rear elevational view thereof;
FIG. 3 is a top side view thereof;
FIG. 4 is a right side elevational view thereof; and
FIG. 5 is an isometric view thereof in the open position.



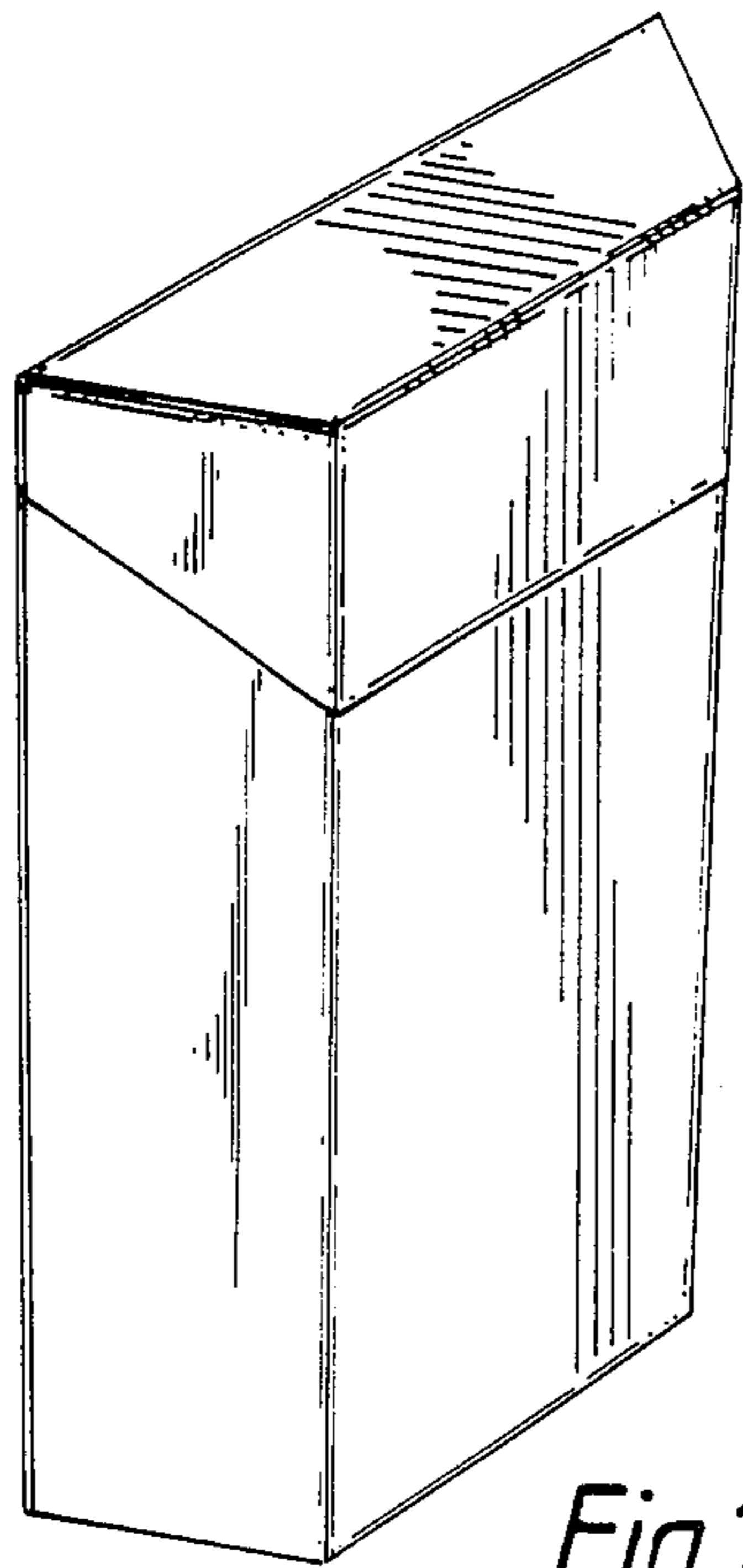


Fig. 1.

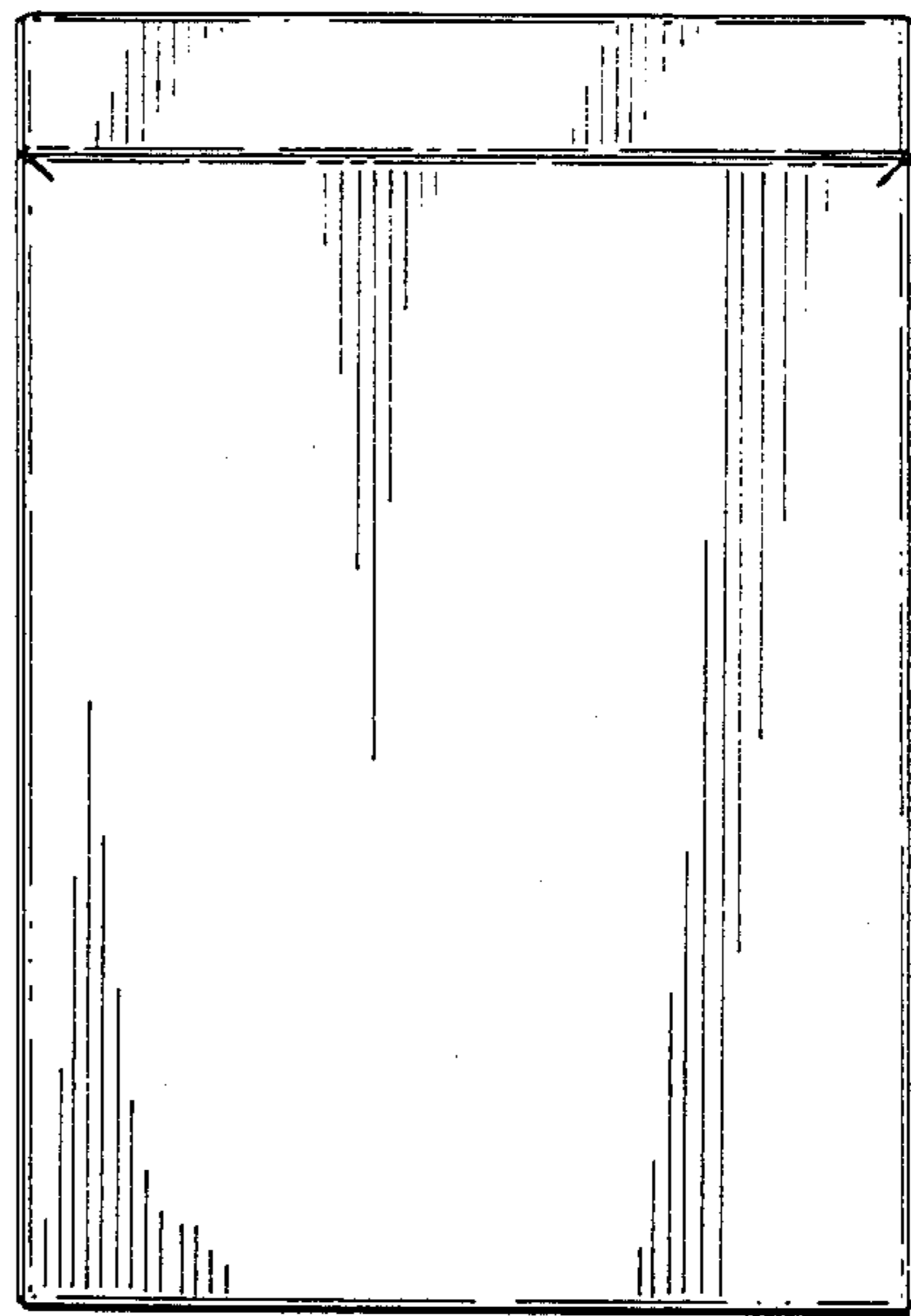


Fig. 2.

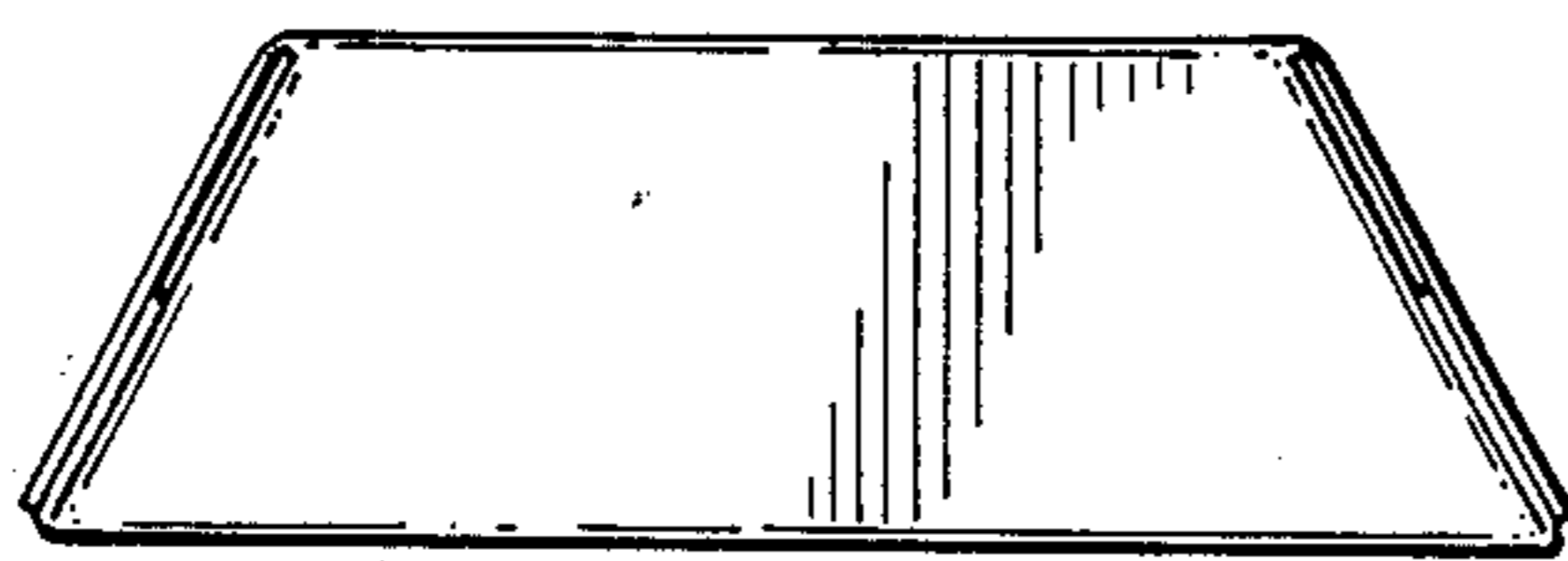


Fig. 3.

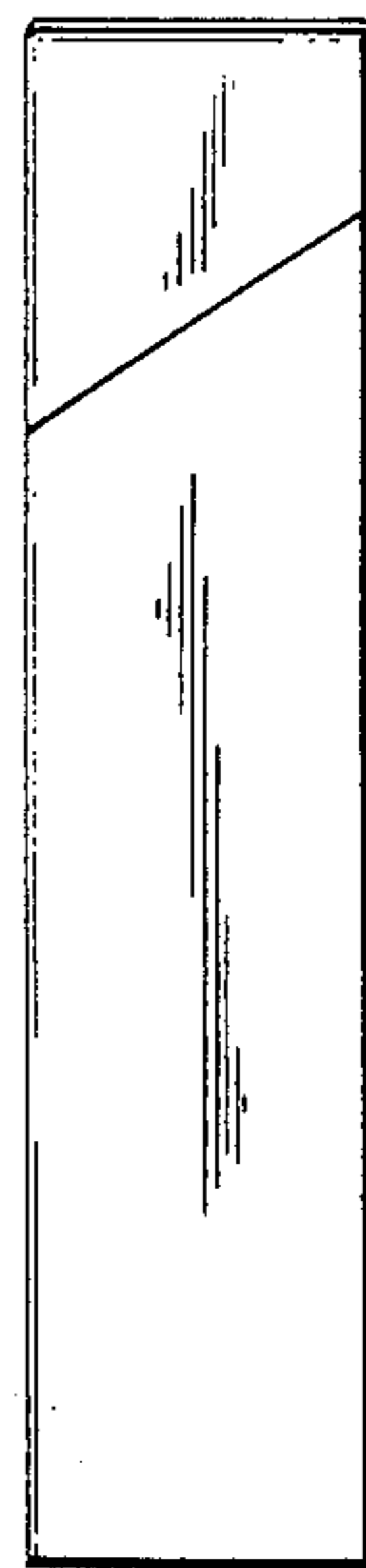


Fig. 4.

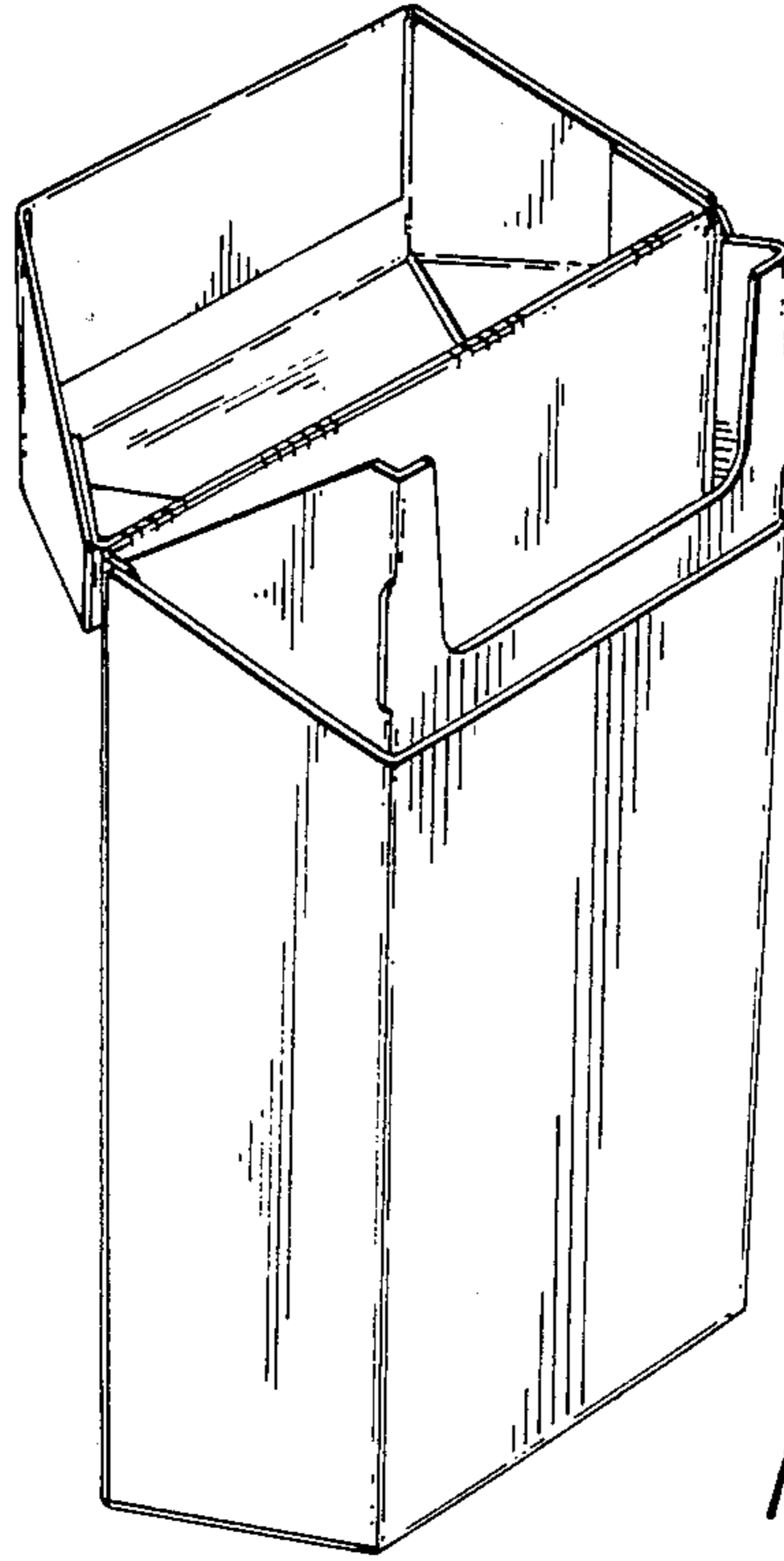


Fig. 5.