

[54] FRONT COMBINATION LAMP FOR AN AUTOMOBILE

[75] Inventor: Shinichi Inada, Toyota, Japan

[73] Assignee: Toyota Jidosha Kabushiki Kaisha, Aichi, Japan

[**] Term: 14 Years

[21] Appl. No.: 803,916

[22] Filed: Nov. 5, 1985

[52] U.S. Cl. D26/28

[58] Field of Search D26/28-36, D26/119, 120, 121, 122; 361/61, 80, 82, 83, 326-339

[56] References Cited

U.S. PATENT DOCUMENTS

- D. 271,142 10/1983 Hirasawa D26/120
- D. 271,811 12/1983 Luthe et al. D26/122
- 4,532,578 7/1985 Gaden 362/83

Primary Examiner—Susan J. Lucas

Attorney, Agent, or Firm—Parkhurst & Oliff

[57] CLAIM

The ornamental design for a front combination lamp for an automobile, as shown and described.

DESCRIPTION

FIG. 1 is a top, front and left side perspective view of a front combination lamp for an automobile showing my new design;

FIG. 2 is a front elevational view thereof on a reduced scale;

FIG. 3 is a rear elevational view thereof on a reduced scale;

FIG. 4 is a right side elevational view thereof on a reduced scale;

FIG. 5 is a left side elevational view thereof on a reduced scale;

FIG. 6 is a top plan view thereof on a reduced scale;

FIG. 7 is a bottom plan view thereof on a reduced scale; and

FIG. 8 is an enlarged cross sectional view taken along the line VIII—VIII in FIG. 2.

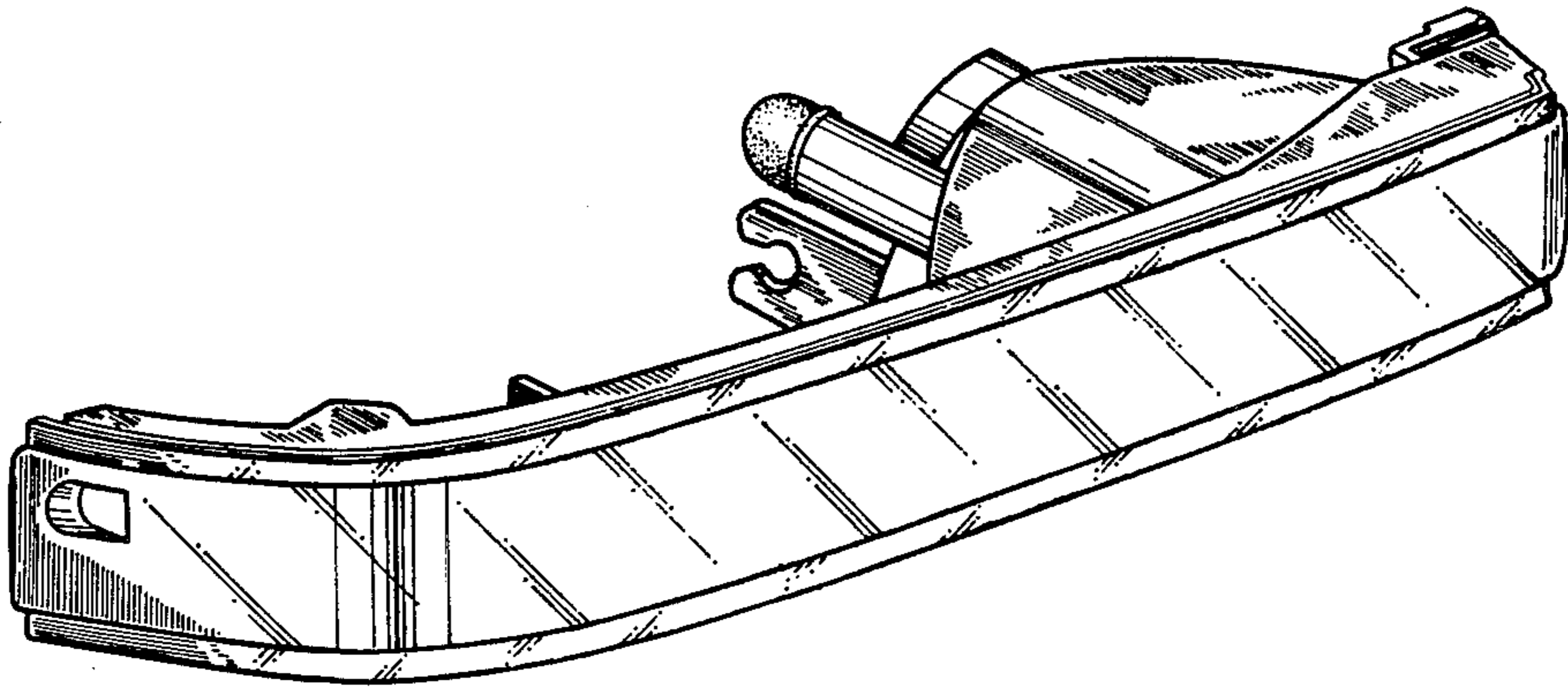


Fig. 1

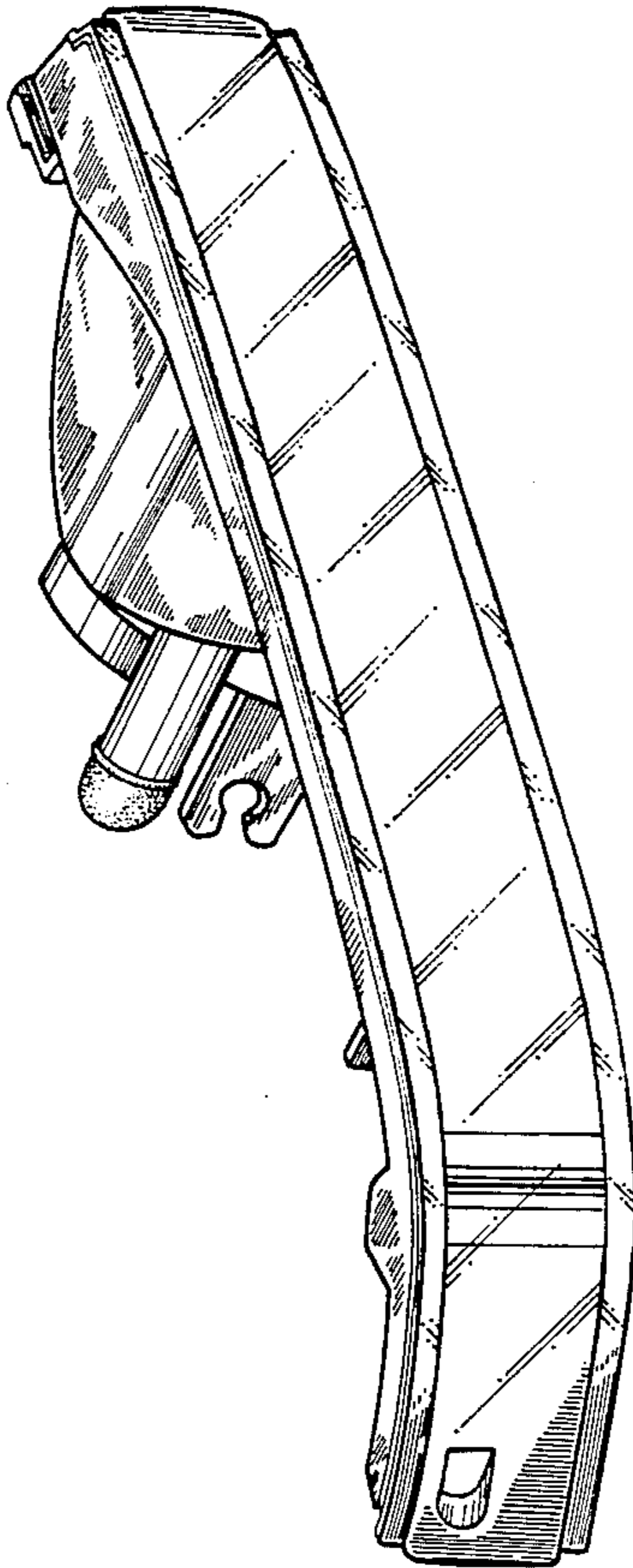


Fig. 2

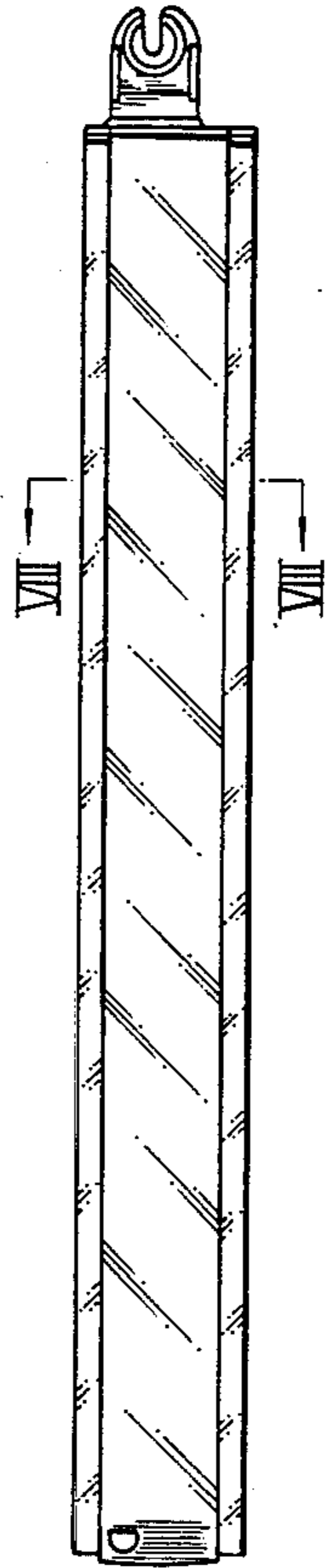


Fig. 3



Fig. 4

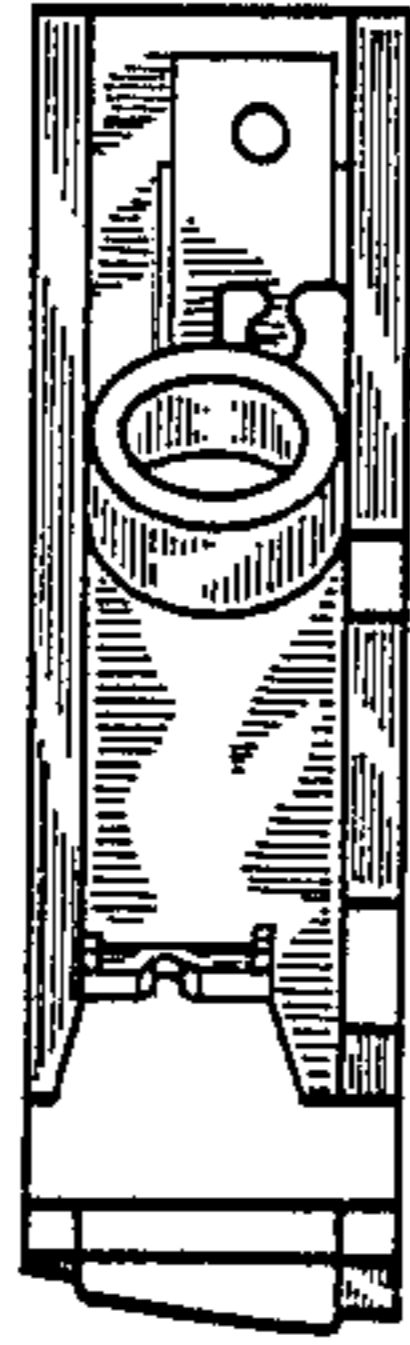


Fig. 5



Fig. 6

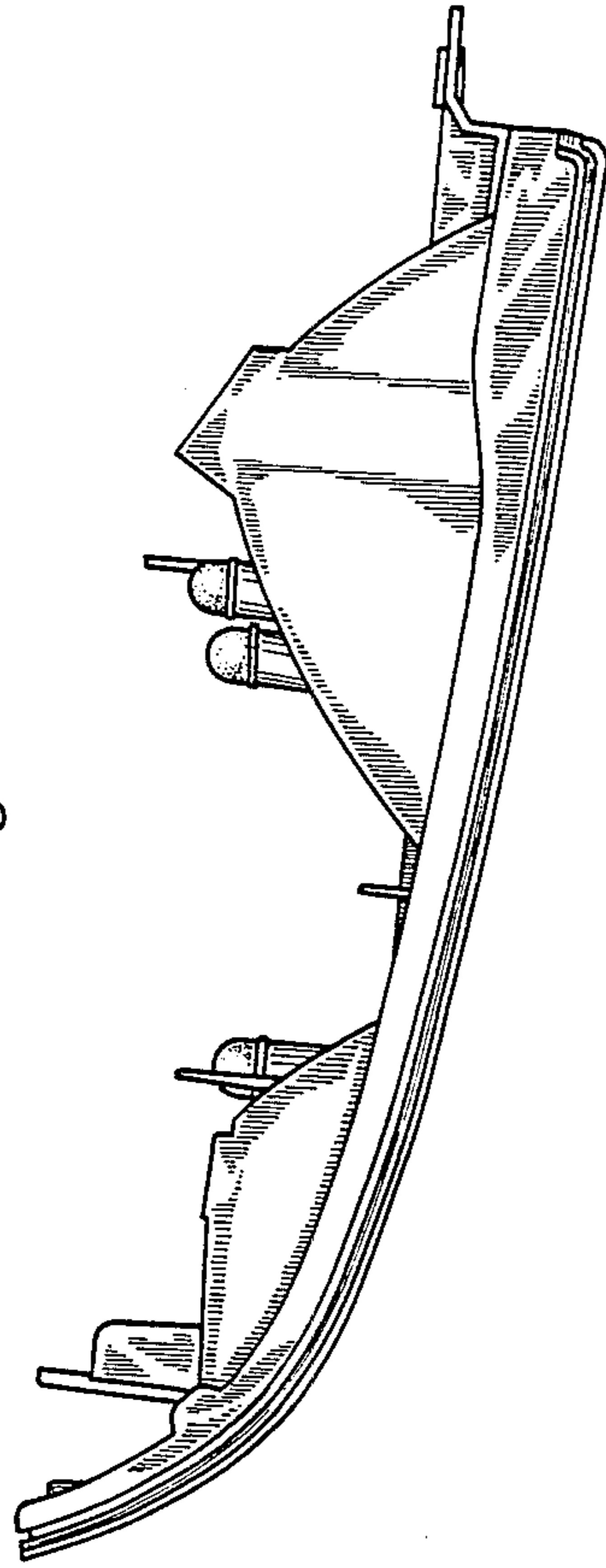


Fig. 7

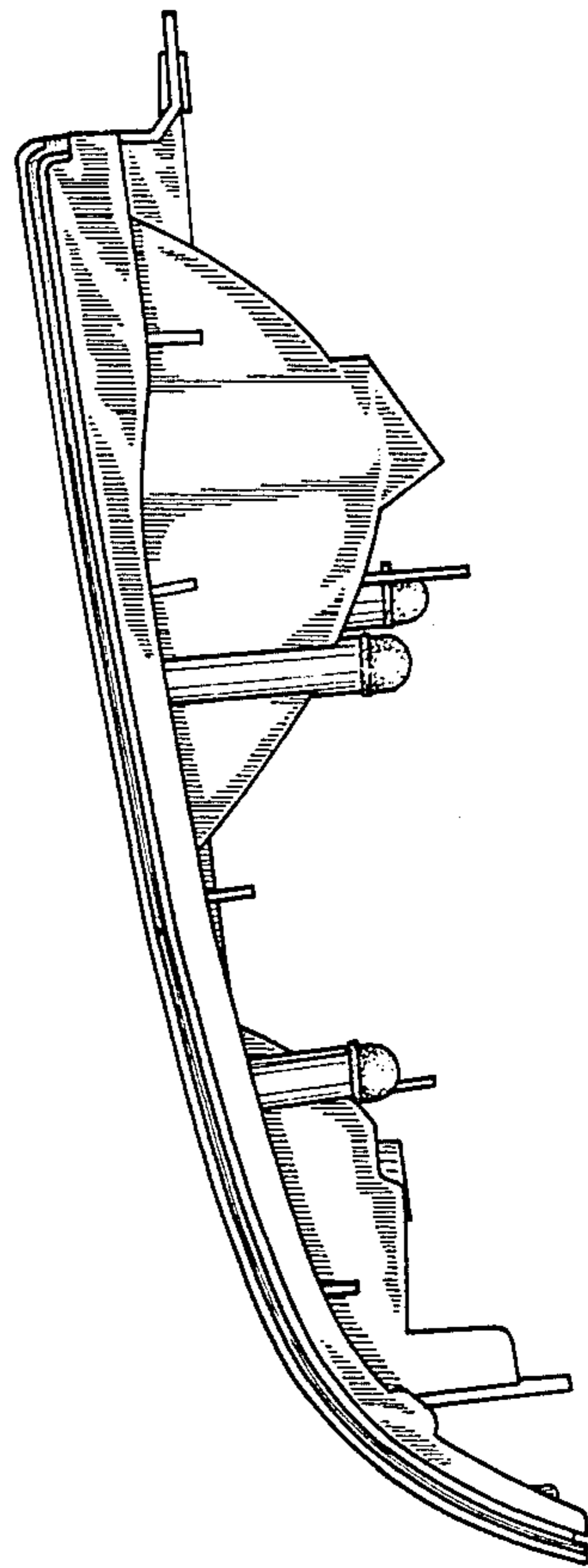


Fig. 8

