

United States Patent [19]

Tranghese

[11] Patent Number: **Des. 296,932**

[45] Date of Patent: **** Jul. 26, 1988**

[54] **LEG ELEVATOR**

[76] Inventor: **John V. Tranghese, 84 Bel Air Dr., Longmeadow, Mass. 01116**

[**] Term: **14 Years**

[21] Appl. No.: **834,828**

[22] Filed: **Feb. 21, 1986**

[52] U.S. Cl. **D24/64; D6/502**

[58] Field of Search **D24/64; 128/80 R, 83, 128/84 R, 84 C, 85, 87 R; 297/438, 423; 269/328; D6/502, 503, 501, 382; 5/431, 443**

[56] **References Cited**

U.S. PATENT DOCUMENTS

D. 202,691 11/1965 Essmann D6/382 X
D. 227,847 7/1973 Molle D6/502 X
D. 262,911 2/1982 Weddell D24/64

D. 268,802 5/1983 Fenwick D24/64 X
3,066,322 12/1962 Derby 128/80 R
4,270,235 6/1981 Gutmann 269/328 X

Primary Examiner—Wallace R. Burke
Assistant Examiner—Stella M. Reid
Attorney, Agent, or Firm—Donald S. Holland

[57] **CLAIM**

The ornamental design for a leg elevator, as shown.

DESCRIPTION

FIG. 1 is a top perspective view of a leg elevator showing my new design;

FIG. 2 is a bottom perspective view thereof;

FIG. 3 is a left end elevational view of the leg elevator from FIG. 2;

FIG. 4 is a left end elevational view of the leg elevator from FIG. 1; and

FIG. 5 is a bottom plan view thereof.

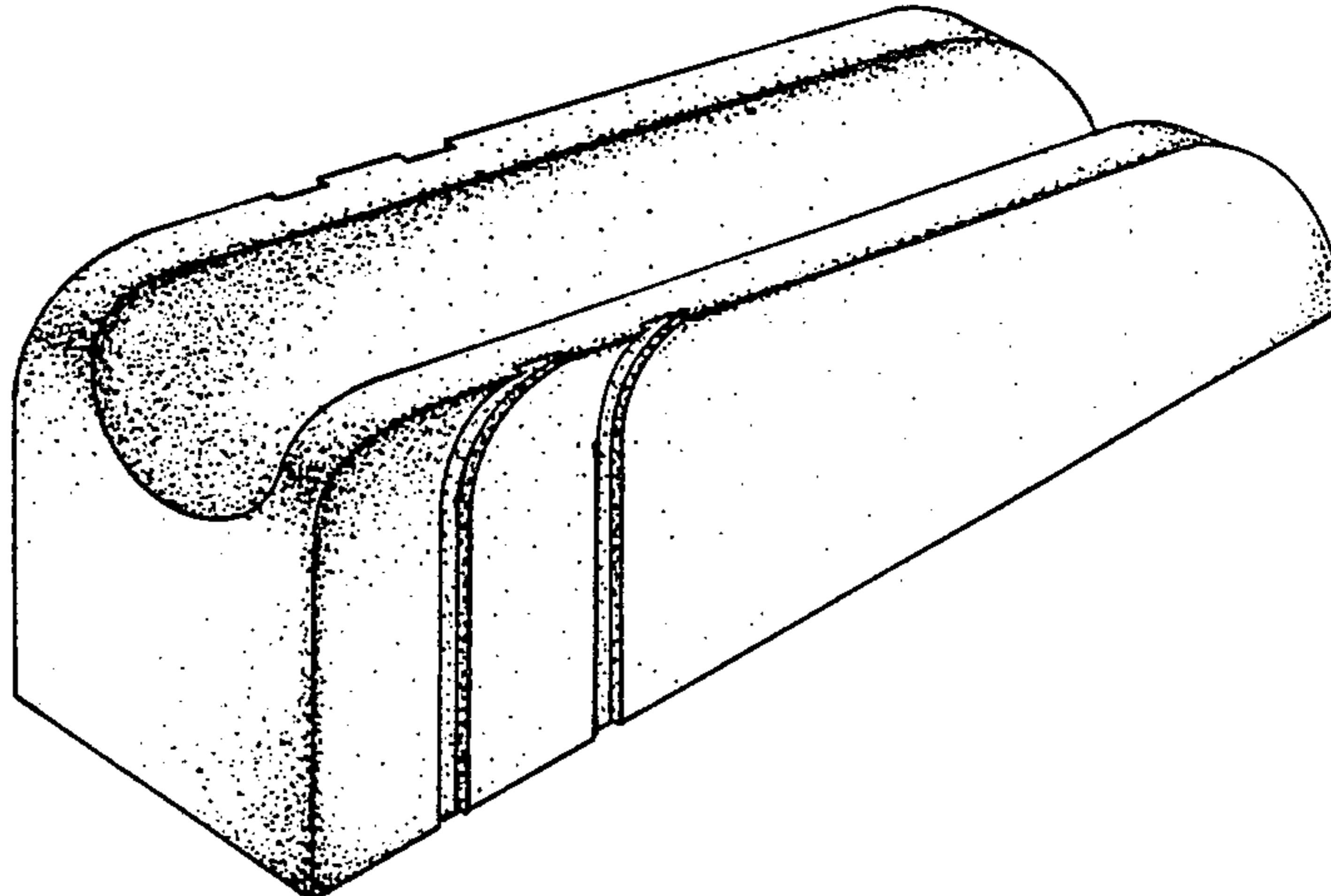


Fig. 1.

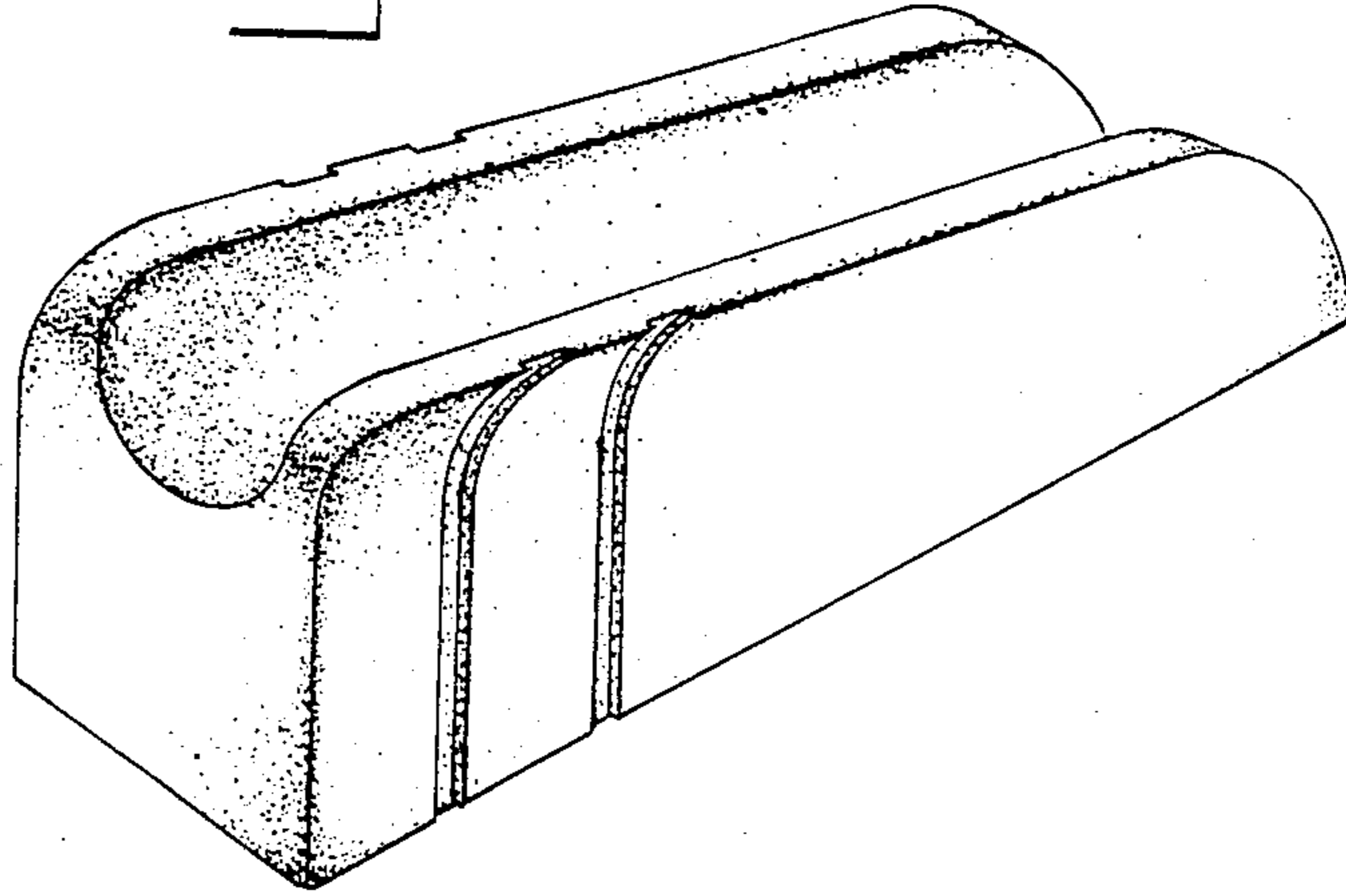


Fig. 2.

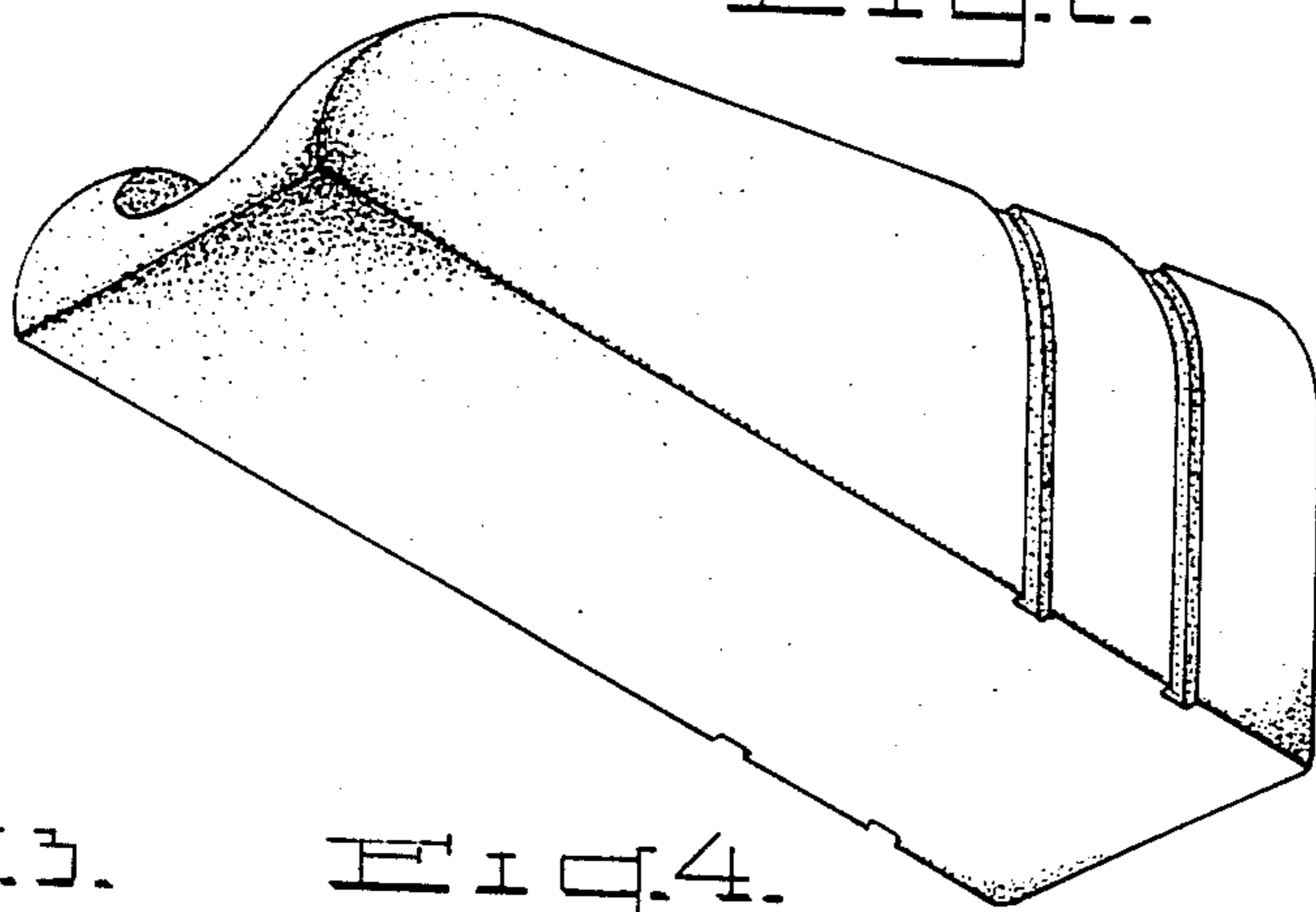


Fig. 3.

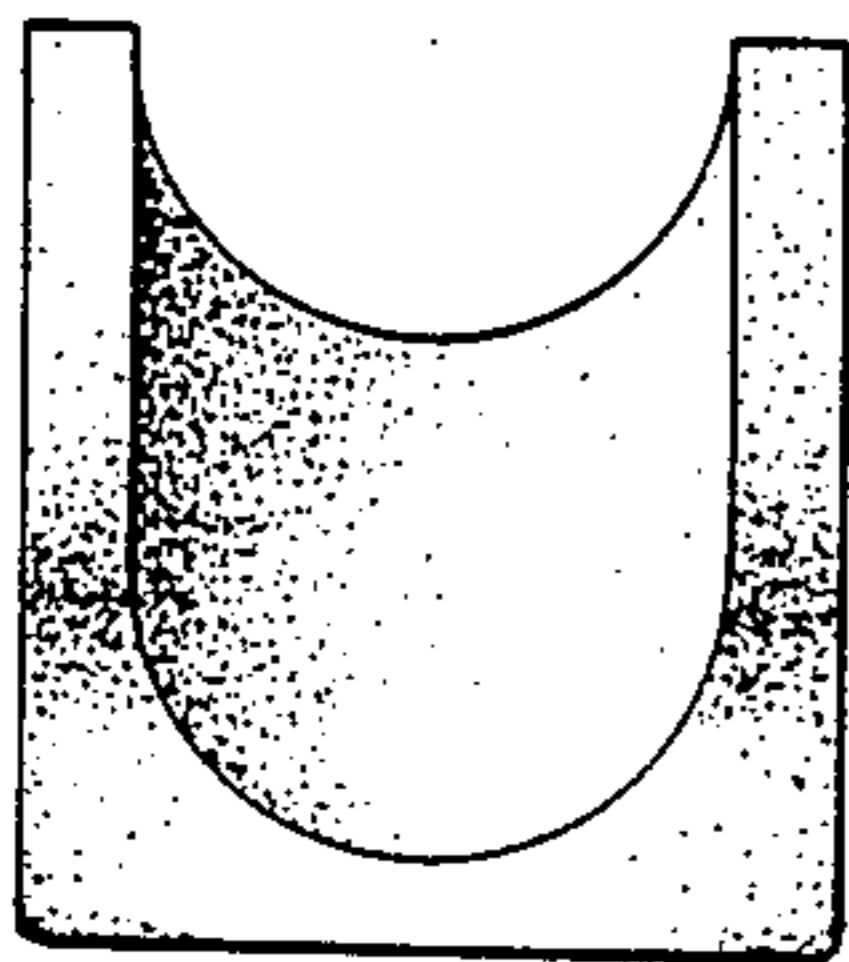


Fig. 4.

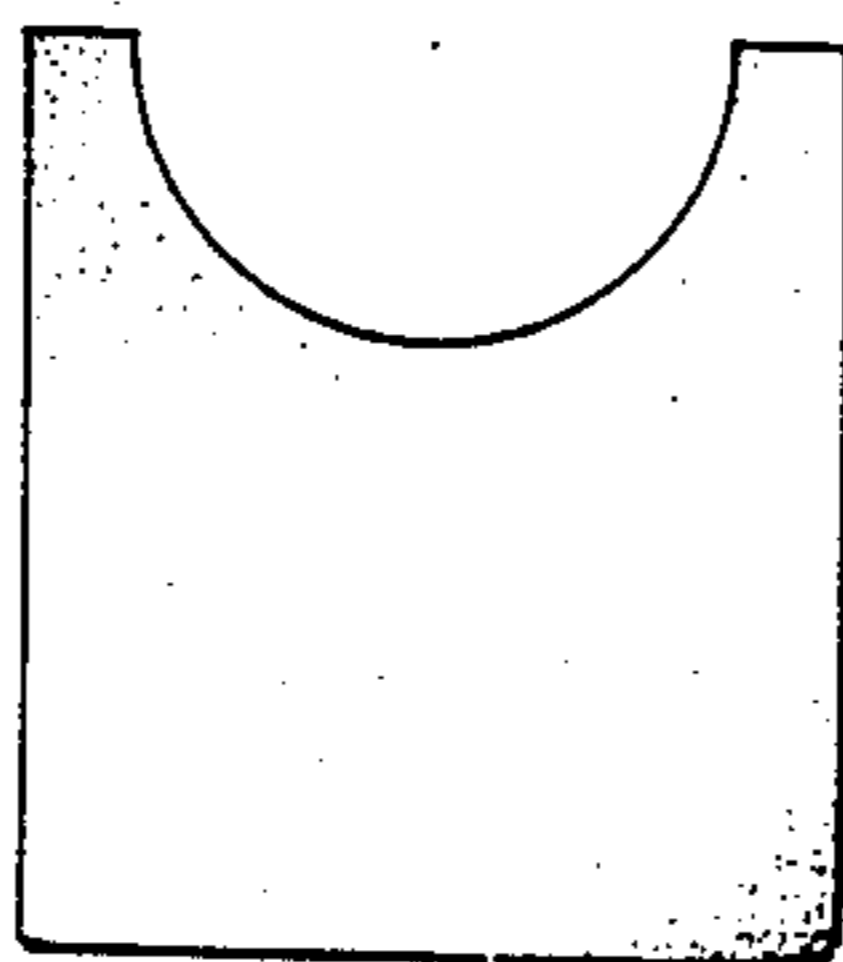


Fig. 5.

