

[54] MASSAGER

[75] Inventors: Yoshimasa Yokoyama, Koganei; Kiyonori Furukawa, Fukuoka; Maki Fujisawa, Tokyo, all of Japan

[73] Assignee: Kyusyu Hitachi Maxell, Ltd., Fukuoka, Japan

[**] Term: 14 Years

[21] Appl. No.: 790,476

[22] Filed: Oct. 23, 1985

[52] U.S. Cl. D24/41; D24/40

[58] Field of Search D24/41, 40, 42, 36; 128/44, 56, 57, 62 R, 67; D28/49

[56] References Cited

U.S. PATENT DOCUMENTS

Re. 19,043	1/1934	Grison	128/62 R X
D. 43,807	4/1913	Safar	D24/41
D. 249,160	8/1978	Toyoda	D24/36
D. 263,998	4/1982	Oberheim	D24/41
2,298,157	10/1962	Phillips	128/62 R

Primary Examiner—A. Hugo Word
Assistant Examiner—Stella M. Reid
Attorney, Agent, or Firm—Antonelli, Terry & Wands

[57] CLAIM

The ornamental design for a massager, as shown and described.

DESCRIPTION

FIG. 1 is a front, top and right side perspective view of a massager showing our new design;
 FIG. 2 is a front elevational view thereof;
 FIG. 3 is a rear elevational view thereof;
 FIG. 4 is a right side elevational view thereof;
 FIG. 5 is a left side elevational view thereof;
 FIG. 6 is a top plane view thereof;
 FIG. 7 is a bottom plane view thereof;
 FIG. 8 is a front, top and right side perspective view thereof, the broken line showing of the cap is for illustrative purposes only and forms no part of the claimed design;
 FIG. 9 is a front, top and right perspective view thereof, the broken line showing of the gum-ball attachment is for illustrative purposes only and forms no part of the claimed design;
 FIG. 10 is a front, top and right side perspective view thereof, the broken line showing of the facial-pat attachment is for illustrative purposes only and forms no part of the claimed design; and
 FIG. 11 is a front, top and right side perspective view thereof, the broken line showing of the spot-tip attachment is for illustrative purposes only and form no part of the claimed design.

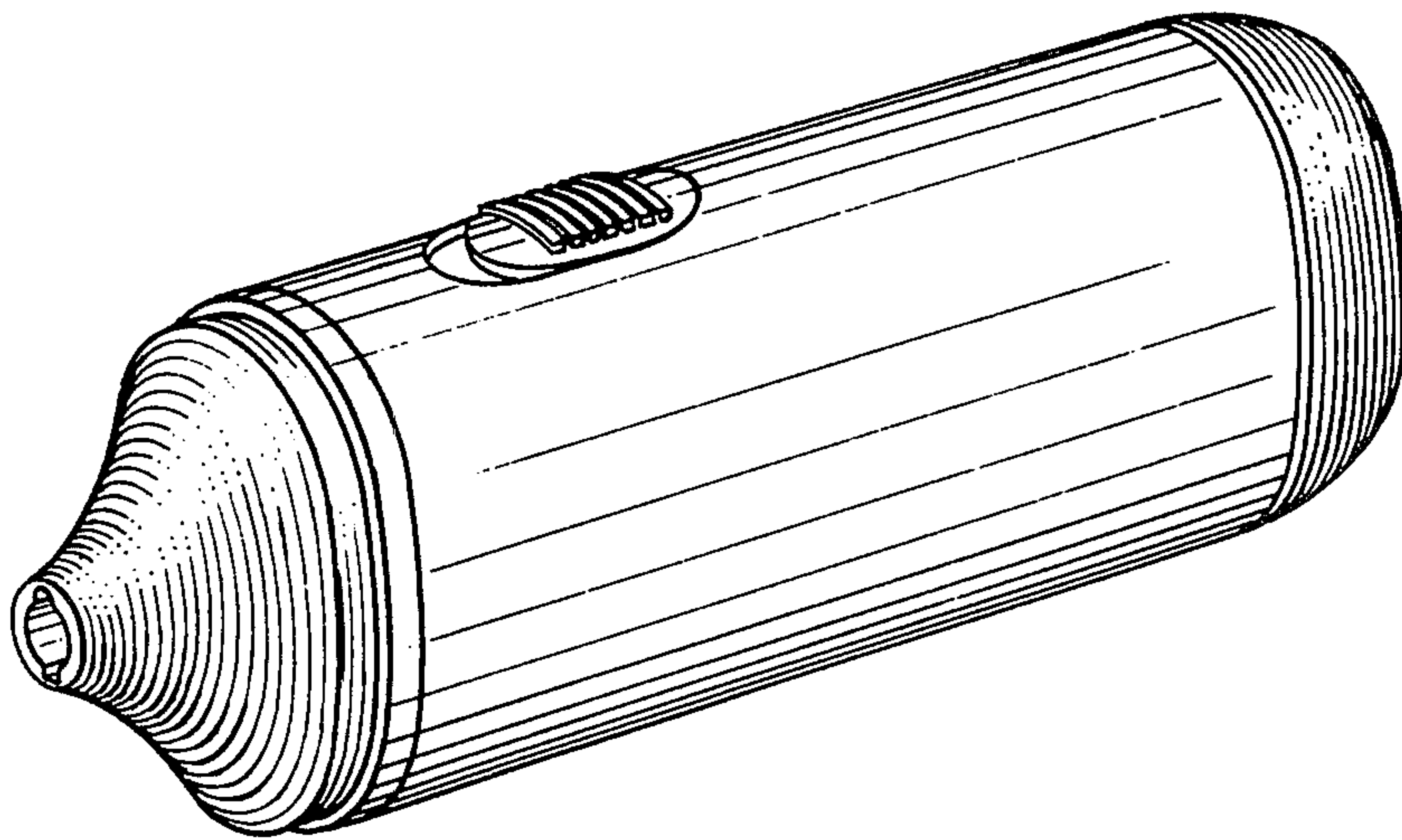


FIG. 1

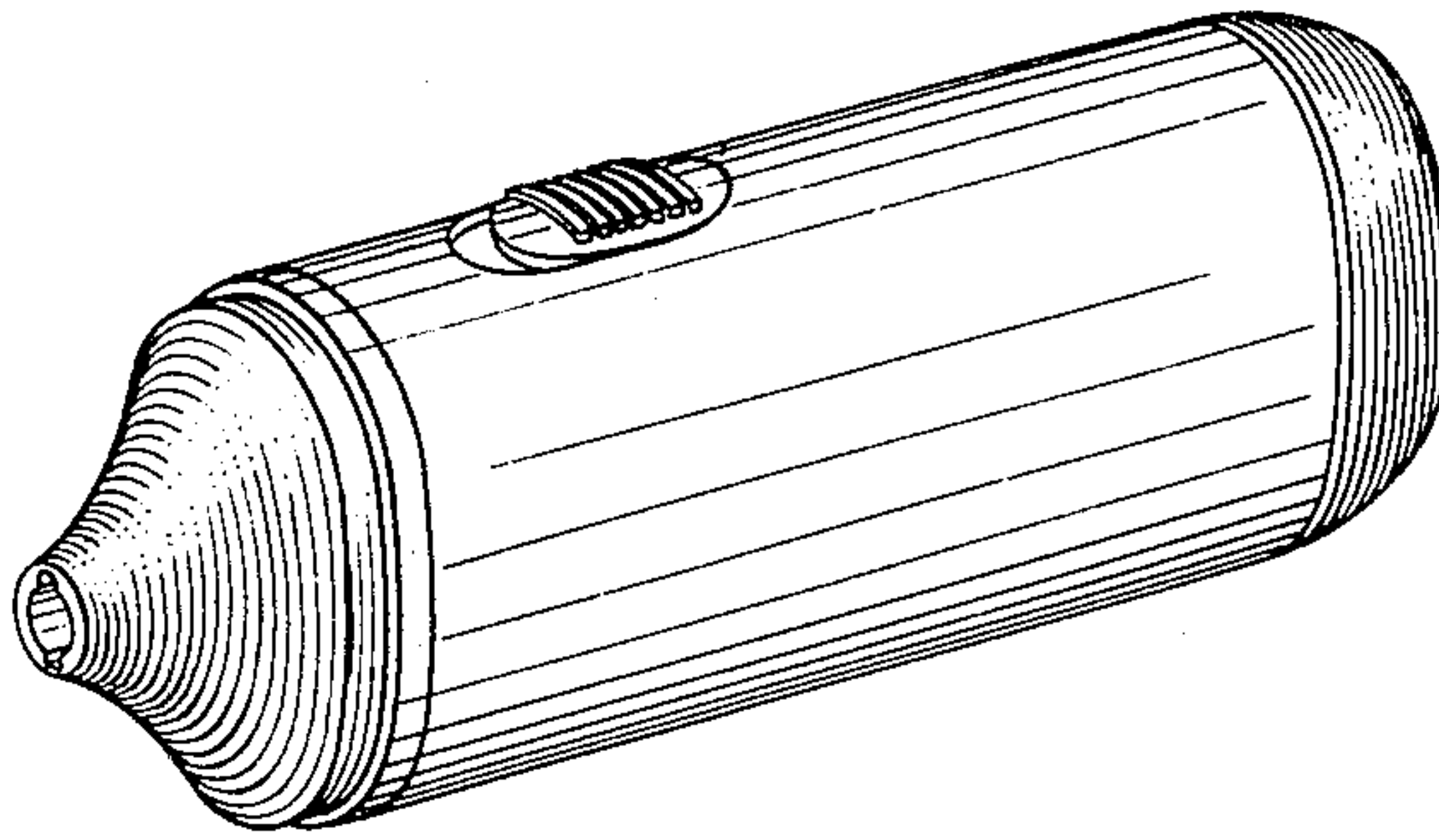


FIG. 2

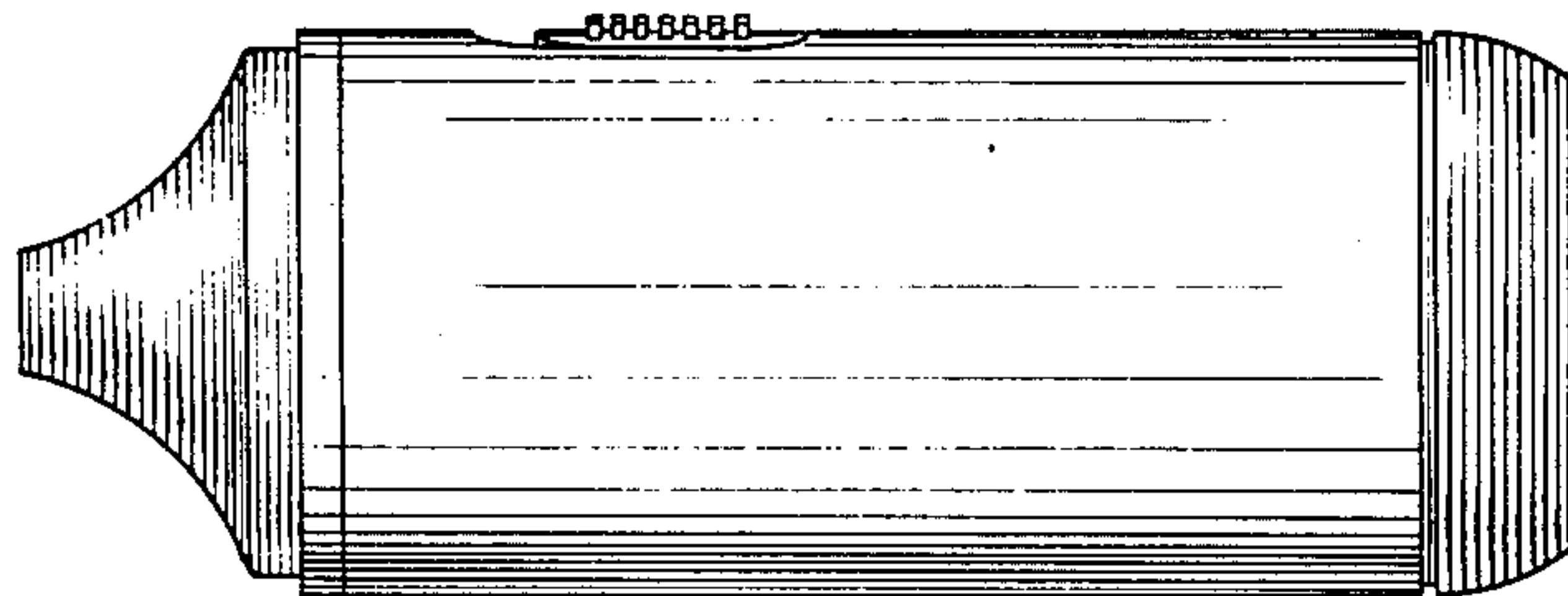


FIG. 3

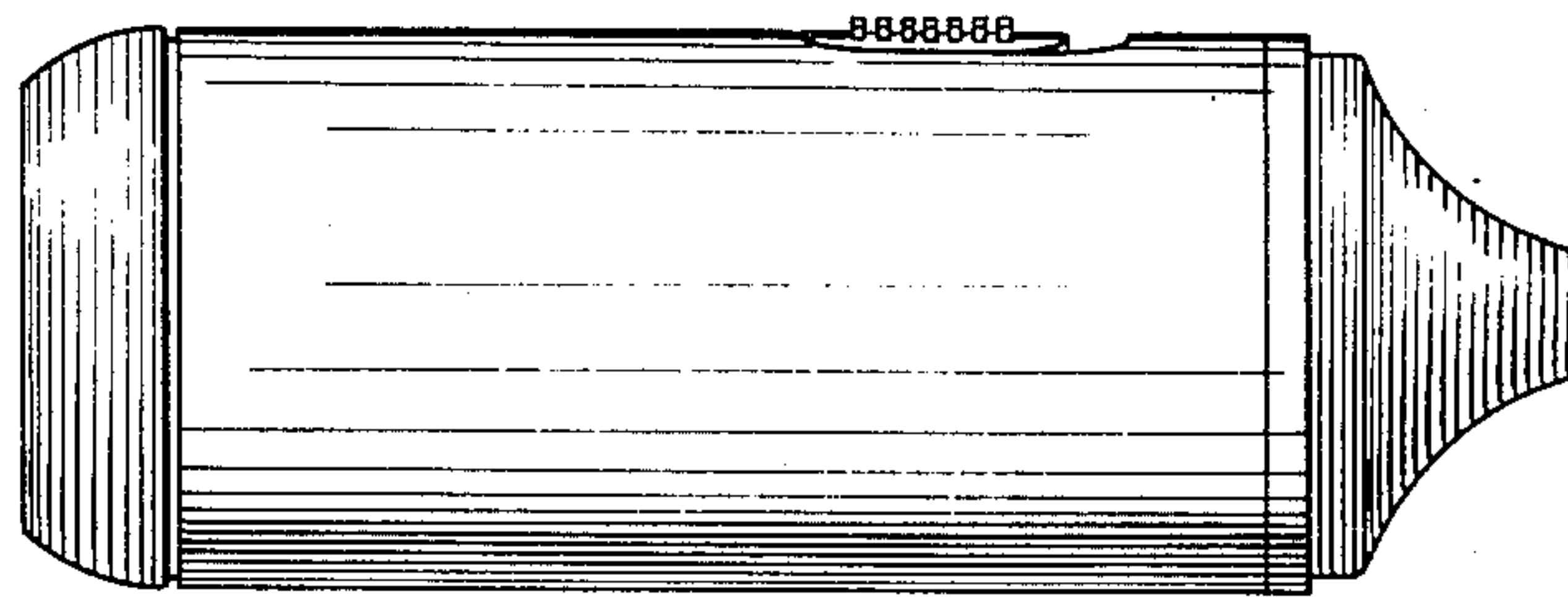


FIG. 4

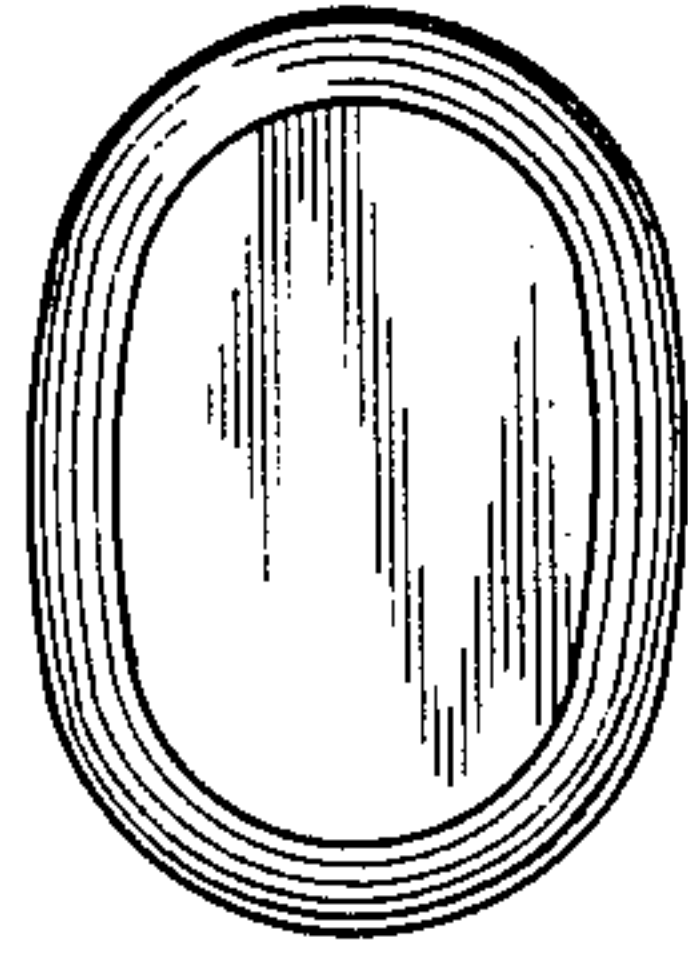


FIG. 5

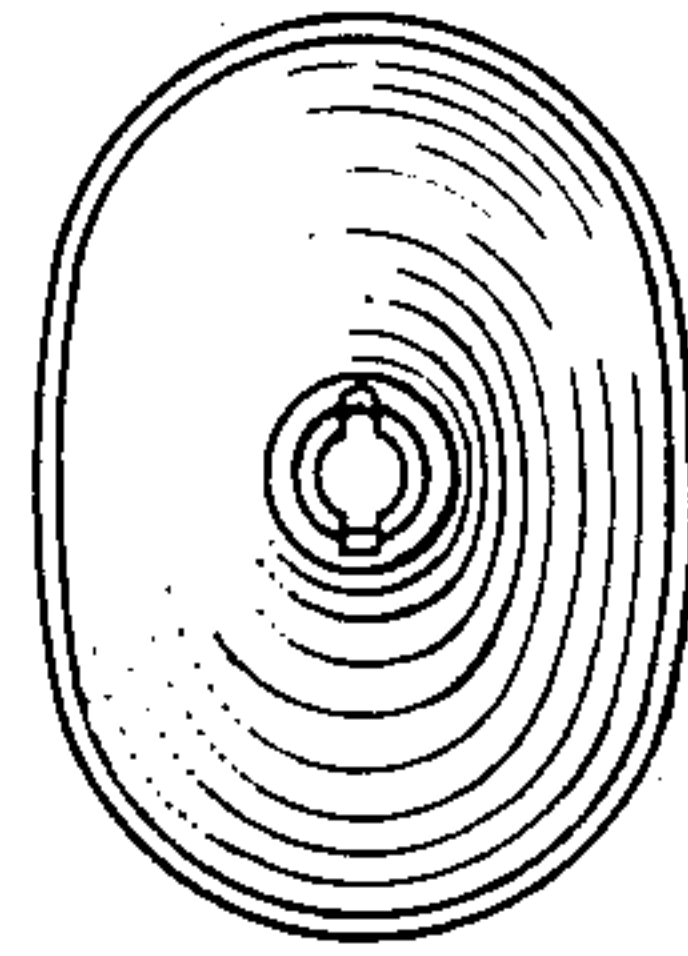


FIG. 6

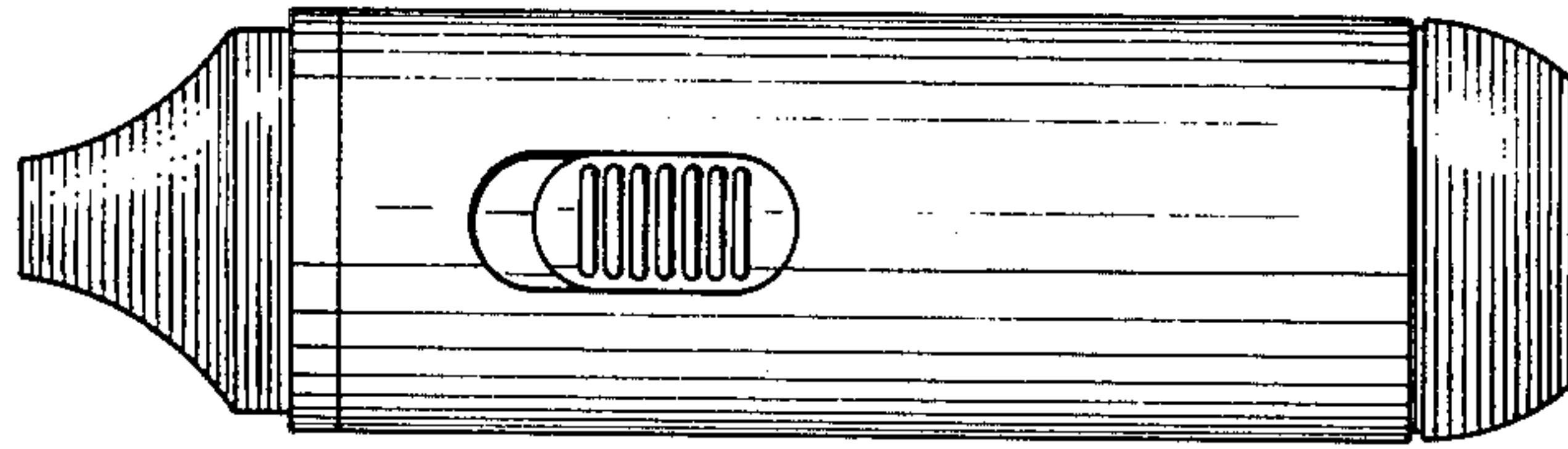


FIG. 7

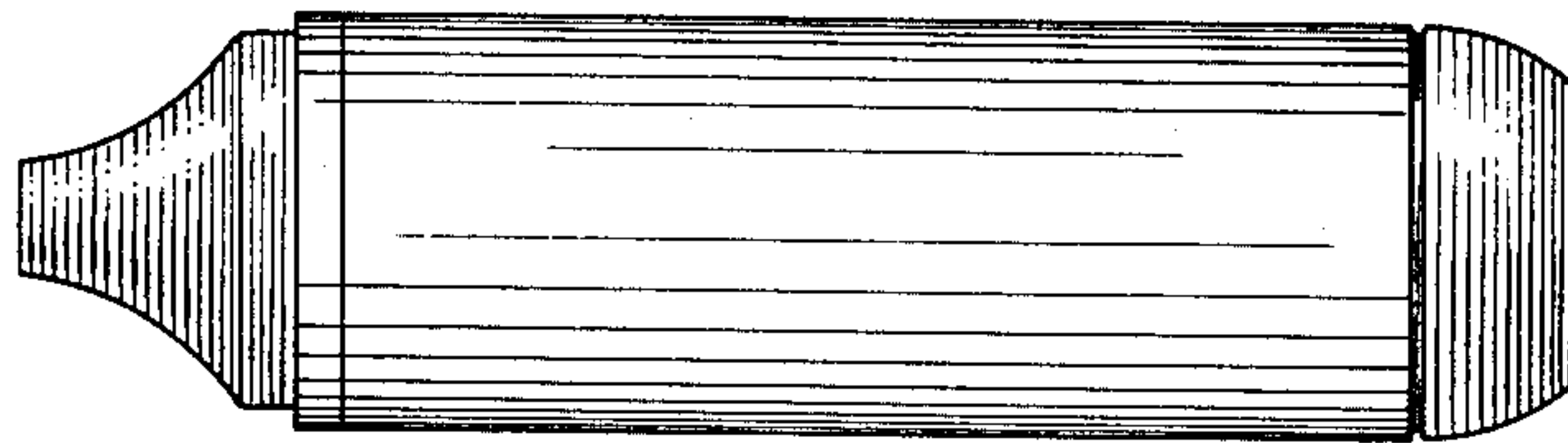


FIG. 8

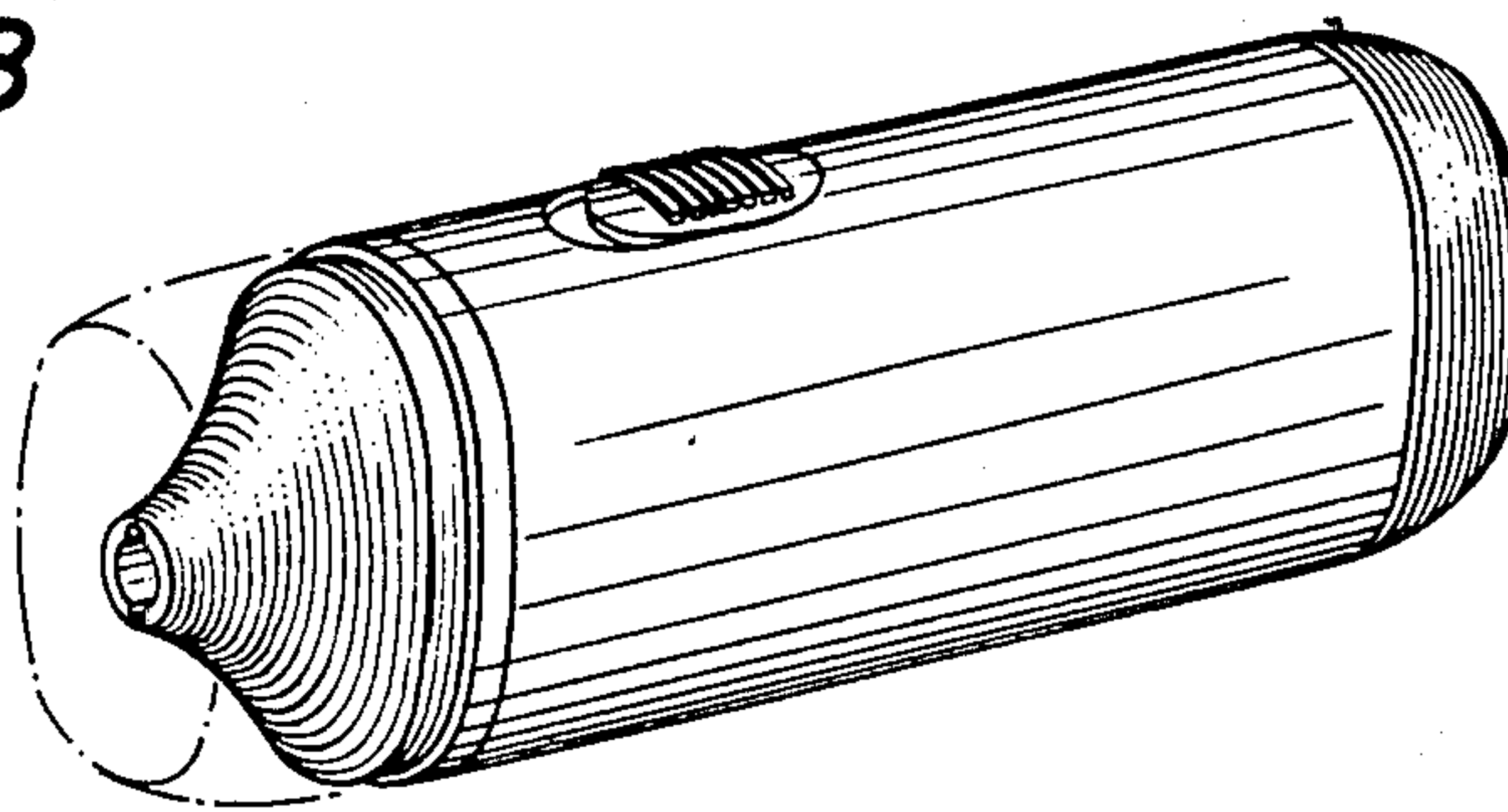


FIG. 9

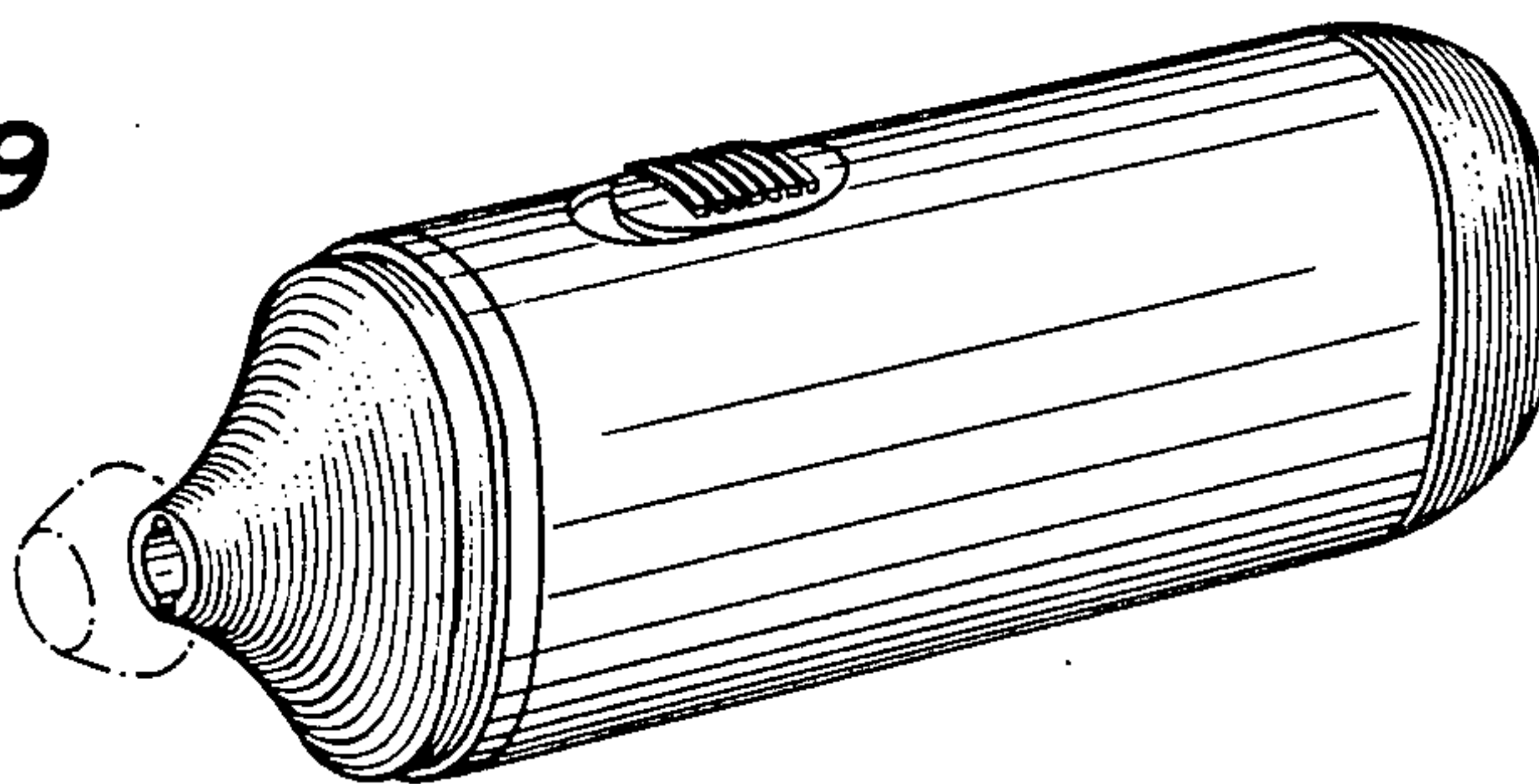


FIG. 10

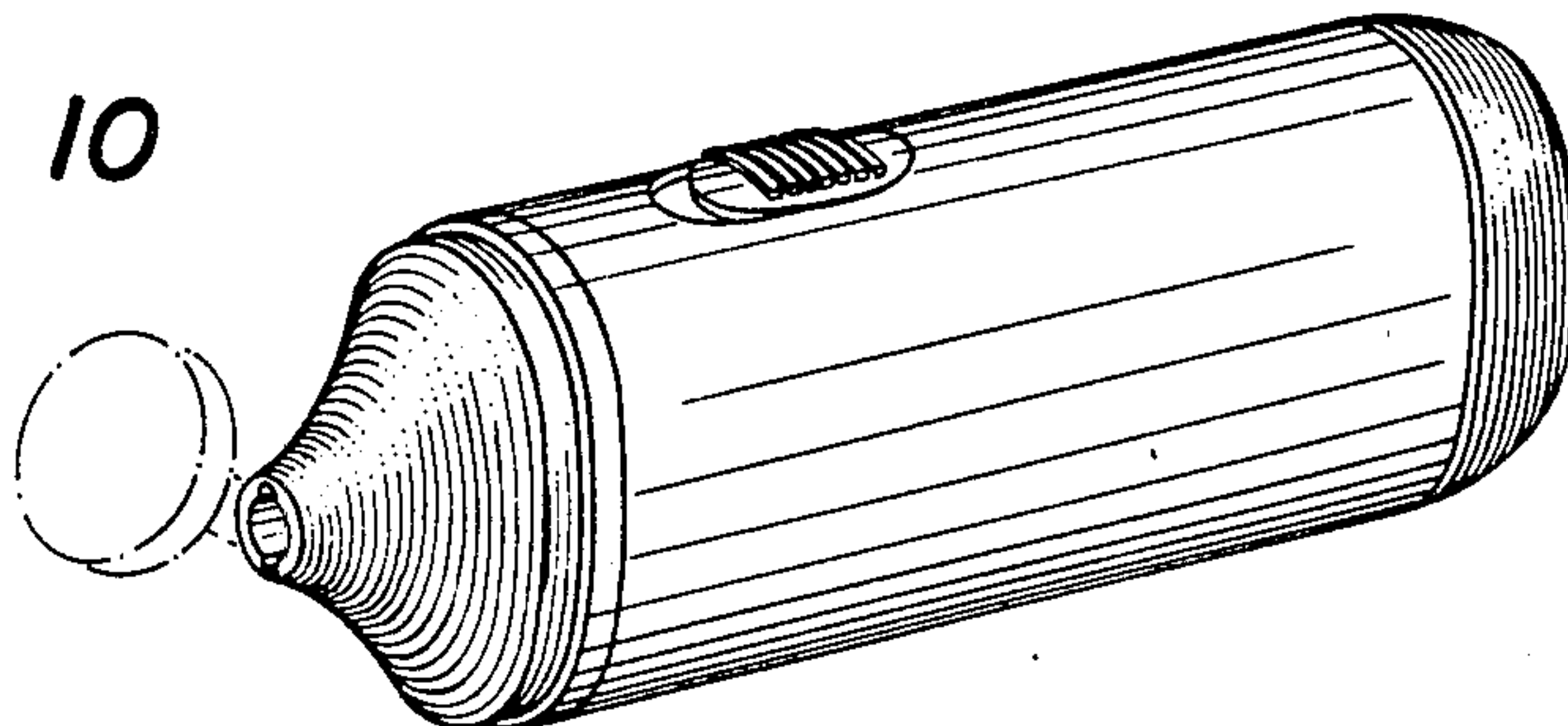


FIG. 11

