

[54] **GATE VALVE**  
[76] **Inventor: Willard E. Kemp, 16203 Park Row,  
Suite 120, Houston, Tex. 77084**  
[\*\*] **Term: 14 Years**  
[21] **Appl. No.: 771,425**  
[22] **Filed: Aug. 30, 1985**  
[52] **U.S. Cl. .... D23/244**  
[58] **Field of Search ..... D23/233-236,  
D23/244-249; 251/326-329**

3,889,925 6/1975 Brooks ..... 251/327  
3,929,316 12/1975 Guthrie ..... 251/328 X  
4,043,535 8/1977 Freeman et al. .... 251/329  
4,340,204 7/1982 Herd ..... 251/327  
4,588,164 5/1986 Kemp ..... 251/327

*Primary Examiner*—James R. Largen  
*Attorney, Agent, or Firm*—Vaden, Eickenroht,  
Thompson & Boulware

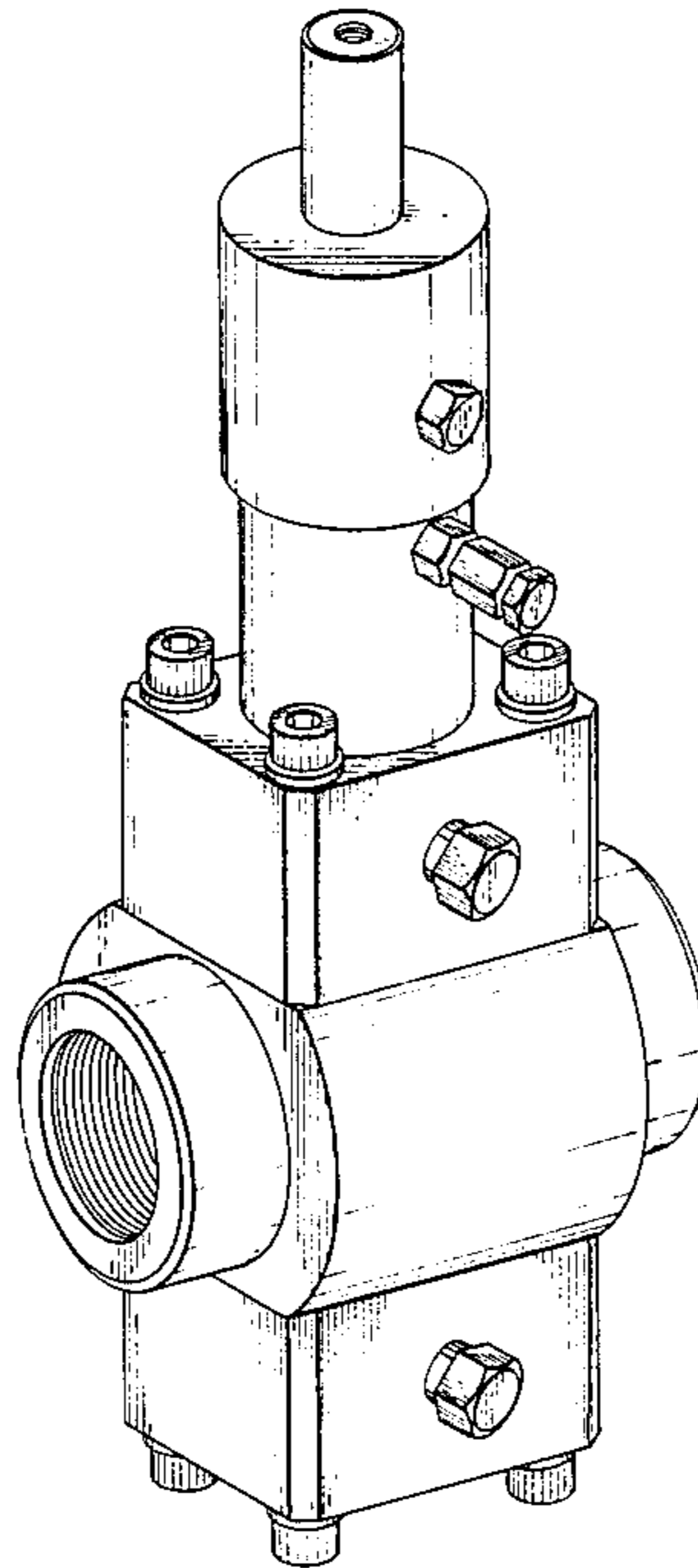
[57] **CLAIM**

The ornamental design for a gate valve, as shown.

[56] **References Cited**  
**U.S. PATENT DOCUMENTS**  
D. 179,791 2/1957 Williams ..... D23/244  
D. 291,724 9/1987 Kemp ..... D23/244  
3,063,079 11/1962 Bergman et al. .... 251/326 X  
3,215,157 11/1965 Anderson et al. .... 251/327  
3,533,598 10/1970 Tillman, III ..... 251/327  
3,557,822 1/1971 Chronister ..... 251/328 X

**DESCRIPTION**

FIG. 1 is a perspective view taken from the top, front and left side of a gate valve showing my new design; FIG. 2 is a front elevational view thereof; FIG. 3 is a top plan view thereof; FIG. 4 is a left side elevational view thereof; FIG. 5 is a right side elevational view thereof; and FIG. 6 is a bottom plan view thereof.



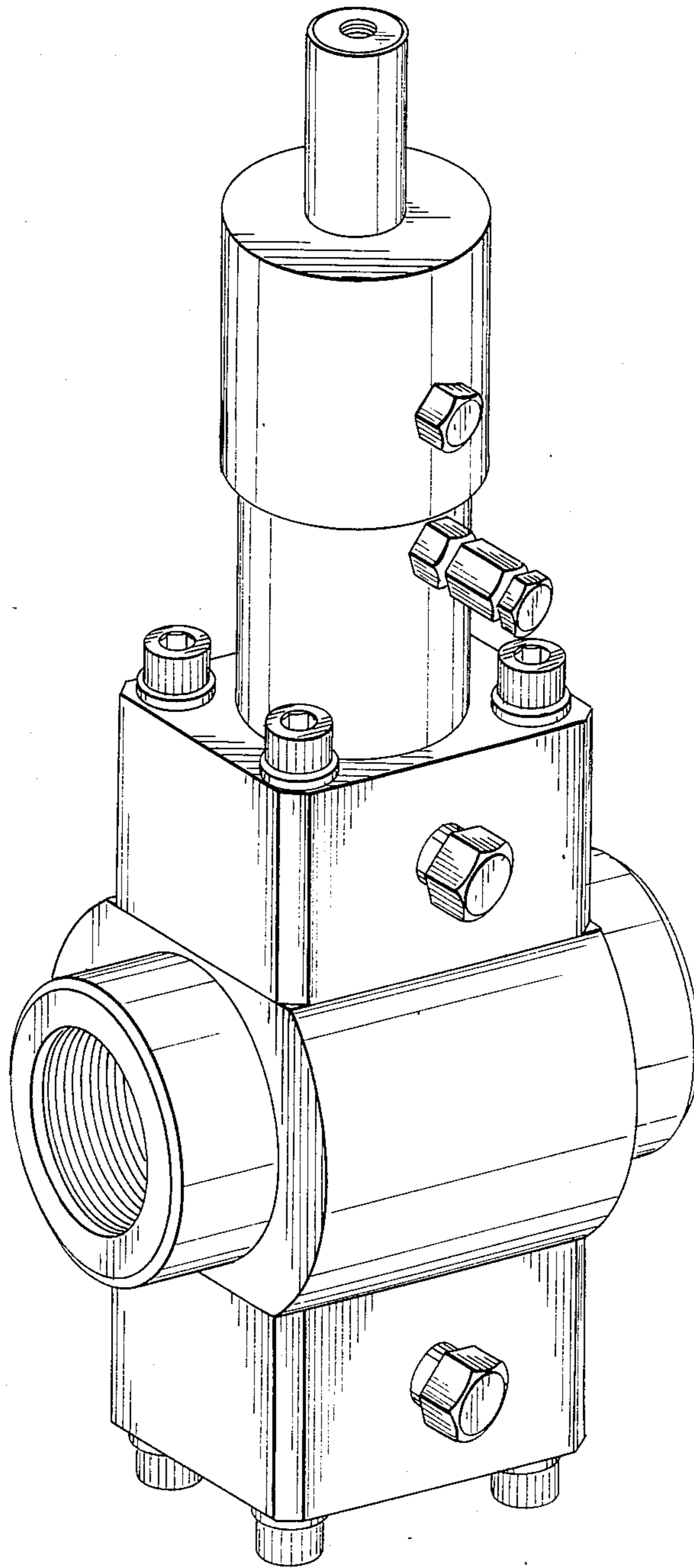


FIG. 1

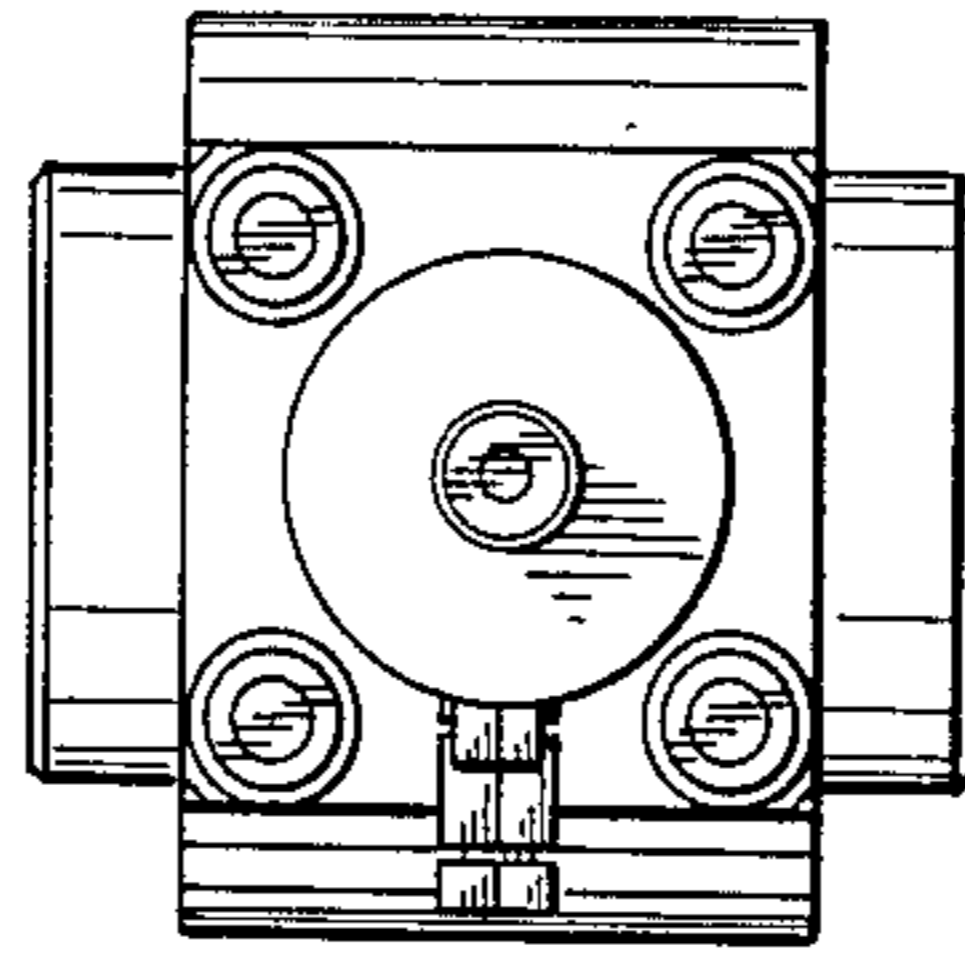


FIG. 3

FIG. 4

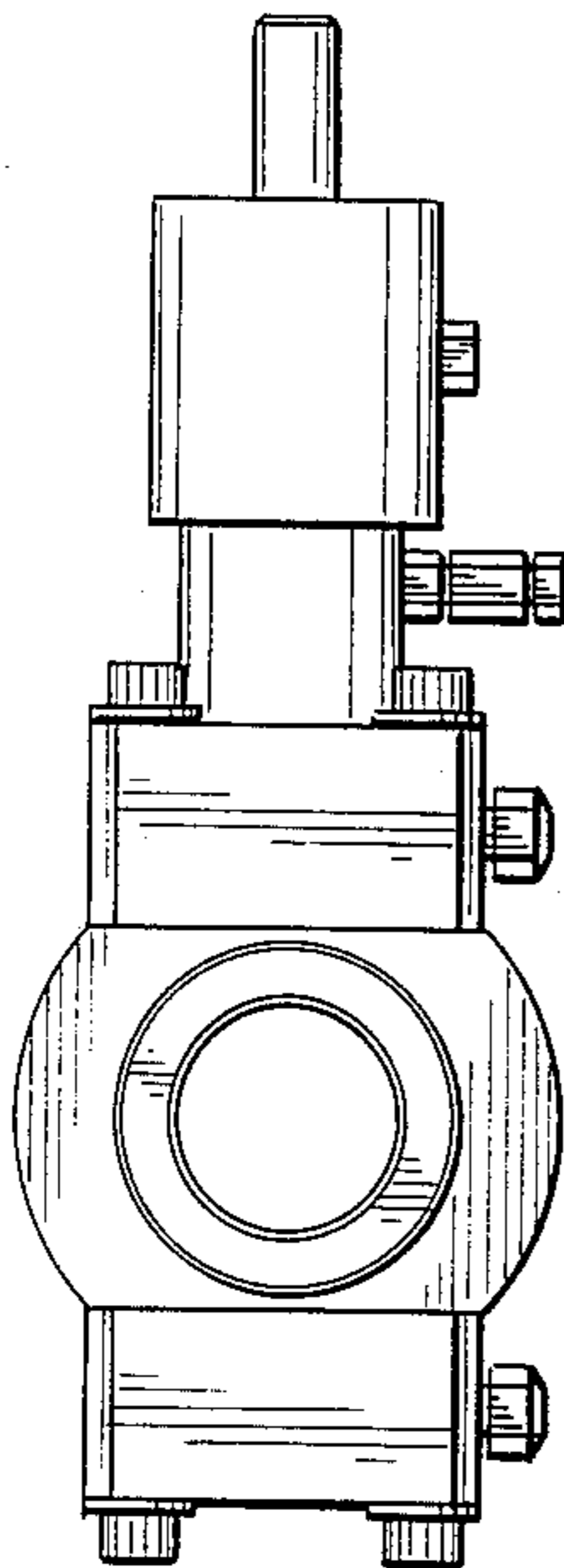


FIG. 2

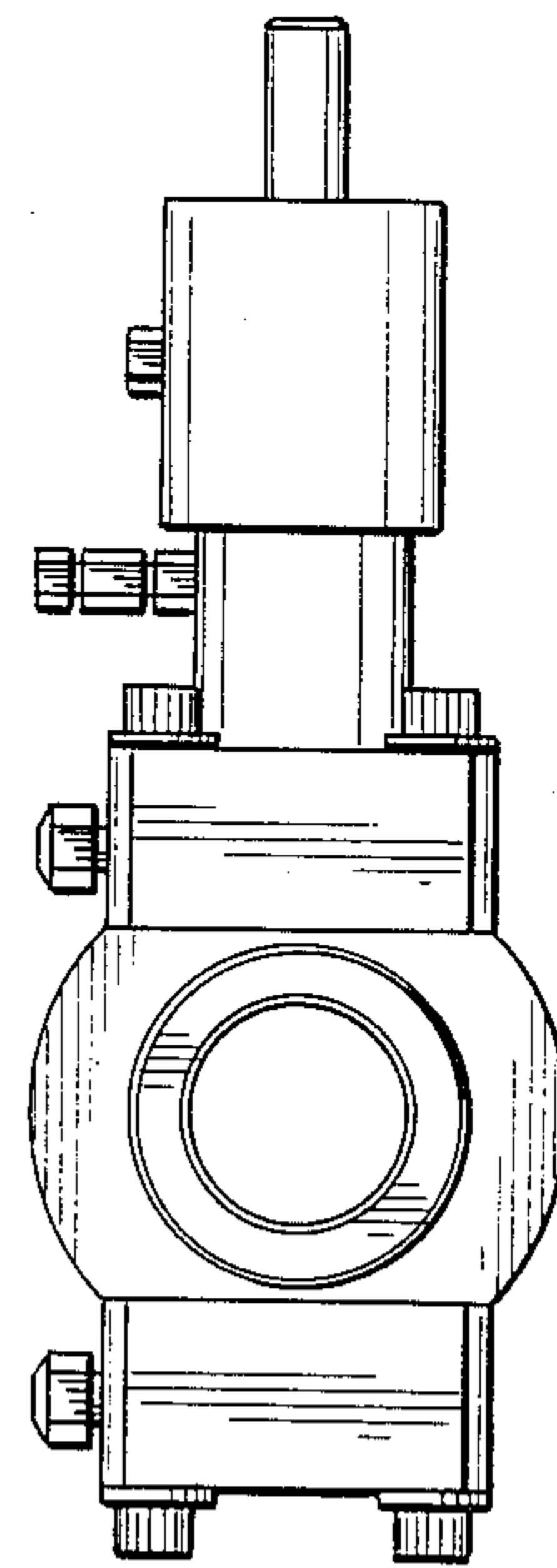
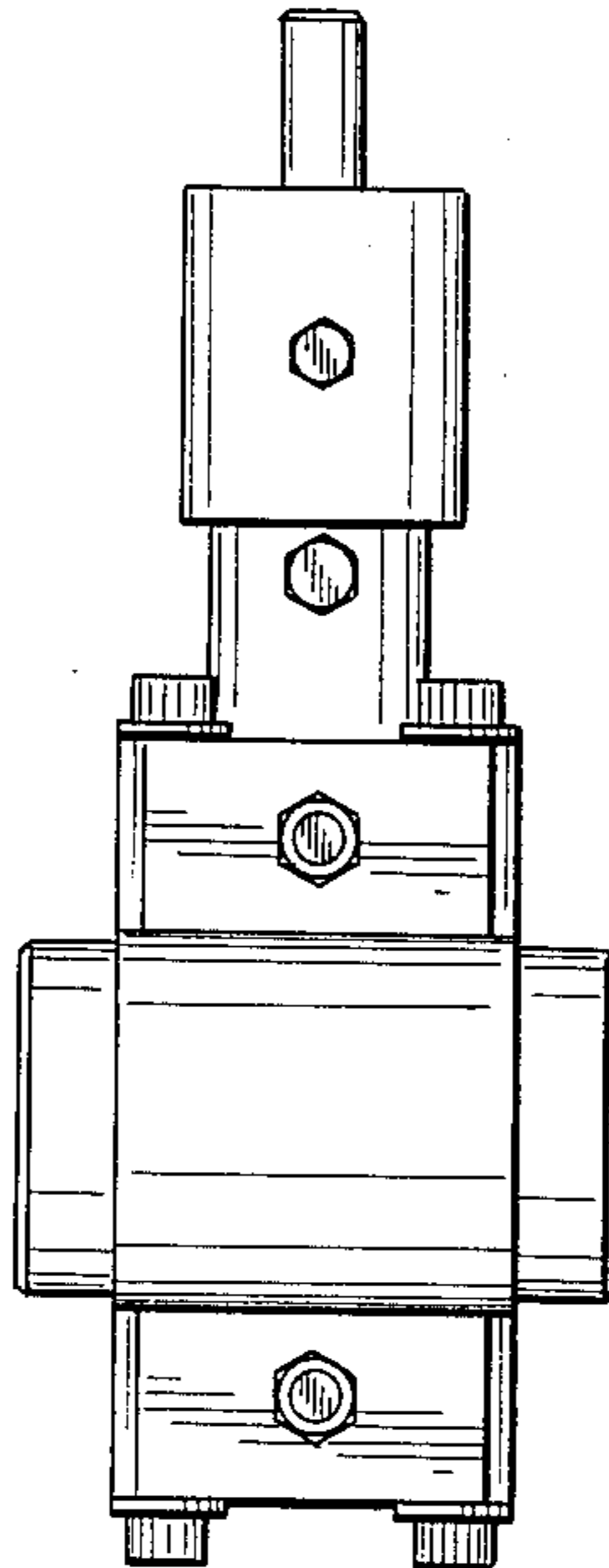


FIG. 5

FIG. 6

